

# Instructions

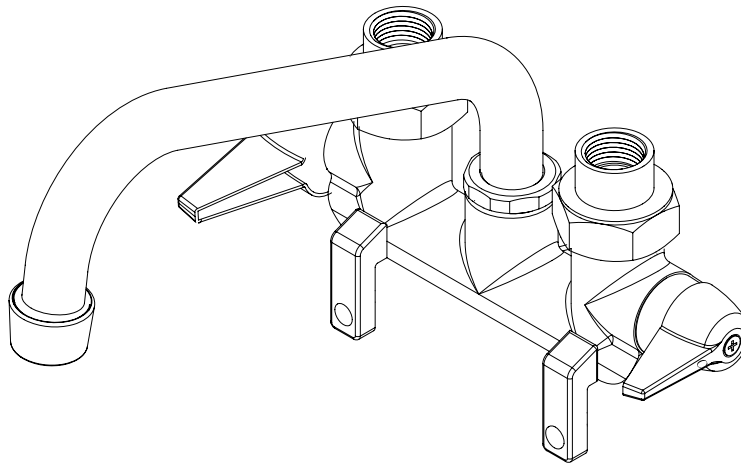
3310-250-RB-B – Rough Brass  
FLTQTRW313PH-Z – Rough Brass  
FLTQTRW313PL-Z – Rough Brass



## Certifications



## Laundry Tray Faucet



\*Image may vary slightly from actual product

### Tools Required

Adjustable Wrench  
Groove Joint Pliers  
Pipe Wrench  
Phillips Screwdriver  
Pipe Tape or Pipe Thread Compound  
Mounting Block



### Safety Tips

If you solder the joints during installation of the faucet, the seats, cartridges, and washers must be removed before using a flame or the warranty will be voided on these parts.

Protect your eyes with safety glasses when cutting or soldering water supply lines.

Cover the sink drain to avoid losing parts.

### Things You May Need

Installations may vary depending on how the previous faucet was installed. Supplies necessary for the installation of your faucet are not all included; however, they are available wherever plumbing supplies are sold.

### Maintenance

Your new laundry faucet is designed for years of trouble-free performance.

Keep it looking new by cleaning it periodically with a soft cloth. Avoid abrasive cleaners, steel wool, and harsh chemicals as these will dull the finish and void your warranty.

### Important Points

Prior to beginning installation, turn off the hot and cold water lines, then turn on the old faucet to release built-up pressure. When installing your new faucet, turn the connector nuts finger tight, then use one wrench to hold the fitting and a second wrench to tighten the nut. Connections that are too tight will reduce the integrity of the system.

Wrap all threaded connections with PTFE pipe tape or pipe thread compound available at your local hardware or plumbing supply store. Always wrap in a clock-wise direction.

### Contact Us

For Customer Service please call 877-319-3757, or go to [homeworksww.com](http://homeworksww.com).

# Instructions

3310-250-RB-B – Rough Brass  
FLTQTRW313PH-Z – Rough Brass  
FLTQTRW313PL-Z – Rough Brass



## Certifications

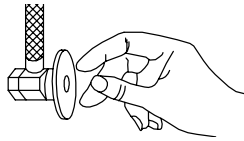


## Laundry Tray Faucet

### Preparation and Assembly

#### STEP 1

Turn off water at the supply valve under the sink or at the main water supply, disconnect the supply line and remove old faucet. Clean and dry surface area where the faucet will be mounted.



#### STEP 2

Mount the faucet to the laundry sink either directly or using a mounting block (not included).

The two (2) mounting tabs should face the FRONT of the laundry tub (over the basin), the single tab should face the rear of the basin.

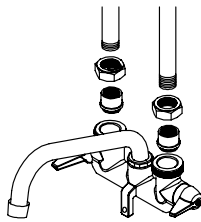
#### STEP 3

Attach the supply lines to the faucet. Cold to the right side, hot to the left.

Slide the union nuts over the supply lines.

Install the union tailpieces to each supply line.

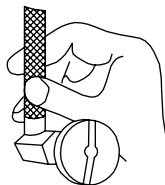
If soldering the supply lines, remove the rubber O-rings from the union tailpiece, solder, and replace when cool. If threading, cover all male threads with thread sealant tape (wrapped clockwise), or pipe joint compound. Attach firmly but do not over tighten.



#### STEP 4

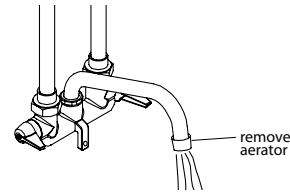
Reconnect the water supply line.

Turn water supply or shut off valve back on and check for leaks.



#### STEP 5

Remove aerator from spout. Turn on faucet and run at least 30 seconds to flush out water line. Turn off faucet and replace aerator.



### Instructions for Changing Hose Thread Aerator

Turn off water at handles.

1. Use an adjustable plier to grasp the aerator housing while holding the spout with your other hand.
2. Rotate aerator to the left to loosen.
3. Remove aerator with fingers.
4. Thread hose aerator onto spout making sure washer is in place.
5. Tighten hose aerator by turning aerator to the right while holding the spout in place. Do not over tighten.
6. Turn water on at handles, faucet will work as normal with the hose thread aerator in place.

### To Connect Hose

Use a standard 3/4" hose thread connector to attach the hose to the threaded aerator, making sure the hose washer is in place. Tighten by turning the hose connector to the right. Do not over tighten.

If leaking occurs you can tighten the hose aerator more.

When removing the hose make sure water is turned off at the faucet and that you have allowed the hose to drain. On a long hose some water may remain in the hose and drain out when you remove the hose.

### Instructions for Use

Adjust water to proper temperature by turning on the hot and cold water valves. Swivel faucet spout as needed to add and remove items from the laundry tub.

Do not hang items like pails or buckets from the spout.

# Troubleshooting

3310-250-RB-B – Rough Brass  
FLTQTRW313PH-Z – Rough Brass  
FLTQTRW313PL-Z – Rough Brass



## Certifications



### Laundry Tray Faucet

#### Troubleshooting

**PROBLEM:** Leaks underneath handle.

**CAUSE:** Bonnet has come loose or O-ring on cartridge is dirty or twisted.

**ACTION:**

1. Move the handle to the off position. Unscrew the handle screw and remove the handle.
2. Tighten the bonnet by turning it clockwise. Move the cartridge stem to the on position. The leak should stop draining out from around the cartridge stem.
3. If the leak does not stop, shut off the water supply. Remove the bonnet by turning it counter-clockwise. Lift out the cartridge valve. Inspect the larger O-ring on the cartridge bonnet and the smaller O-ring on the cartridge stem. Remove any debris from the O-rings. If either O-ring is twisted, straighten it out. If either O-ring is damaged, replace the cartridge by calling Customer Service.
4. Position the cartridge back into the faucet body. Make sure the ridges on the two sides of the cartridge bonnet fit into the grooves on the two sides of the faucet body. Tightly screw the bonnet onto the faucet body.
5. Re-install the handle.

**PROBLEM:** Water does not completely shut off.

**CAUSE:** Rubber valve seat is dirty, stuck, or broken.

**ACTION:**

1. Shut off the cold water supply. If leak stops, the problem is on the cold side. If leak continues, the problem is on the hot side. Shut off the hot water supply to determine if both the cold and hot side have a problem.
2. Remove the handle on the problem side. Loosen the bonnet by turning it counter-clockwise. Lift out the cartridge assembly.

3. Inspect the rubber valve seat in the faucet body. If there is debris or brass scrap on the surface of the seat, remove it. If the rubber seat is stuck tightly in the water inlet hole, push it gently with a fingertip so that it moves up and down smoothly. The spring (smaller end up) must be replaced underneath the valve seat. If the rubber valve seat is worn out or broken, replace the cartridge by calling Customer Service.
4. Replace the cartridge in the faucet body. Make sure that the ridges on the two sides of the cartridge bonnet fit into the grooves on the two sides of the faucet body. Tightly screw the bonnet onto the faucet body.
5. Re-install the handle.

**PROBLEM:** Faucet leaks around aerator.

**CAUSE:** Aerator incorrectly fitted.

**ACTION:**

1. Unscrew the aerator by turning it clockwise. Inspect the black rubber packing inside the aerator. The rubber packing should be flat.
2. Screw the aerator onto the spout end and tighten.

**PROBLEM:** Improper water pattern.

**CAUSE:** Aerator dirty or small parts inside aerator improperly installed.

**ACTION:**

1. Remove the aerator from the spout end by turning it clockwise.
2. Gently flush the small parts inside the aerator to clear away any debris.
3. Re-install the small parts as shown in the exploded diagram. Metal screens must be flat and plastic supporter must be straight.
4. Screw the aerator onto the spout end and tighten.

# Specifications



## Certifications

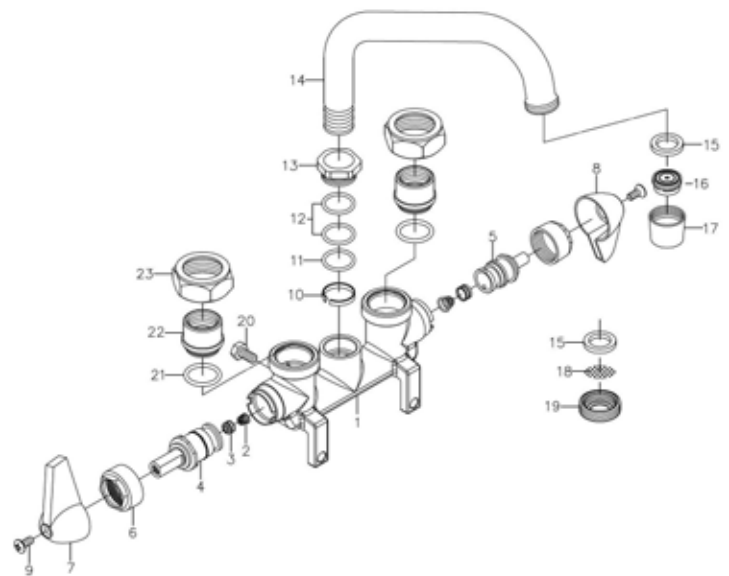


3310-250-RB-B – Rough Brass  
 FLTQTRW313PH-Z – Rough Brass  
 FLTQTRW313PL-Z – Rough Brass

### Physical Characteristics

- Description: Laundry tray faucet with hose thread aerator, 1/4-turn drip-free cartridge
- Clamp-on mounting (mounting block not included)
- 1/2" sweat or female threaded inlets
- Finish: Rough brass
- Max. Flow Rate of Aerator: 2.2 GPM (8.3 LPM) at 60 PSI
- Max. Flow Rate of Hose End: 4.0 GPM (15.1 LPM) at 20 PSI
- Meets ASME A112.18.1/CSA B125
- This product complies with 0.25% weighted average lead content on wetted surfaces.
- Total Weight of Item: 1.87 lbs.

No.	Part Description	Material
1	Body	Brass
2	Seat & spring kit	Stainless steel
3		Rubber
4	Cartridge – Hot	Brass/Teflon/NBR
5	Cartridge – Cold	Brass/Teflon/NBR
6	Retaining nut	Zinc alloy (CP)
7	Handle - hot	Zinc alloy (CP)
8	Handle - cold	Zinc alloy (CP)
9	Handle Screw	Brass (CP)
10	Spout assembly	POM
11		Rubber
12		Rubber
13		Brass
14		Brass
15	Aerator assembly	Rubber
16		POM/S.S.
17		Brass
18	Hose adaptor assembly	Stainless steel
19		Brass
20	Mounting block screw	Stainless steel
21	O-ring	Rubber
22	Union tailpiece	Brass
23	Union nut	Brass



# Rough-In

3310-250-RB-B – Rough Brass  
FLTQTRW313PH-Z – Rough Brass  
FLTQTRW313PL-Z – Rough Brass



## Certifications



### Laundry Tray Faucet

