

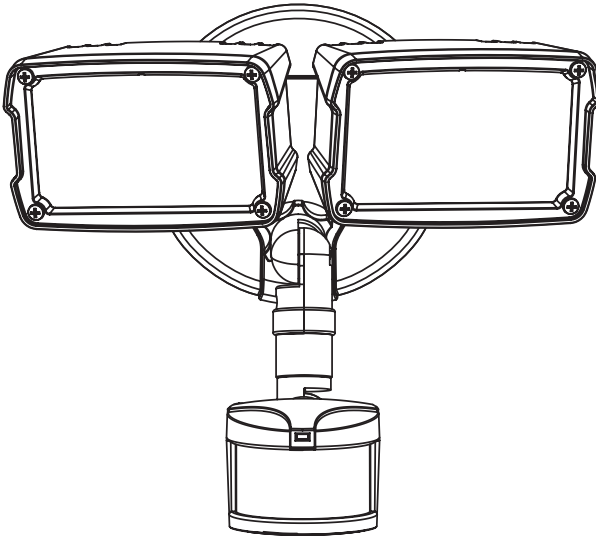
**DEFIANT®**

Item #625-057  
Model #MST18920LWDF

# USE AND CARE GUIDE

---

## 180° MOTION ACTIVATED LED FLOODLIGHT



Questions, problems, missing parts? Before returning to the store call  
Defiant® Customer Service  
8 a.m. - 6 p.m., EST, Monday-Friday

1-866-308-3976

HOMEDEPOT.COM

---

### THANK YOU

*We appreciate the trust and confidence you have placed in Defiant® through the purchase of this motion activated LED floodlight. We strive to continually create quality products designed to enhance your home. Visit us online to see our full line of products available for your home improvement needs. Thank you for choosing Defiant®!*

# Table of Contents

Table of Contents.....	2	Installation.....	7
Safety Information.....	2	Operation.....	8
Warranty.....	3	Feature Selection.....	9
Pre-Installation.....	4	Troubleshooting.....	9


# Safety Information

## WARNING

- Risk of fire/electric shock. If not qualified, consult an electrician.
- Disconnect power at fuse or circuit breaker before installing or servicing.

## CAUTION

- Connect fixture to a 120-volt, 60 Hz power source. (Any other connection voids warranty.)
- Fixture should be installed by persons with experience in household wiring or by a qualified electrician. The electrical system and the method of electrically connecting this fixture to it must be in accordance with the National Electrical Code and local building codes.
- Mount fixture to a grounded, recessed-mounted standard junction box marked for use in wet locations.
- Suitable for wall mount or eave mounting only. Not suitable for ground mount installation.
- For proper operation and protection against damage, the motion sensor head adjustment knobs must be facing the ground.
- Do not mount below 5 feet.
- MINIMUM 75°C SUPPLY CONDUCTORS.
- This device complies with Part 15 of the FCC Rules. Operation is subject to the following two conditions: (1) This device may not cause harmful interference, and (2) this device must accept any interference received, including interference that may cause undesired operation. Under Part 15 of the FCC Rules, any changes or modifications to the motion detector described in this instruction sheet that are not expressly approved by Cooper Lighting, LLC could void the user's authority to operate the equipment.

 NOTE: This equipment has been tested and found to comply with the limits for a Class B digital device, pursuant to Part 15 of the FCC Rules. These limits are designed to provide reasonable protection against harmful interference in a residential installation. This equipment generates, uses and can radiate radio frequency energy and if not installed and used in accordance with the instructions, may cause harmful interference to radio communications. However, there is no guarantee that interference will not occur in a particular installation. If this equipment does cause harmful interference to radio or television reception, which can be determined by turning the equipment off and on, the user is encouraged to try to correct the interference by one or more of the following measures:

- Reorient or relocate the receiving antenna.
- Increase the separation between the equipment and receiver.
- Connect the equipment into an outlet on a circuit different from that to which the receiver is connected.
- Consult the dealer or an experienced radio/TV technician for help.

 WARNING: FCC Regulations state that any unauthorized changes or modifications to this equipment not expressly approved by the manufacturer could void the user's authorization to operate this equipment.

# Safety Information (continued)

## IMPORTANT SAFETY INFORMATION

When using product, basic precautions should always be followed, including the following:

- Read and follow these instructions.
- Heed all warnings, including below warnings AND those included on product.
- Save these instructions and warnings.
- For outdoor use only.
- cULus LISTED for wet location.
- Disassembling your fixture will void the warranty.
- Your fixture is prewired and preassembled for easy installation.

## Warranty

The following warranty is exclusive and in lieu of all other warranties, whether express, implied or statutory including, but not limited to, any warranty of merchantability or fitness for any particular purpose.

Cooper Lighting, LLC (“Cooper Lighting”) warrants to customers that, for a period of two years from the date of purchase, Cooper Lighting’s products will be free from defects in materials and workmanship. The obligation of Cooper Lighting under this warranty is expressly limited to the provision of replacement products. This warranty is extended only to the original purchaser of the product. A purchaser’s receipt or other proof of date of original purchase acceptable to Cooper Lighting. This is required before warranty performance shall be rendered.

This warranty does not apply to Cooper Lighting products that have been altered or repaired or that have been subjected to neglect, abuse, misuse or accident (including shipping damages). This warranty does not apply to products not manufactured by Cooper Lighting which have been supplied, installed, and/or used in conjunction with Cooper Lighting products. Damage to the product caused by replacement bulbs or corrosion or discoloration of brass components are not covered by this warranty.


Limitation of liability: In no event shall Cooper Lighting be liable for special, indirect, incidental, or consequential damages (regardless of the form of action, whether in contract, strict liability, or in tort including negligence), nor for lost profits; nor shall the liability of Cooper Lighting for any claims or damage arising out of or connected with these terms or the manufacture, sale, delivery, use, maintenance, repair or modification of Cooper Lighting products, or supply of any replacement parts therefore, exceed the purchase price of Cooper Lighting products giving rise to a claim. No labor charges will be accepted to remove or install fixtures.

Contact the Customer Service Team at 1-866-308-3976 or visit [www.HomeDepot.com](http://www.HomeDepot.com).

# Pre-Installation

Before beginning assembly of product, make sure all parts are present. Compare parts with package contents list and hardware contents. If any part is missing or damaged, do not attempt to assemble the product.

Estimated Assembly Time: 30 minutes

 **Note:** Fixture should be installed by persons with experience in household wiring or by a qualified electrician. The electrical system and the method of electrically connecting this fixture to it must be in accordance with the National Electrical Code and local building codes.

- Install the motion sensor 8–12 feet above the ground. Motion sensor is less sensitive above 12 feet.
- Locate motion sensor so motion moves across detection zone.
- Locate sensor away from heat producing sources to prevent false triggering. Also be very careful not to include objects such as windows, white walls and water in the detection zone.
- Locate fixture away from moving objects such as trees and street traffic.
- Do not install more than one motion-activated floodlight on one wall switch.
- Fixture can be wall or eave mounted.
- Coverplate mounts to recessed mounted standard junction boxes. Junction box must be at least 1-1/2 inch in depth for proper installation for recessed mount application.

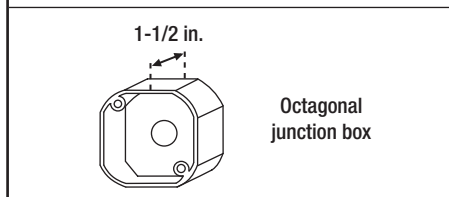
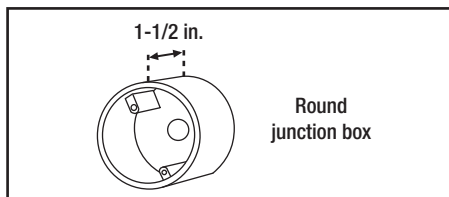
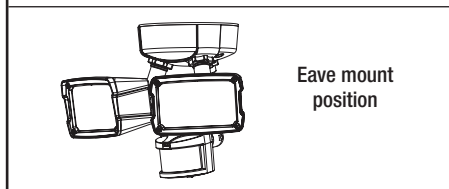
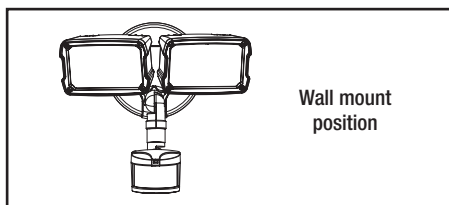
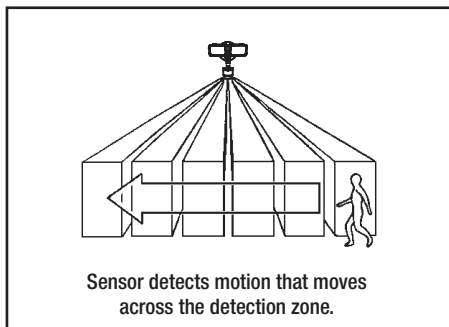
## REQUIRED ITEM (SOLD SEPARATELY):

- Clear weatherproof silicone caulk

## TOOLS REQUIRED



Philips  
screwdriver

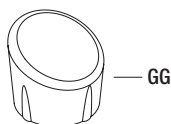
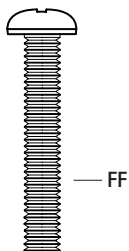
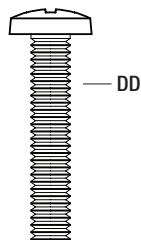
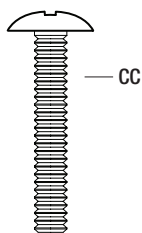
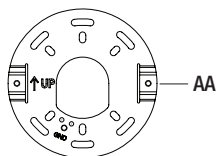


# Pre-Installation (continued)

## HARDWARE INCLUDED



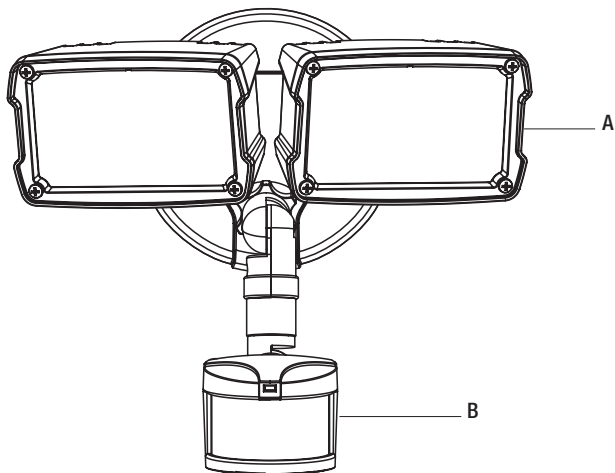
**NOTE:** Hardware shown to actual size.



Part	Description	Quantity
AA	Mounting bracket (not to scale)	1
BB	Gasket (not to scale)	1
CC	#6-32 x 3/4 in. junction box screw	2
DD	#8-32 x 3/4 in. junction box screw	2
EE	Wire nut	3
FF	#8-32 x 1-1/4 in. cover mounting screw	2
GG	Decorative screw cap cover	2

# Pre-Installation (continued)

## PACKAGING CONTENTS



Part	Description	Quantity
A	Light fixture	1
B	Motion sensor	1

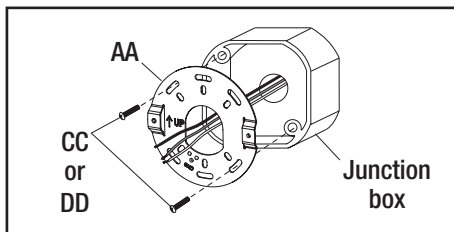
# Installation

## 1 Mounting the coverplate

- Line up the holes on the mounting bracket (AA) with the holes on your junction box. Using either (2) #6 screws (CC) or (2) #8 screws (DD) (depending on size of the holes in your junction box), attach the mounting bracket (AA) to your junction box.

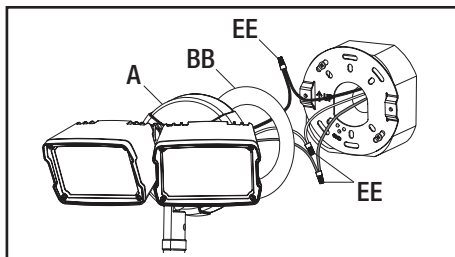


**WARNING:** Risk of electric shock. Disconnect power at fuse or circuit breaker before installing or servicing.



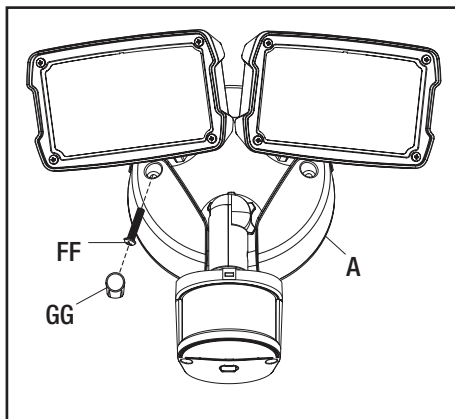
## 2 Wiring the fixture

- Thread fixture wires through coverplate gasket (BB).
- Connect fixture black wire to house black wire and fixture white wire to house white wire using wire nuts (EE) provided.
- Connect house ground wire and fixture ground wire to the mounting bracket (AA) using the green ground screw on the mounting bracket.



## 3 Mounting the fixture

- Attach fixture (A) to the mounting bracket (AA) using (2) #8 x 1-1/4 in. screws (FF) provided. Be sure no loose wires remain sticking out from underneath the coverplate. Insert the decorative screw cover caps (GG) into the screw holes on the coverplate for a finished appearance.
- Apply silicone caulk around the edges of the coverplate to provide a watertight seal from rain and moisture.
- Turn on power at the main fuse/breaker box.



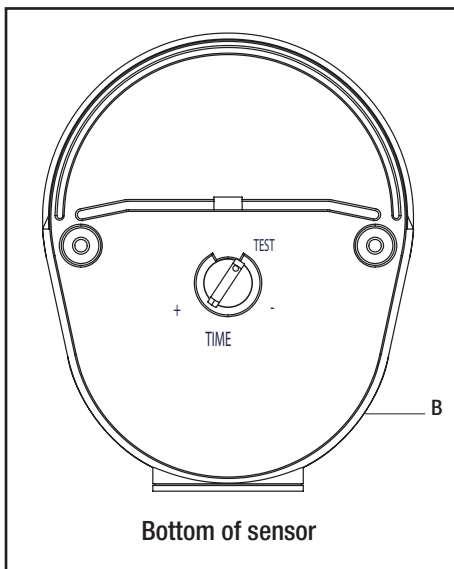
# Operation

## 1 Testing the motion sensor

- Rotate knob on bottom of the sensor (B) to "TEST".
- Turn on the power to fixture. Allow fixture to warm up approximately 40 seconds before testing. (Lights may not come on during warm-up period.)
- Aim sensor head (B) toward desired detection area, maintaining a 5°–15° down angle to allow moisture to drain.
- Walk across the detection zone at the farthest distance you wish your detector to detect motion.
- Adjust sensor head (B) until you get desired results. Lights will turn off 4 seconds after all motion stops.

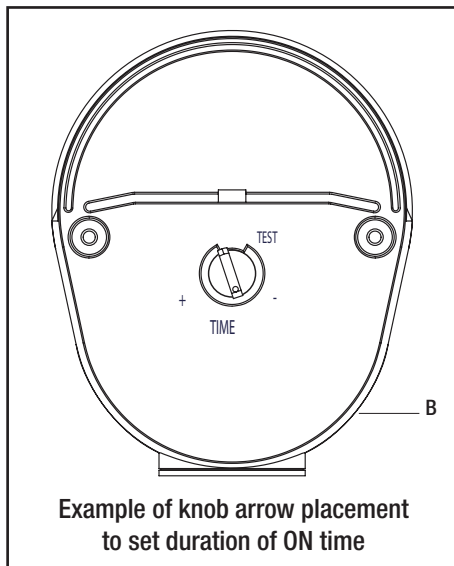


**NOTE:** For maximum range performance, allow fixture to operate in any mode (with power to the unit) for at least 48 hours.



## 2 Setting the ON time

- To set the ON time, rotate knob arrow to point to the desired time setting within the TIME range (up to 12 minutes).





## Feature Selection

Mode of Operation	Mode Knob Adjustment	How to Set Power Switch
<b>Auto Setting (motion activated)</b> Lights should turn ON with motion only at night and should turn OFF according to the TIME dial setting.	Knob arrow points to desired time setting within TIME range.	Turn the power to the fixture ON.
<b>Dusk to Dawn Setting (activated only at night)</b> Lights should turn ON for 6 hours at dusk and then reset to Auto Setting.	Knob arrow points to desired time setting within TIME range.	Turn power OFF and ON twice within 3 seconds.
<b>Test Setting</b> Lights should turn ON with motion both day and night. Lights should turn OFF after 4 seconds.	TEST	Turn the power to the fixture ON.
<b>Return to Auto Setting (motion activated)</b> from any of the above settings.	Knob arrow points to desired time setting within TIME range.	Turn the power OFF for at least 40 seconds, then back ON.

## Troubleshooting

Problem	Possible Cause	Solution
Light does not come ON with motion at night.	<input type="checkbox"/> No power to the fixture.	<input type="checkbox"/> Check if circuit breaker tripped. <input type="checkbox"/> Confirm wall switch is ON.
	<input type="checkbox"/> Surrounding external ambient light is too bright. (If so, the unit may think it is daytime.)	<input type="checkbox"/> Re-aim the head. <input type="checkbox"/> Relocate or reposition the unit away from the light.
	<input type="checkbox"/> Wiring to the unit is loose.	<b>TURN OFF POWER BEFORE CONTINUING.</b> <input type="checkbox"/> Check wiring and reconnect if necessary using wire nuts (EE) provided.
Light comes on for no apparent reason at night.	<input type="checkbox"/> There is motion in the detection zone.	<input type="checkbox"/> Make sure the sensor is not picking up moving objects such as trees, traffic, etc.  <b>TEST FOR YOURSELF:</b> <ul style="list-style-type: none"> <li><input type="checkbox"/> Cover the sensor lens with cardboard to prevent sensor from detecting motion. If the light stays off, something in the detection zone is triggering the sensor. If this is the case, reposition the motion sensor.</li> <li><input type="checkbox"/> If the light stays on with the sensor lens covered, contact Customer Service.</li> <li><input type="checkbox"/> Reposition the motion sensor.</li> </ul>

## Troubleshooting (continued)

Problem	Possible Cause	Solution
Light stays ON at night and does not turn OFF.	<input type="checkbox"/> There is motion in the detection zone.	<input type="checkbox"/> Make sure the sensor is not picking up moving objects such as trees, traffic, etc. <input type="checkbox"/> Reposition the motion sensor.
	<input type="checkbox"/> Unit is in override mode (if there is no motion).	<input type="checkbox"/> Turn the light switch to the OFF position for 90 seconds, and then turn back to the ON position. This will send the unit back into the motion activated setting "Auto".
Light continuously blinks ON and OFF at night.	<input type="checkbox"/> The light given from the unit's own lamp is affecting the motion sensor.	<input type="checkbox"/> Re-aim the lamp. <input type="checkbox"/> Reposition the motion sensor.
Light is ON during the day.	<input type="checkbox"/> The controls on the bottom of the motion sensor are in the TEST mode.	<input type="checkbox"/> Reposition MODE knob off of TEST to a time selection (1m-12m).
	<input type="checkbox"/> The motion detector is shadowed.	<input type="checkbox"/> Reposition motion sensor.
Cannot activate dusk to dawn mode at night (override)	<input type="checkbox"/> Surrounding external ambient light is too bright. (If so, the unit may think it is daytime.)	<input type="checkbox"/> Re-aim the head. <input type="checkbox"/> Relocate or reposition the unit away from the light.
	<input type="checkbox"/> Not enough time is allowed to enter the dusk to dawn mode.	<input type="checkbox"/> Turn power OFF and ON twice within 3 seconds.
	<input type="checkbox"/> There is more than one fixture on an indoor wall switch.	<input type="checkbox"/> If so, put them on separate switches.

**DEFIANT<sup>®</sup>**

Questions, problems, missing parts? Before returning to the store,  
call Defiant<sup>®</sup> Customer Service  
8 a.m.-6 p.m., EST, Monday-Friday

**1-866-308-3976**

**HOMEDEPOT.COM**

Retain this manual for future use.

Printed in China  
825-0747

**DEFIANT®**

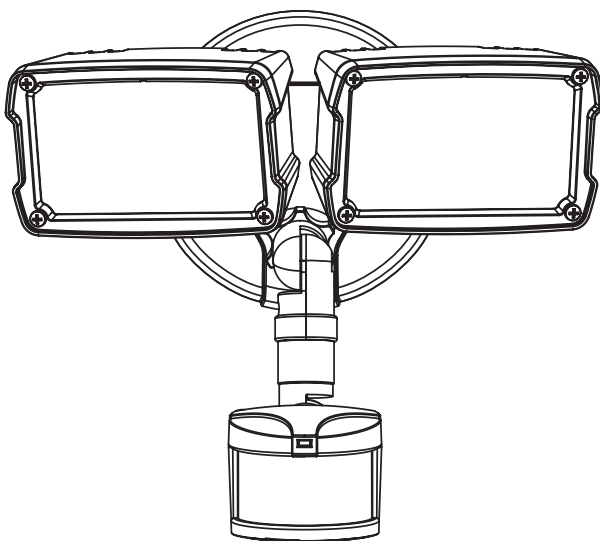
Artículo #625-057

Model #MST18920LWDF

# GUÍA DEL USUARIO Y DE MANTENIMIENTO

---

## LUZ DE RESALTE LED ACTIVADA POR MOVIMIENTO CON GIRO DE 180°



¿Preguntas, problemas, faltan piezas? Antes de devolver el producto al negocio en el que lo compró, llame al Servicio de atención al cliente de Defiant®.

De lunes a viernes, de 8 a. m. a 6 p. m., Hora Estándar del Este (EST)

1-866-308-3976

HOMEDEPOT.COM

---

### GRACIAS

*Le agradecemos toda la confianza que ha depositado en Defiant® al comprar esta luz de resalte LED activada por movimiento. Nos esforzamos por seguir creando productos de calidad diseñados para mejorar su casa. Visite nuestro sitio web para conocer nuestra línea completa de productos disponibles para los proyectos de mejora de su casa. ¡Gracias por elegir a Defiant®!*

Índice .....	13	Instalación .....	18
Información de seguridad .....	13	Operación .....	19
Garantía.....	14	Selección de características .....	20
Pasos previos a la instalación .....	15	Solución de problemas.....	20


## Información de seguridad

### ADVERTENCIA

- Riesgo de fuego/descarga eléctrica. Si no está capacitado, consulte a un electricista.
- Antes de instalar o dar mantenimiento desconecte el suministro eléctrico en la caja de fusibles o interruptores.


### PRECAUCIÓN

- Conecte el accesorio a una fuente de energía de 120 voltios y 60 Hz. (Cualquier otro tipo de conexión anulará la garantía.)
- El accesorio debe ser instalado por un electricista calificado o por personas con experiencia en cableado doméstico. El sistema eléctrico y el método de conexión eléctrica del accesorio debe cumplir con el Código Eléctrico Nacional y los códigos locales de construcción.
- Instale el accesorio en una caja de empalmes estándar embutida con puesta a tierra apta para lugares húmedos.
- Adecuado para montarse solamente en pared o alero, y no para instalarse en el suelo.
- Para un funcionamiento y protección adecuados contra posibles daños, los botones de ajuste de la cabeza del sensor de movimiento se deben ajustar en dirección al piso.
- No instalar por debajo de 1,5 metros (5 pies).
- CONDUCTORES DE ALIMENTACIÓN MÍNIMO DE 75 °C.
- Este dispositivo cumple con la Parte 15 de las Reglas de la Comisión Federal de Comunicaciones (FCC) de los E. U. de A. La operación está sujeta a las dos condiciones siguientes: (1) Este dispositivo no puede causar interferencia dañina, y (2) este dispositivo debe aceptar toda interferencia recibida, incluyendo la interferencia que pueda causar un funcionamiento indeseado. Según la Parte 15 de las Reglas de la FCC, todo cambio o modificación al detector de movimiento descrito en esta hoja de instrucciones que no esté expresamente aprobado por Cooper Lighting, LLC podría anular la autorización del usuario para operar el equipo.

 **NOTA:** Este equipo ha sido probado, y se ha verificado que cumple con los límites de un dispositivo digital Clase B, de acuerdo con la Parte 15 de las Reglas de la FCC. Estos límites están diseñados a fin de proveer una protección razonable contra la interferencia dañina en una instalación residencial. Este equipo genera, usa y puede irradiar energía de radio frecuencia, y si no se instala y utiliza de acuerdo con las instrucciones, puede causar interferencia dañina en las comunicaciones de radio. Sin embargo, no se garantiza que no vaya a producirse interferencia en una instalación en particular. Si este equipo efectivamente causa una interferencia dañina en la recepción de radio o televisión, lo que puede determinarse apagándolo y encendiéndolo, se recomienda al usuario que trate de corregir la interferencia por medio de una o más de las siguientes medidas:

- Reoriente o cambie de lugar la antena receptora.
- Aumente la separación entre el equipo y el receptor.
- Conecte el equipo en un tomacorriente que esté en un circuito diferente de aquél al que se conecta el receptor.
- Consulte a su proveedor, o a un técnico de radio/TV experimentado, para que le ayuden.

## Información de seguridad (continuación)

 **ADVERTENCIA:** Las Reglamentaciones de la FCC establecen que todo cambio o modificación no autorizados en este equipo, que no estén aprobados expresamente por el fabricante, podrían anular la autorización del usuario para operar el equipo.

### INSTRUCCIONES IMPORTANTES DE SEGURIDAD

Al utilizar el producto, siempre se deben seguir las precauciones básicas, incluido lo siguiente:

- Lea y siga estas instrucciones.
- Tenga en cuenta todas las advertencias, incluyendo las advertencias a continuación Y aquellas incluidas en el producto.
- Guarde estas instrucciones y advertencias.
- Se debe utilizar en exteriores solamente.
- Catalogado por C-UL-US para uso en ubicaciones húmedas.
- Si desarma el accesorio, se anulará la garantía.
- La lámpara es precableada para facilitar la instalación.

## Garantía

La siguiente garantía es exclusiva y reemplaza a todas las demás, ya sean implícitas, explícitas o estatutarias, incluidas entre otras, las garantías de comerciabilidad e idoneidad para un fin particular.

Cooper Lighting, LLC ("Cooper Lighting") garantiza a sus clientes que los productos de Cooper Lighting no presentarán defectos en los materiales y en la fabricación durante un período de dos años desde la fecha de compra. La obligación de Cooper Lighting según esta garantía se limita expresamente al suministro de los productos de reemplazo. Esta garantía se extiende sólo para el comprador original del producto. Un recibo del comprador u otra prueba de la fecha de compra original aceptable para Cooper Lighting. Esto es necesario para la ejecución de la garantía.

Esta garantía no se aplica a los productos de Cooper Lighting que hayan sido alterados o reparados o que estuvieron sujetos a negligencia, abuso, mal uso o accidente (incluso los daños durante el envío). Esta garantía no se aplica a los productos Cooper Lighting no fabricados por Cooper Lighting que hayan sido suministrados, instalados o utilizados junto con los productos Cooper Lighting. Los daños del producto causados por bombillas de reemplazo, corrosión o decoloración de los componentes de latón no están cubiertos por esta garantía.


Limitación de responsabilidad: Cooper Lighting no será responsable legal en ningún caso de daños indirectos, accidentales o resultantes (sin importar la acción legal, ya sea por contrato, responsabilidad estricta o de forma extracontractual incluyendo la negligencia) tampoco de la pérdida de ganancias, Cooper Lighting tampoco será responsable de reclamos o daños que surjan o estén conectados con estos términos o con la fabricación, venta, entrega, uso, mantenimiento, reparación o modificación de los productos de Cooper Lighting o del suministro de cualquier pieza de repuesto que exceda el precio de compra de los productos de Cooper Lighting originando un reclamo. No se aceptarán cargos por mano de obra para quitar o instalar los accesorios.

Contacte al departamento de servicio al cliente al 1-866-308-3976 o visite [www.HomeDepot.com](http://www.HomeDepot.com).

# Pasos previos a la instalación

Antes de comenzar a ensamblar el producto, asegúrese de tener todas las piezas. Compare las piezas con la lista del contenido del paquete y los aditamentos mencionados. No intente ensamblar el producto si falta alguna pieza o si éstas están dañadas.

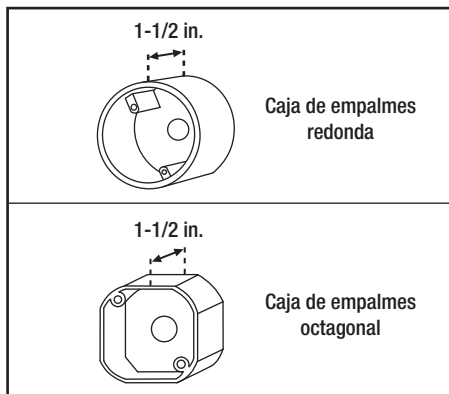
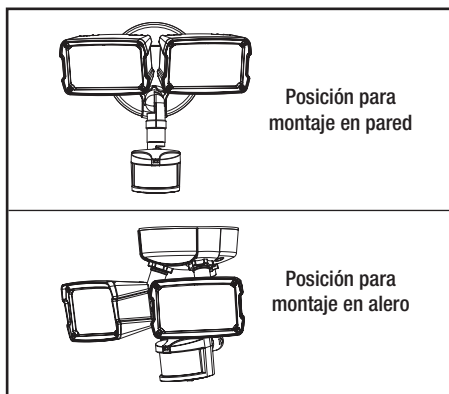
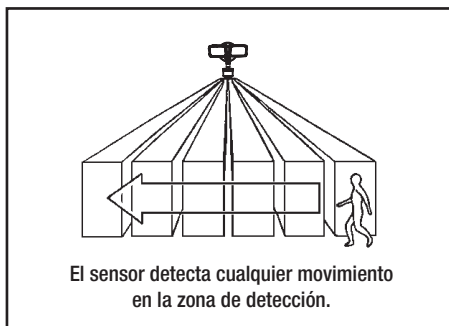
Tiempo estimado de ensamblaje: 30 minutos

 **NOTA:** El accesorio debe ser instalado por un electricista calificado o por personas con experiencia en cableado doméstico. El sistema eléctrico y el método de conexión eléctrica del accesorio debe cumplir con el Código Eléctrico Nacional y los códigos locales de construcción.

- Instale su portalámparas a 8–12 pies (2,4–3,7 m) del piso. El detector de movimiento es menos sensible si se encuentra a una altura superior a los 12 pies (3,7 m).
- Coloque el detector de movimiento de manera que se mueva por toda la zona de detección.
- Coloque el detector lejos de fuentes de calor para prevenir una falsa activación. Siempre que sea posible trate de no introducir en el área de detección objetos tales como calefactores, aparatos de aire acondicionado, respiraderos de lavaderos y superficies reflectantes tales como ventanas, paredes blancas y agua.
- Coloque el detector de movimiento lejos de objetos en movimiento tales como árboles y tráfico callejero.
- No instale más de una luz de resalte activada por movimiento por cada interruptor de pared.
- El accesorio se puede montar en el pared o en el alero.
- La cubierta se adapta a las cajas eléctricas empotradas. La caja eléctrica debe tener una profundidad mínima de 1-1/2 pulgadas (3,81 cm) para asegurar una instalación adecuada en aplicaciones empotradas.

## ARTÍCULO REQUERIDO (COMPRA POR SEPARADO):

- Limpiar masilla de silicona claro resistente a la intemperie.



# Pasos previos a la instalación (continuación)

## HERRAMIENTAS REQUERIDAS

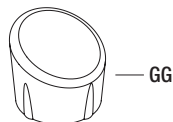
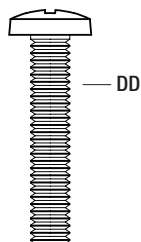
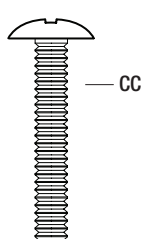
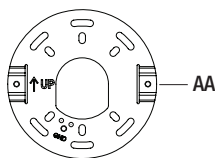


Destornillador  
en cruz (Phillips)

## TORNILLERÍA INCLUIDA



NOTA: La tornillería se muestra en su tamaño real.

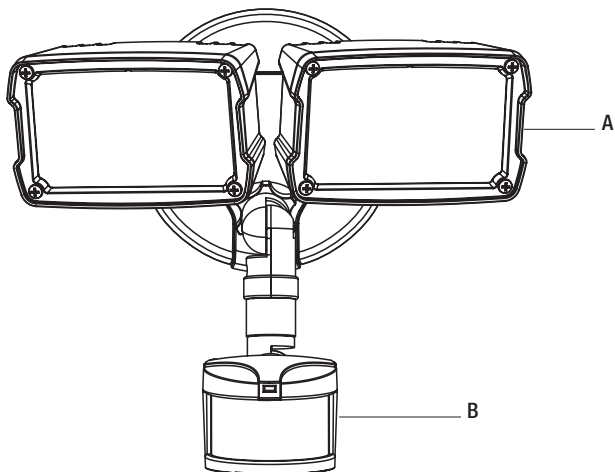


Pieza	Descripción	Cantidad
AA	Soporte de montaje (no está a escala)	1
BB	Junta (no está a escala)	1
CC	Tornillo #6-32 x 3/4 pulg. para montaje de la caja de conexiones	2
DD	Tornillo #8-32 x 3/4 pulg. para montaje de la caja de conexiones	2
EE	Tuerca para cable	3
FF	Tornillo #8-32 x 1-1/4 pulg. de montaje de la cubierta	2
GG	Cubierta tapatornillo decorativa	2



# Pasos previos a la instalación (continuación)

## CONTENIDO DEL PAQUETE



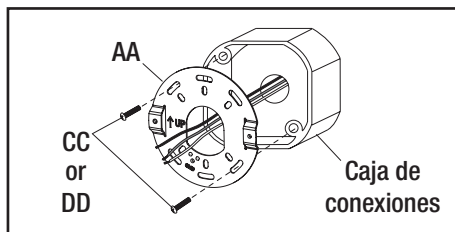
Pieza	Descripción	Cantidad
A	Accesorio	1
B	Sensor de movimiento	1

## 1 Montaje de la placa protectora

- Alinee los agujeros en la soporte de montaje (AA) con los agujeros en su caja de conexiones. Usando ya sea (2) tornillos N.º 6 (CC) ó (2) tornillos N.º 8 (DD) (dependiendo del tamaño de los agujeros en la caja de conexiones), fije la soporte de montaje a la caja de conexiones.

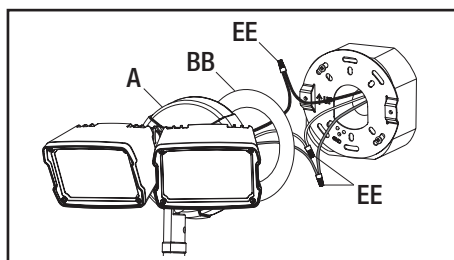


**ADVERTENCIA:** Riesgo de choque eléctrico. Antes de la instalación o reparación, desconecte la alimentación eléctrica en el fusible o interrupto automático.



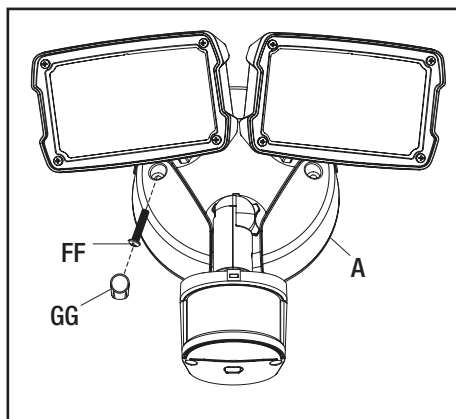
## 2 Cableado del accesorio

- Pase los cables del artefacto a través de la junta de la placa de cubierta (BB).
- Conecte el alambre negro del accesorio al alambre negro de la casa el alambre blanco del accesorio al alambre blanco de la casa usando las tuercas para cables (EE) suministrados.
- Conecte el cable a tierra de la casa y el del accesorio al soporte de montaje (AA) utilizando el tornillo verde de puesta a tierra del soporte de montaje.



## 3 Montaje del accesorio

- Fije el accesorio al soporte de montaje utilizando los (2) tornillos N.º 8 x 31,75 mm (1-1/4 pulg.) provistos. Asegúrese de que no queden cables sueltos a la vista por debajo de la placa protectora. Introduzca las cubiertas tapatornillos decorativas en los orificios de los tornillos de la placa protectora para lograr el toque final de terminación.
- Aplique sellador de silicona alrededor de los bordes de la placa de cierre y en todos los agujeros, para formar un sello impermeable a la lluvia y humedad.
- Active la fuente de alimentación en la caja de fusibles / interruptor automático.

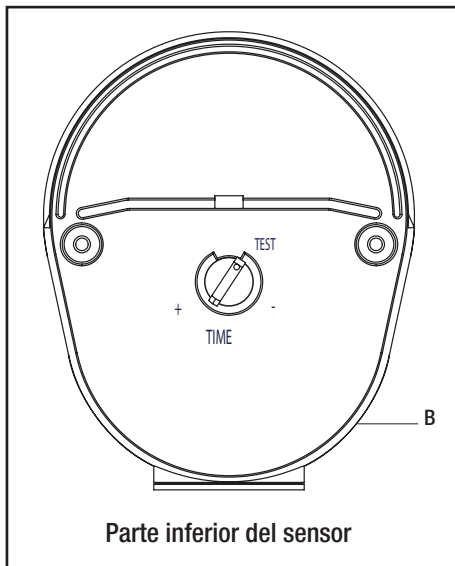


## 1 Cómo probar el sensor de movimiento

- Gire la perilla de la parte inferior del sensor (B) a la posición "TEST" ("PRUEBA").
- Active la energía del portalámparas. Deje que el portalámparas se caliente proximadamente 40 segundos antes de hacer las pruebas. (Las luces se encenderán y permanecerán encendidas durante el periodo de calentamiento.)
- Dirija la cabeza del sensor (B) hacia el área de detección deseada, manteniendo un ángulo de 5° a 15° hacia abajo, para permitir el drenaje de la humedad.
- Camine a través de la zone de detección tan lejos como desee que su detector registre movimiento.
- Ajuste la cabeza del sensor (B) hasta obtener los resultados deseados. Las luces se apagarán 4 segundos después de que se detenga el movimiento.



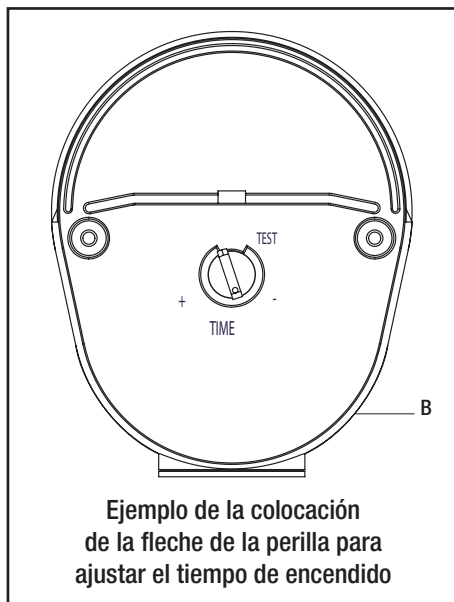
**NOTA:** Para obtener un rendimiento de alcance máximo, deje que el aparato funcione en cualquiera de las modalidades (con corriente llegando a la unidad) durante al menos 48 horas.



Parte inferior del sensor

## 2 Configuración del tiempo de ENCENDIDO

- Para ajustar el tiempo de encendido, rote la flecha de la perilla hasta que apunte al ajuste de tiempo deseado dentro del alcance de TIEMPO (hasta 12 minutos).



## Selección de características

Modo de funcionamiento	Ajuste de la perilla de MODO	Como ajustar interruptor electrico
<p><b>Ajuste Automático (activado por movimiento)</b> Las luces se deben encender al detectar movimiento solo por las noches y se deben apagar de acuerdo al ajuste del indicador "TIME" ("TIEMPO").</p>	La flecha de la perilla apunta al ajuste de tiempo deseado dentro del alcance de "TIME" ("TIEMPO").	Mantenga la alimentación del portalámparas activada.
<p><b>Ajuste Amanecer-Atardecer (activado sólo durante la noche)</b> La luz debe permanecer encendida durante 6 horas al anochecer y luego restablecerse al modo de ajuste automático.</p>	La flecha de la perilla apunta al ajuste de tiempo deseado dentro del alcance de "TIME" ("TIEMPO").	Apague y encienda la alimentación eléctrica dos veces en un periodo de 3 segundos.
<p><b>Ajuste de Prueba</b> Las luces deben encenderse por el movimiento tanto en el día como en la noche. Las luces deben apagarse después de 4 segundos.</p>	TEST (PRUEBA)	Mantenga la alimentación del portalámparas activada.
<p><b>Regrese al Ajuste Amanecer-Atardecer (ajuste de activación por movimiento)</b> desde cualquier posición.</p>	La flecha de la perilla apunta al ajuste de tiempo deseado dentro del alcance de "TIME" ("TIEMPO").	APAGUE (OFF) la corriente por al menos 40 segundos y luego ENCIENDALA (ON) de nuevo.

## Diagnostico y solución de problemas

Problema	Causa Posible	Acción Correctiva
La luz no se enciende durante la noche aunque haya movimiento.	<input type="checkbox"/> No llega electricidad al accesorio.	<input type="checkbox"/> Revise si el interruptor de circuito ha saltado. <input type="checkbox"/> Confirme que el interruptor de pared esté encendido.
	<input type="checkbox"/> La luz ambiental exterior es demasiado brillante. (Si es así, para la unidad es de día).	<input type="checkbox"/> Redirija el cabezal del sensor. <input type="checkbox"/> Reubique o reoriente el accesorio.
	<input type="checkbox"/> El cableado hacia la unidad está flojo.	<p><b>DESCONECTE LA ENERGÍA ANTES DE CONTINUAR.</b></p> <input type="checkbox"/> Revise los cables y vuélvalos a conectar si fuera necesario usando las tuercas (EE) que se incluyen.

## Diagnostico y solución de problemas (continuación)

Problema	Causa Posible	Causa Posible
La luz se enciende durante la noche sin motivo aparente.	<input type="checkbox"/> Hay movimiento en la zona de detección.	<input type="checkbox"/> Asegúrese de que el sensor no esté reaccionando a objetos móviles tales como árboles, tráfico, etc. <b>COMPRUEBELO USTED MISMO:</b> <input type="checkbox"/> Cubra la lente del sensor con un trozo de cartón para evitar que detecte movimiento. Si las luces permanecen apagadas, hay algo en el área de detección que está activando el sensor. <input type="checkbox"/> Si las luces permanecen encendidas con la lente del sensor cubierta, póngase en contacto con el servicio de asistencia al cliente. <input type="checkbox"/> Reubique o reoriente el sensor.
La luz se enciende durante la noche y no se apaga.	<input type="checkbox"/> Hay movimiento en la zona de detección.	<input type="checkbox"/> Asegúrese de que el sensor no esté reaccionando a objetos móviles tales como árboles, tráfico, etc. <input type="checkbox"/> Reoriente el sensor de movimiento.
	<input type="checkbox"/> La unidad está en modo de anulación (si no hay movimiento).	<input type="checkbox"/> Ponga el interruptor de la luz en "OFF" durante 40 segundos y vuelva a colocarlo en "ON". Esto colocará de nuevo la unidad en la modalidad "Auto" (automático).
La luz se enciende y se apaga continuamente durante la noche.	<input type="checkbox"/> La luz proveniente de la propia lámpara de la unidad está afectando al sensor de movimiento.	<input type="checkbox"/> Cambie la dirección de la lámpara. <input type="checkbox"/> Reoriente el sensor de movimiento.
La luz se enciende durante el día.	<input type="checkbox"/> El interruptor que se encuentra en la parte inferior del sensor de movimiento se encuentran en el modo de prueba.	<input type="checkbox"/> Gire la perilla de MODO lejos del "OFF" a una selección de tiempo (1m-12m).
	<input type="checkbox"/> Hay sombra sobre el detector de movimiento.	<input type="checkbox"/> Reoriente el sensor de movimiento.
No se puede activar el configuración del reflector estándar (Conmutación a control manual).	<input type="checkbox"/> La luz ambiental exterior es demasiado brillante. (Si es así, para la unidad es de día).	<input type="checkbox"/> Redirija el cabezal del sensor. <input type="checkbox"/> Cambie la ubicación de la unidad o diríjala en dirección contraria a la luz.
	<input type="checkbox"/> No se dejó pasar suficiente tiempo para que el accesorio entrara en el modo de amanecer-atardecer.	<input type="checkbox"/> Apague y encienda la alimentación eléctrica dos veces en un periodo de 3 segundos.
	<input type="checkbox"/> Más de un accesorio está conectado en un interruptor de pared interior.	<input type="checkbox"/> Si es así, conéctelos en interruptores diferentes.



**DEFIANT<sup>®</sup>**

¿Preguntas, problemas, faltan piezas? Antes de devolver el producto al negocio en el que lo compró, llame al Servicio de atención al cliente de Defiant<sup>®</sup>. De lunes a viernes, de 8 a. m. a 6 p. m., Hora Estándar del Este (EST)

**1-866-308-3976**

**HOMEDEPOT.COM**

Conserve este manual para consultarlo en el futuro.

Impreso en China  
825-0747