

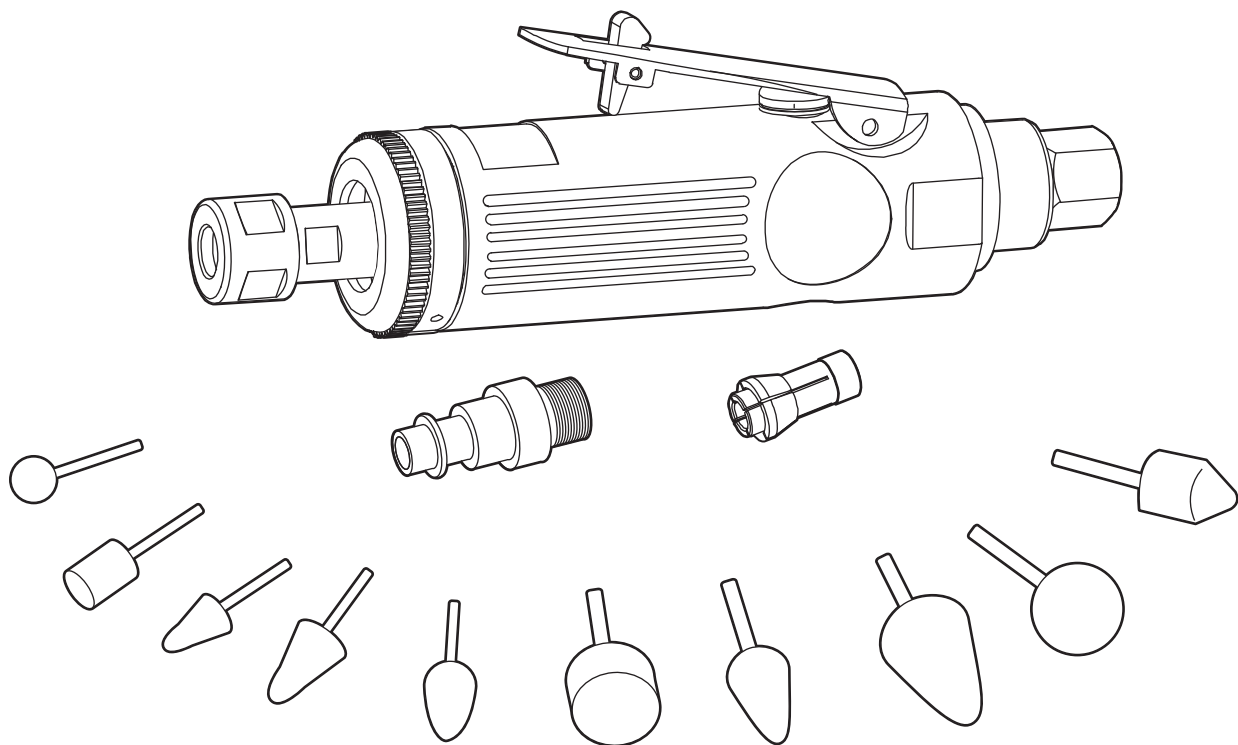
# HDX™

Item #1000 014 688  
Model #WG-K200-2

## USE AND CARE GUIDE

---

### PNEUMATIC GRINDER WITH 12-PIECE ACCESSORY KIT



Questions, problems, missing parts? Before returning to the store,  
call HDX Customer Service  
8 a.m. - 6 p.m., EST, Monday-Friday

**1-800-514-6729**

**HOMEDEPOT.COM**

---

#### **THANK YOU**

*We appreciate the trust and confidence you have placed in HDX through the purchase of this grinder. We strive to continually create quality products designed to enhance your home. Visit us online to see our full line of products available for your home improvement needs. Thank you for choosing HDX!*

# Table of Contents

Table of Contents.....	2
Safety Information.....	2
Warranty.....	3
Pre-Operation.....	3
Specifications.....	3
Recommended Setup for Pneumatic Tools.....	3

Package Contents.....	4
Operation.....	5
Care and Cleaning.....	6
Service Parts.....	6

# Safety Information

- Read all instructions before using this tool, and save this manual for future use.
- To avoid damage to the product and/or personal injury, follow the operating instructions carefully and adhere to all safety precautions.
- Always wear ANSI-approved safety glasses underneath a full face shield, and wear hearing protection.
- Keep children away from the work area. Do not let them handle machines, tools, extension cords, or air hoses.
- Do not modify this tool and do not use this tool for any purpose for which it was not intended.
- Do not overreach. Keep proper footing and balance at all times to better control the tool in unexpected situations.
- If an extension cord is required, it must be of the proper size and type to supply the correct current to the compressor without heating up. Check your air compressor's manual for the appropriate size cord.
- Industrial applications must follow OSHA requirements.
- Performance of the compressor (if powered by line voltage) may vary depending on variations in local line voltage. Extension cord usage may also affect tool performance.
- Keep the work area clean.



**WARNING:** Some dust created by power sanding, sawing, grinding, drilling, and other construction activities contain chemicals known (to the State of California) to cause cancer, birth defects, or other reproductive harm. Some examples of these chemicals are: lead from lead-based paints, crystalline silica from bricks and cement or other masonry products, arsenic and chromium from chemically treated lumber. Your risk from these exposures varies, depending on how often you do this type of work. To reduce your exposure to these chemicals: work in a well-ventilated area and work with approved safety equipment, such as those dust masks that are specifically designed to filter out microscopic particles (California Health & Safety Code 25249.5, et seq.).



**WARNING:** Do not operate pneumatic tools in explosive atmospheres, such as in the presence of flammable liquids, gases, or dust. Pneumatic tools create sparks which may ignite flammables.



**CAUTION:** To avoid personal injury, do not use pneumatic tools while tired or under the influence of drugs, alcohol, or medication.



**CAUTION:** Loose clothes, jewelry, or long hair can be caught in moving parts.



**CAUTION:** To avoid accidental starting, be sure the trigger lever is off before connecting to the air supply. Carrying pneumatic tools with your finger on the trigger, or connecting pneumatic tools to the air supply with the trigger on, increases the risk of accidents or personal injury.



**CAUTION:** A wrench or a key that is left attached to a rotating part of the tool may result in personal injury. Remove adjusting keys or wrenches before turning on the tool.



**IMPORTANT:** Use clean, dry, regulated compressed air at 90 PSI to operate this tool. Never use oxygen, carbon dioxide, combustible gases, or any other bottled gas as a power source for this tool.

# Warranty

## 1 YEAR LIMITED WARRANTY

### WHAT IS COVERED

If within one year from the date of purchase, this HDX air tool product fails due to a defect in materials or workmanship, immediately contact the Customer Service Team at 1-800-514-6729. Do not return the air tool to the store. Please be prepared to send the product, postage prepaid, to the address provided by the Customer Service Team. The package must also include a copy of the dated first owner purchase receipt with the air tool model included and circled. The month/year of manufacture of the air tool must also be included to determine warranty. A defective product will be promptly replaced with a new one of equal or greater value. This warranty gives you specific rights, and you may also have other rights, which vary from state to state.

### WHAT IS NOT COVERED

This warranty excludes incidental/consequential damages and failures due to misuse, abuse, or normal wear and tear. To the extent permitted by applicable law, all implied warranties, including warranties of merchantability or fitness for a particular purpose, are disclaimed. Any implied warranties, including warranties of merchantability or fitness for a particular purpose, that cannot be disclaimed under state law are limited to one year from the date of purchase. HDX is not responsible for direct, indirect, incidental, special, or consequential damages. Some states do not allow limitations on how long an implied warranty lasts and/or do not allow the exclusion or limitation of incidental or consequential damages, so the above limitations may not apply to you.

Contact the Customer Service Team at 1-800-514-6729 or visit [www.HomeDepot.com](http://www.HomeDepot.com).

# Pre-Operation

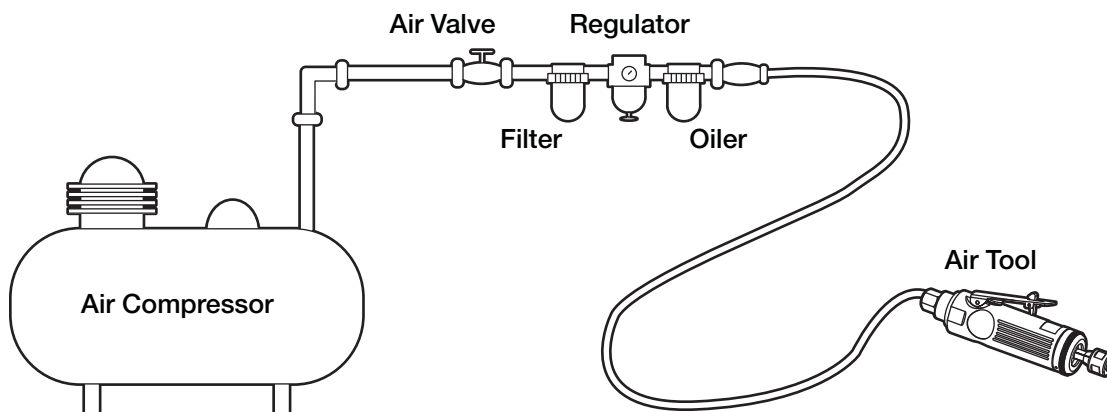
## SPECIFICATIONS

Collet Capacity	1/4 in. & 1/8 in.
Maximum Air Pressure	90 PSI
Air Consumption	3 CFM @ 90 PSI
Air Inlet Diameter	1/4 in. - 18 NPT
Maximum RPM	22,000 RPM
Activation Method	Paddle-Style Trigger (with spring-loaded safety lever)
Overall Dimensions	2-9/16 in. W x 6-3/4 in. L

## RECOMMENDED SETUP FOR PNEUMATIC TOOLS

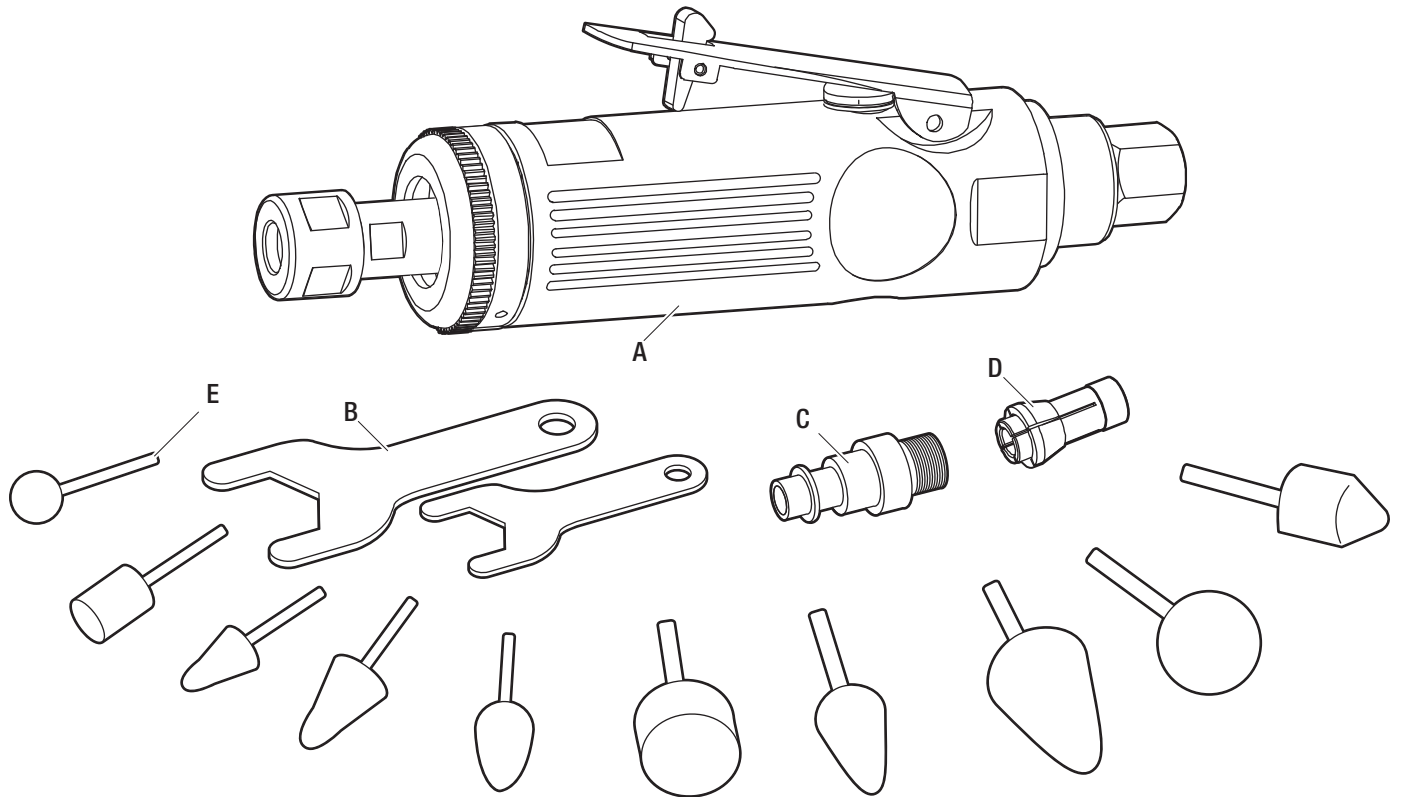


**NOTE:** When connecting to the air supply: Prior to each use, if an automatic oiler is not used, add two drops of air tool oil (not included) into the air inlet fitting of the die grinder. An oiler, regulator, and inline filter should be incorporated into the air system for best results.



# Pre-Operation (continued)

## PACKAGE CONTENTS

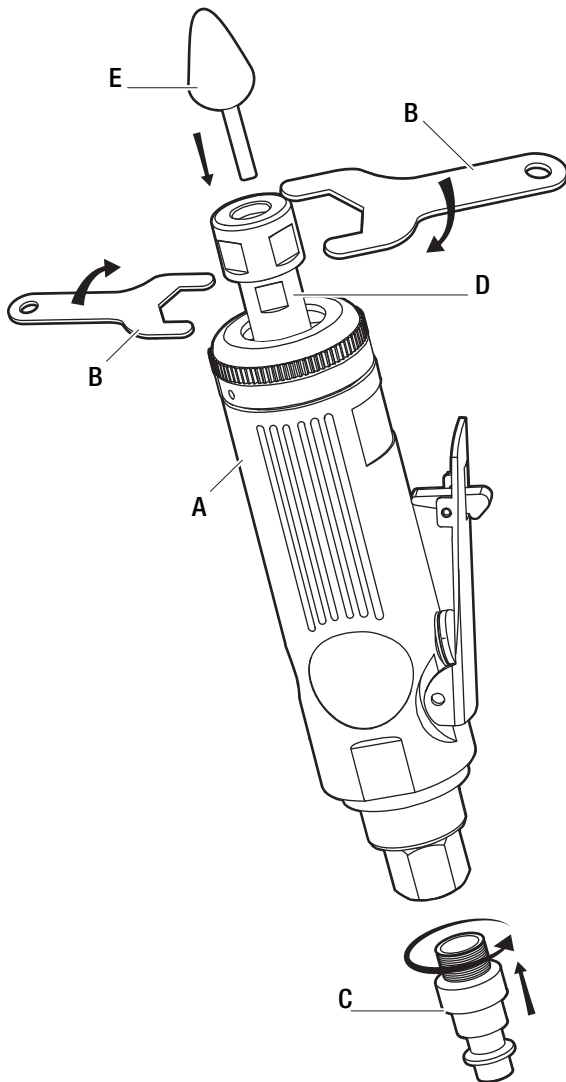


Part	Description	Quantity
A	Grinder	1
B	Spanner	2
C	Air Inlet Fitting	1
D	Collet	1
E	Grinding Tool	10

# Operation

## 1 Preparing the grinder for use

- Use the two spanners (B) to loosen the collet nut (1) on the grinder (A).
- Insert the collet (D) into the grinder (A) spindle.
- Select the appropriate grinding tool (E), and fully insert the shank into the collet (D). Then, firmly re-tighten the collet nut (1) to lock both the collet (D) and grinding tool (E) in place.
- Screw the air inlet fitting (C) into the bottom of the grinder (A), as shown.



## 2 Operating the grinder



**IMPORTANT:** Always wear ANSI-approved safety glasses underneath a full face shield, and wear hearing protection.

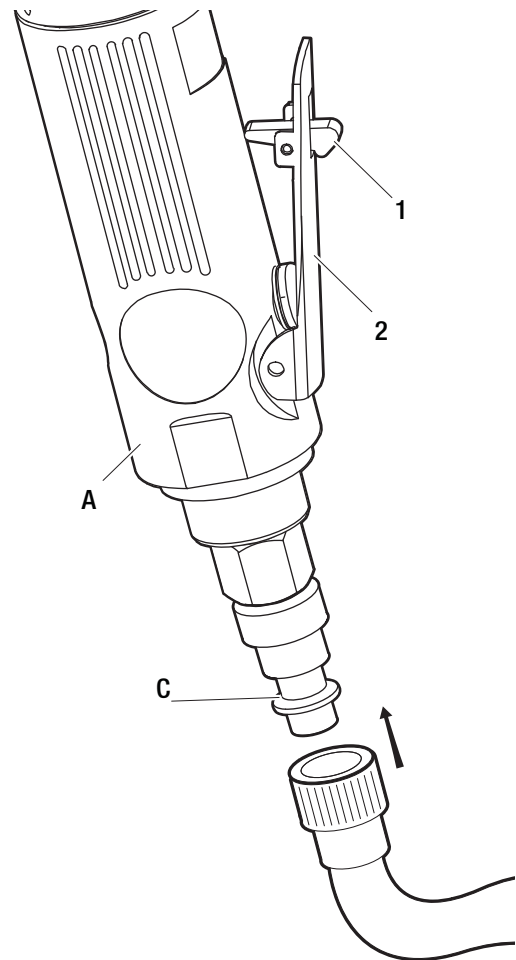


**IMPORTANT:** Always grip the grinder firmly with both hands during use.

- Connect the air supply hose to the air inlet fitting (C).
- Turn on the air compressor, and set its regulator to the recommended 90 PSI.
- Trip the safety (1) with your finger, and slowly apply pressure to the trigger (2) until the desired speed is obtained.



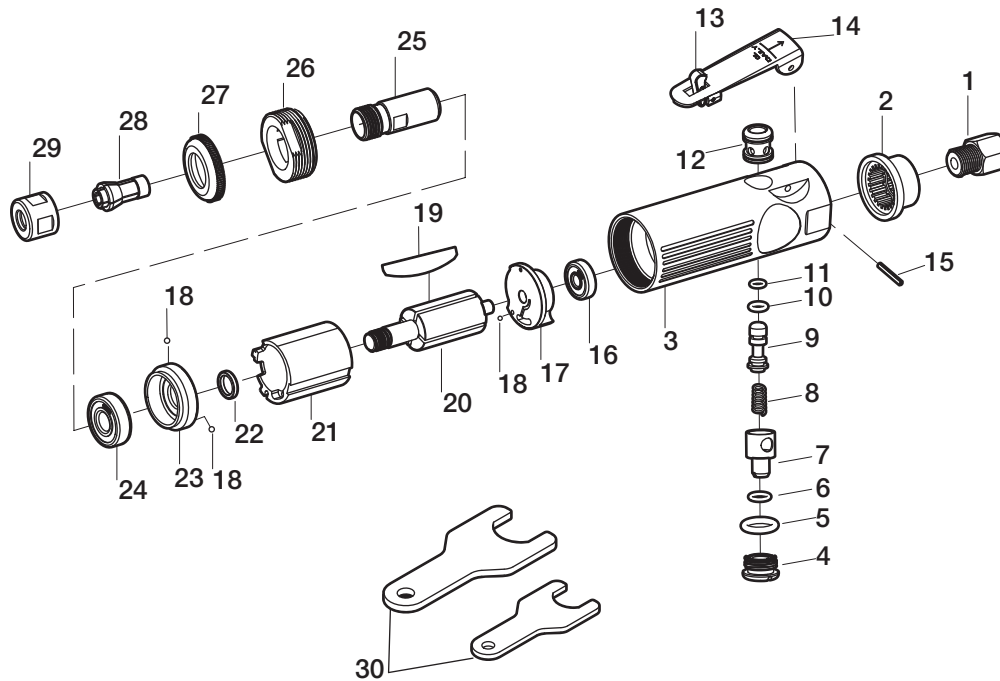
**NOTE:** The grinder always turns the grinding tool in a clockwise direction.



# Care and Cleaning

- For your safety, maintenance should be performed regularly by a qualified technician.
- Always disconnect the die grinder from its compressed air supply source, and squeeze the trigger to release all compressed air in the tool before performing any maintenance or services.
- When servicing, use only identical replacement parts. Use of any other parts will void the warranty. Only use accessories intended for use with this tool.
- When not in use, the grinder must be stored in a dry location to inhibit rust. Always lock up tools and keep them out of reach of children.

# Service Parts



Part	Description	Quantity
1	Air Inlet	1
2	Exhaust Deflector	1
3	Motor Housing	1
4	Valve Screw	1
5	O-Ring	1
6	O-Ring	1
7	Air Regulator	1
8	Spring	1
9	Throttle Valve	1
10	O-Ring	1
11	O-Ring	1
12	Valve	1
13	Safety	1
14	Trigger	1
15	Throttle Lever Pin	1

Part	Description	Quantity
16	Ball Bearing	1
17	Rear Plate	1
18	Ball	3
19	Rotor Blade	4
20	Rotor	1
21	Cylinder	1
22	Washer	1
23	Front Plate	1
24	Ball Bearing	1
25	Spindle	1
26	Retainer	1
27	Housing Cap	1
28	Collet (1/4 in.)	1
29	Collet Nut	1
30	Double Ended Spanner	2



Questions, problems, missing parts? Before returning to the store,  
call HDX Customer Service  
8 a.m. - 6 p.m., EST, Monday-Friday

**1-800-514-6729**

**HOMEDEPOT.COM**

Retain this manual for future use.