




OWNER'S MANUAL

BMS8000 Shed

Includes instructions for 7 1/2' x 10 1/2' x 8 1/2' shed
Assembled exterior dimensions: 7' 6" W. x 10' 8" D. x 8' 7" H.

Before You Begin...

- **Consult your local authorities for any permits required to construct shed.**
Prior to the construction of your shed, check with the local building code official to review any required permits or building limitations.
- **A level and sturdy foundation is required before shed construction can begin.**
Site preparation information is available on page 10.
- **Read instructions thoroughly prior to assembly.**
This kit contains parts that can be damaged if assembled incorrectly or in the wrong sequence.
- **Please follow instructions.**
Suncast is not responsible for replacing parts lost or damaged due to incorrect assembly.
- **Check for all parts before you begin assembly.**
Using the provided parts check list on pages 3-9, verify that you have all the parts required to construct your shed model. **COMPLETE SITE PREPARATION AND FOUNDATION CONSTRUCTION BEFORE UNPACKING ALL PARTS.**
- **Assistance is required during entire assembly.** 



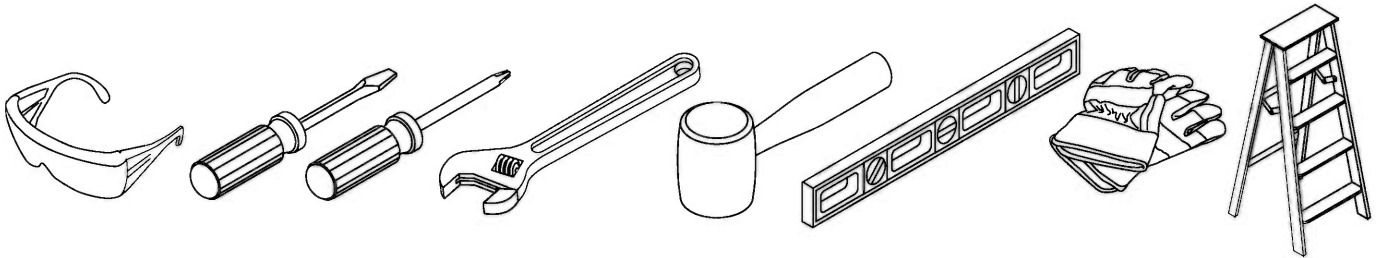
CAUTION

- Proper site preparation required.
- Shed not intended for use in extreme weather conditions.
- Shed not intended for storage of flammable or caustic chemicals.
- Store heavy items near the bottom of shed.
- Shed not intended for use by children.
- **DO NOT** stand, sit, or store items on storage shed roof.
- Treat carefully in extreme temperatures.
- Repair or replace broken parts immediately.
- Suncast is not responsible for damage caused by weather or misuse.
- At regular intervals inspect your shed to make sure that assembly integrity has been maintained.
- Periodically check that the location you have chosen to set your shed is still level.
- This kit contains parts with metal edges. Please be careful when handling.

Shed Safety and Care

- Wash shed with garden hose or mild detergent solution and soft cloth. **DO NOT** use a stiff brush or abrasive cleaner as that could damage shed. **DO NOT** use bleach or other caustic cleaners.
- Hot items, such as recently used grills, blowtorches, etc., must not be stored in the shed.
- Heavy articles should not be leaned against the walls, as this may cause panel distortion and permanent damage.
- Keep roof clean of snow and leaves.

Tools Needed for Installation

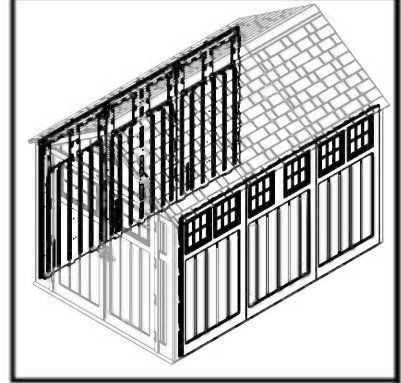


Assembly Day Tips

- Complete site preparation and foundation construction before unpacking parts and beginning assembly.
- **DO NOT** attempt to assemble on a day with strong winds.
- **DO NOT** attempt to assemble on days when temperature is below 32 degrees.
- Set aside appropriate amount of time to completely assemble shed. Assembly time is approximately 4 hours.
- Make sure you have assistance nearby to lift and secure parts in place.
- Wear light duty work gloves while assembling shed.
- Once roof is assembled, a flashlight may be of use when assembling smaller components inside shed.

Note: This product contains parts that are used in different orientations to construct the shed. Please take note of the orientation of the parts shown throughout this instruction manual. Failure to follow instructions could result in damage to parts. Suncoast is not responsible for replacing parts lost or damaged due to incorrect assembly.

Parts - BMS8000



P

0B00024 – Side middle panel
x2



N

0B00032C1 – Side panel
x4

NN

0510567 – Side panel
window gasket
x12

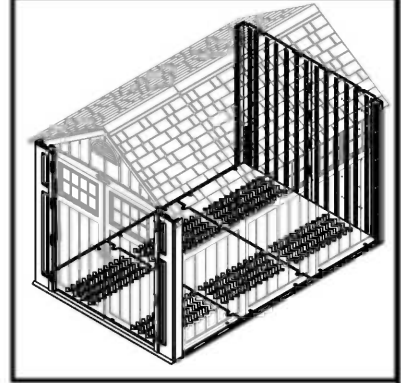
OO

0102089C3 – Side panel
window frame
x12

PP

0510552 – Side panel
window
x12

Parts

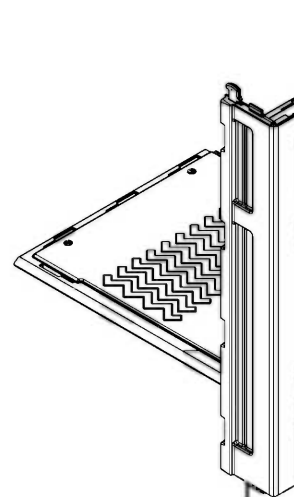
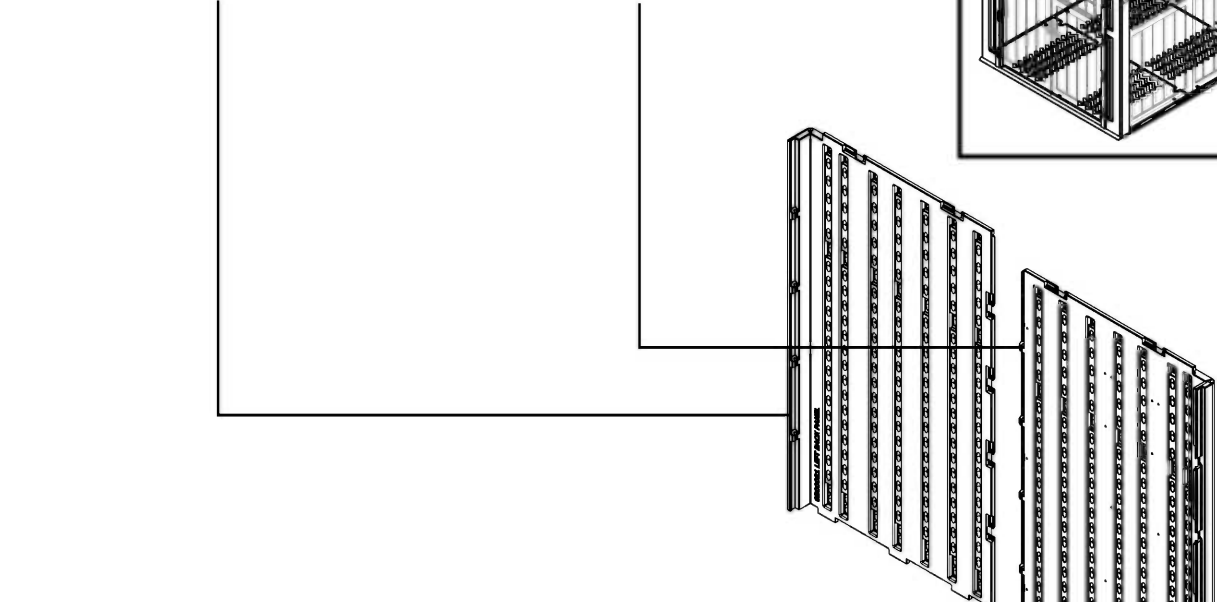


D

OB00031C1 – Left back panel

E

OB00027C1 – Right back panel



C

OB00038C1 – Left front panel

F

OB00030C1 – Right front panel

A

OB00029C4 – Floor front

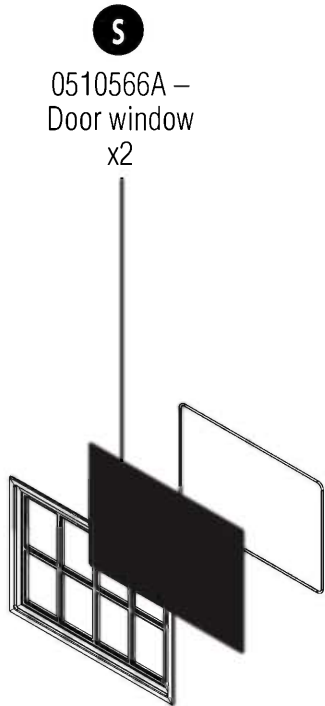
S

OB00026 – Floor middle

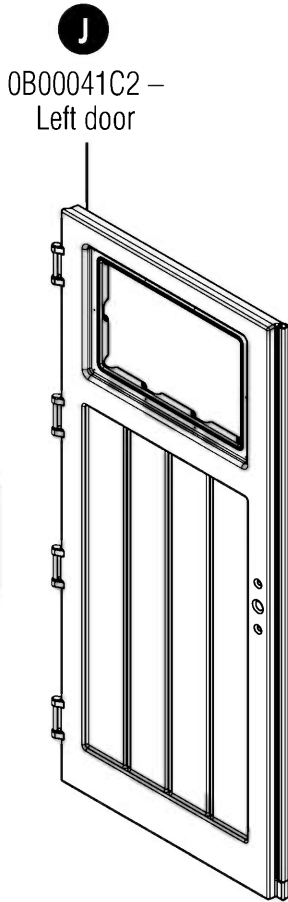
B

OB00023C4 – Floor rear

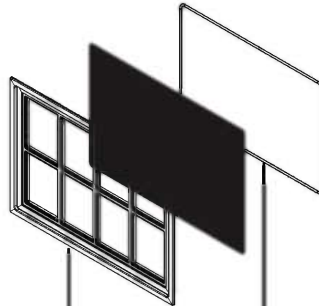
Parts



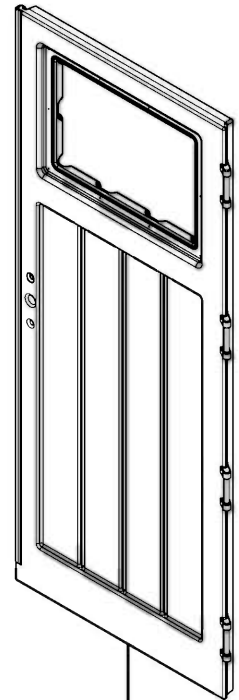
S
0510566A –
Door window
x2



J
0B00041C2 –
Left door



T
0102086C3 – Door
window frame
x2

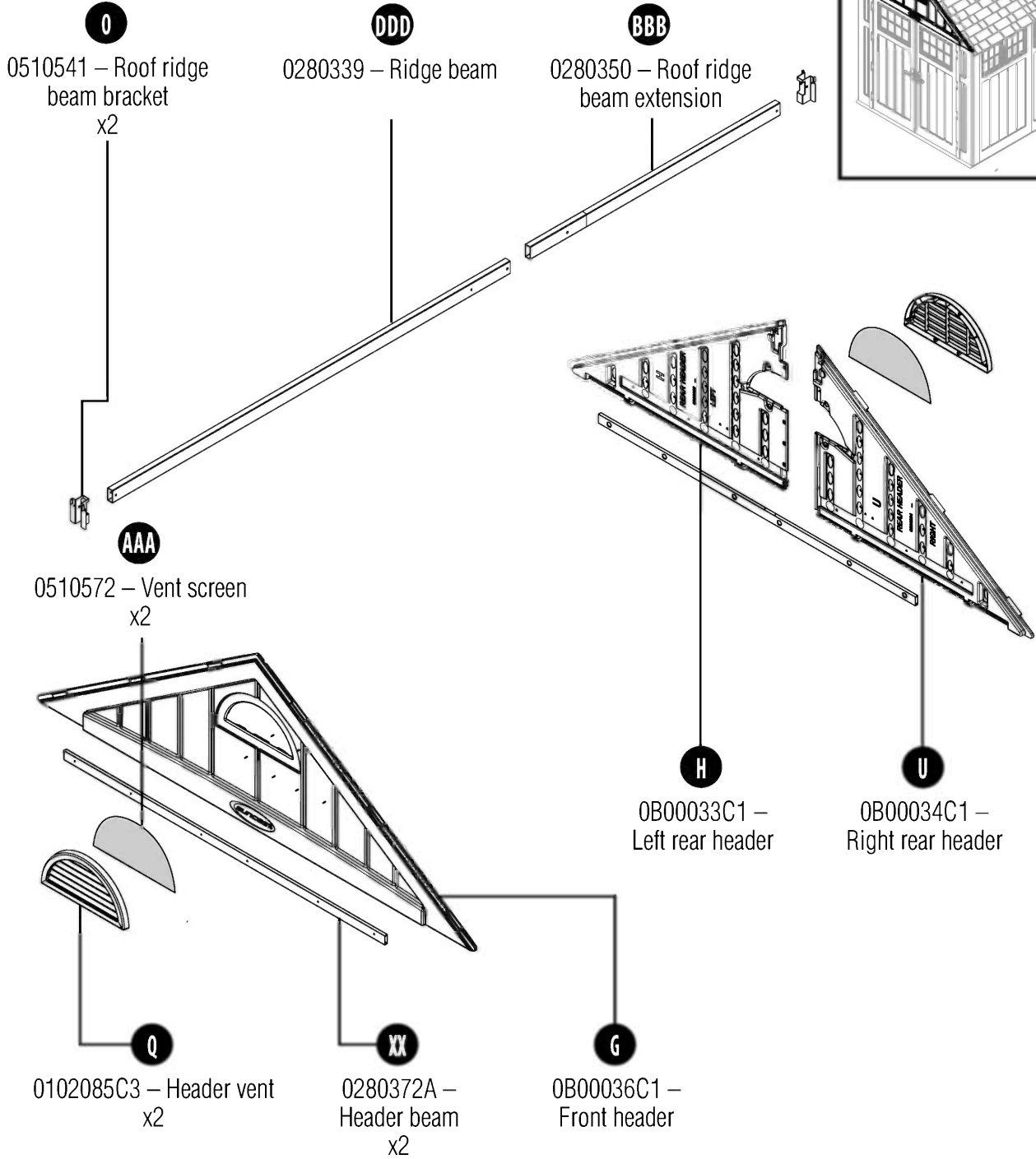


I
0440546 – Door
window gasket
x2

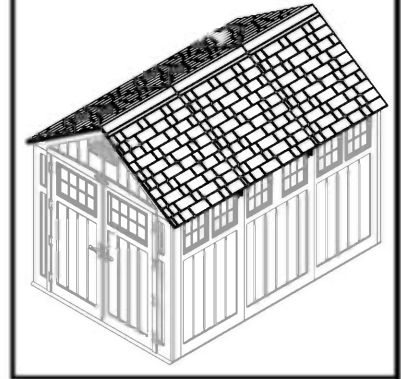
K
0B00039C2 –
Right door



Parts



Parts



WW

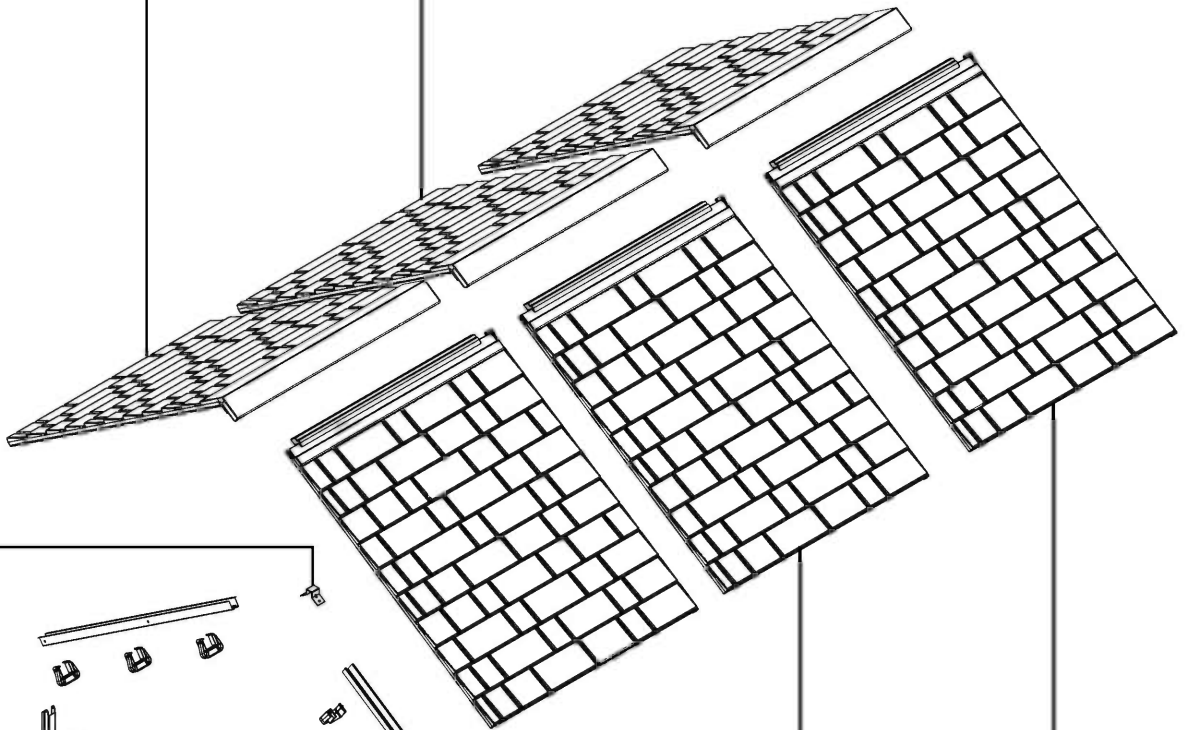
0510551 –
Truss bracket
x2

L

0B00042C4 –
Left roof
x2

Q

0B00040 –
Left middle roof
x1



RR

0510548 – Truss leg
x4

TT

010208810 –
Roof connector
x12

R

0B00035 –
Right middle roof
x1

M

0B00037C4 –
Right roof
x2

SS

0510542 – Truss cross brace
x2

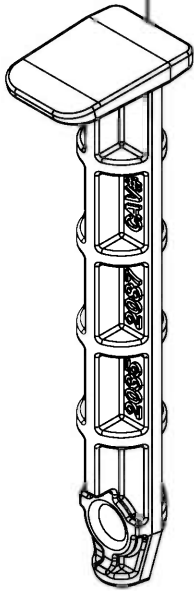
UU

0510545 – Truss tie down
x4

Hardware

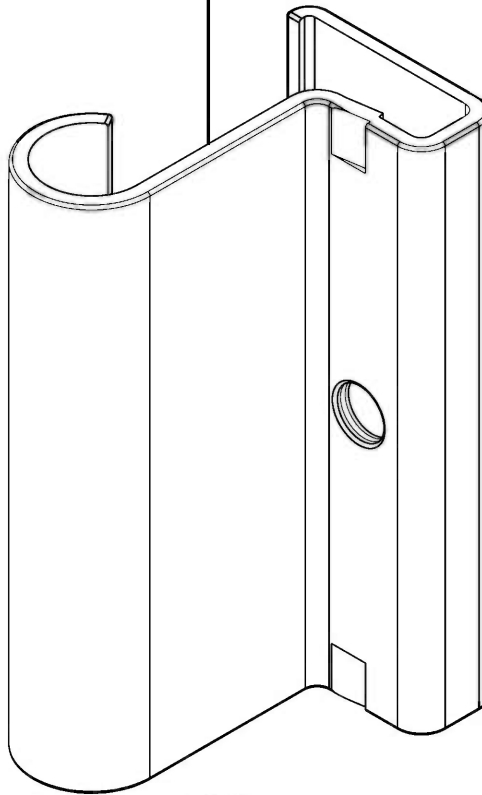
V

0102087C1 – Panel connector pin
x53



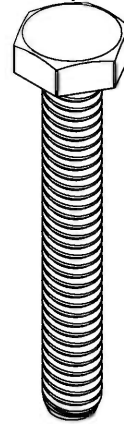
W

0510550A – Metal hinge plate
x8



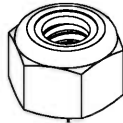
X

0200025 – 2" Hex head cap screw
x11



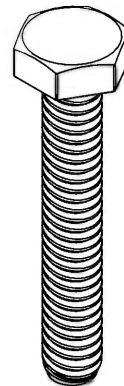
Y

0210171 – .25 - 20 x .75
Phillips machine screw
x8



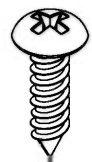
Z

0220045 – .25 - 20 Nut
x23



VV

0200033 – 1" Hex head cap screw
x4



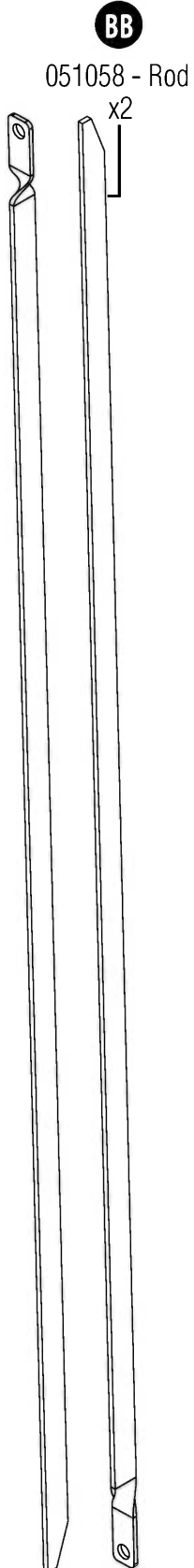
AA

0210180 –
Pan head screw
x220

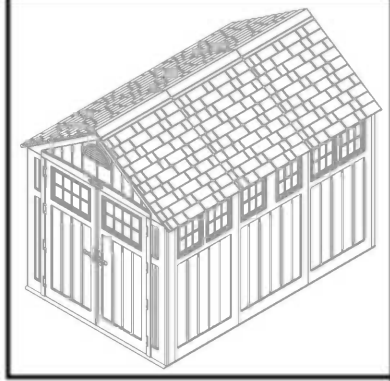
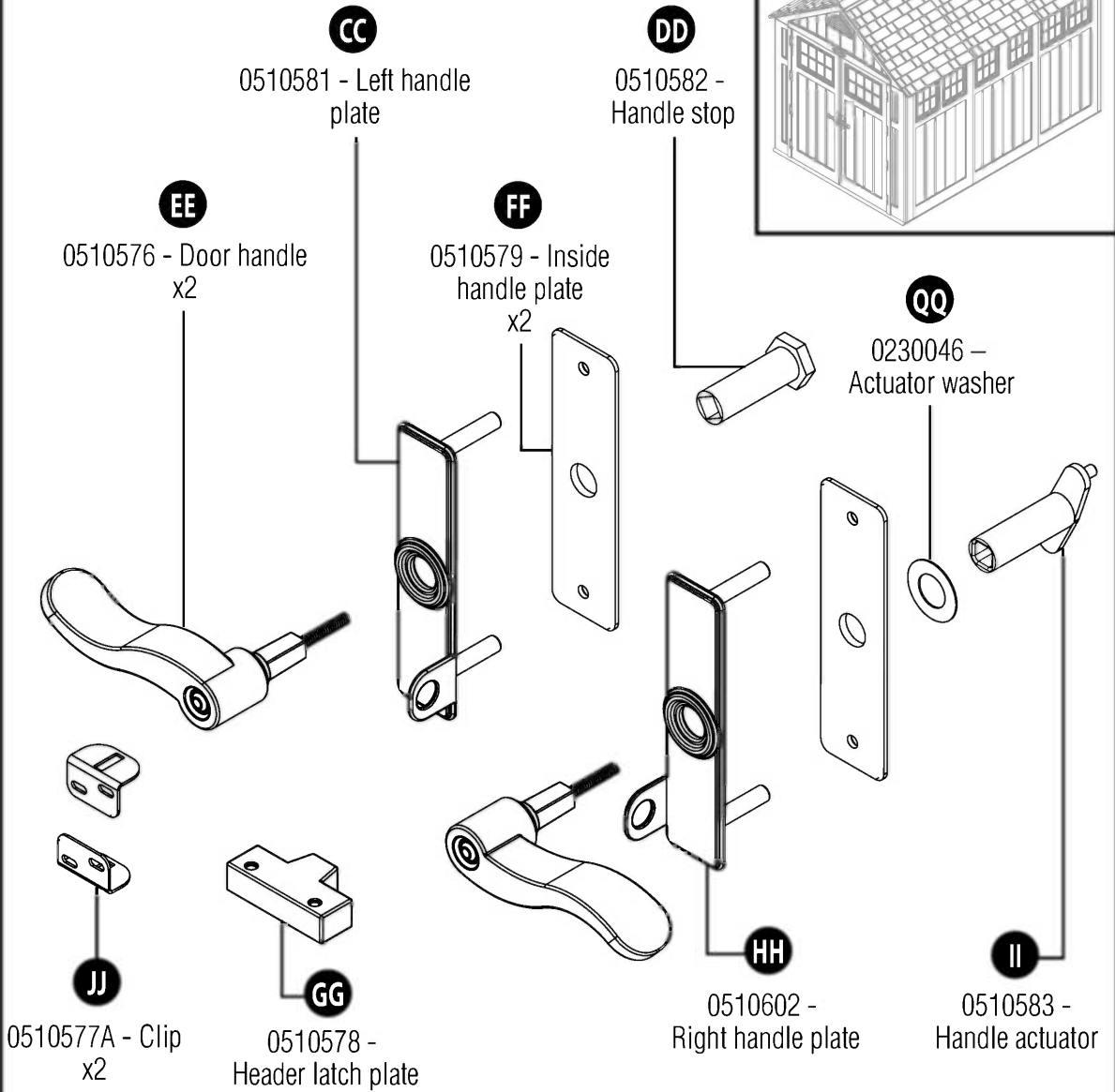
Shown Actual Size

Door Handle

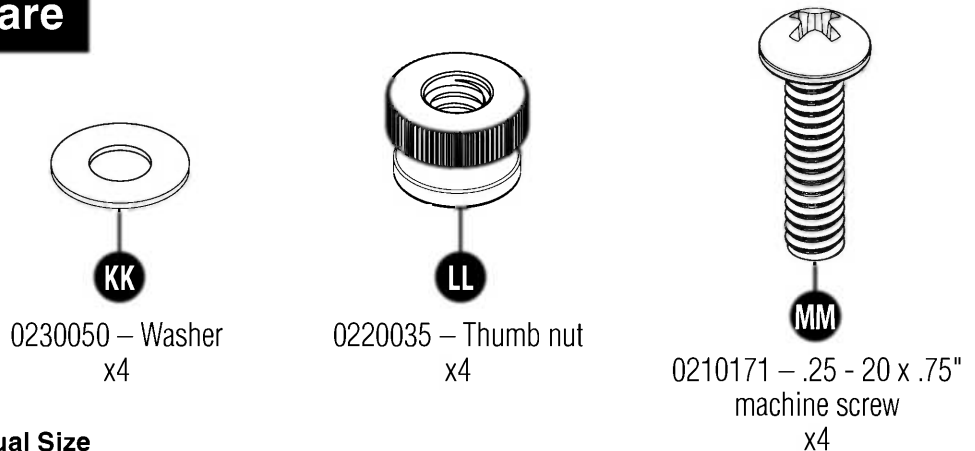
0440565 – Door Handle Rod Kit



0440543 – Door Handle Kit



Hardware



Shown Actual Size

Site Preparation and Platform Construction

(Materials NOT supplied with Shed Kit)

Note: *Site preparation is required for this shed. Placing the shed on a constructed foundation is highly recommended. Without a constructed foundation, settling will probably occur, causing distortion and damage to the shed. Suncast is not responsible for replacing parts damaged or property lost due to incorrect assembly.*

Note: *Complete the site preparation and foundation construction before unpacking parts and beginning assembly.*

Complete the site preparation and platform construction before unpacking parts.

To prepare your shed site, follow the below steps:

- 1) Consult your local authorities for building codes and covenants before beginning foundation or erecting shed.
- 2) Before any digging, check with local utilities to determine location of buried cables, pipes, etc.
- 3) Decide which type of foundation you want:
 - Concrete slab, 4" thick (**Recommended**)

or

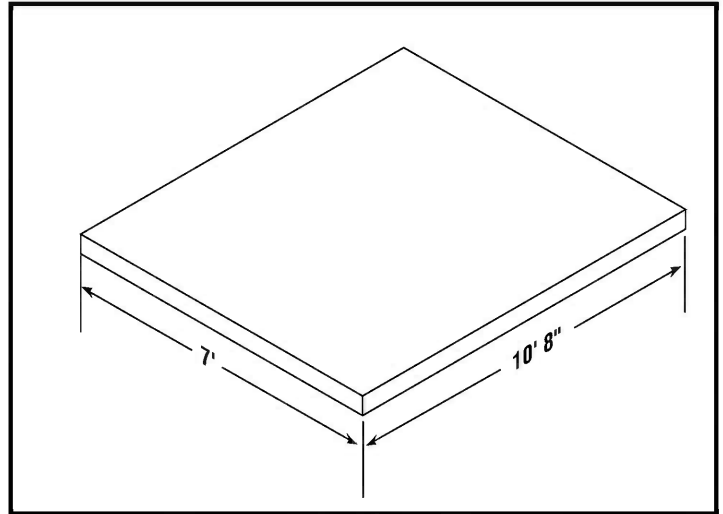
 - Wood platform (**Recommended**)
Use exterior grade wood. The wood platform should be set on pier blocks or footing. Consult your local retailer for help to determine the best anchoring method for your particular installation. The provided plans are sized for the minimum number of cuts to lumber and plywood.
 - Without constructed foundation
See how to anchor assembled base to ground on page 11.
- 4) Prepare the building site:
 - The ground should slope away from the foundation area to provide drainage.
 - The foundation surface must be flat and level.
 - A vapor barrier should be provided to prevent excessive condensation in the shed.
 - Follow local building codes for a proper vapor barrier.
- 5) Anchoring the shed to the foundation:
 - Consult your local retailer for help to determine the best anchoring method for your particular installation.
 - To secure the shed to a concrete pad, use masonry fasteners available at your local hardware retailer.
 - To secure the shed to a wood platform, use 1/4" x 2" long lag screws with washers. See diagram on page 11 for anchoring locations.

Site Preparation and Platform Construction (continued)

(Materials NOT supplied with Shed Kit)

Anchoring floor panel to concrete slab

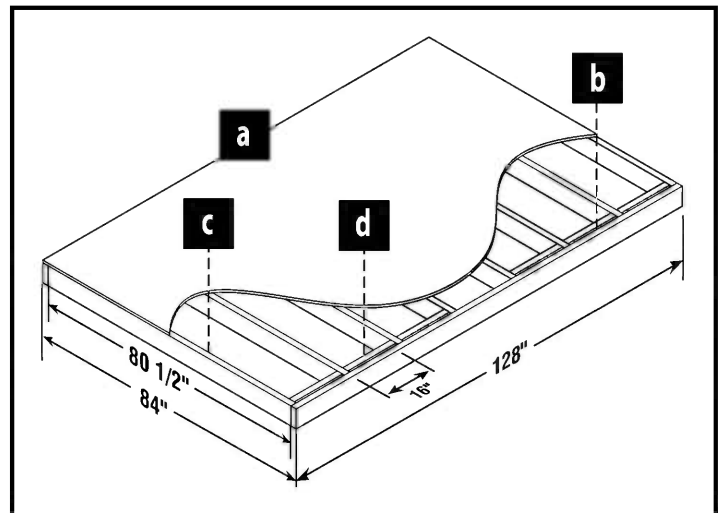
- Secure shed to concrete pad using masonry fasteners.
- Dimensions allow for approximately 1" extra on each side.



Anchoring floor panel to wood platform

- Secure shed to wood platform using 1/4" x 2" lag screws.

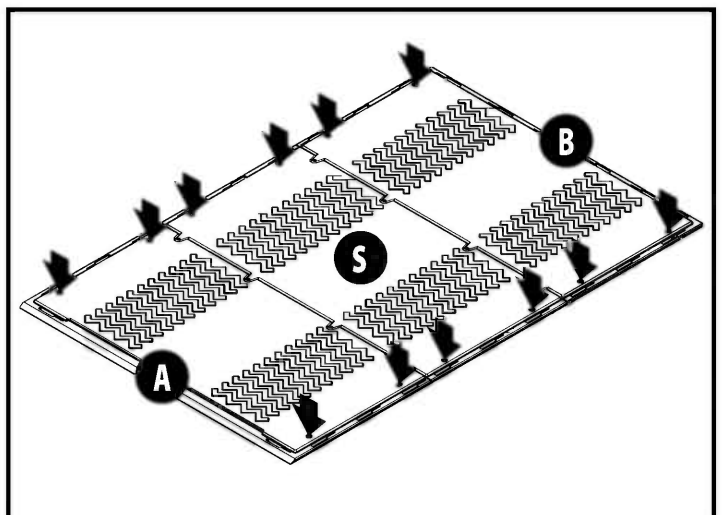
Wood Platform Materials List		
Item	Qty	Size
a	1	84" x 128" x 3/4" platform base
b	2	2" x 6" x 128"
c	8	2" x 6" x 80 1/2"
d	12	2" x 6" x 16"



Anchoring floor panel to ground

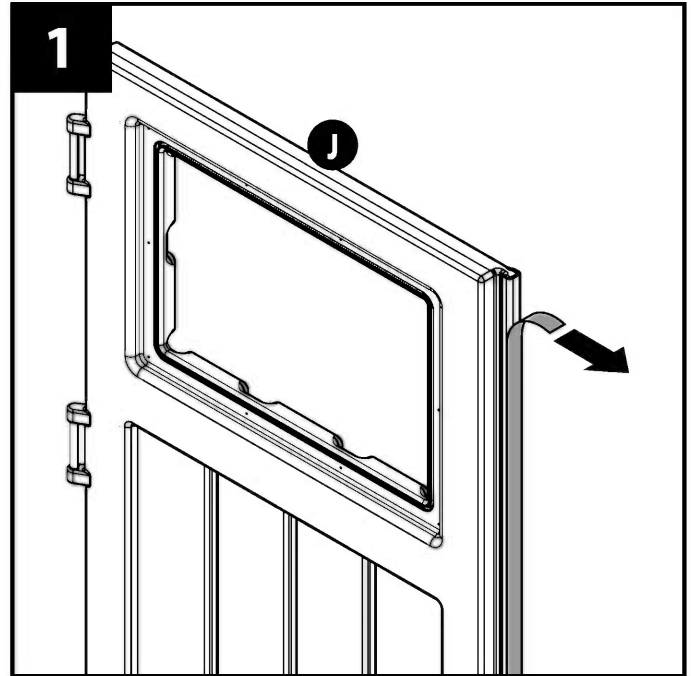
- Secure shed to ground using 12" nails (see below).

If you choose not to construct a foundation, the assembled shed base should be secured to the ground after site preparation is complete. Drill holes through the provided recess areas and insert 12" nails at an angle through the holes in the base and into the ground. 12" nails are available at home centers and hardware stores.

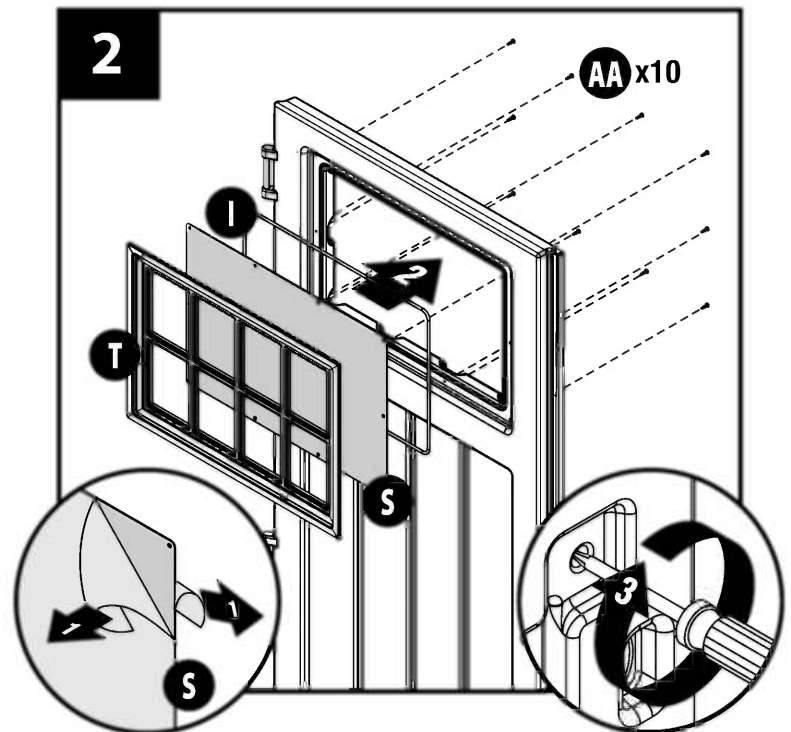


Door Pre-Assembly

Peel film off of door opening edge on both doors (J) (K).

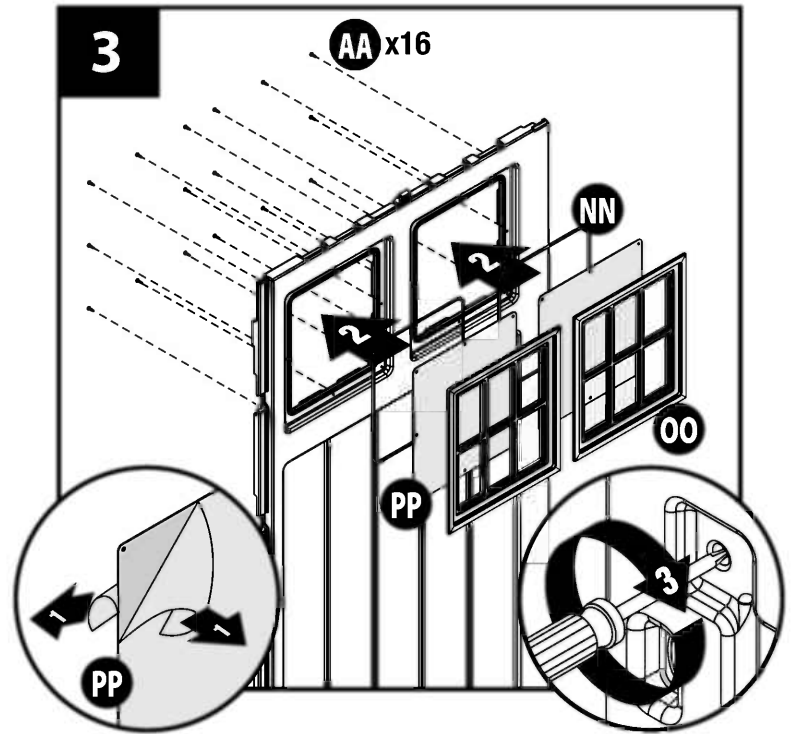


Peel film from both sides of door window (S). Stand left door (J) vertically. With at least two people (one person on each side of door), layer into door channel first the door window gasket (I), then the door window (S), finishing with the door window frame (T). Through the back of the door, secure layers with ten screws (AA) (start with four corner screws and then finish with remaining screws). **DO NOT** over tighten screws. Repeat on right door (K).



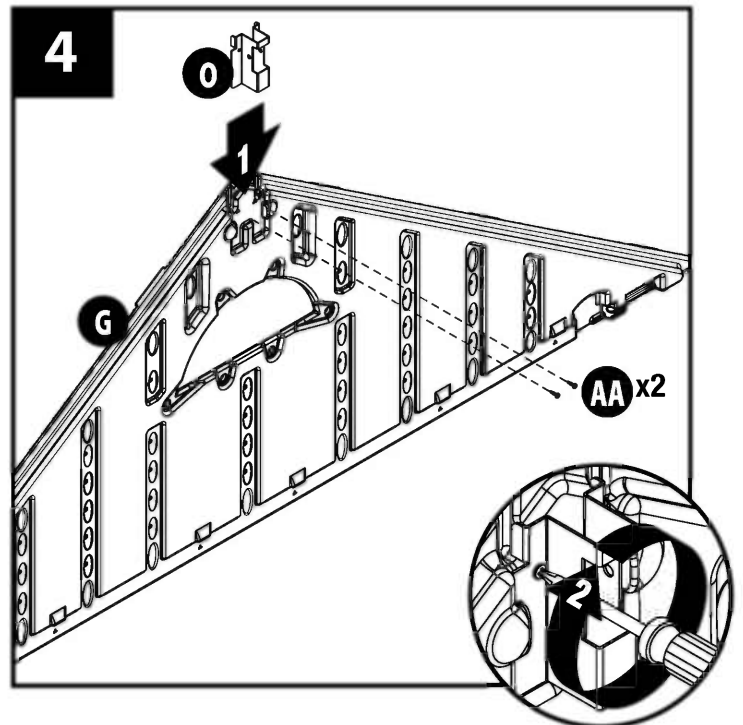
Side Panel Pre-Assembly

Peel film from both sides of two side panel windows (PP). Stand one side panel (N) vertically. With at least two people (one person on each side of side panel), layer into each window channel first the side panel window gasket (NN), then the side panel window (PP), finishing with the side panel window frame (OO). Through the back of the side panel, secure layers at both window channels with sixteen screws (AA) (start with four corner screws and then finish with remaining screws). **DO NOT** over tighten screws. Repeat on remaining side panels (N) and side middle panels (AAA).

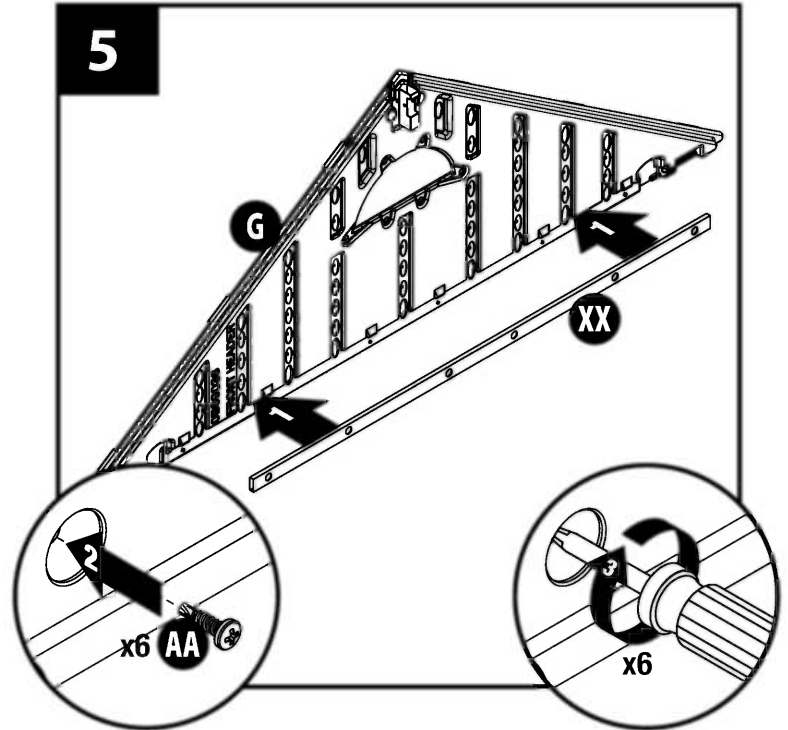


Front Header Pre-Assembly

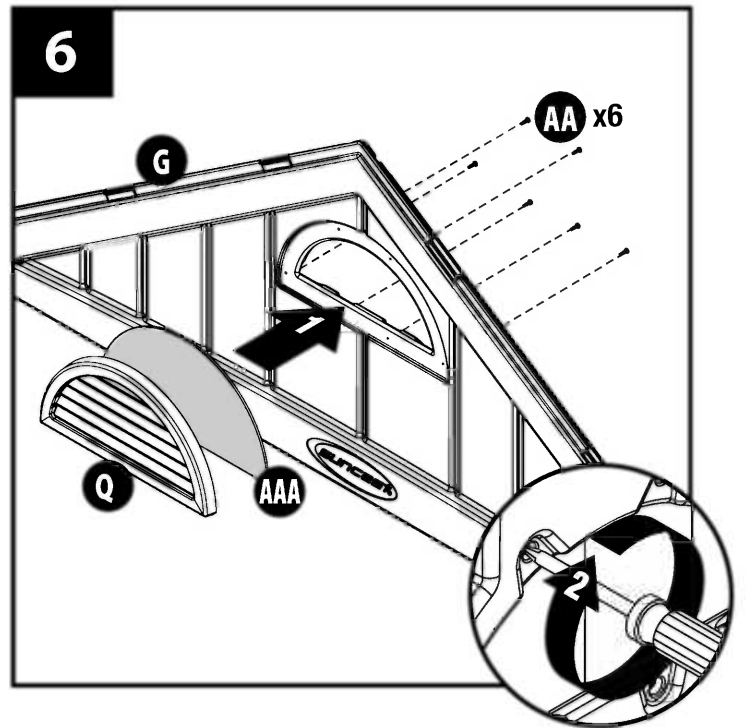
Slide roof ridge beam bracket (O) under tabs on the inside peak of the front header (G) and secure with two screws (AA). **DO NOT** over tighten screws.



Lay header (G) on ground with lettering side facing up. With at least two people (one on each side of header), place one header beam (XX) into the pocket on the inside of the header. Attach with six screws (AA). **DO NOT** over tighten screws.

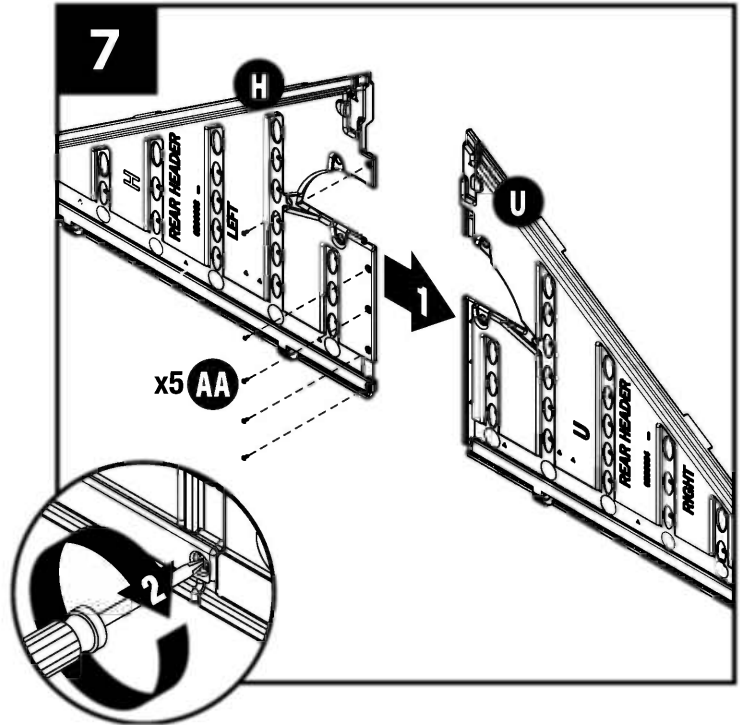


With at least two people (one on each side of header), place vent screen (AAA), followed by header vent (Q) into front opening in front header (G). Secure through back of header with six screws (AA). **DO NOT** over tighten screws.

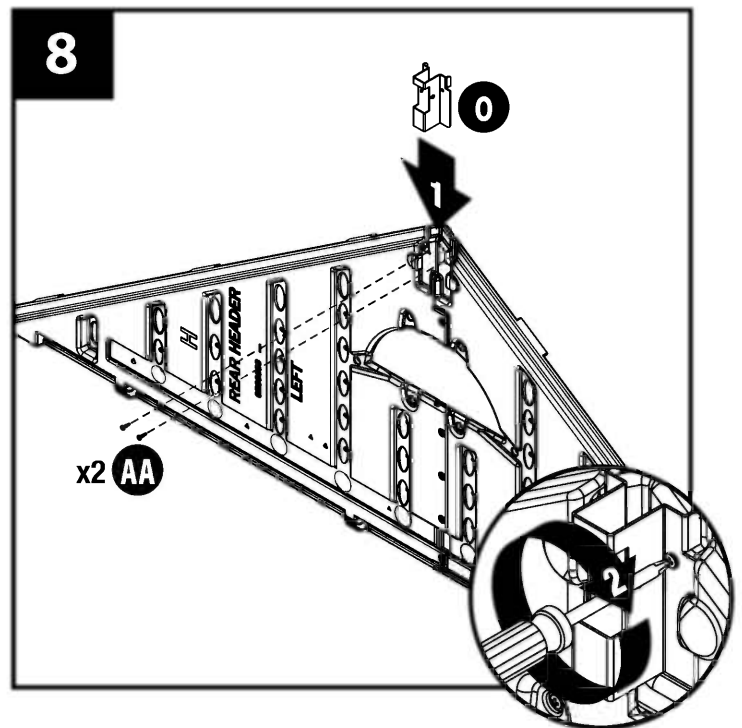


Rear Header Pre-Assembly

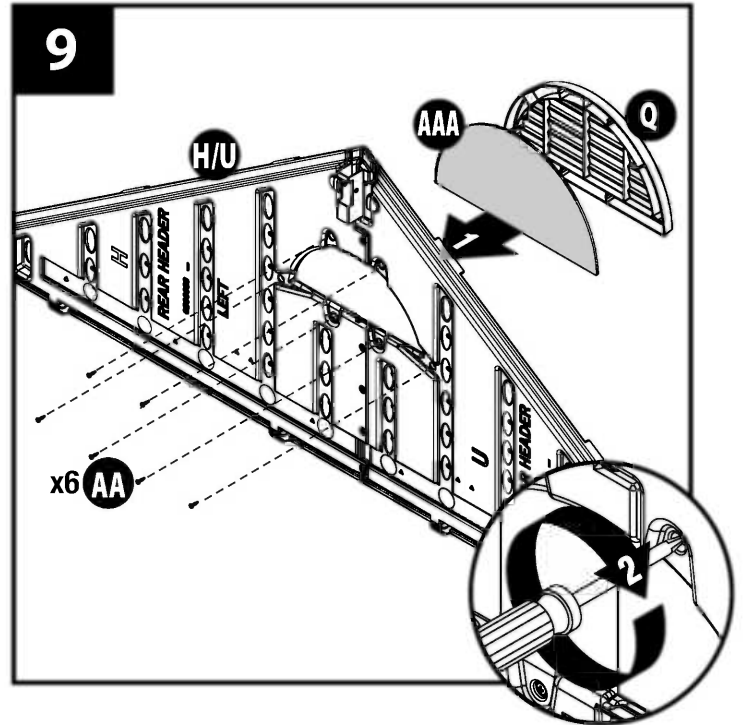
Join left rear header (H) to right rear header (U). Hold halves together and secure with five screws (AA). **DO NOT** over tighten screws.



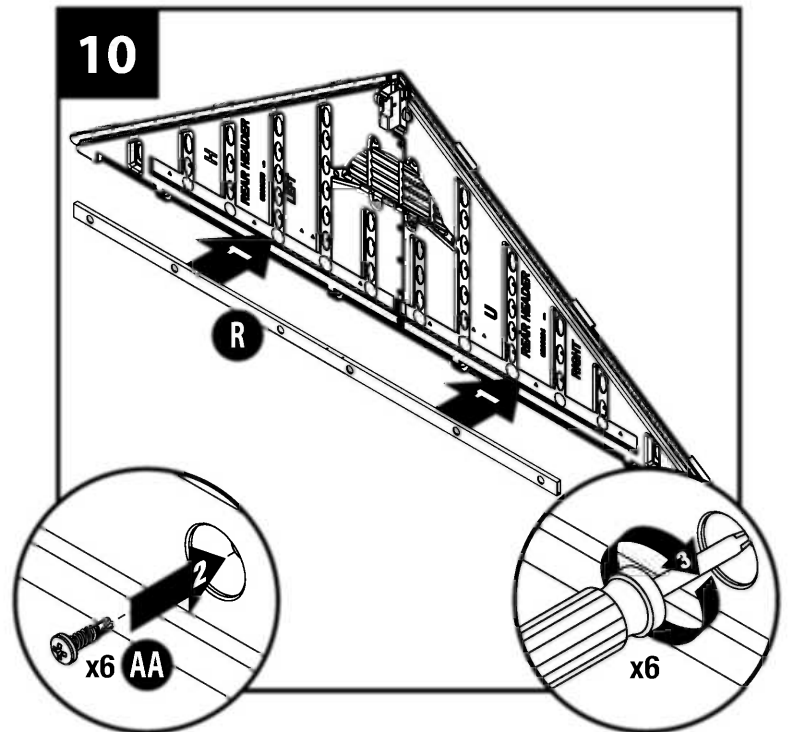
Slide remaining roof ridge beam bracket (O) under the tabs on the inside peak of the rear header assembly. Secure with two screws (AA). **DO NOT** over tighten screws.



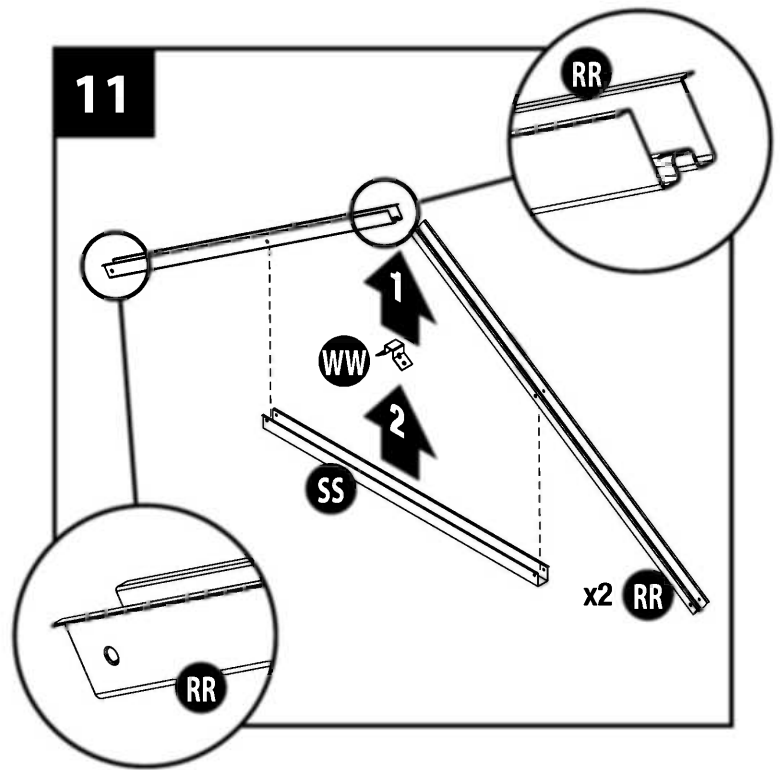
With at least two people (one on each side of header), place vent screen (AAA), followed by header vent (Q) into front opening in rear header. Secure through back of header with six screws (AA). **DO NOT** over tighten screws.



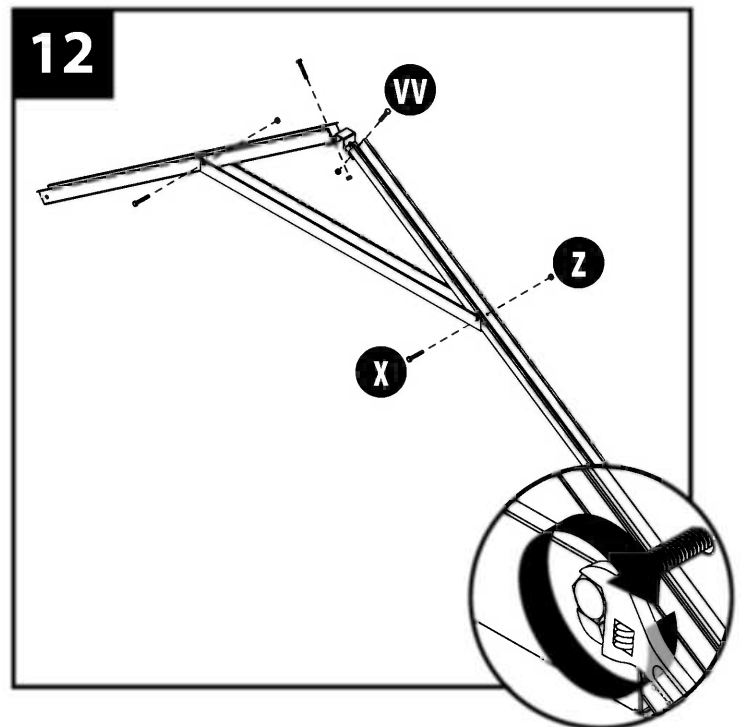
Lay header on ground with lettering side facing up. With at least two people (one on each side of header), attach the header beam (XX) into pocket on the inside of the header with six screws (AA). **DO NOT** over tighten screws.



Place one truss leg (RR) at each side of the truss bracket (WW). Place truss cross beam (SS) under both truss legs.

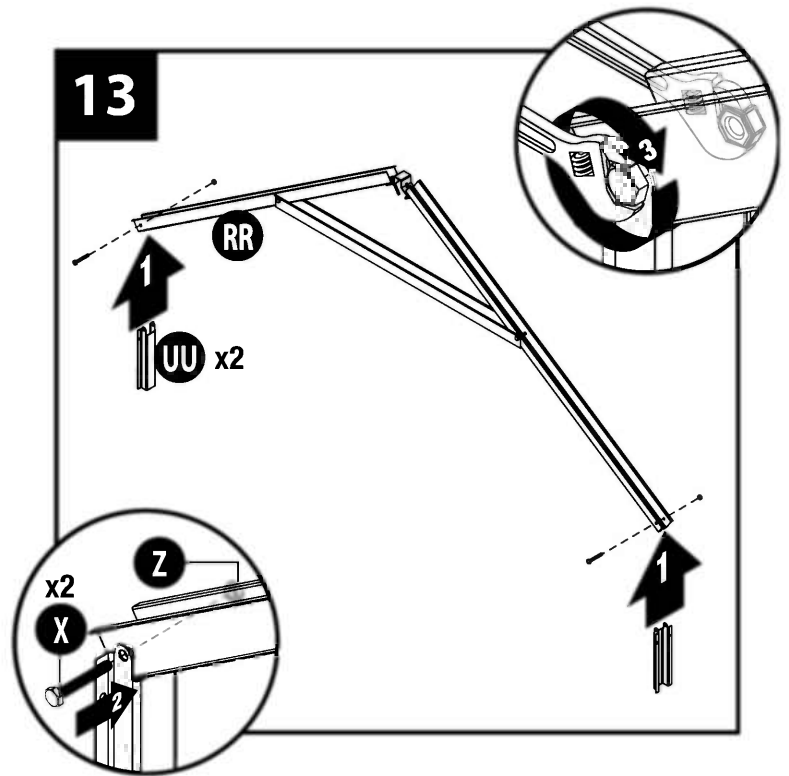


Attach truss legs to truss bracket using one 1" hex head cap screw (VV) and one nut (Z) at each end of bracket. Attach truss cross beam to truss legs using one 2" hex head cap screw (X) and one nut (Z) at each end of cross beam. Stand A-configuration truss on its feet and check cross beam is level. Repeat for second truss.

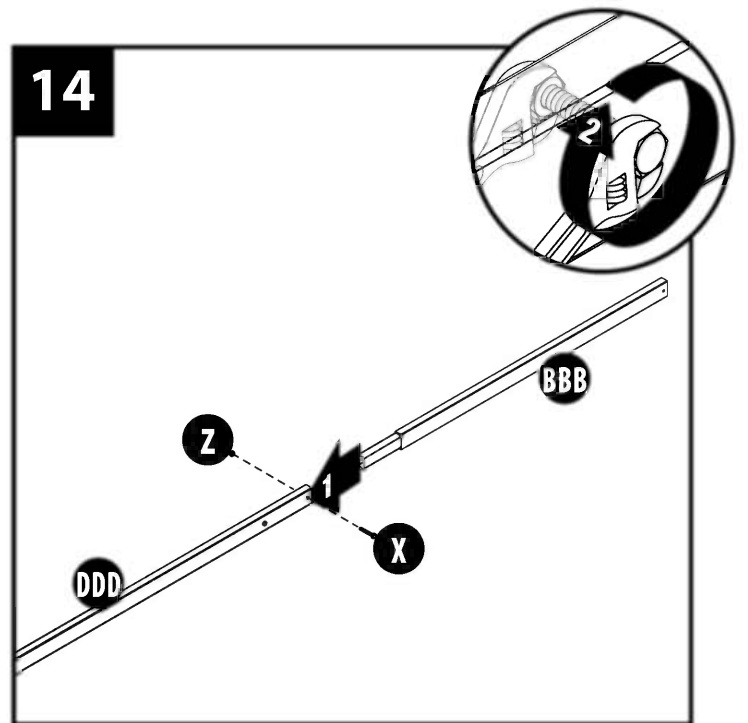


Place one truss tie down (UU) at each end of truss legs. Secure each truss tie down with one 2" hex head cap screw (X) and one nut (Z). Repeat for second truss.

Note: Do not over tighten truss tie down (UU) onto end of truss legs (RR). This makes roof assembly difficult.

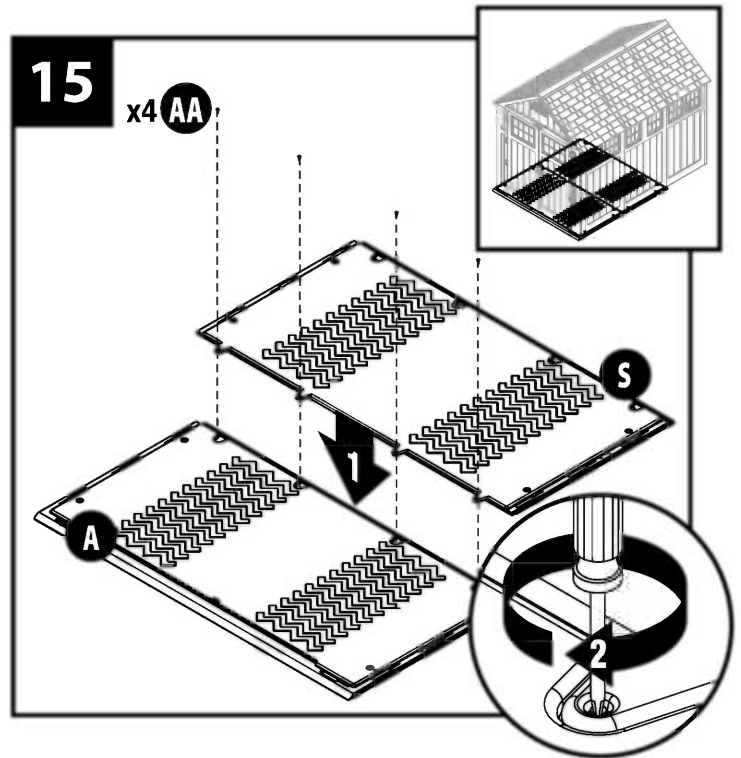


Insert the roof ridge beam extension (BBB) into the ridge beam (DDD). Secure with one 2" hex head cap screw (X) and one nut (Z).

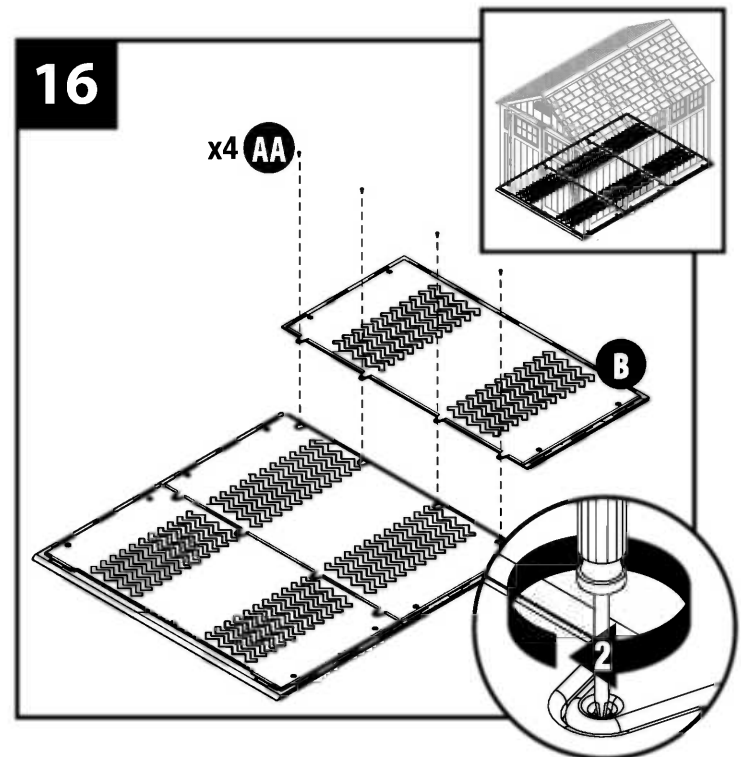


Shed Assembly

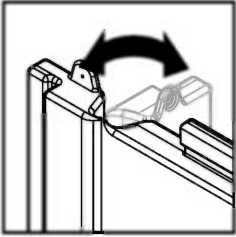
Push floor front (A) and floor middle (S) panels together and secure with four screws (AA).



Push floor middle and floor rear (B) panels together and secure with four screws (AA).

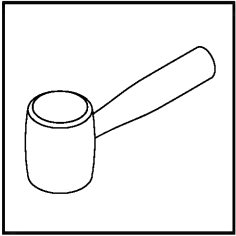


Flex left front panel (C) hinge back and forth several times.

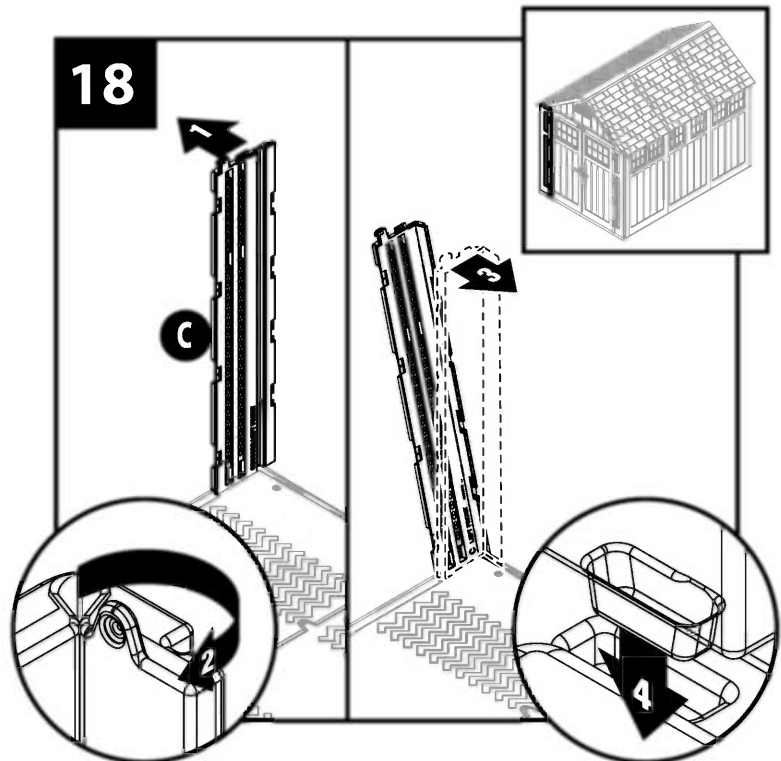
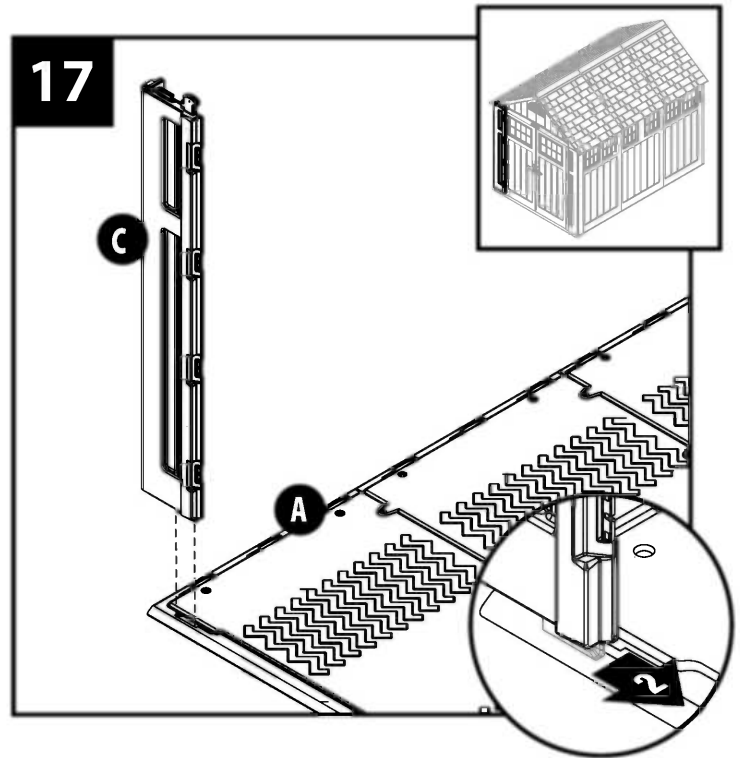


With at least two people, align the tab on the bottom of the left front panel (C) with the slot on floor front (A). Lower the panel into the slot and lock in place by sliding the panel toward the door opening.

Note: Use a rubber mallet to “push” left front panel (C) into locked position (start with left front corner).

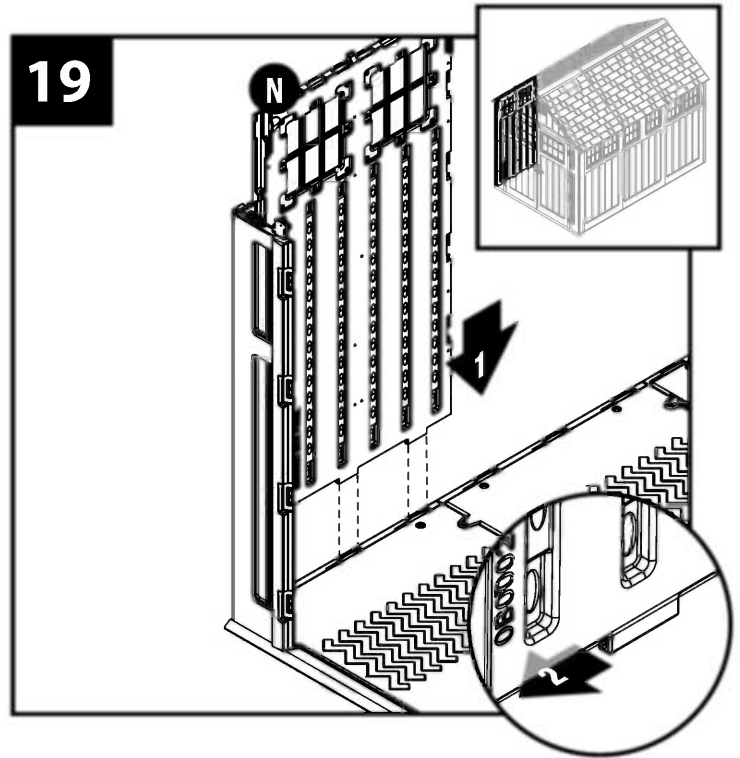
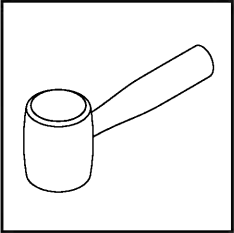


Tip the left front panel outward slightly. Bend the corner, then tip the panel back to vertical position, making sure to align the lower tab on corner with the slot in the floor panel.

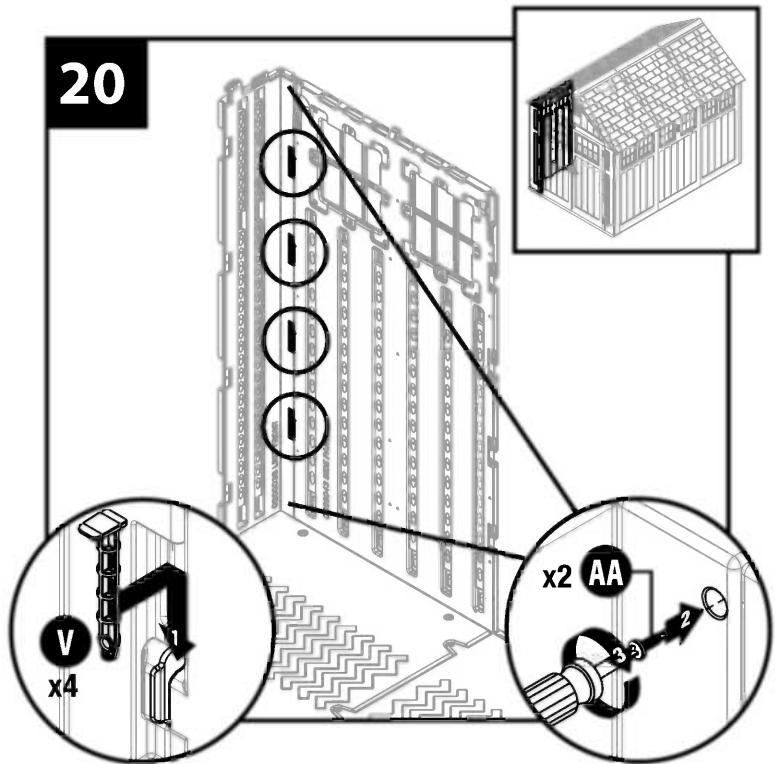


With at least two people, align the tabs on the bottom of side panel (N) with the slots along the floor front panel. Lower the panel into the slots and lock in place by sliding the panel toward the corner.

Note: Use a rubber mallet to “push” side panel (N) into lock position, aligned with left front panel.



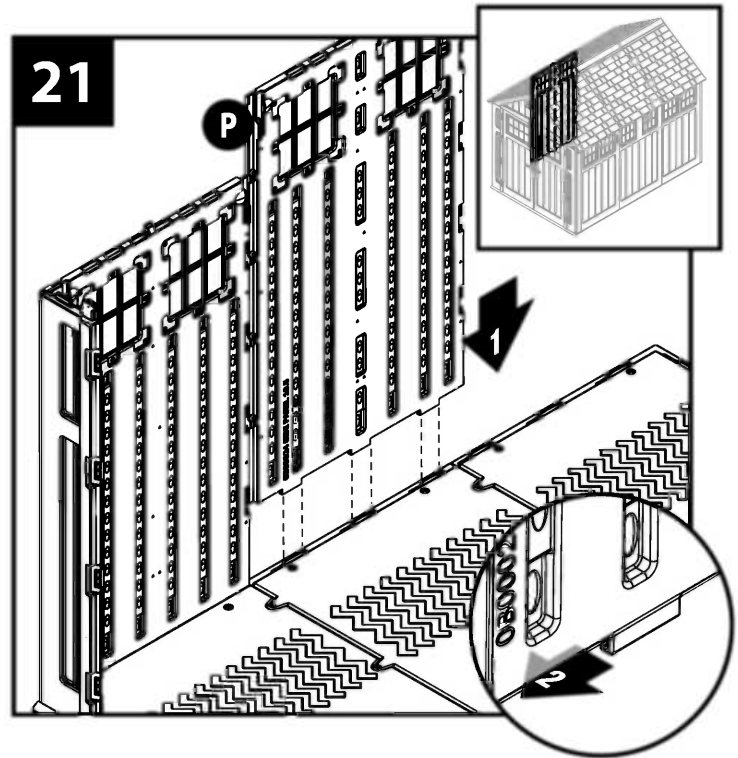
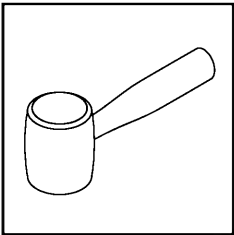
Secure the corner with four panel connector pins (V). From the outside, push the edge of side panel to help align pins. Install one screw (AA) at top and bottom of overlap. **DO NOT** over tighten screws.



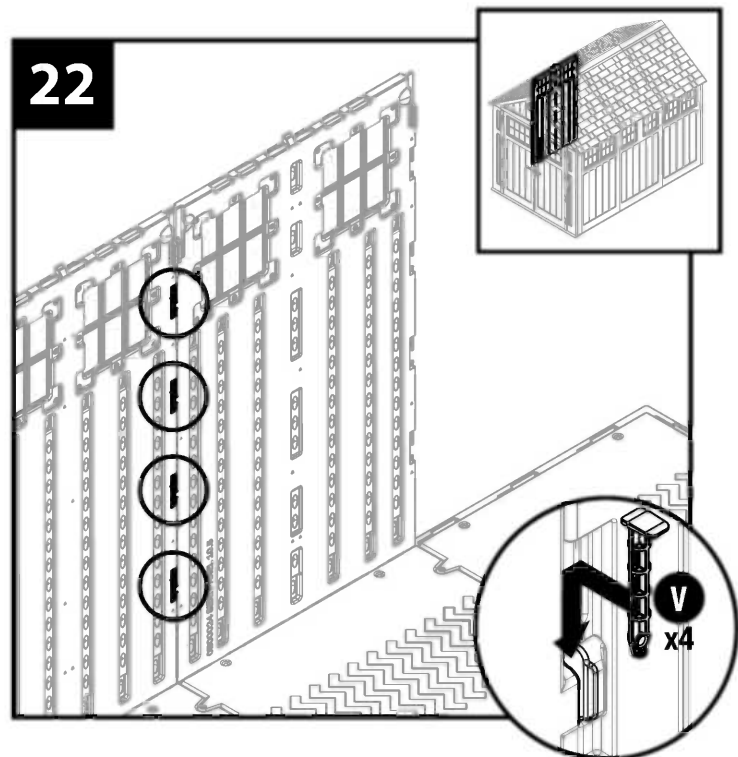
With at least two people, align the tabs on bottom of side middle panel (P) with slots along floor middle panel. Lower the panel into the slots and lock in place by sliding the panel toward the corner.

Note: To allow the side middle panel to overlap previous side panel, tilt out slightly as you slide it into position.

Note: Use a rubber mallet to “push” middle side panel (P) into locked position, aligned with previously installed side panel.



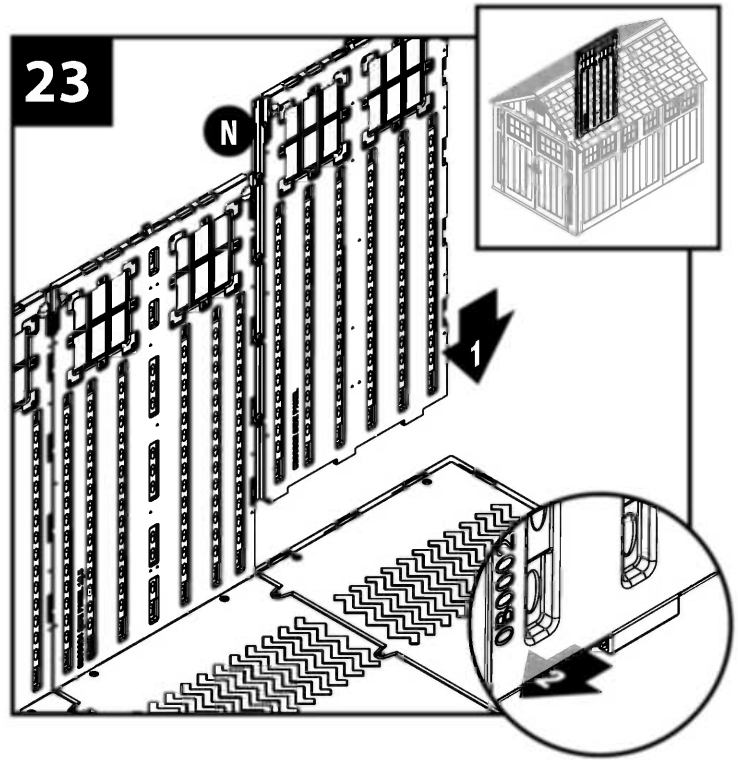
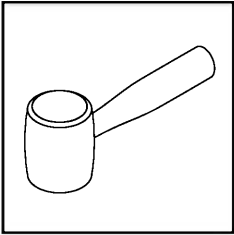
Secure the side and middle panels with four panel connector pins (V). From the outside, push the edge of side panel to help align pins.



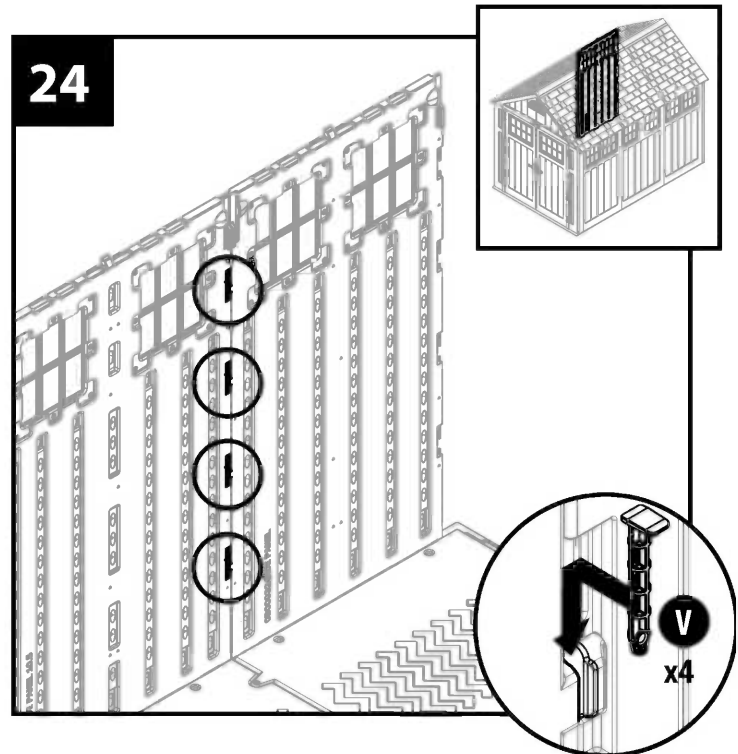
With at least two people, align the tabs on bottom of side panel (N) with slots along floor rear panel. Lower the panel into the slots and lock in place by sliding the panel toward the corner.

Note: To allow the side panel to overlap side middle panel, tilt out slightly as you slide it into position.

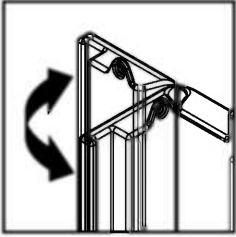
Note: Use a rubber mallet to “push” third side panel (N) into locked position, aligned with previously installed side panel.



Secure the middle and side panels with four panel connector pins (V). From the outside, push the edge of side panel to help align pins.

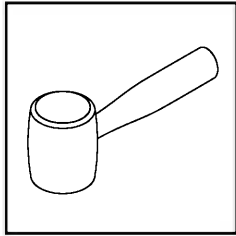


Flex left back panel (D) hinge back and forth several times.

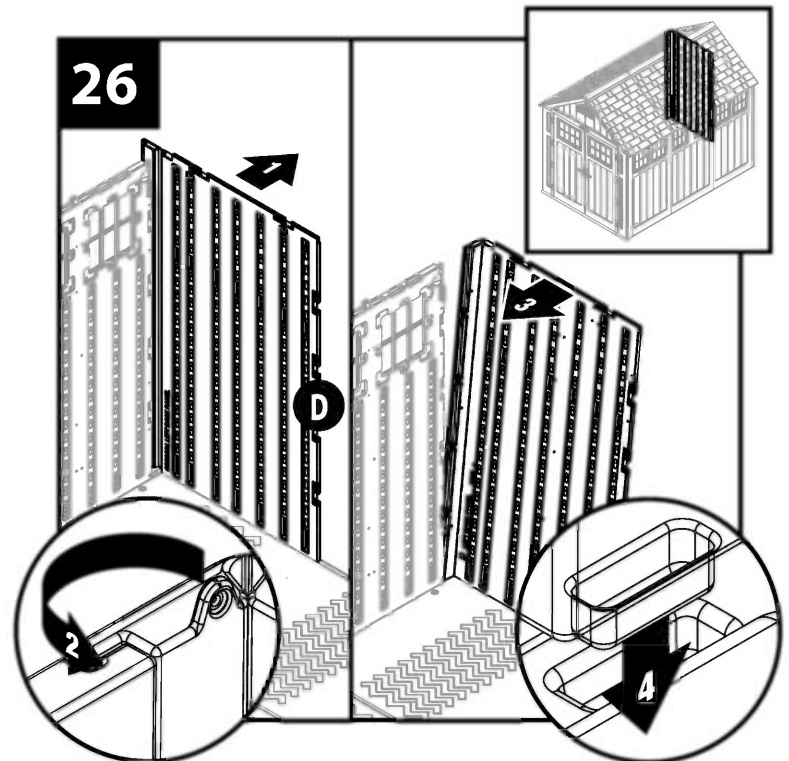
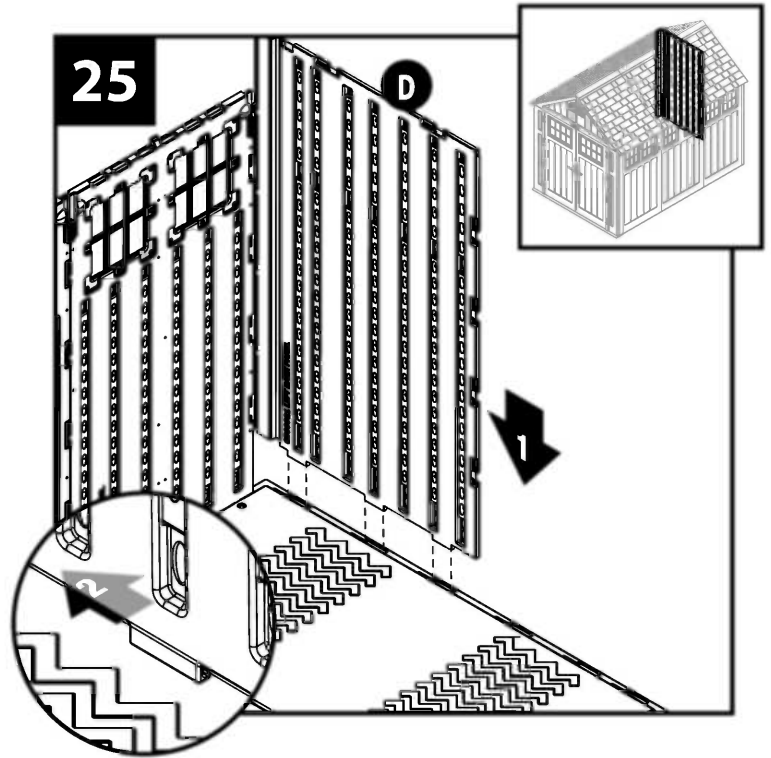


With at least two people, align the tabs on bottom of left back panel (D) with slots along floor rear panel. Lower the panel into the slots and lock in place by sliding the panel toward the corner.

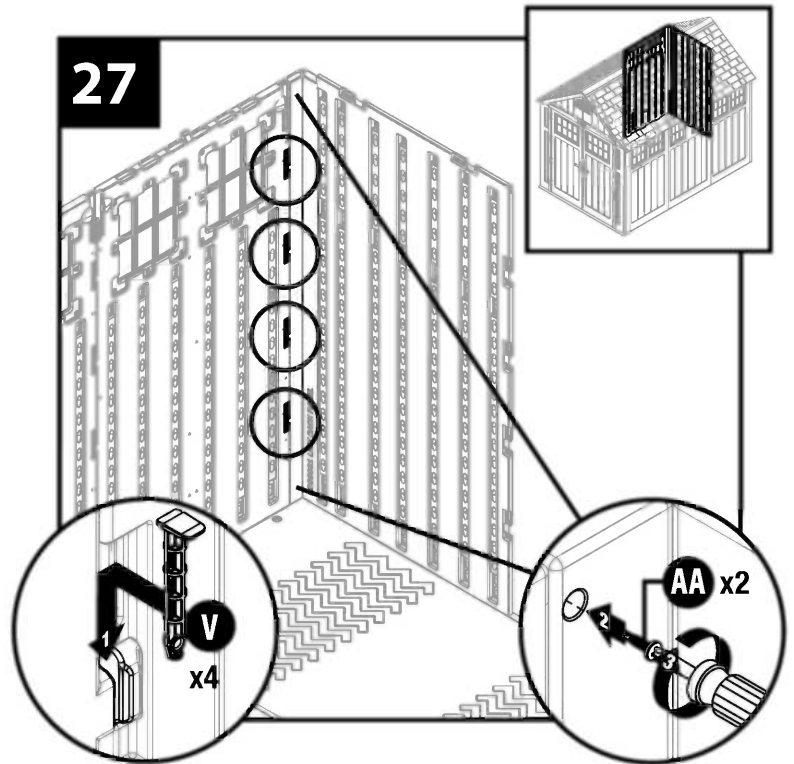
Note: Use a rubber mallet to “push” left back panel (D) into locked position, aligned with previously installed side panel.



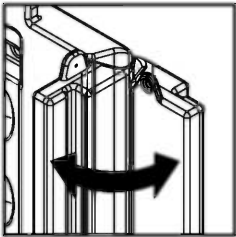
Tip the left back panel (D) outward slightly. Bend the corner hinge, then tip the panel back to vertical position making sure to align the lower tab on corner hinge with the slot in the floor rear panel.



Secure with four panel connector pins (V). From the outside, push the edge of left back panel to help align pins. Install one screw (AA) at top and bottom of overlap. **DO NOT** over tighten screws.



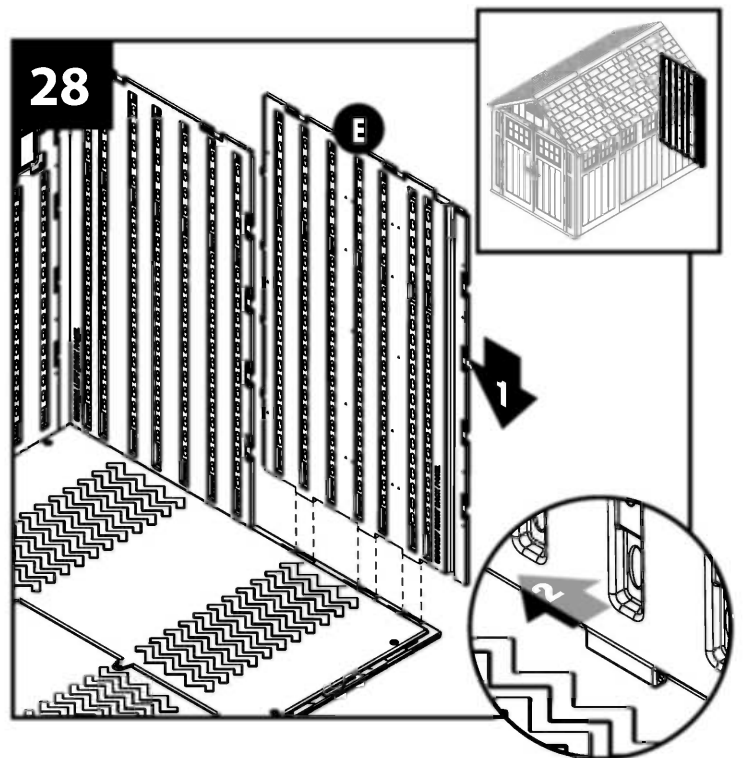
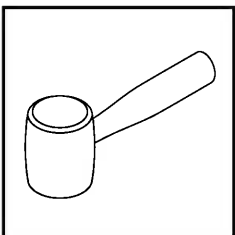
Flex right back panel (E) corner hinge back and forth several times.



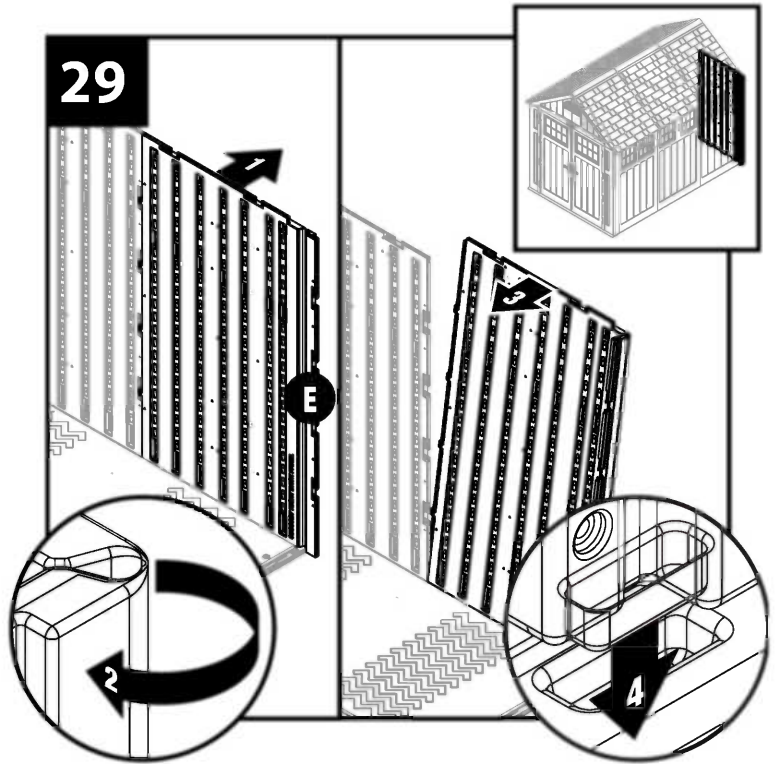
With at least two people, align the tabs on bottom of right back panel (E) with slots along floor rear panel. Lower the panel into the slots and lock in place by sliding the panel toward the corner.

Note: To allow the right back panel to overlap left back panel, tilt out slightly as you slide it into position.

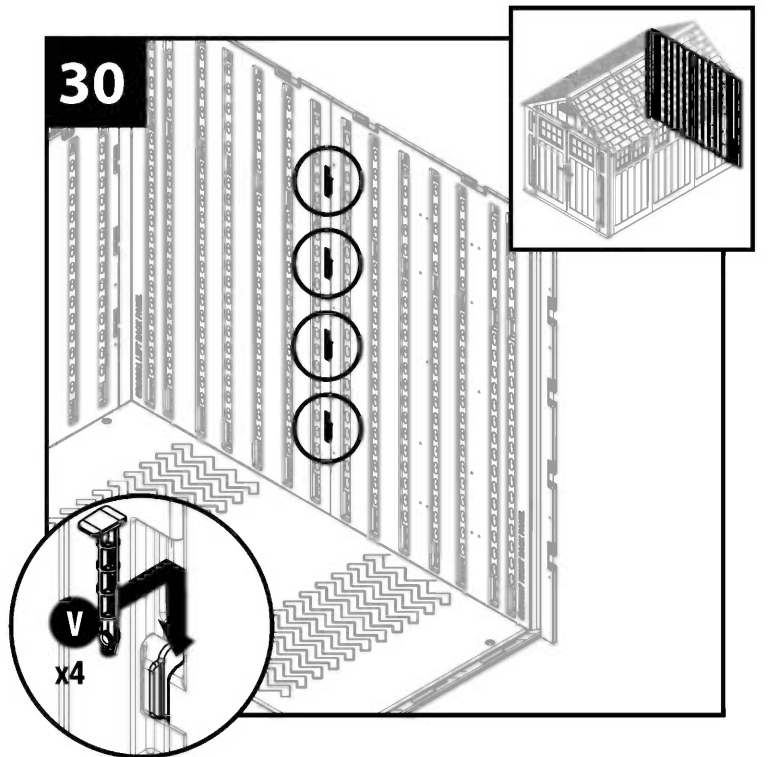
Note: Use a rubber mallet to “push” right back panel (E) into locked position, aligned with previously installed back panel.



Tip the right back panel (E) outward slightly. Bend the corner hinge, then tip the right back panel back to vertical position making sure to align the lower tab on corner hinge with the slot in the floor rear panel.

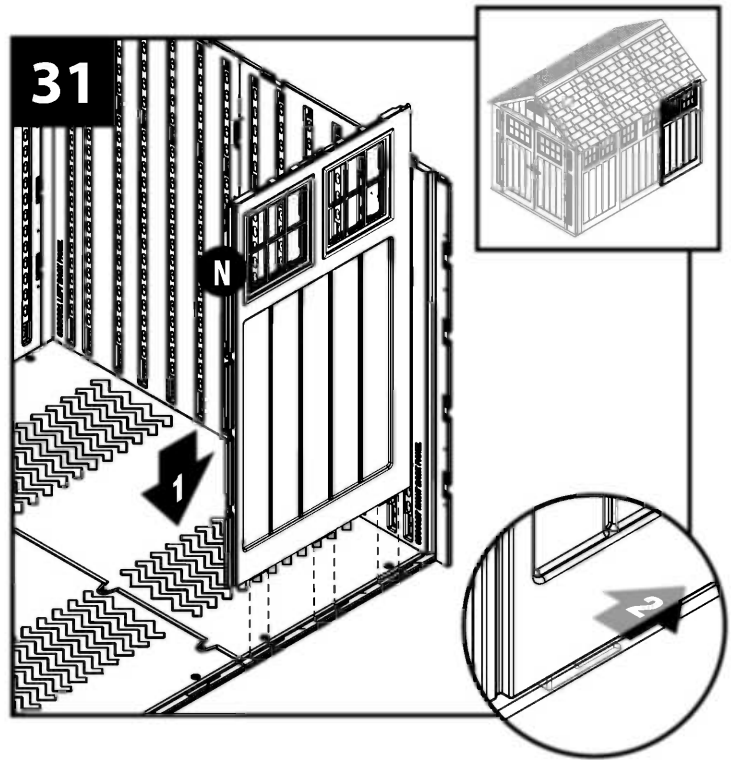
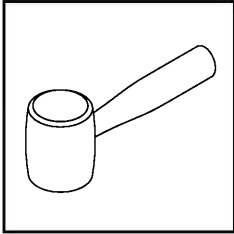


Secure the two back panels together with four panel connector pins (V). From the outside, push the edge of right back panel to help align pins.

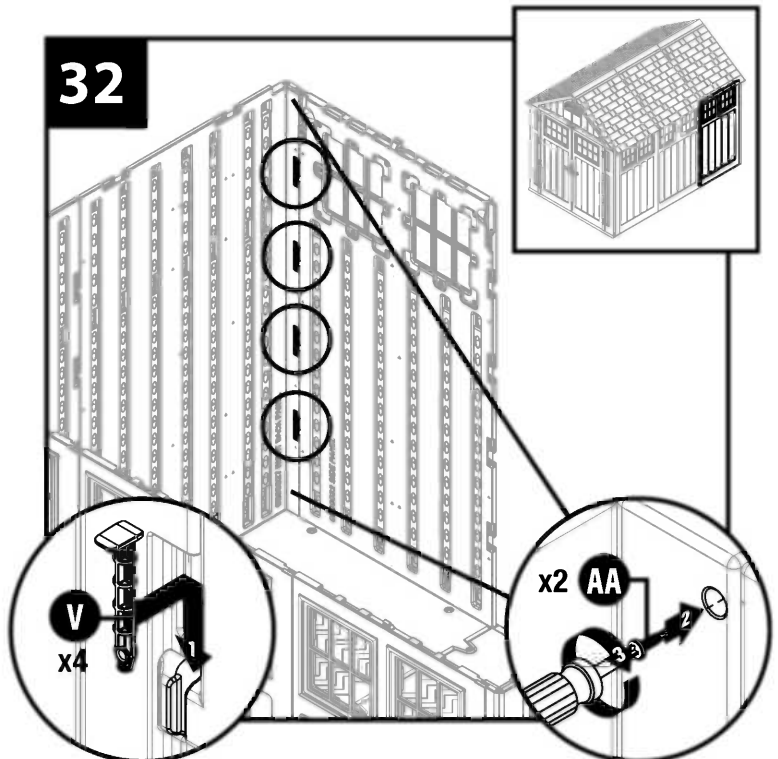


With at least two people, align the tabs on bottom of side panel (N) with slots along floor rear panel. Lower the panel into the slots and lock in place by sliding the panel toward the corner.

Note: Use a rubber mallet to “push” side panel (N) into locked position, aligned with previously installed back panel.



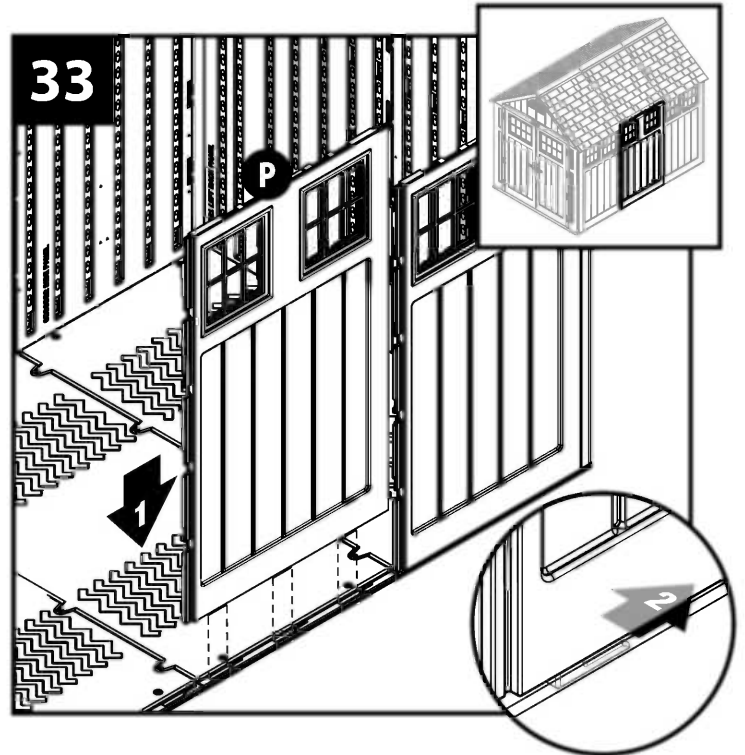
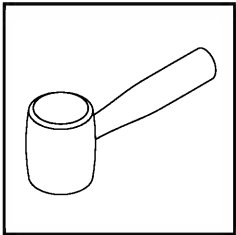
Secure side panel with four panel connector pins (V). From the outside, push the edge of side panel to help align pins. Install one screw (AA) at top and bottom of overlap. **DO NOT** over tighten screws.



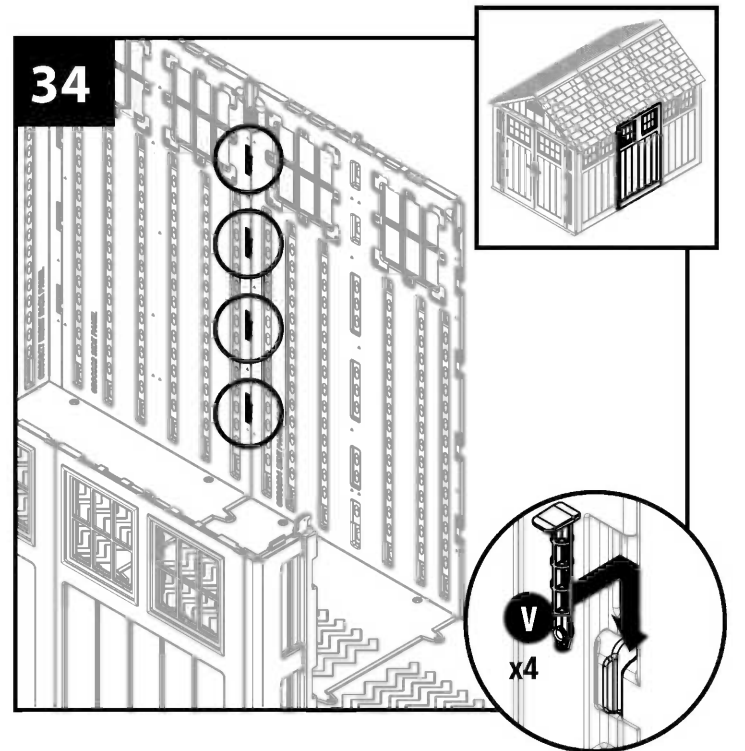
With at least two people, align the tabs on bottom of side middle panel (P) with slots along floor middle panel. Lower the panel into the slots and lock in place by sliding the panel toward the corner.

Note: To allow the side middle panel to overlap previous side panel, tilt out slightly as you slide it into position.

Note: Use a rubber mallet to “push” middle side panel (P) into locked position, aligned with previously installed side panel.



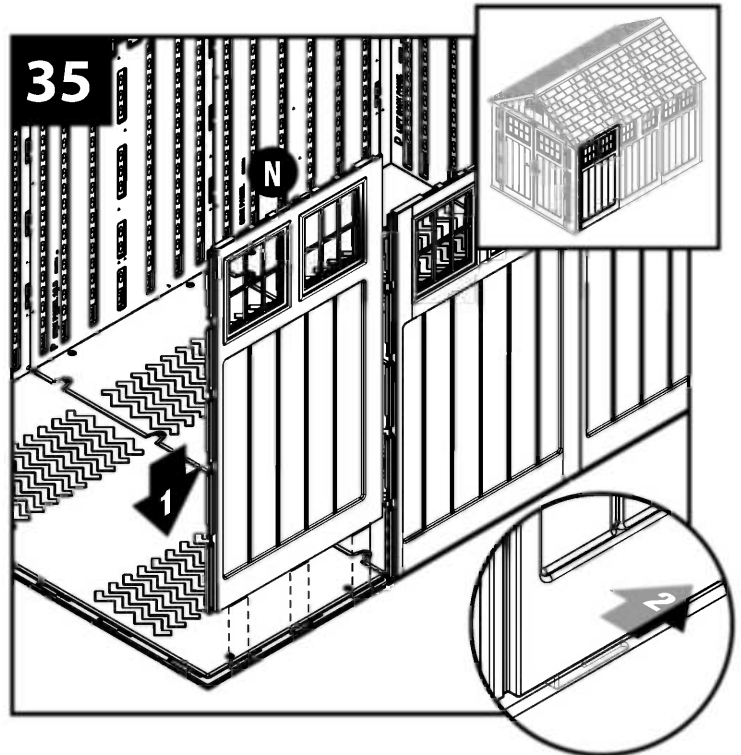
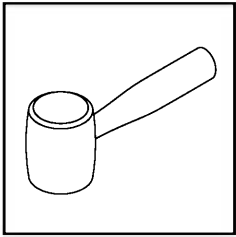
Secure the middle and side panels with four panel connector pins (V). From the outside, push the edge of side panel to help align pins.



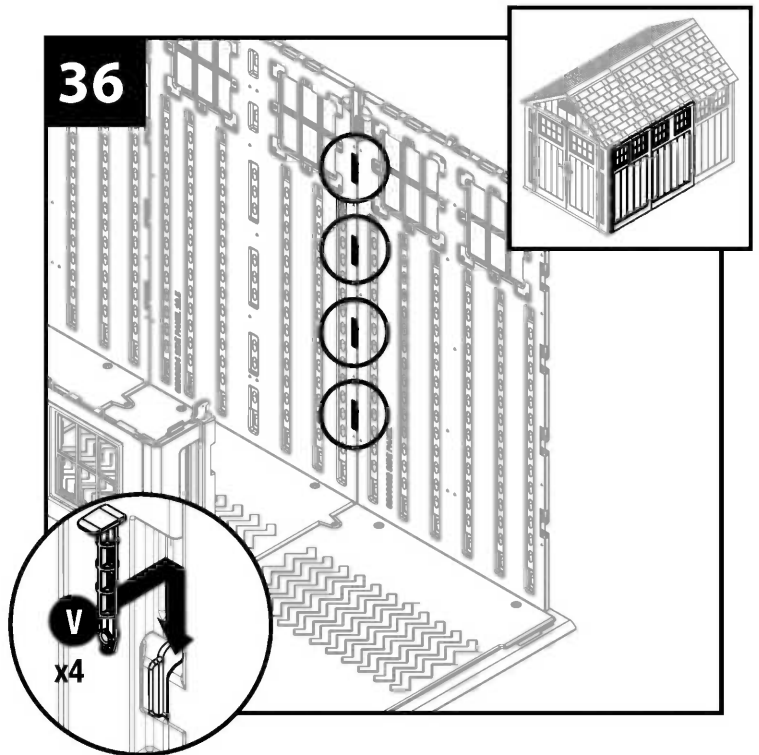
With at least two people, align the tabs on bottom of side panel (N) with slots along floor front panel. Lower the panel into the slots and lock in place by sliding the panel toward the corner.

Note: To allow the side panel to overlap side middle panel, tilt out slightly as you slide it into position.

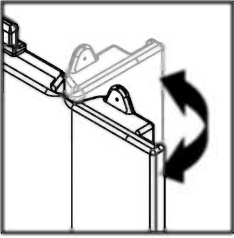
Note: Use a rubber mallet to “push” third side panel (N) into locked position, aligned with previously installed side panel.



Secure the middle and side panels with four panel connector pins (V). From the outside, push the edge of side panel to help align pins.

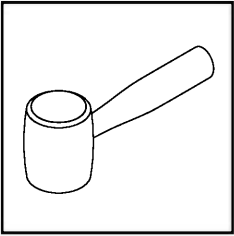


Flex right front panel (F) corner hinge back and forth several times.

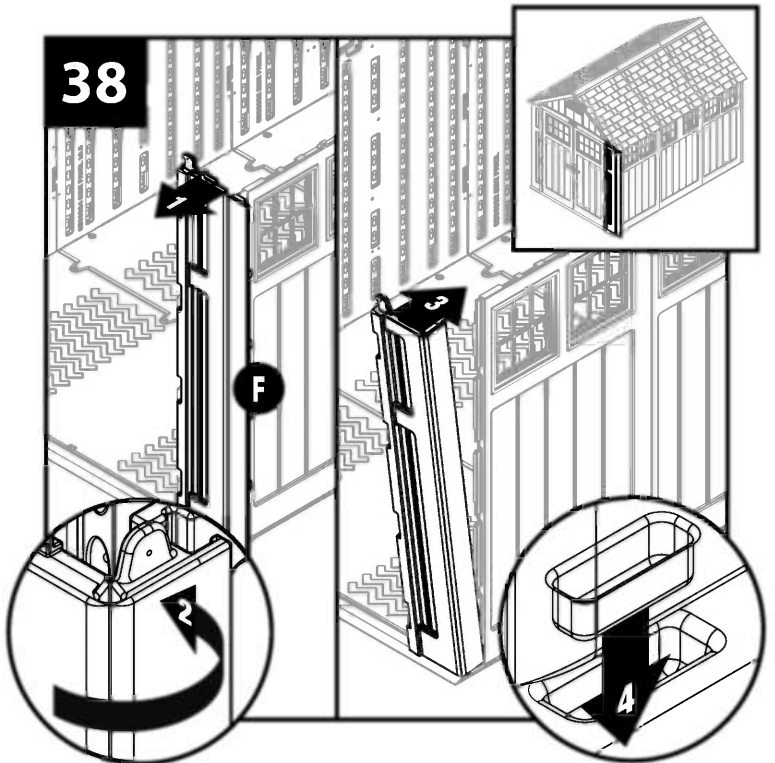
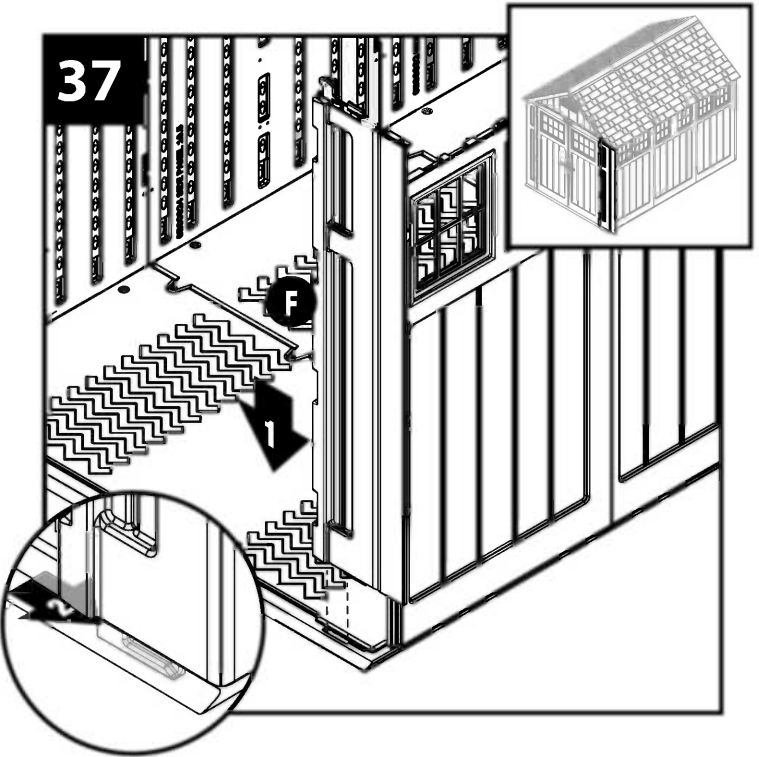


With at least two people, align the tab on bottom of the right front panel (F) with slot on floor. Lower the panel into the slot and lock in place by sliding the panel toward the corner.

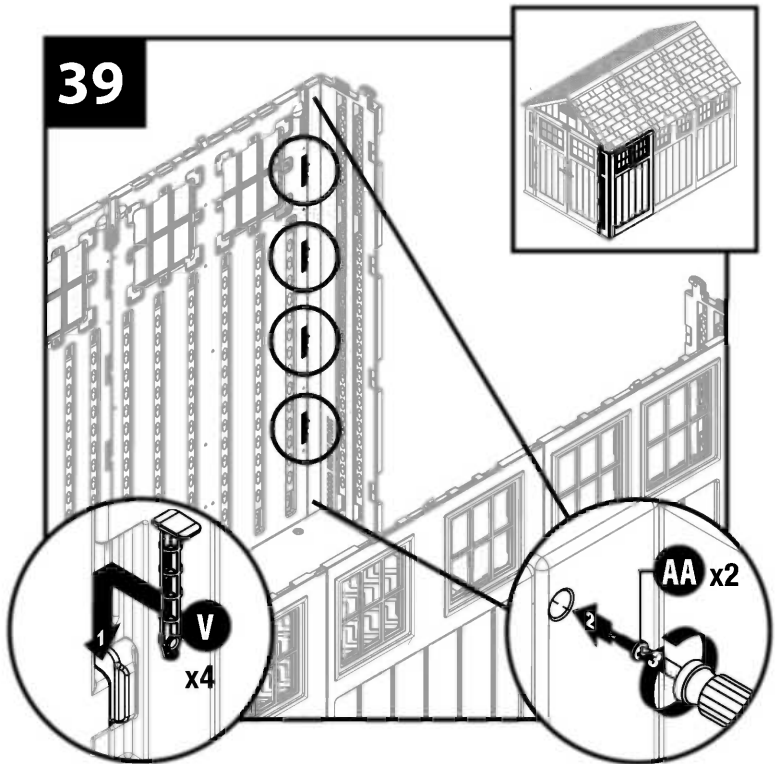
Note: Use a rubber mallet to “push” right front panel (F) into locked position, aligned with previously installed side panel.



Tip the right front panel (F) outward slightly. Bend the corner, then tip the panel back to vertical position making sure to align the lower tab on corner hinge with the slot in the floor front panel.

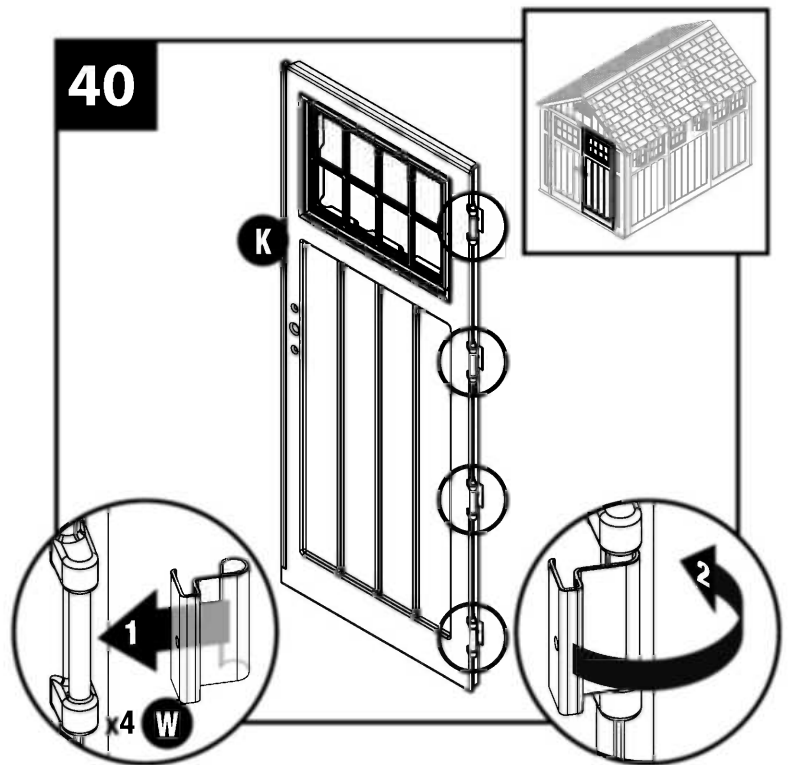


Secure with four panel connector pins (V). Install one screw (AA) at top and bottom of overlap. **DO NOT** over tighten screws.

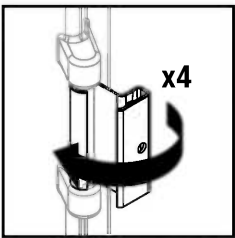


Stand the right door (K) upright with the four hinge mounts facing right. Attach one metal hinge plate (W) to each hinge mount. Rotate the hinge plates to the inside of the door.

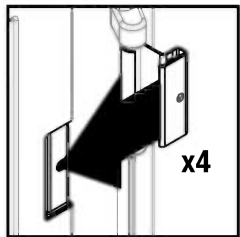
Repeat for left door (J).



Rotate hinge plates to open position.



Attach one hinge plate to each hinge receptacle on the inside of right front panel

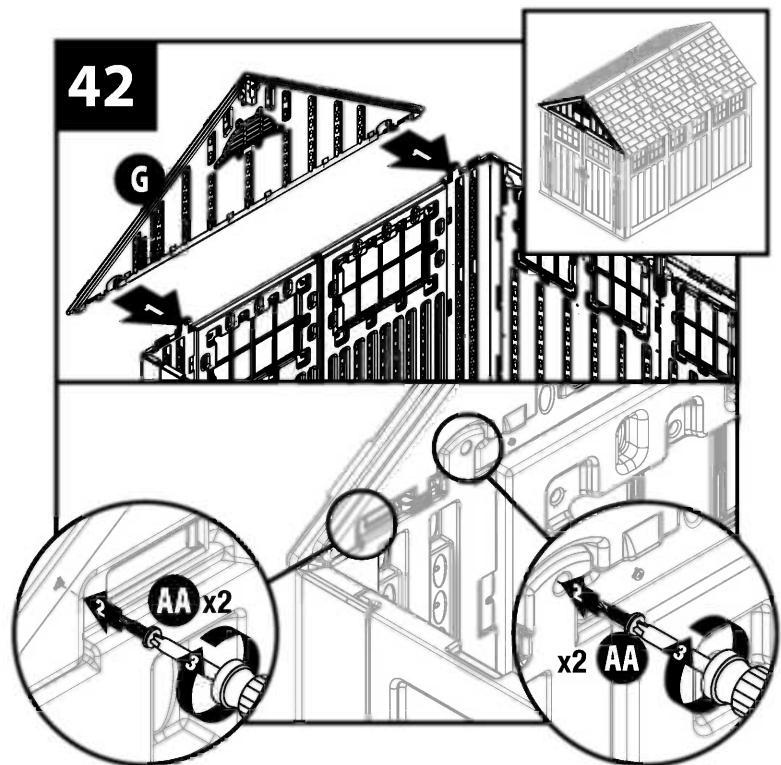
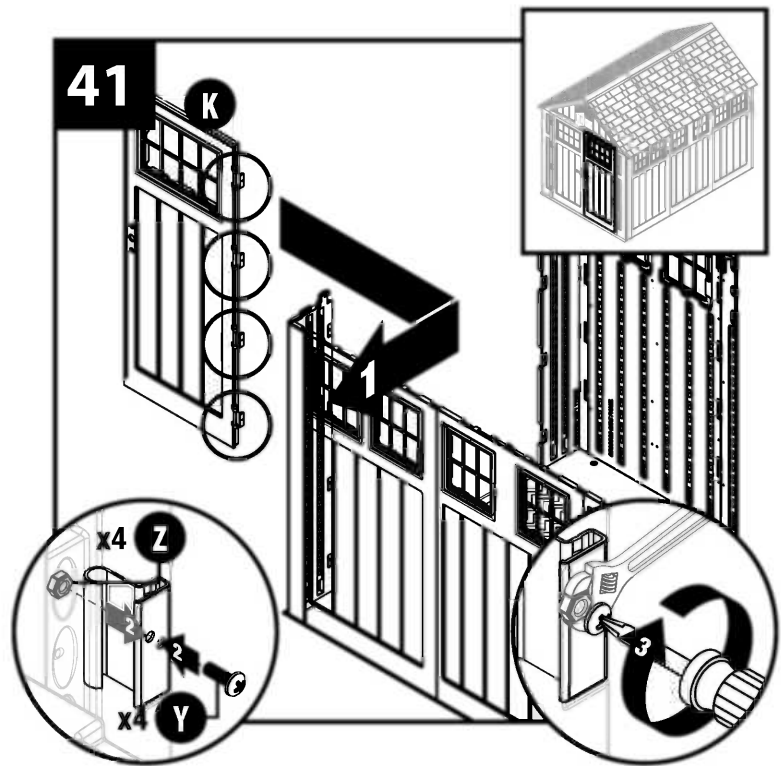


Secure each hinge with one screw (Y) and one nut (Z).

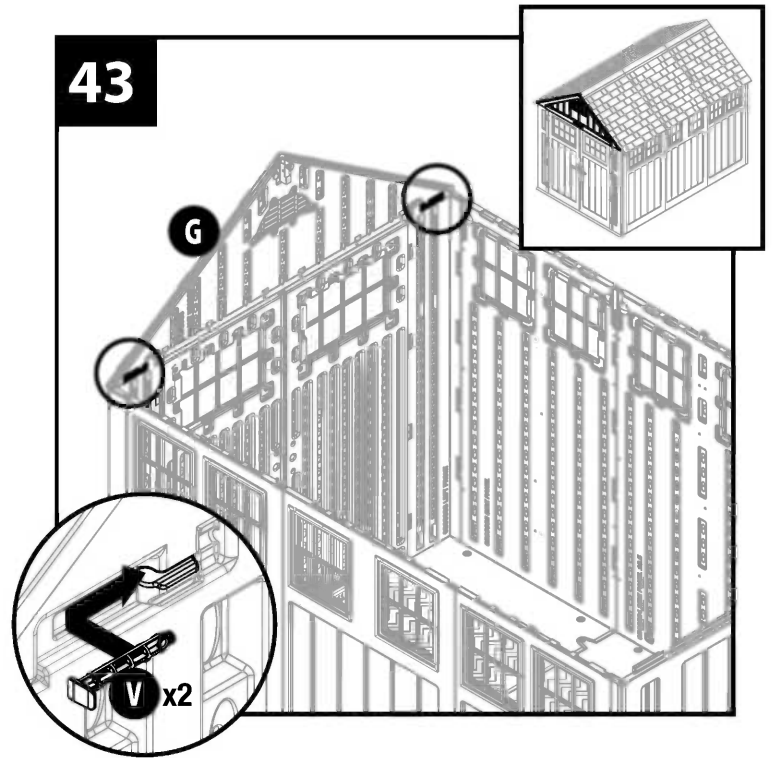
Repeat for left door (J).

With at least two people, place front header (G) over the door opening and fit the two protruding support legs on the left and right front panels into the pockets molded in the header panel. Secure the support legs in the pockets using two screws (AA) in each leg.

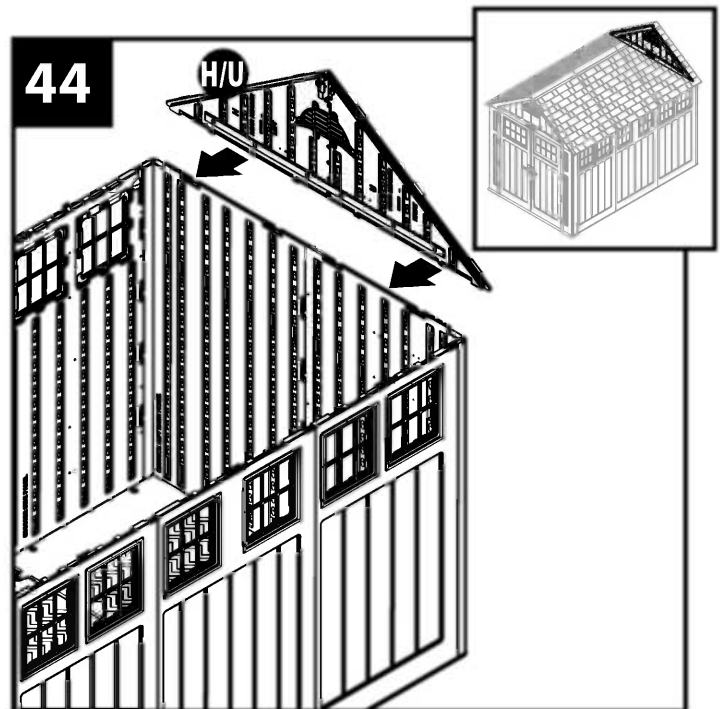
Note: DO NOT leave header unsupported until beam assembly is complete (step 48).



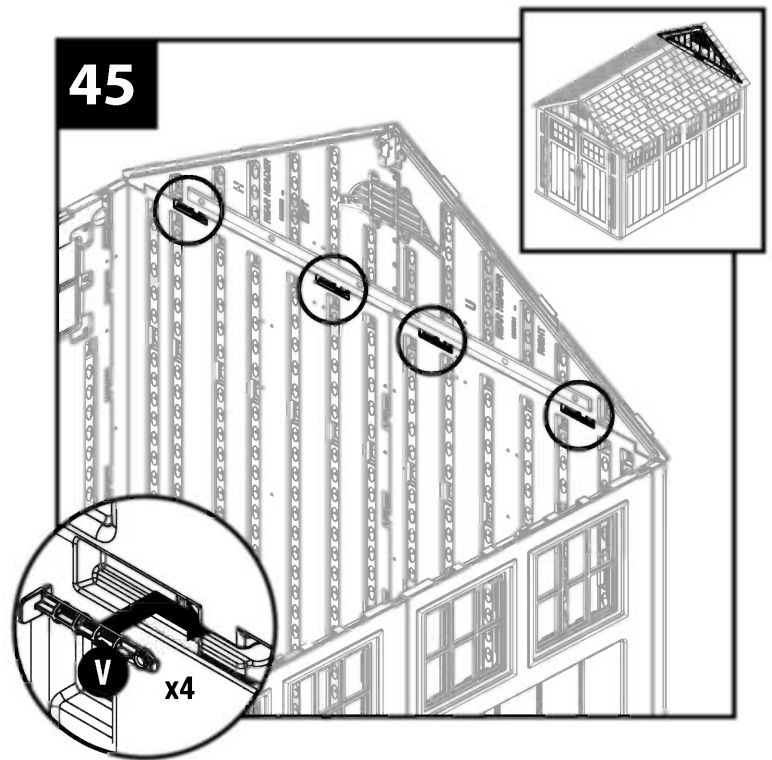
Secure the front header with two panel connector pins (V).



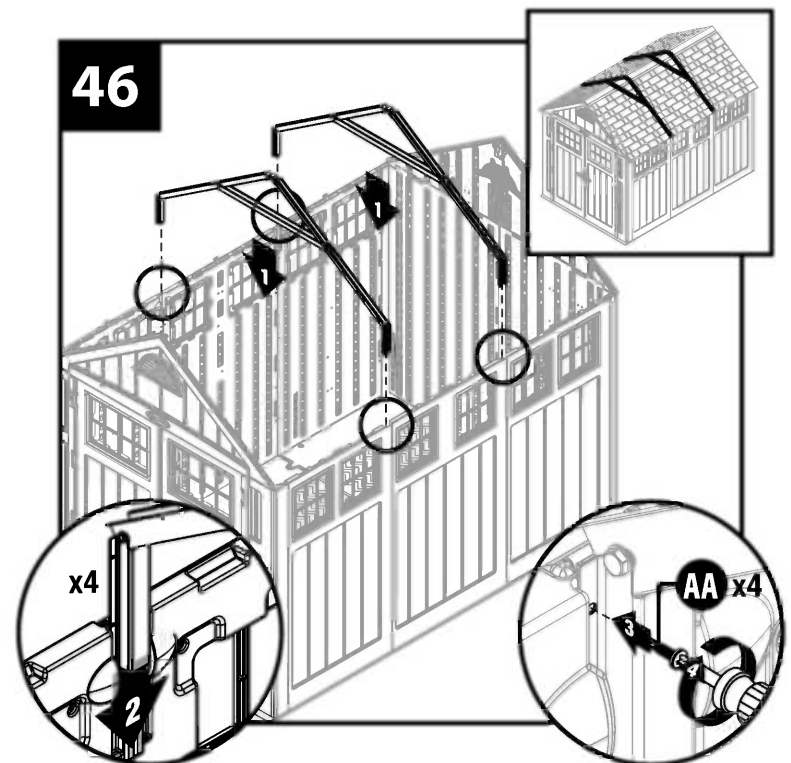
With at least two people, place the rear header assembly (H/U) on top of the back panel wall.



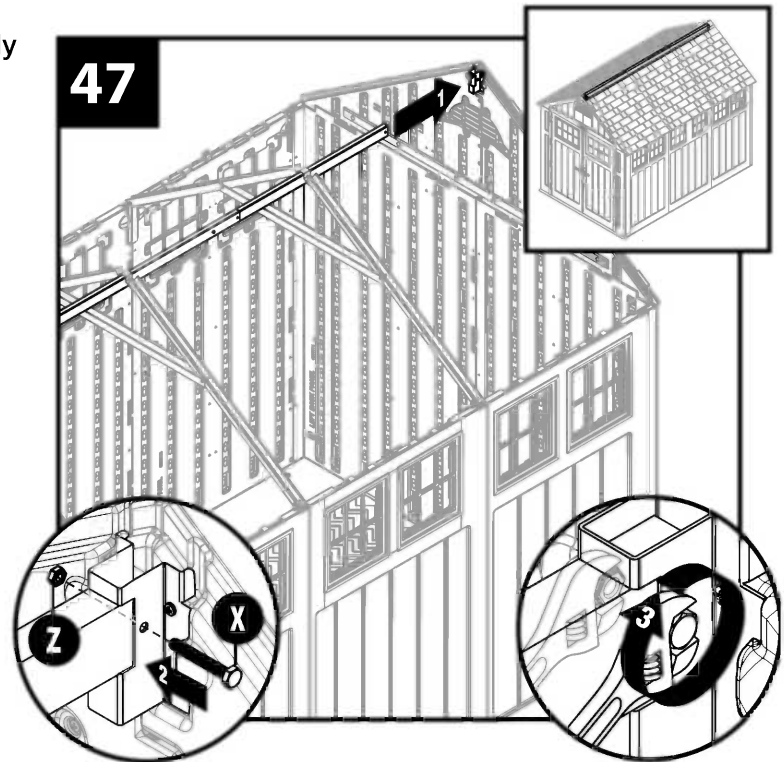
With at least two people, secure header assembly with four panel connector pins (V).



With at least two people, slide the truss assemblies into place, then secure to the side panels with two screws (AA) in each bracket.

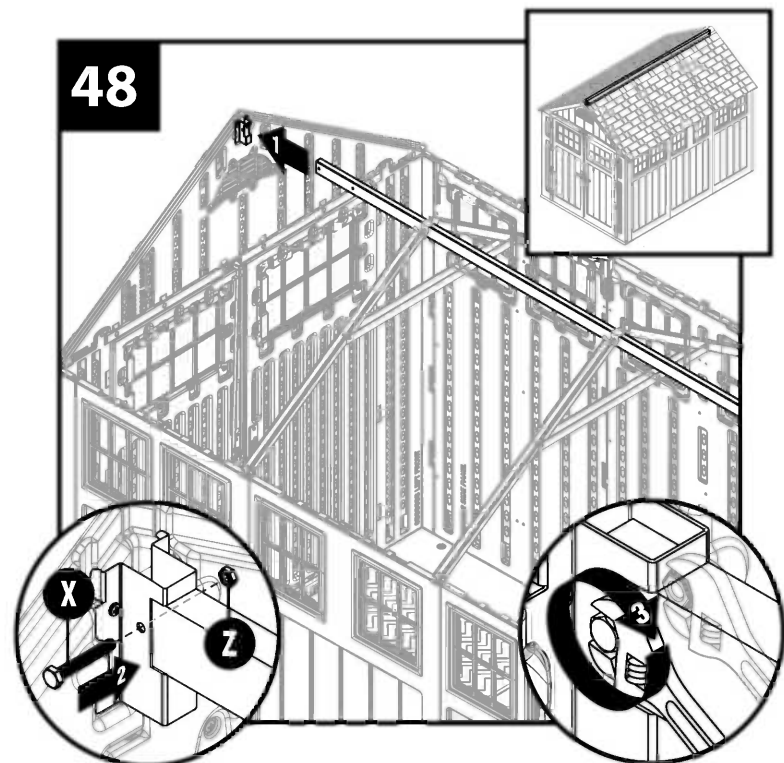


With at least two people, raise the ridge beam assembly up and into the rear roof ridge beam bracket. Secure with one 2" hex head cap screw (X) and one nut (Z).

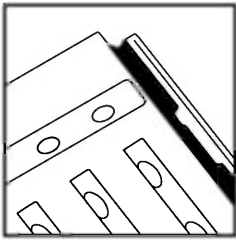


With at least two people, push the ridge beam assembly toward the rear to clear the front roof ridge beam bracket. Then, insert beam into front bracket. Secure with one 2" hex head cap screw (X) and one nut (Z).

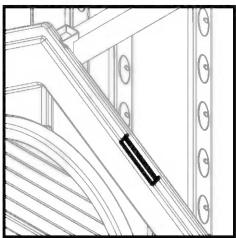
CAUTION: Be very careful positioning ridge beam to avoid harm to persons or damage to property. **DO NOT** stand beneath beam until it is secured with screws and nuts.



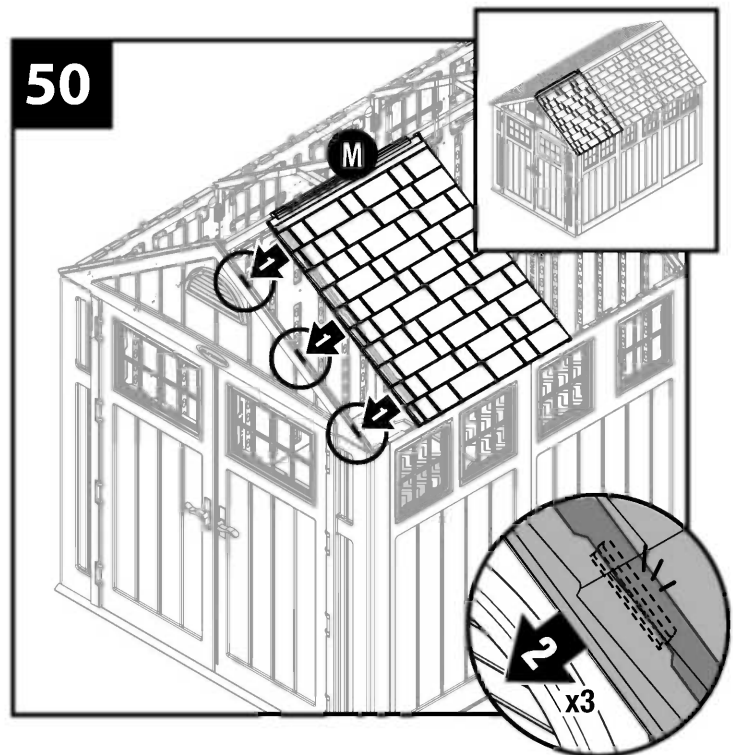
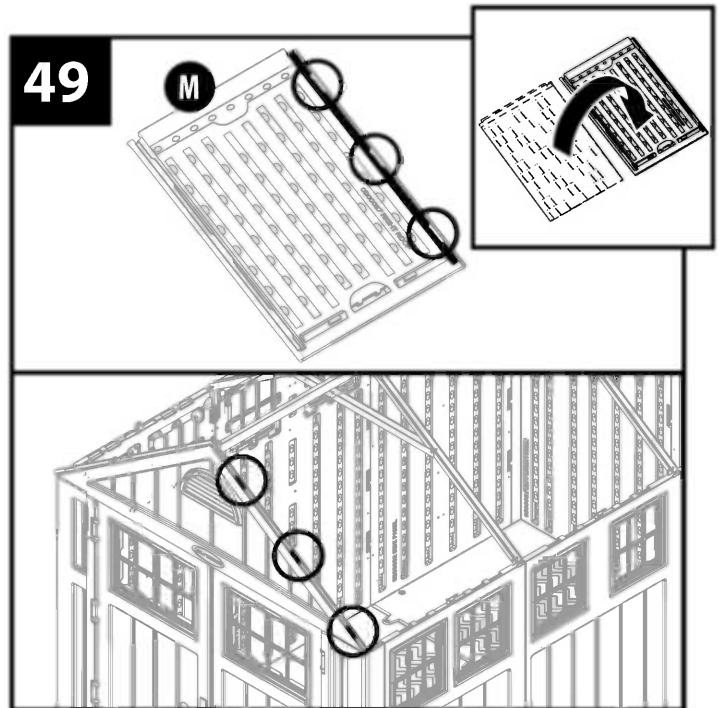
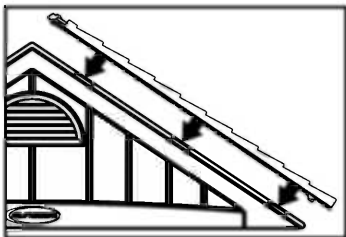
Locate and identify channels on interior side of one right roof (M) panel. Locate three underside tabs contained within the channels.



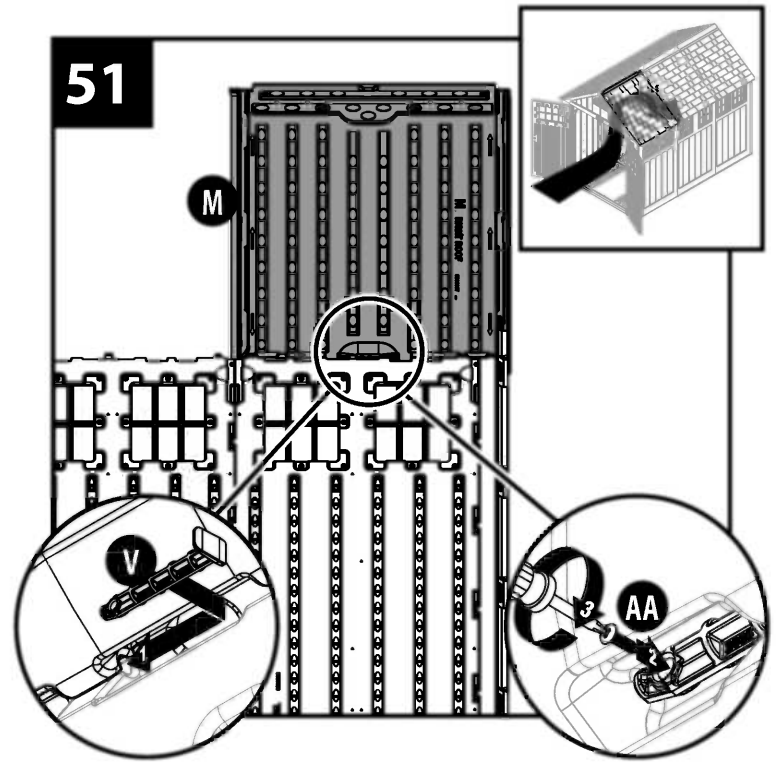
Locate and identify the three front header tabs.



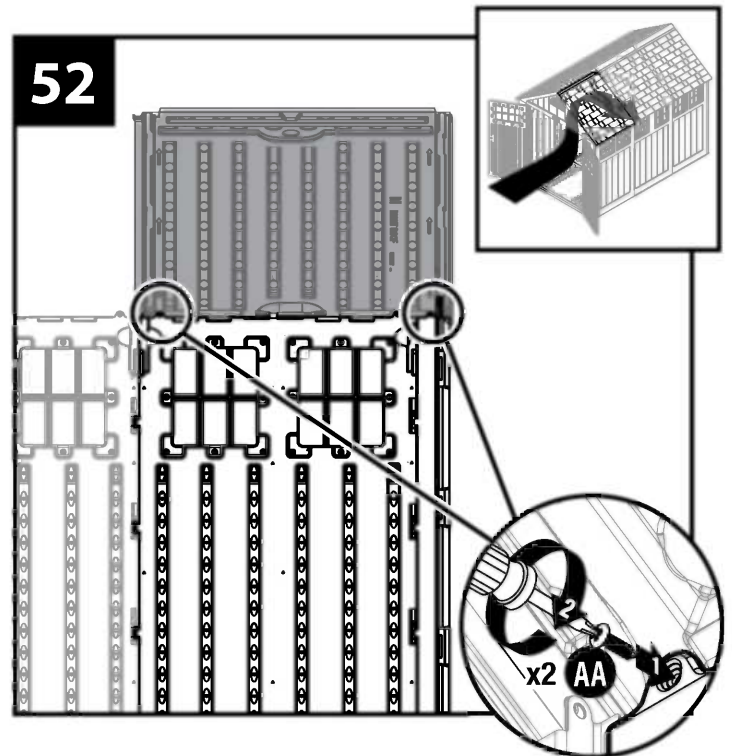
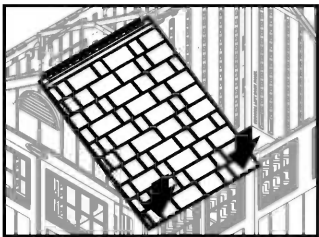
With at least two people, lay right roof (M) directly over the three tabs on the right side of the front header. With the roof panel channel seated over/on the header tabs, pull the roof downward at each header tab until the roof snaps in place.



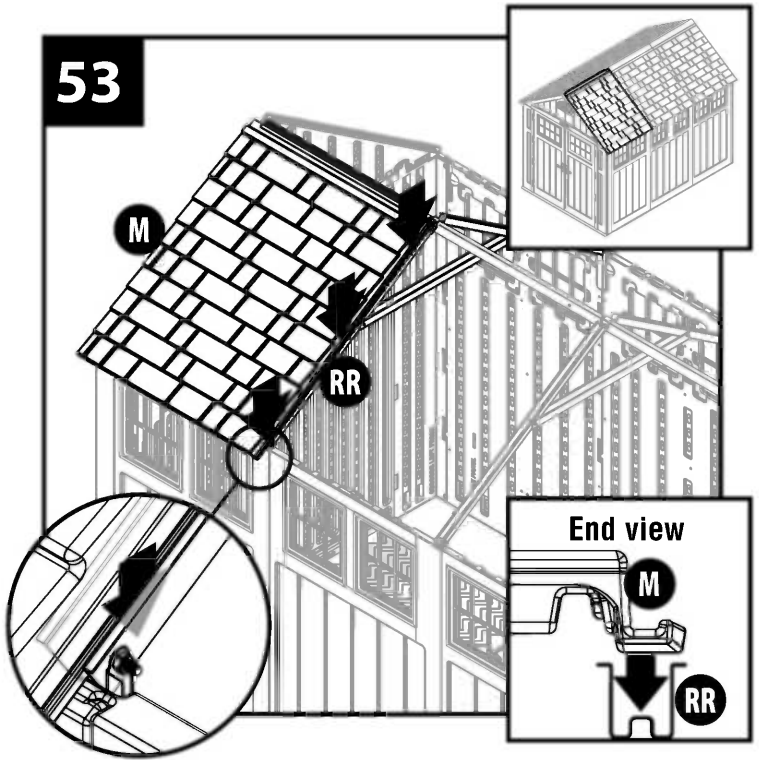
From the interior of the shed, secure right roof panel into place using panel connector pin (V) on side panel. Slide panel connector towards rear of shed until fully engaged. Attach panel connector pin with one screw (AA).



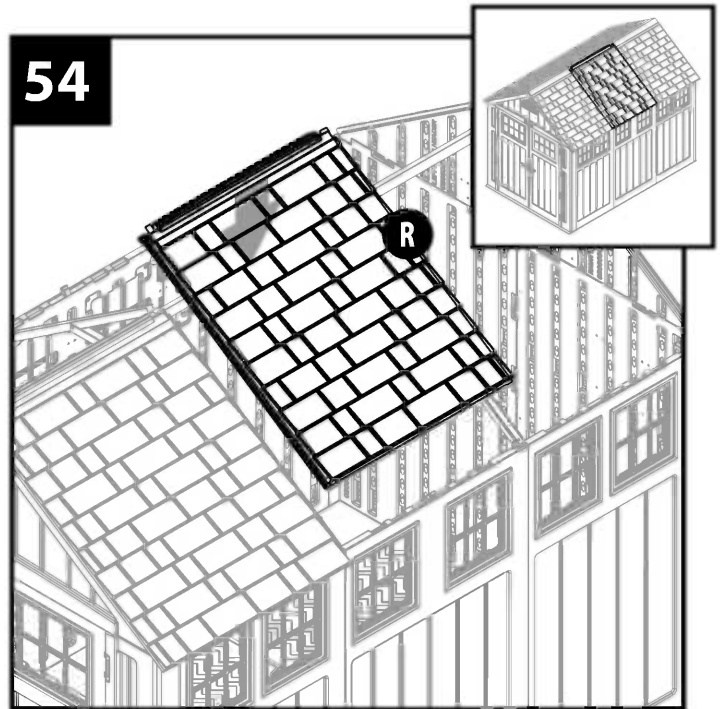
With a second person, pull down each corner of roof from outside. Attach each tab to the corresponding roof panel with a screw (AA).



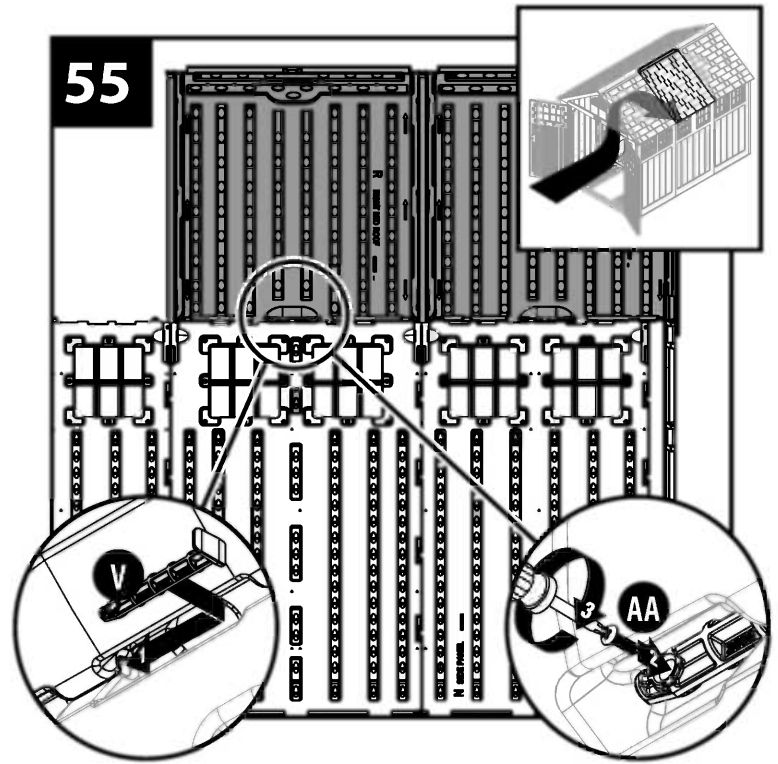
Press edge of front roof panel (M) into channel on truss leg (RR).



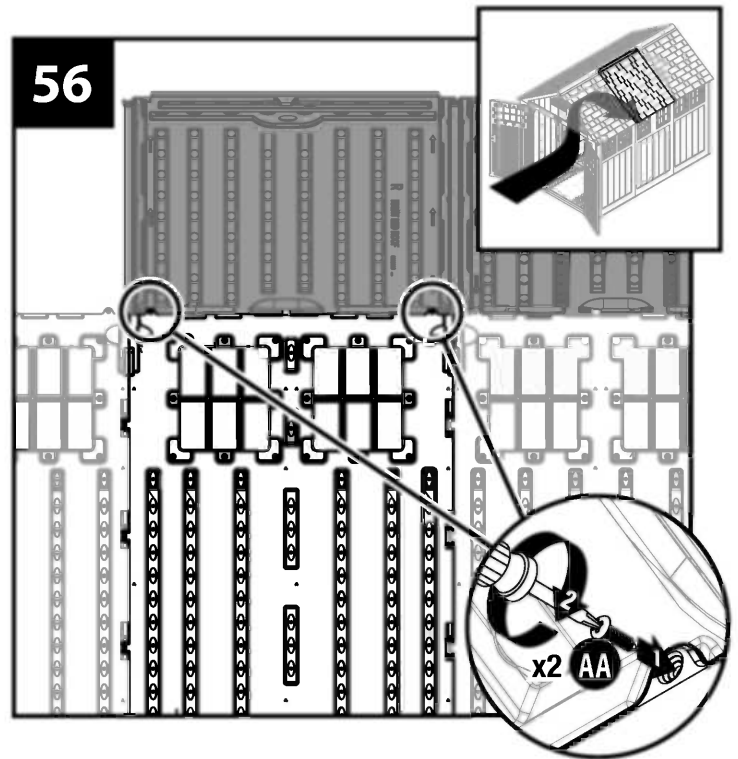
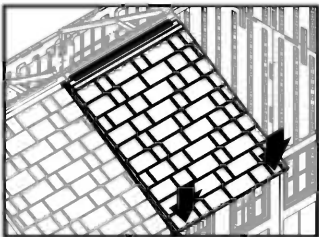
With at least two people, lower the right middle roof (R) onto the roof trusses.



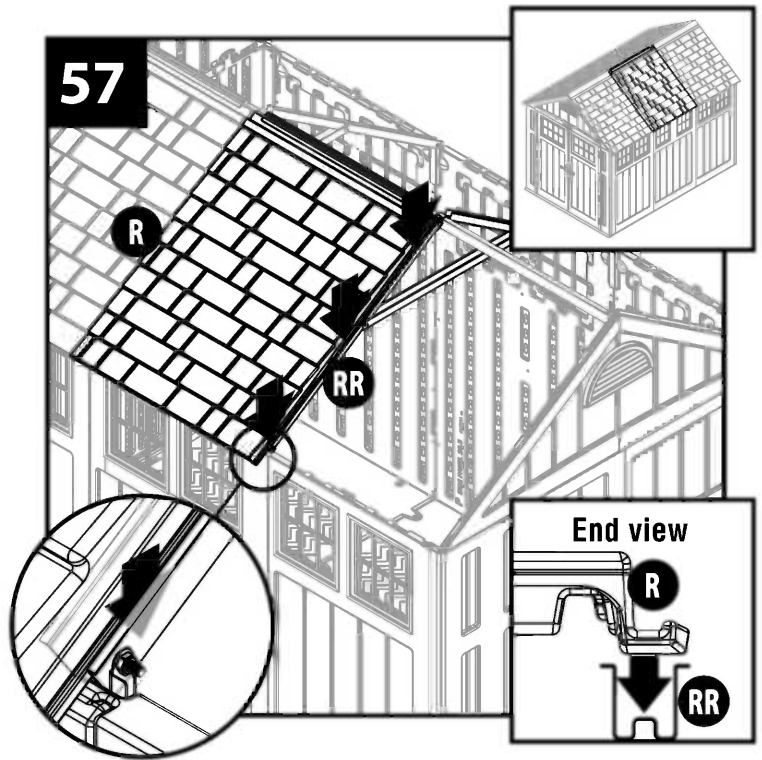
From the interior of the shed, secure right middle roof panel into place using panel connector pin (V) on side panel. Slide panel connector towards front of shed until fully engaged. Attach panel connector pin with one screw (AA).



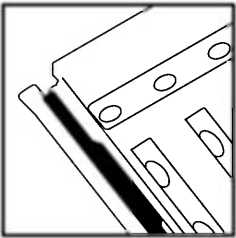
With a second person, pull down each corner of roof from outside. Attach each tab to the corresponding roof panel with a screw (AA).



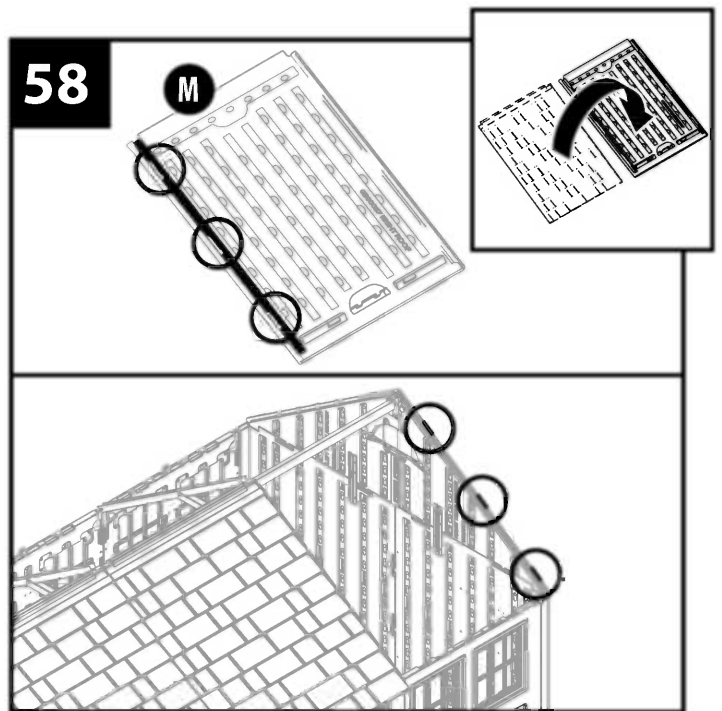
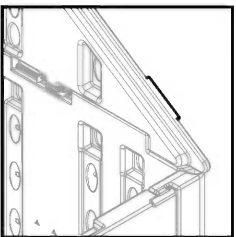
Press edge of middle roof (R) into channel on truss leg (RR).



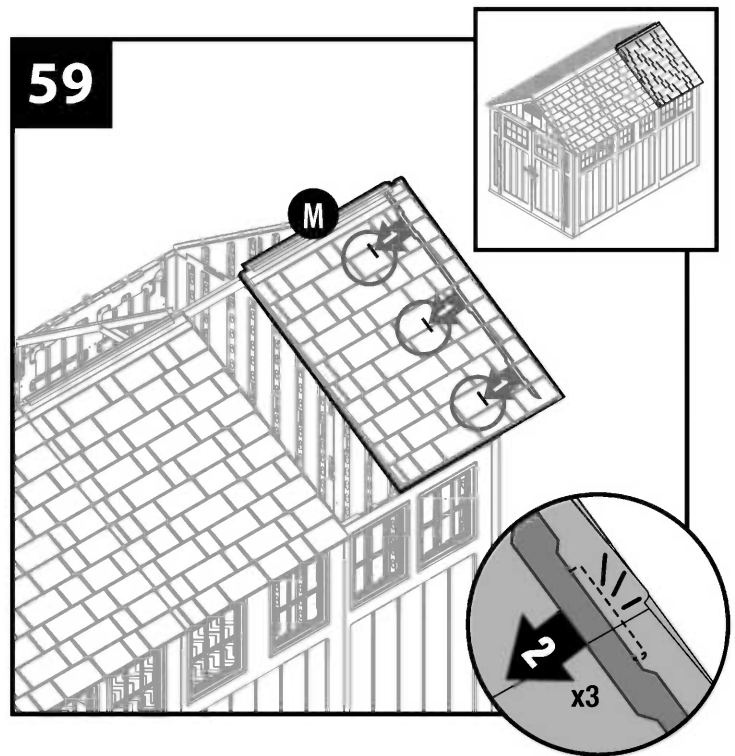
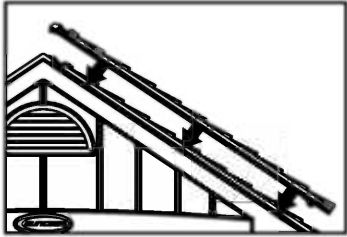
Locate and identify channels on interior side of remaining right roof (M) panel. Locate three underside tabs contained within the channels.



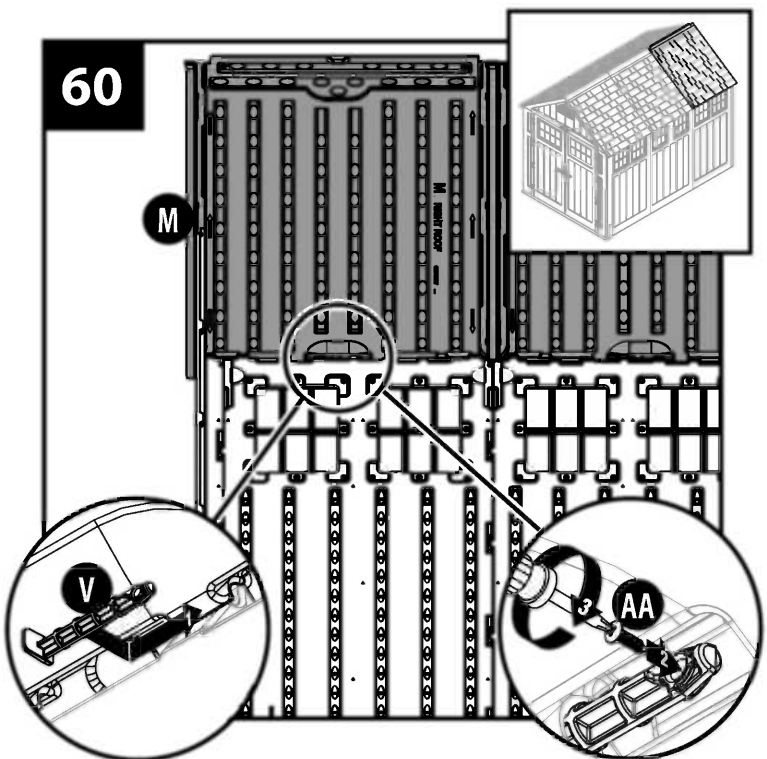
Locate and identify the three rear header tabs.



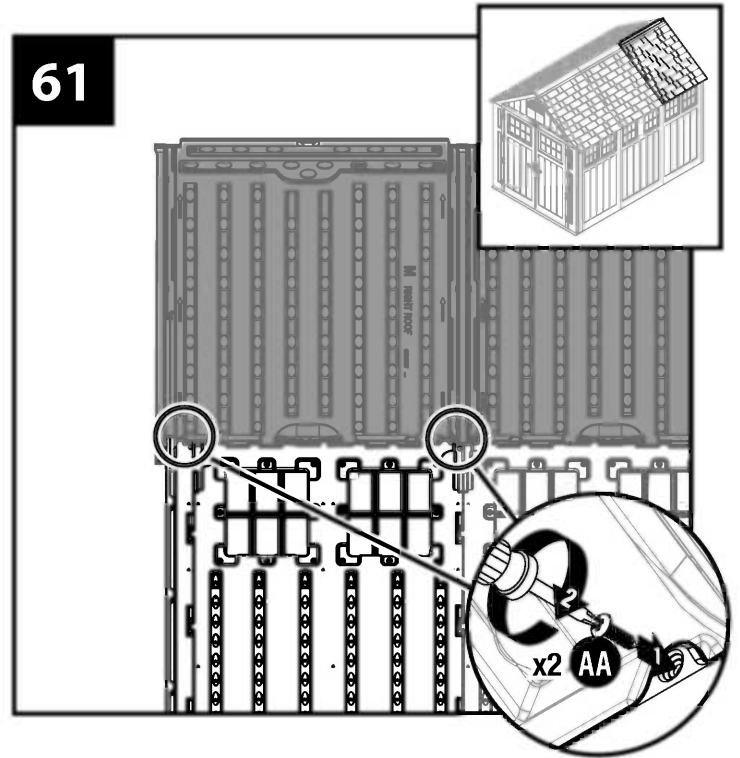
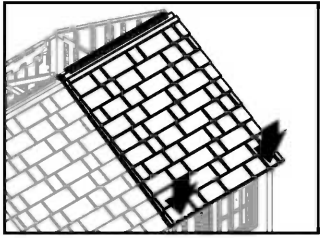
With at least two people, lay remaining right roof (M) directly over the three tabs on the right side of the rear header. With the roof panel channel seated over/on the header tabs, pull the roof downward at each header tab until the roof snaps in place.



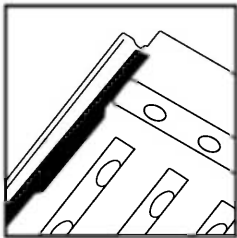
From the interior of the shed, secure right roof panel (M) into place using panel connector pin (V) on side panel. Slide panel connector towards front of shed until fully engaged. Attach panel connector pin with one screw (AA).



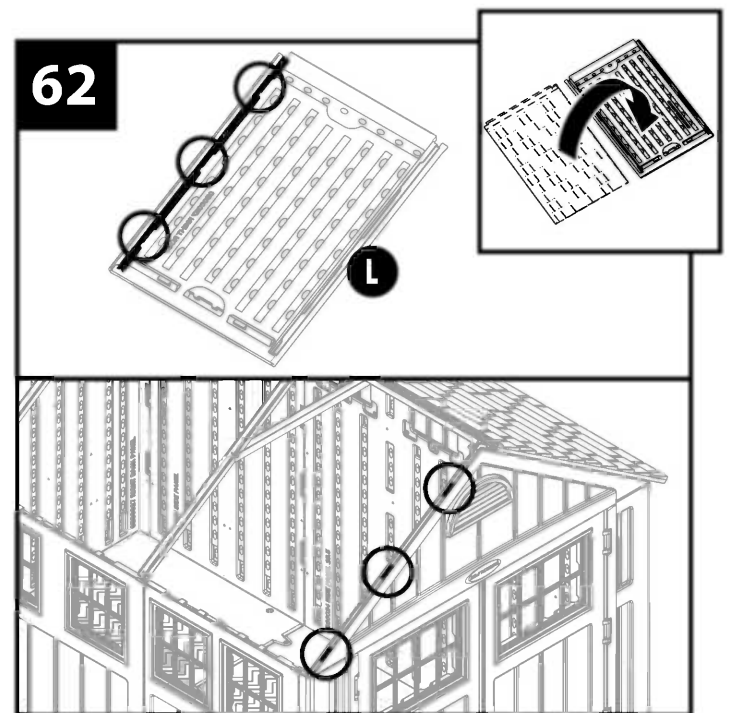
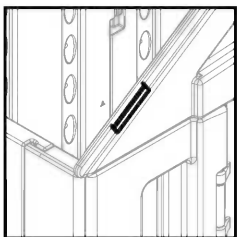
With a second person, pull down each corner of roof from outside. Attach each tab to the corresponding roof panel with a screw (AA).



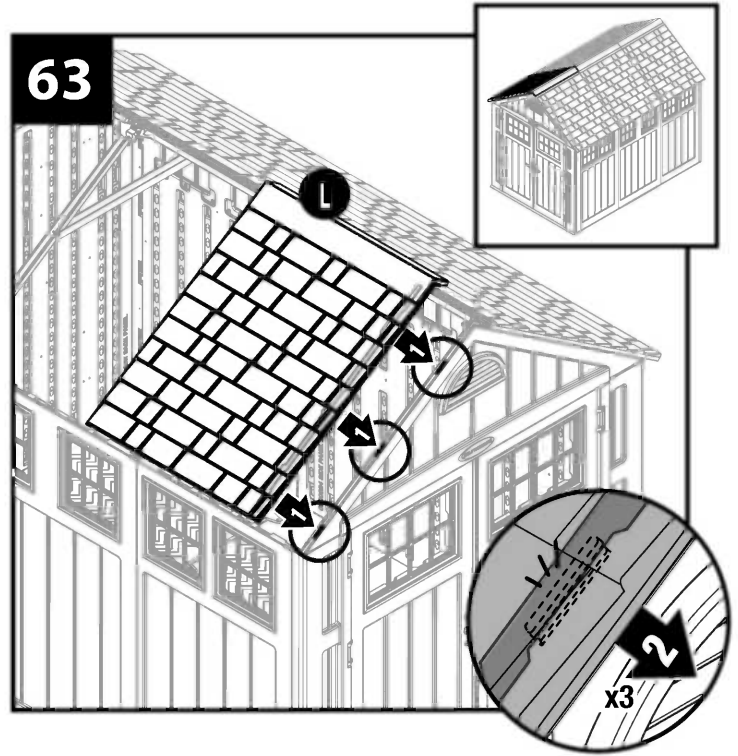
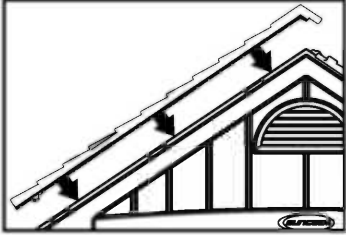
Locate and identify channels on interior side of one left roof (L) panel. Locate three underside tabs contained within the channels.



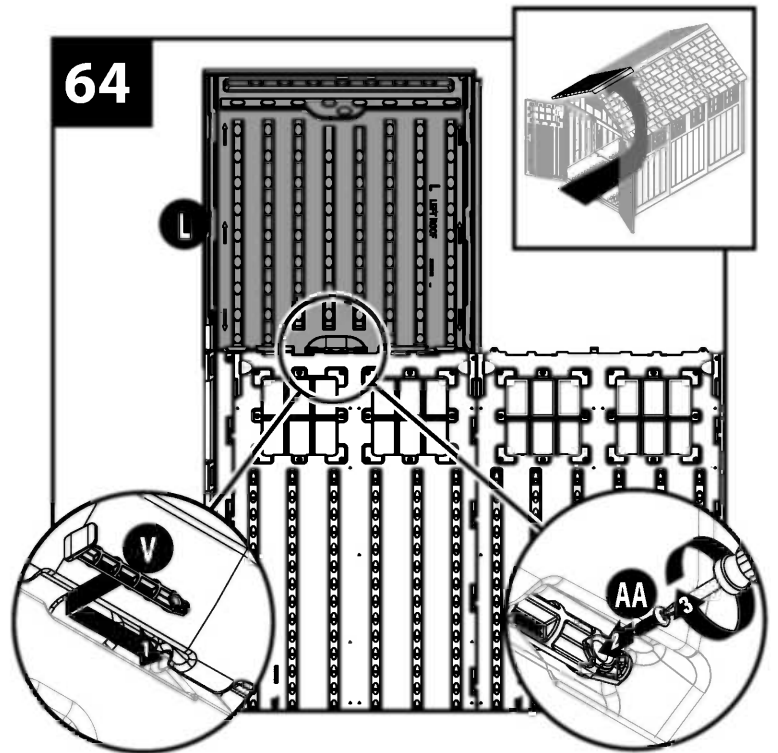
Locate and identify the three front header tabs.



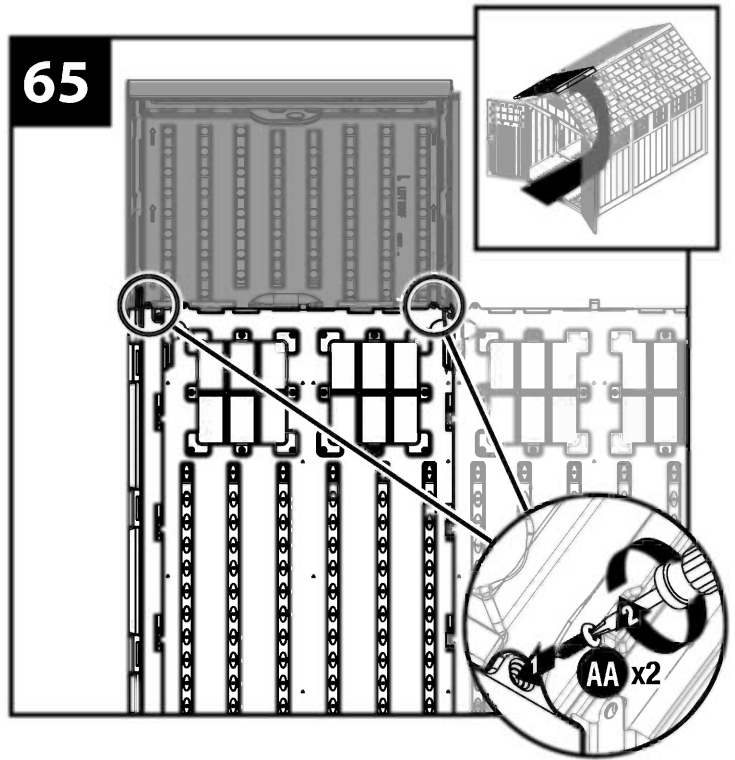
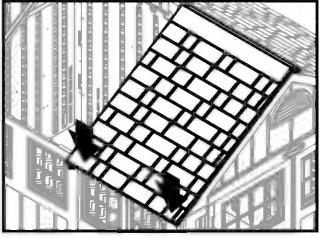
With at least two people, lay left roof (L) directly over the three tabs on the left side of the front header. With the roof panel channel seated over/on the header tabs, pull the roof downward at each header tab until the roof snaps in place.



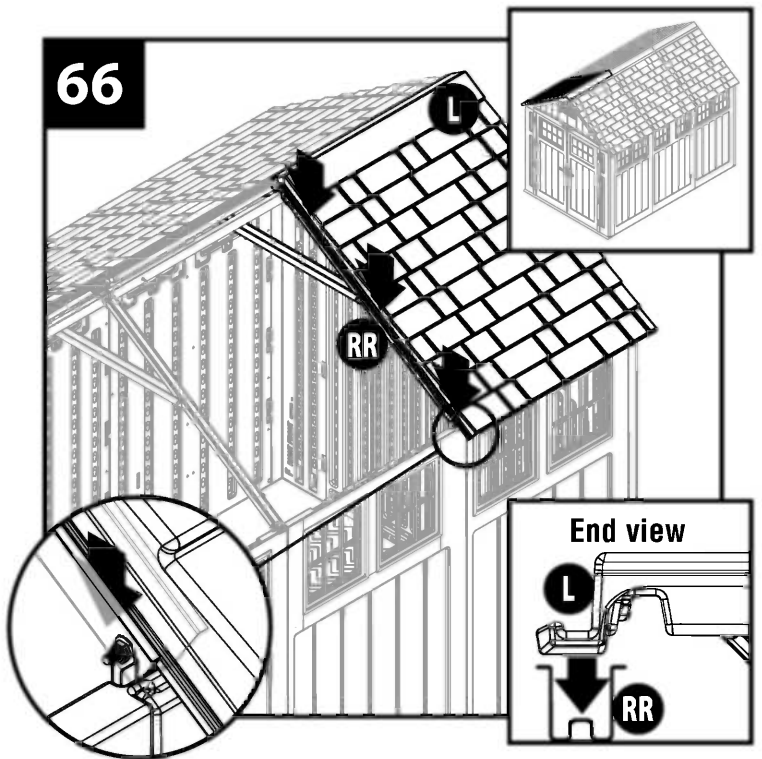
From the interior of the shed, secure left roof panel (L) into place using panel connector pin (V) on side panel. Slide panel connector towards rear of shed until fully engaged. Attach panel connector pin with one screw (AA).



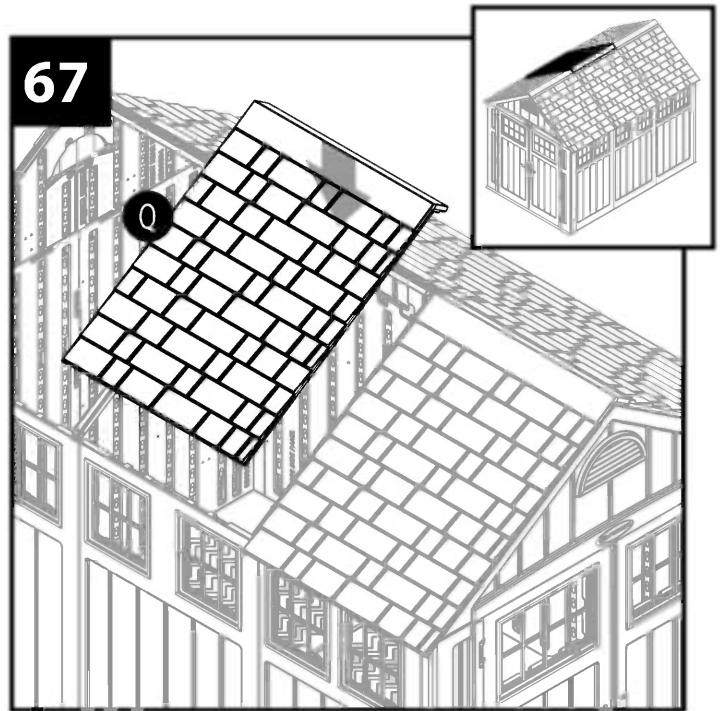
With a second person, pull down each corner of roof from outside. Attach each tab to the corresponding roof panel with a screw (AA).



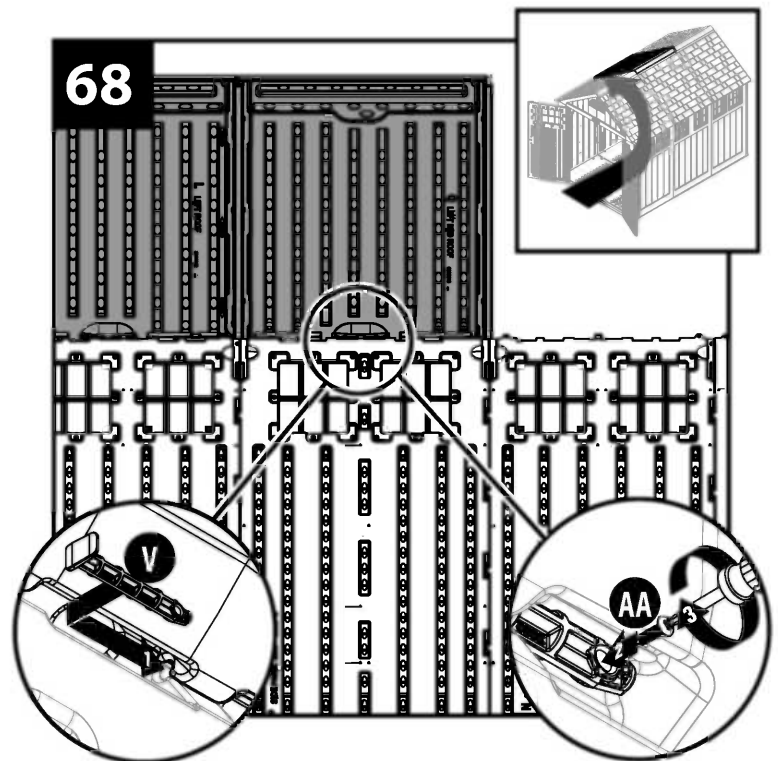
Press edge of left roof (L) panel into channel on truss leg (RR).



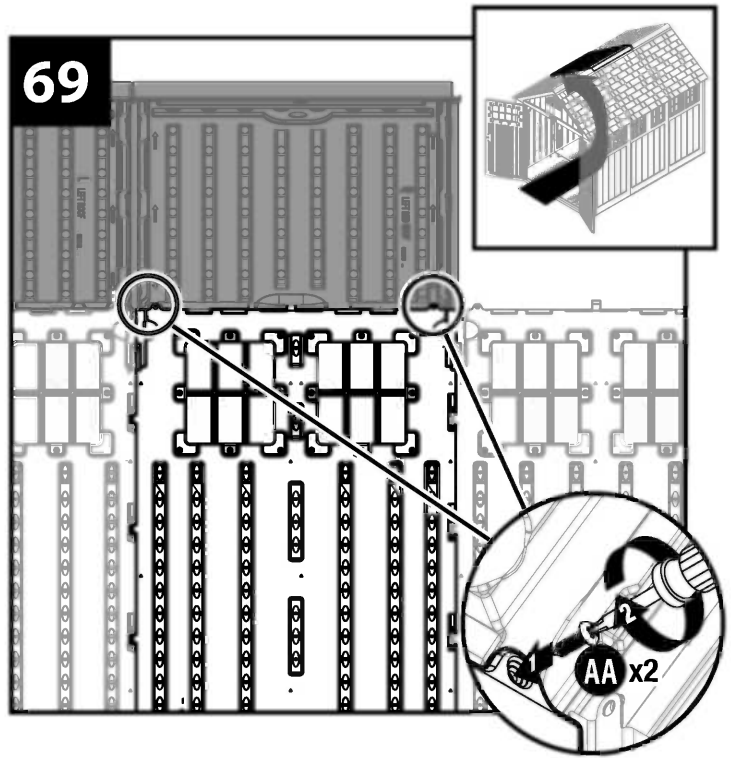
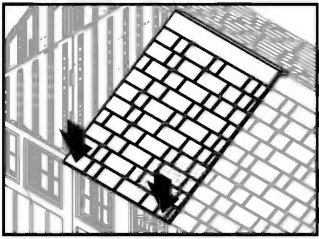
With at least two people, lower the left middle roof (Q) onto the roof trusses.



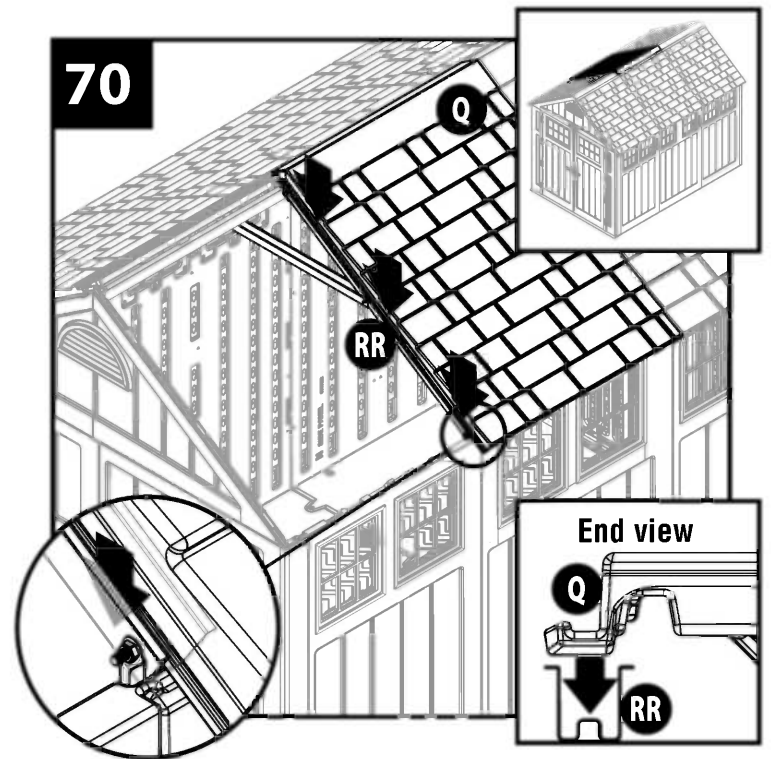
From the interior of the shed, secure right middle roof panel into place using panel connector pin (V) on side panel. Slide panel connector towards front of shed until fully engaged. Attach panel connector pin with one screw (AA).



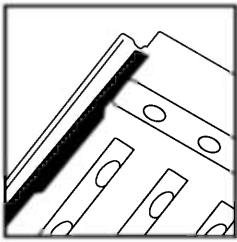
With a second person, pull down each corner of roof from outside. Attach each tab to the corresponding roof panel with a screw (AA).



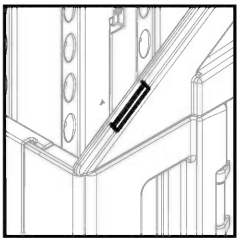
Press edge of left middle roof (Q) into channel on truss leg (RR).



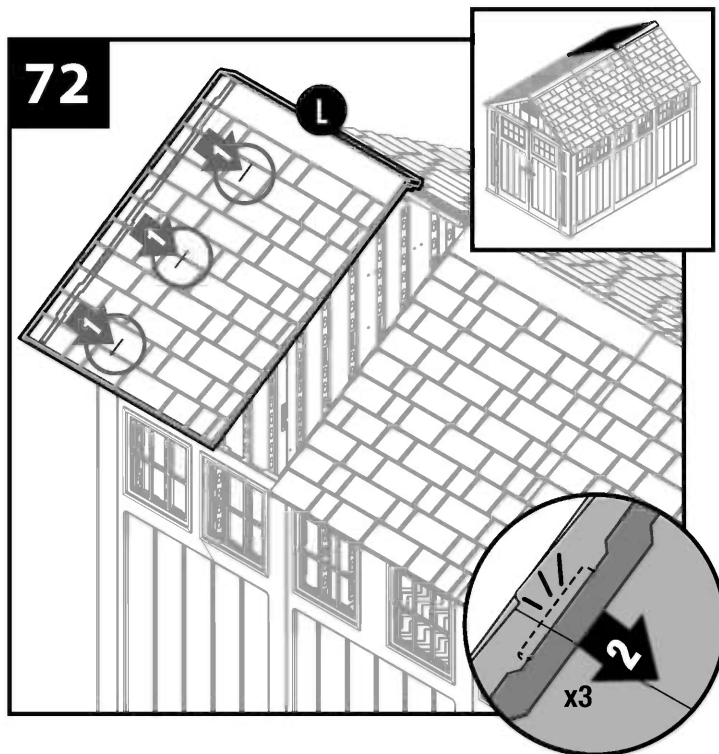
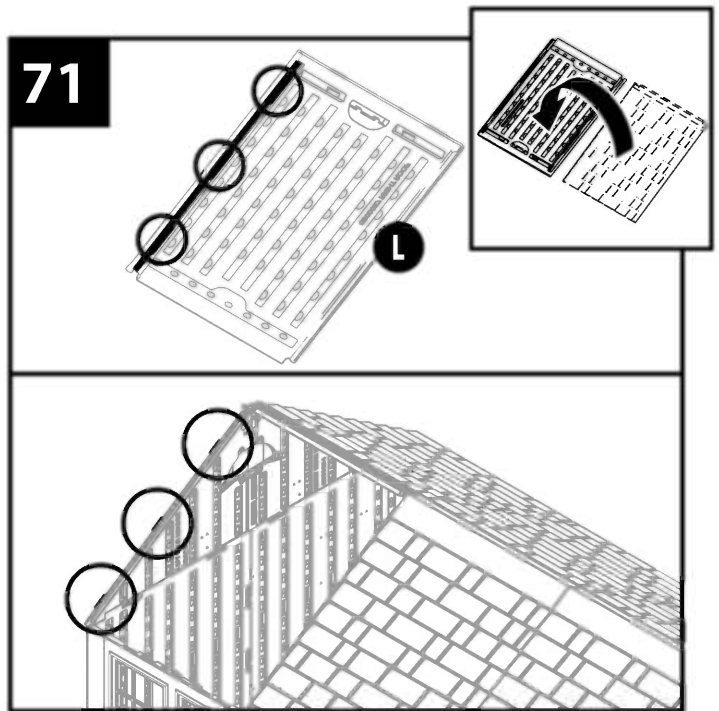
Locate and identify channels on interior side of remaining left roof (L) panel. Locate three underside tabs contained within the channels.



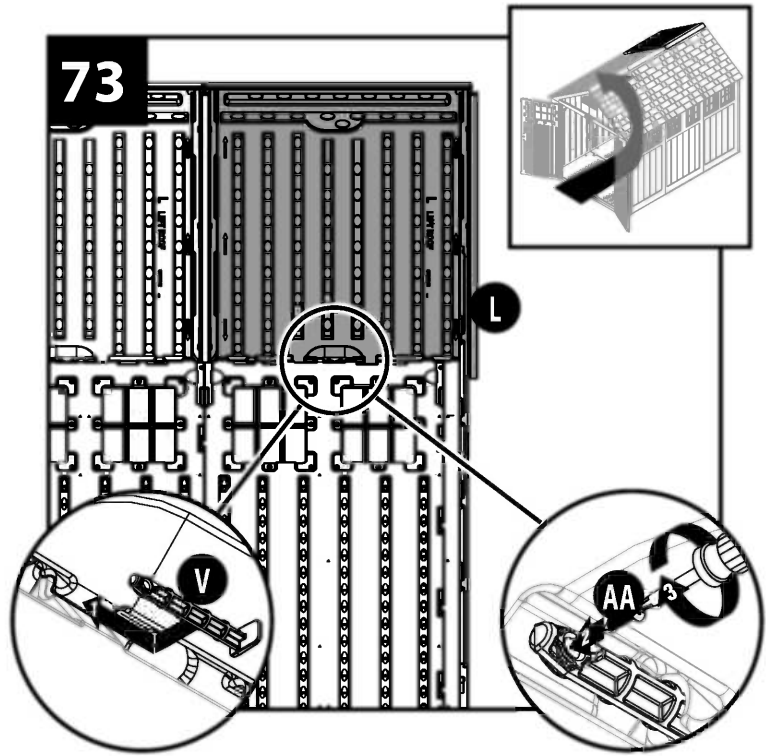
Locate and identify the three header tabs.



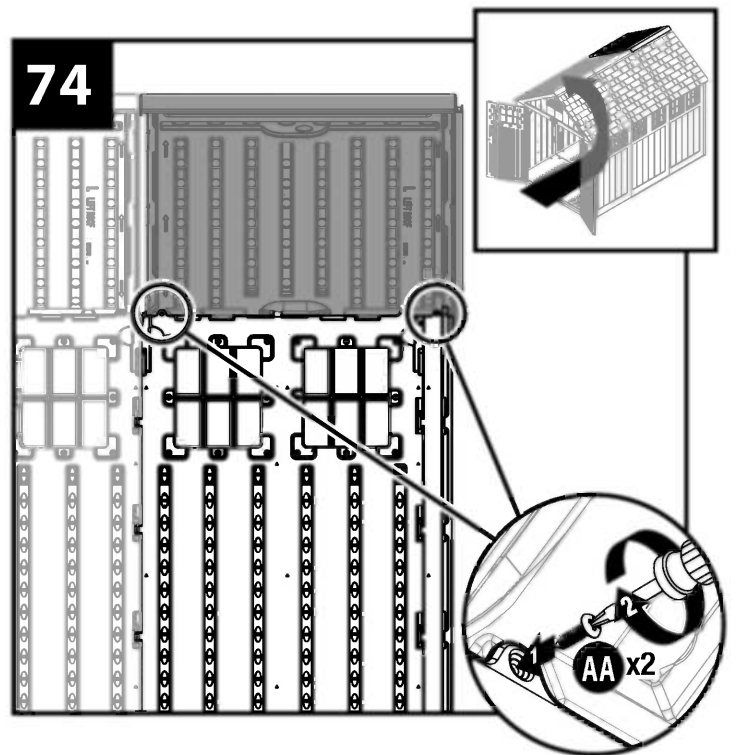
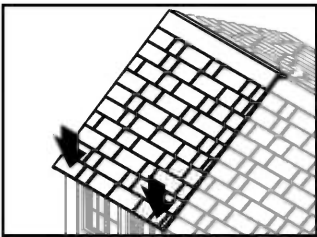
With at least two people, lay remaining left roof (L) directly over the three tabs on the left side of the rear header. With the roof panel channel seated over/on the header tabs, pull the roof downward at each header tab until the roof snaps in place.



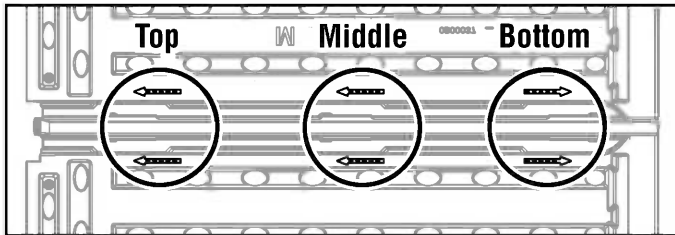
From the interior of the shed, secure left roof panel (L) into place using panel connector pin (V) on side panel. Slide panel connector towards front of shed until fully engaged. Attach panel connector pin with one screw (AA).



With a second person, pull down each corner of roof from outside. Attach each tab to the corresponding roof panel with a screw (AA).

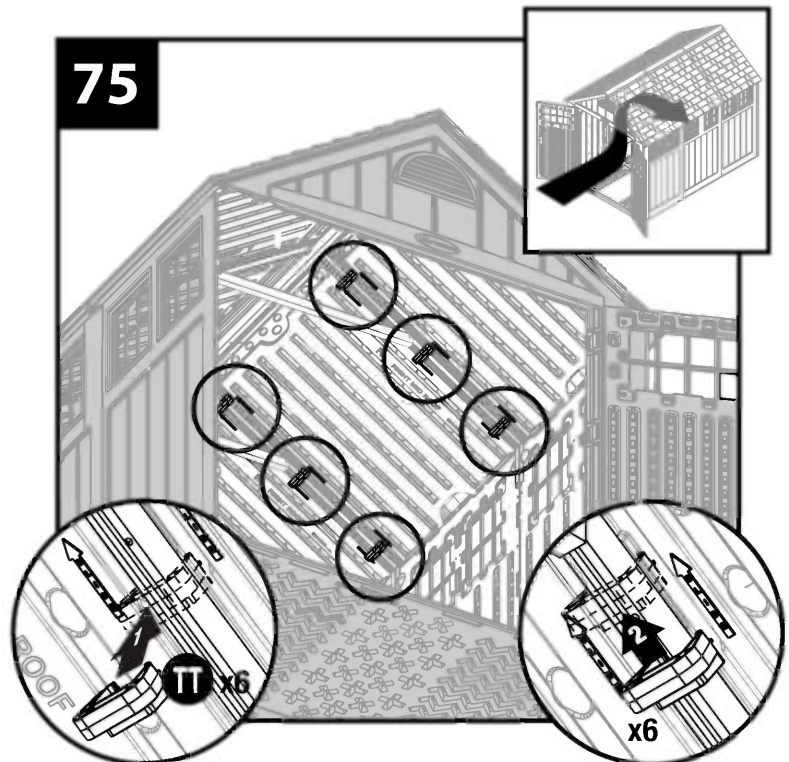


Secure right roof panels to truss with three roof connectors (TT) in corresponding slots in roof panels. To lock in place, the top and middle connectors slide up and the bottom connector slides down, per molded arrow graphics on roof panels.



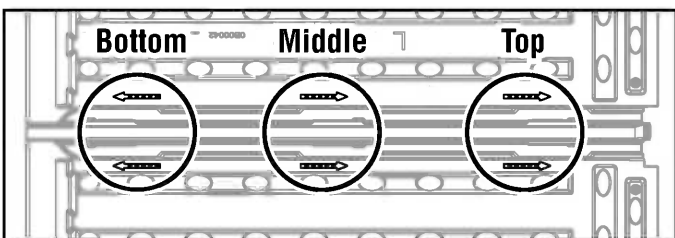
See illustration for correct orientation of connectors

Note: Have a second person push roof panels together to more easily lock roof connectors on.



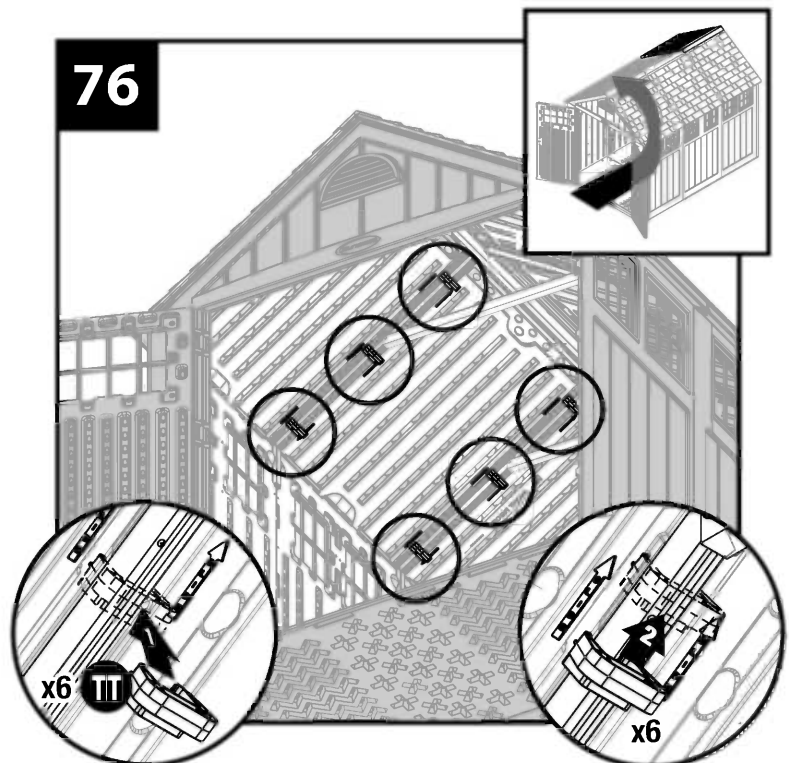
For clarity, illustration is shown with left front panel and left door removed.

Secure left roof panels to truss with three roof connectors (TT) in corresponding slots in roof panels. To lock in place, the top and middle connectors slide up and the bottom connector slides down, per molded arrow graphics on roof panels.



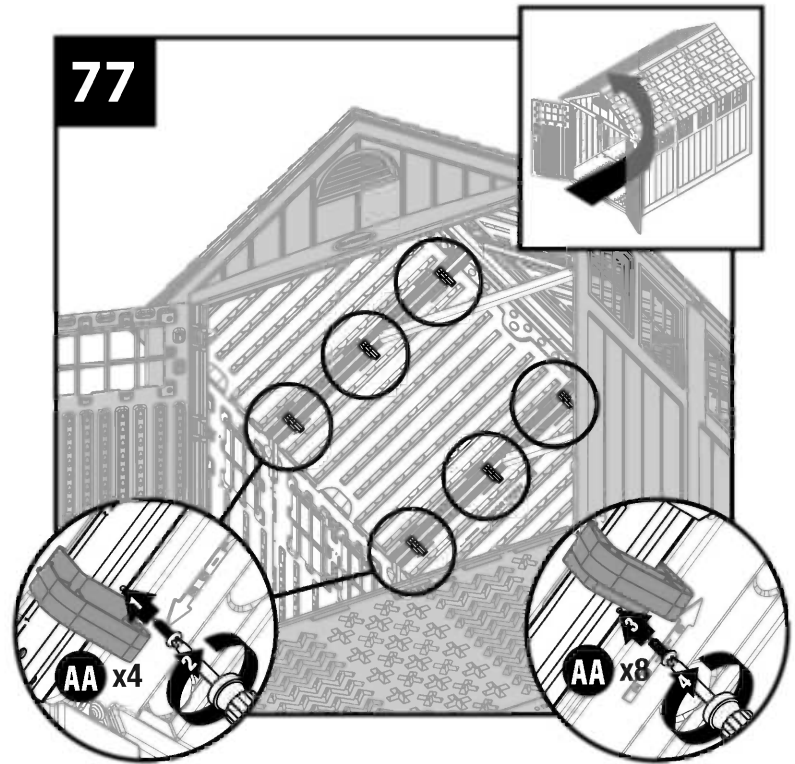
See illustration for correct orientation of connectors.

Note: Have a second person push roof panels together to more easily lock roof connectors on.



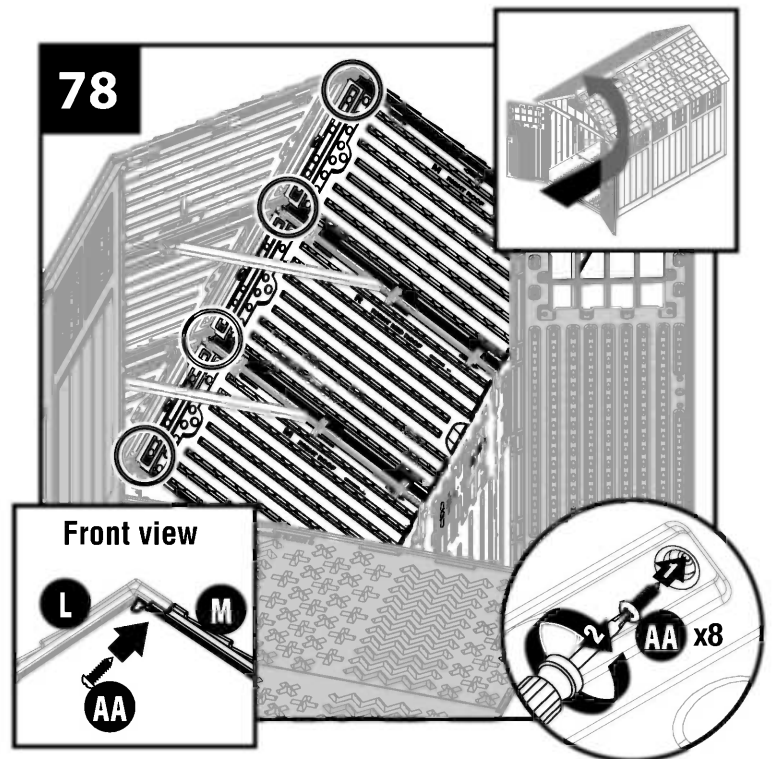
For clarity, illustration is shown with right front panel and right door removed.

For lower roof connectors, install one screw (AA) into truss in front of roof connectors. For middle and upper roof connectors, install one screw (AA) into truss behind roof connectors. Repeat for remaining six roof connectors.



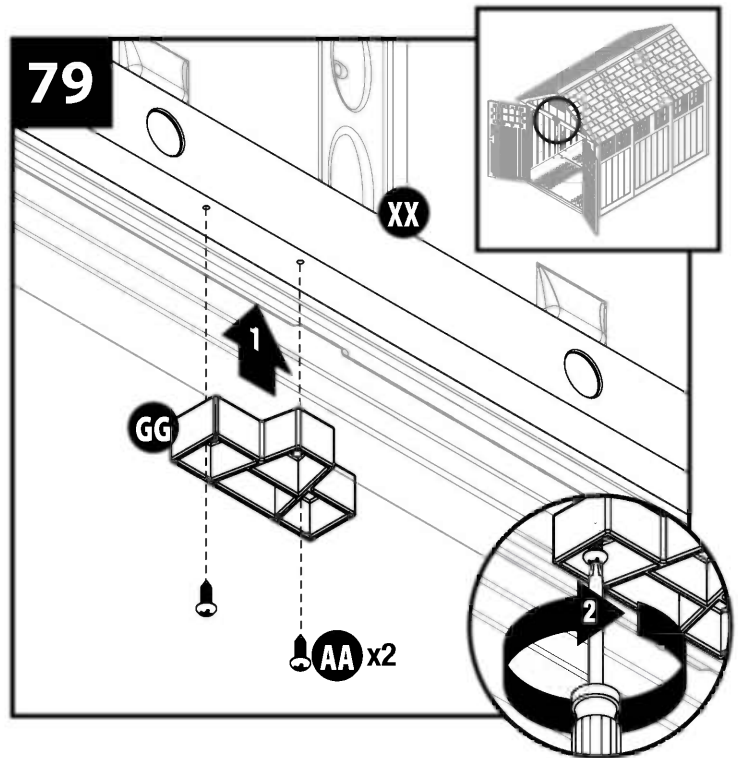
For clarity, illustration is shown with right front panel and right door removed.

From the interior of the shed, attach two screws (AA) through the holes in each right roof panel (M) into each left roof panel (L) and in middle roof panel (B) into right middle panel (R) to secure roof assembly.

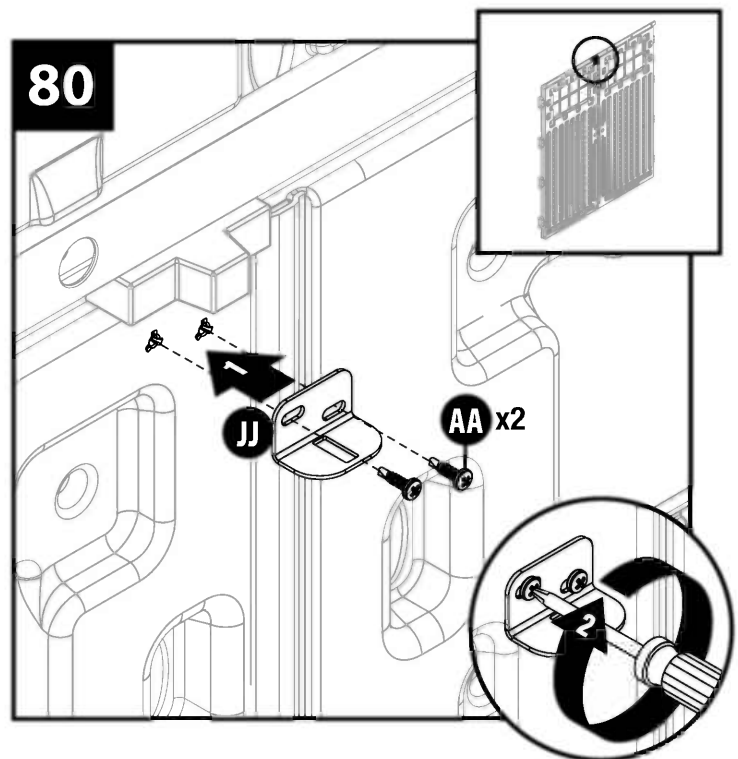


For clarity, illustration is shown with left front panel left door, and front header removed.

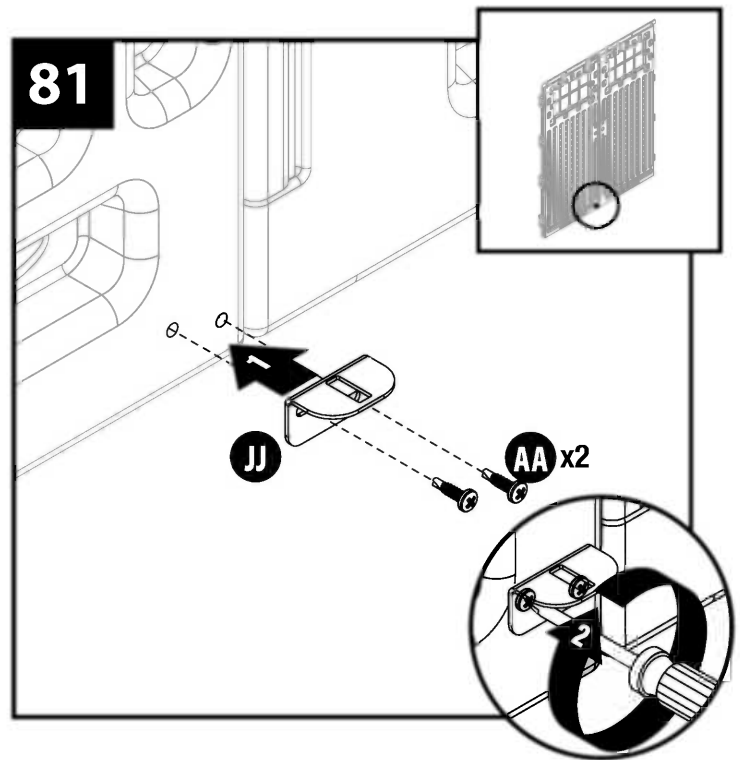
On front header, attach header latch plate (GG) to header beam (XX) with two screws (AA).



At the top interior side of right door, attach one clip (JJ) with two screws (AA) through pre-drilled holes.

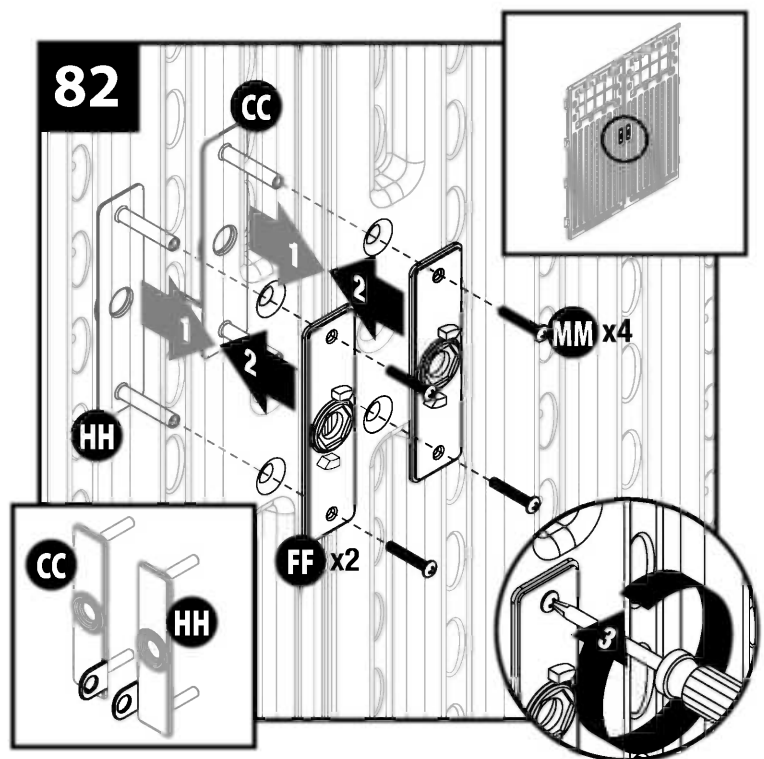


At the bottom interior side of right door, attach remaining clip (JJ) with two screws (AA) through pre-drilled holes.

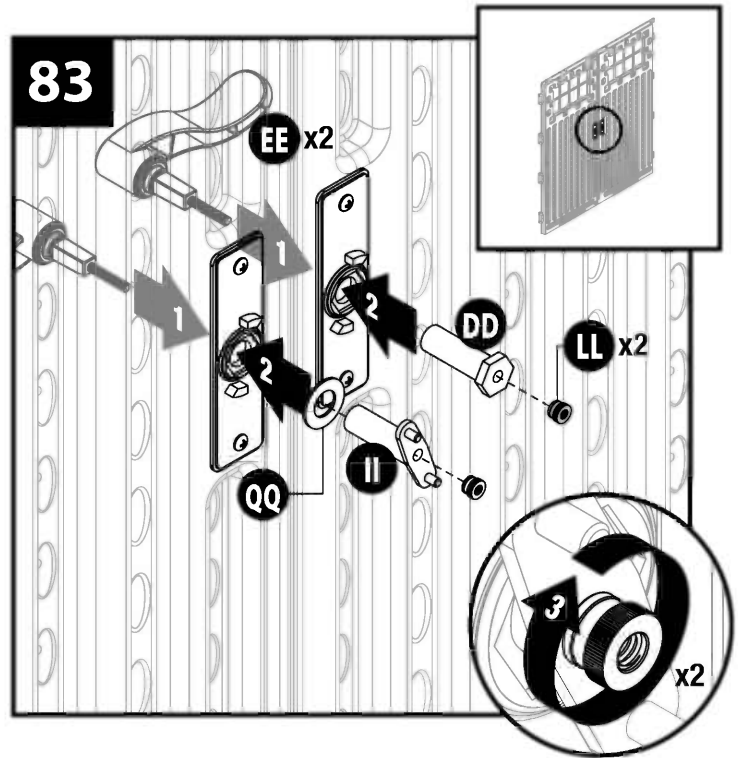


Insert screw stems, on left and right handle plates (CC) and (HH), through the pre-drilled holes in doors. While holding plates in place on exterior of door, position inside handle plates (FF) over the stems and secure each with two Phillips machine screws (MM).

Note: Left and right handle plates have locking tabs that should fit flush to each other between doors.

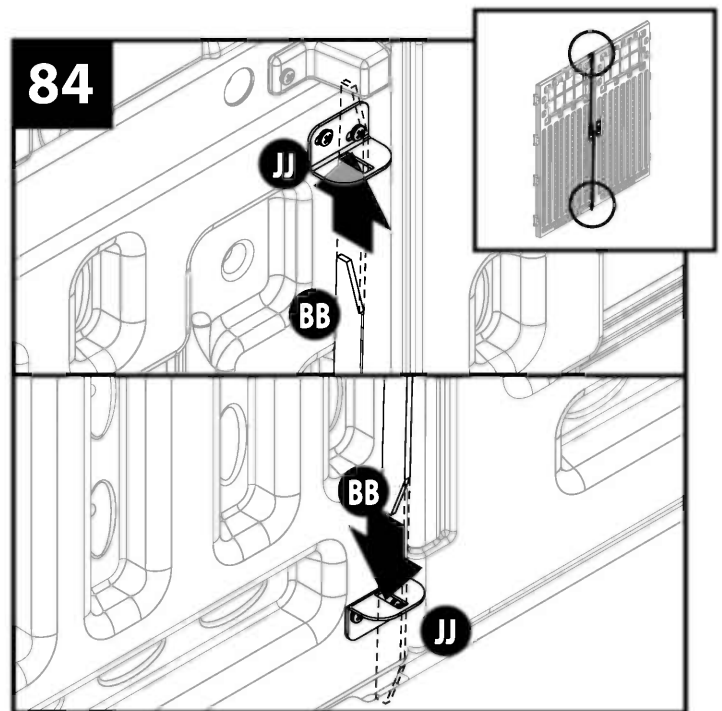


From the outside of left door, insert door handle (EE) through handle plate hole. On the inside of left door, place handle stop (DD) on door handle, and secure with nylon thumb nut (LL). From the outside of right door, insert door handle (EE) through handle plate hole. On the inside of right door, place actuator washer (QQ) and handle actuator (II) on right door handle and secure with nylon thumb nut (LL).

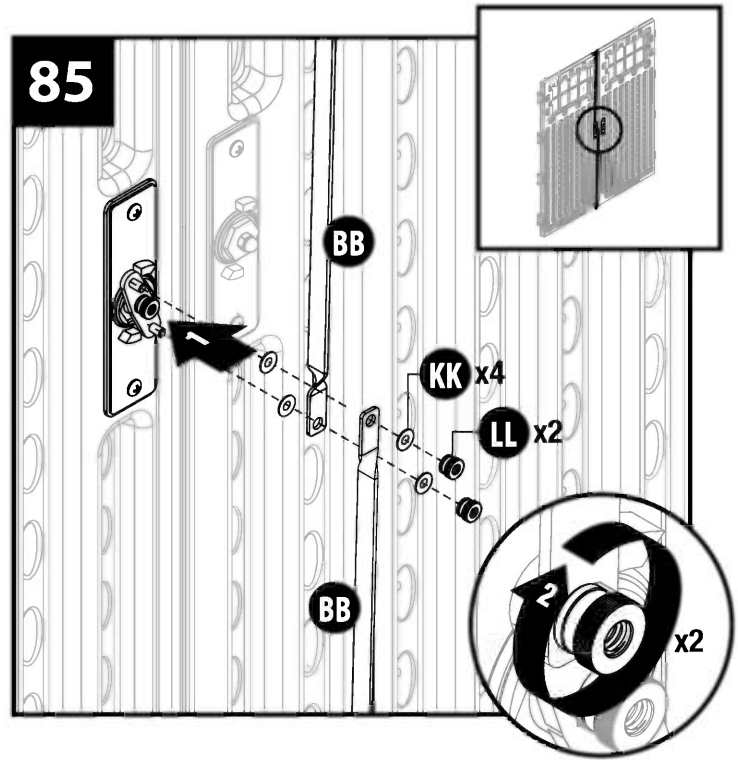


Insert angle ends of each rod (BB) into clips (JJ) on top and bottom interior of right door.

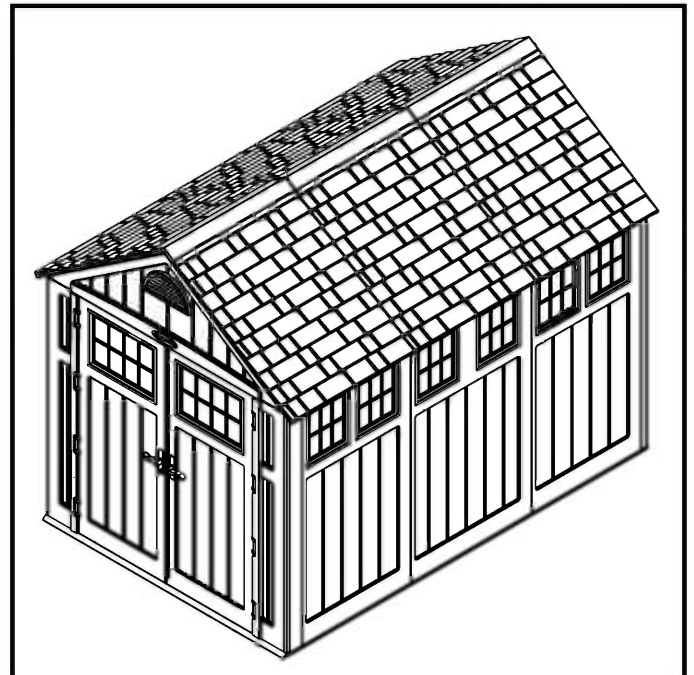
Note: Once correctly installed, the chamfered face of each rod will be facing the interior of the shed. The flat edge will be facing the right door backside.



On interior of right door handle, place one washer (KK) on each actuator pin, followed by the loose end of each rod (BB), one more washer (KK) and one nylon thumb nut (LL).



Complete shed.



Warranty

Suncast® Corporation, 701 North Kirk Road, Batavia, Illinois 60510 (Manufacturer) warrants to the original purchaser only that the enclosed product is free from material and workmanship defects under normal, household use at time of purchase. Defective product or part must be returned, freight prepaid, to the Manufacturer's address (Attention: Parts Department) along with proof of purchase. Upon receipt of the aforesaid, the defective product or part will be repaired or replaced at the option of the Manufacturer without charge to the original purchaser and returned to the customer freight collect.

This limited warranty does not apply to damage resulting from accident, neglect, misuse, commercial use, alteration, operation not in accordance with instruction or repairs made or attempted by unauthorized persons.

This limited warranty applies only to the product enclosed and does not apply to accessory parts.

THE MANUFACTURER'S LIABILITY HEREUNDER IS LIMITED SOLELY TO THE REPAIR OR REPLACEMENT OF THE DEFECTIVE PRODUCT OR PART AND THE MANUFACTURER SHALL IN NO EVENT BE LIABLE FOR ANY INCIDENTAL OR CONSEQUENTIAL DAMAGES WHICH MAY RESULT FROM ANY DEFECT IN MATERIAL OR WORKMANSHIP OR FROM THE BREACH OF ANY EXPRESS OR IMPLIED WARRANTY.

Some states do not allow the exclusion or limitation of incidental or consequential damages, or a limitation of how long an implied warranty lasts, so the above limitations may not apply to you. This warranty gives you specific legal rights, and you may have other rights which may vary from state to state.

Factory Repairs

Repair service and assembly assistance are available direct from the factory, not from the place of purchase. If this product requires repair, please call or write us. Warranty repair parts are sent out free of charge. If the product is out of warranty, we will inform you of the charges prior to sending out the parts. VISA and MasterCard are accepted on phone orders. For assembly or replacement parts information:

Replacement Parts
Suncast Corporation
701 North Kirk Road
Batavia, IL 60510 USA

Outside Illinois, but within North America
800-846-2345

Within Illinois, or outside North America
630-879-2050
visit: www.suncast.com
email: parts@suncast.com

Quality Control Number