

# IMPORTANT INSTRUCTIONS & OPERATING MANUAL

# FRIGIDAIRE®

## Venice

Wall Hanging Fireplace with LED Flame Technology & Digital Display

Item No: WLVF-1/0343



Read these instructions carefully before attempting to assemble, install, operate or maintain the product. Protect yourself and others by observing all safety information. Failure to comply with instructions could result in personal injury and / or property damage. Retain instructions for future reference.



## GENERAL SAFETY INFORMATION

**When using this fireplace, basic precautions should always be taken to reduce the risk of fire, electric shock and injury to persons, including the following:**

CAUTION – Due to the high temperature, keep electrical cords, drapery and other furnishings at least 3 feet from the front, side and rear of the fireplace.

1. Carefully read all instructions before using the fireplace and retain for future reference.
2. Remove the unit from its packaging and check to make sure it is in good condition before use.
3. Do not let children play with any parts of the packing (such as plastic bags, etc.).
4. Check the household voltage to ensure that it matches the fireplace's rated specification.
5. Before using the fireplace, carefully check the power cord and plug for any damage.
6. Be sure that the room is equipped with a working smoke detector.
7. Before unplugging the power cord, turn off the power. When touching the unit, keep your hands dry to prevent electric shock.
8. Do not place the fireplace near curtains or other inflammable objects. Keep combustible materials, such as pillows, bedding, papers, clothes, and curtains at least 3 feet away from the front, side and rear of the fireplace.
9. Do not block air intakes or exhaust in any manner to prevent fire.
10. Do not use on soft or uneven surfaces, like a bed, where openings may become blocked.
11. Exhibit extreme caution when any fireplace is in the vicinity of children and infants.
12. Never leave children or infants unattended while the fireplace is on or plugged in.
13. When not in use, always unplug the fireplace.
14. Prevent water from entering the housing of the fireplace during operation or while in storage.
15. Always store the fireplace in a dry area free from any moisture. This fireplace is not intended for use in bathrooms, laundry areas, or similar indoor locations. Never place the fireplace where it may fall into a bath tub or get exposed to water in any way.
16. Do not use in places where gasoline, paint, or other inflammable liquids are used or stored.
17. Do not run the cord under carpets. Do not cover the cord with throw rugs, runners, or similar products. Arrange the cord away from traffic areas such that it will not be tripped over by anyone.
18. Do not operate any fireplace with a damaged cord, a damaged plug, after the fireplace malfunctions, or if it has been dropped or damaged in any manner. Return the fireplace to an authorized service facility for examination, electrical or mechanical adjustment, or repair.
19. Do not insert fingers or allow foreign objects to enter any ventilation or exhaust opening as this may lead to an electric shock or fire, or may even damage the fireplace.
20. This fireplace becomes hot during use. To avoid burns, do not let bare skin touch hot surfaces. If necessary, use the handles when moving this fireplace.
21. Use this fireplace only as described in this manual. Any other uses not recommended by the manufacture may cause fire, electric shock, or personal injure and may void warranty privileges.
22. Always plug fireplaces directly into a wall outlet. Never use an extension cord, power strip, surge protector, multiple outlet adapter, cord reel or outlet-type air freshener. The use of such devices creates a fire hazard.

23. Faulty wall outlet connections may cause the wall outlet to overheat. Be sure that the fireplace plug properly fits into the outlet before each use. During use, make sure the fireplace plug does not overheat. If necessary, have a qualified electrician check and / or replace the wall outlet.
24. Do not place the fireplace near a bed for objects such as pillows or blankets can fall off the bed and be ignited by the fireplace.
25. Never clean this fireplace while it is plugged in. To disconnect, turn control to OFF, then remove the plug from the outlet. Never pull the cord. Always hold the plug firmly and then remove from the outlet.
26. This fireplace is intended for supplemental heat and / or decorative purposes. Continuous use for several hours can impact the performance and life of the fireplace.
27. It is not intended to be used in commercial, industrial or agricultural settings.
28. Do not use outdoors.
29. Do not shorten or change the shape of the bracket.

### **Getting Started**

- Remove the fireplace from the box.
- Remove the packaging. Place it inside the box or safely dispose elsewhere.

### **Package Contents**

- Electric Fireplace
- Wall Mount Bracket
- Screws and Screw Anchors
- Pebble Pack
- Remote Control (Requires 2 x AAA Batteries – Not Included)
- Instruction Manual

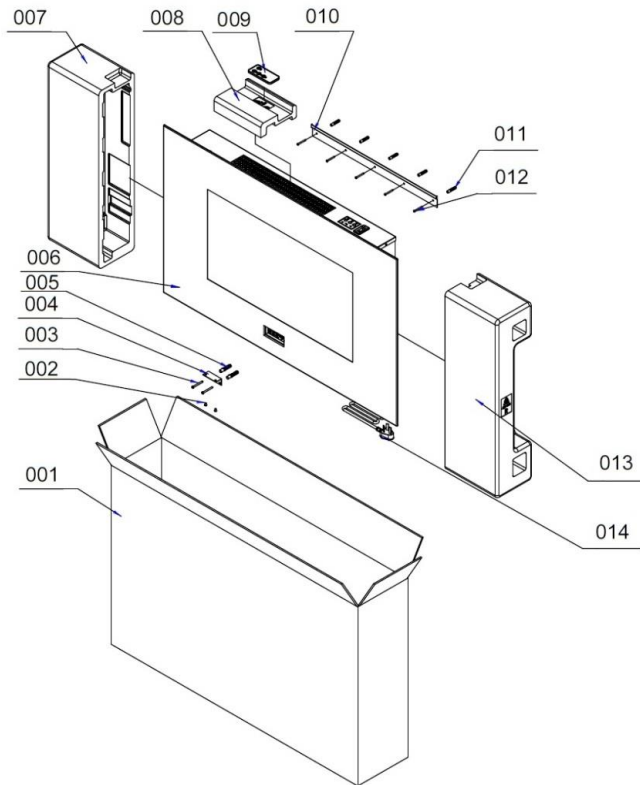
### **Features**

- Flat screen wall mount electric fireplace
- Dual heat settings (750Watts / 1500Watts)
- LED technology for realistic flame effect
- LED display shows heat settings, flame brightness & room temperature
- Flames operate with & without heat
- Adjustable flame brightness
- Black, heat resistant, tempered flat glass panel
- 1500 Watts
- Built-in overheat protection, auto safety shut-off
- Real pebbles included
- Wall brackets & hardware Included
- Remote Control Included

## Quick Reference Guide

- Prior to installation, please ensure that the voltage and capacity of your power outlet is compatible with your fireplace.
- Your fireplace may emit a slight, harmless odor during its first use. This odor is a normal reaction caused by the initial heating of internal fireplace parts and it will not occur again.
- It is normal for fireplace to make a rattling sound for a short duration of time during its first use.
- If your fireplace does not emit heat, please ensure the fireplace switch is on. For further information, please refer to the Troubleshooting section of this manual.

Sr. No	Item Description	Quantity
1	Carton	1
2	Screws (Φ4 x 8 mm)	2
3	Screws (Φ4 x 35mm)	2
4	Fixed Angle	1
5	Plastic plug(Φ 8 mm)	2
6	Fireplace	1
7	Styrofoam	1
8	Styrofoam	1
9	Remote control	1
10	Bracket	1
11	Plastic plug(Φ8 mm)	1
12	Screws (Φ4x35 mm)	1
13	Styrofoam	1
14	Power cord	1



## Helpful Advice Before Installation

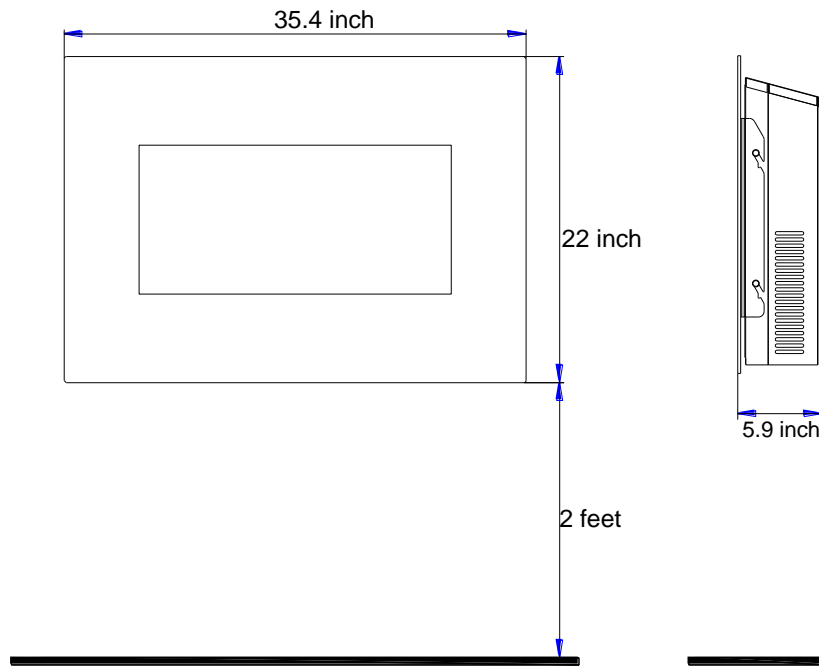
- Please retain all packaging until you have checked and counted all the parts and other package contents.
- The package contains small apparatus which should be kept away from young children and infants.
- We suggest that you move all the smaller parts into a container to reduce the risk of losing them.
- At least 2 people are required to install this fireplace.
- It is recommended to place your fireplace near an existing outlet, for ease of electric connection.
- Store your fireplace in a dry, safe and dust-free place while drilling, for fireplace installation.
- Do not attempt to wire new outlets or circuits. To reduce the risk of fire, electric shock or injury to persons, always have a licensed electrician perform maintenance and other repairs.
- Connect to properly grounded outlet only

## Tools Needed

- Power drill
- Screwdriver

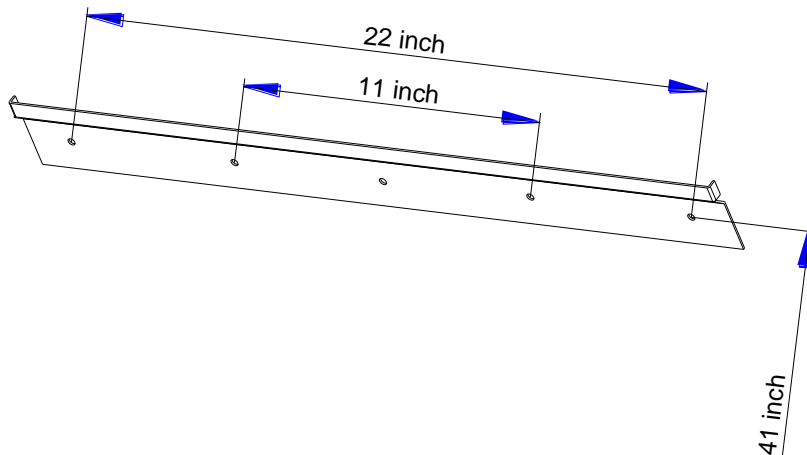
## Installation

- Do not connect the fireplace to the power supply until properly fixed to the wall and the instructions are carefully read.
- Make sure the area to be drilled does not have any hidden electrical wires or water and gas pipes.
- The minimum distances must be observed as shown in the diagrams below.
- During installation of the fireplace, avoid any possible damage to concealed cables.
- Please be careful when drilling holes.
- This fireplace is designed to be permanently fixed to a wall. Choose a wall that is sturdy enough to hold the weight of the fireplace such as a brick or cinder block wall. If positioning on drywall, it must be fixed to studs. If you are not sure if the wall is stable enough, then consult a hardware expert. The wall bracket must be fixed horizontally with the cable routed to the bottom right of the fireplace.
- For optimum viewing of the fuel bed, it is recommended that there be a distance of 2 feet from the bottom of the fireplace relative to the floor (see figure for recommended fixed dimensions).

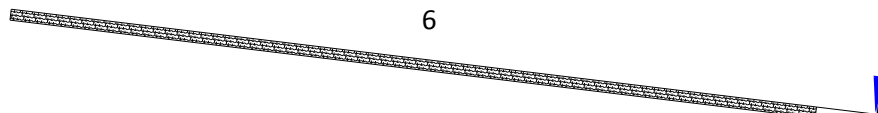


### Step One

- Keep the top of the fireplace at least 3 feet away from the ceiling or other objects for optimum heat ventilation.
- Remove the front frame from the fireplace and place it away safely so that it does not become damaged.
- For optimum viewing, place four marks on the wall with respect to the recommended fixed dimensions for the top screws (see figure below).
- Note: use a level when marking the positions of the holes to ensure that the bracket is mounted horizontally.



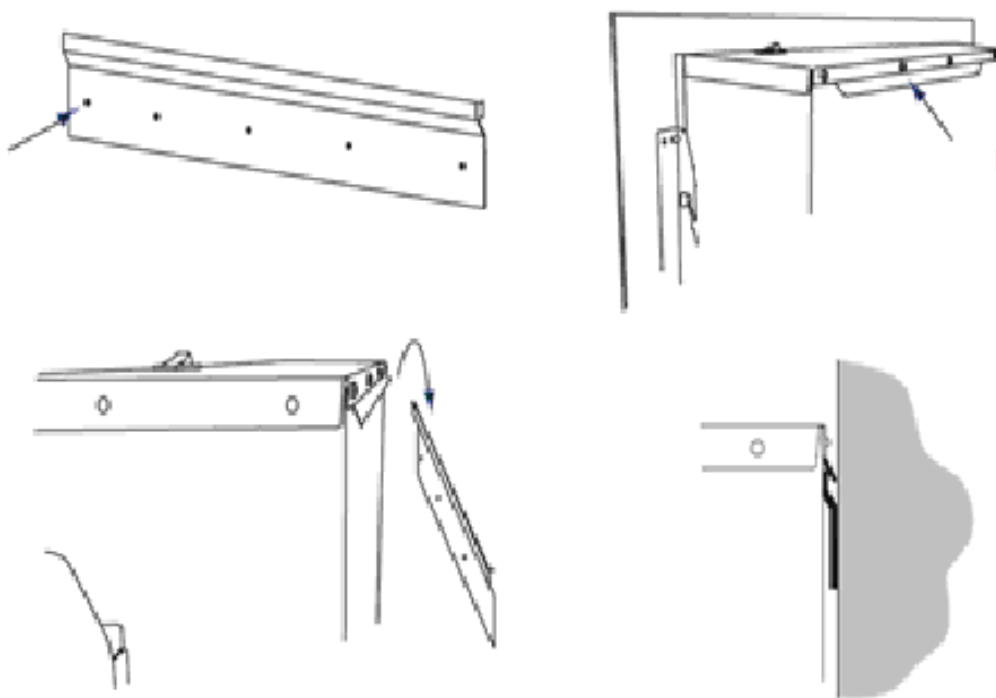
### Step Two



- Make sure the area to be drilled does not have any hidden electrical wires or water and gas pipes.
- The screws provided is for concrete walls only; please use suitable fixings for your wall type. If in doubt, contact a qualified hardware expert.
- Drill holes into the wall with respect to the four markings and then insert the screw anchors. Next, place the bracket onto the wall such that the holes are aligned. Insert the appropriate screws into the wall and then tighten them with a screwdriver.

### Step Three

- Using the two supplied (small) black screws, attach the lower fixing bracket to the base of the fireplace such that the bracket is fitted to be level with the back.
- Carefully lift up the fireplace onto the top rear ledge of the fireplace. Once the ledge latches onto the wall bracket and is evenly balanced, gently bring the fireplace down against the wall.
- Mark two positions on the wall for two holes to match the lower fixing bracket holes. Once the positions are properly marked, remove the fireplace.
- Drill holes into the marked position on the wall and then insert the screw anchors.
- Put the fireplace on the wall and fasten the bottom fixing bracket to the wall using the provided screws to permanently fix the fireplace in place.

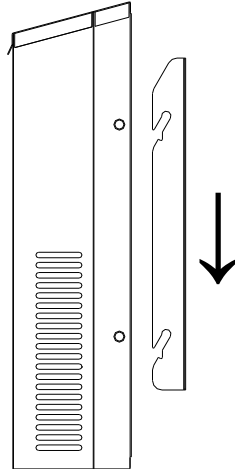


### Step Four

- Unpack the pebbles from the bag and place them along the light unit in the desired position. Please note the pebbles are located in the side of the polystyrene packaging.

### Step Five


- Place the front frame over the front of the fireplace aligning the slots in the bracket at each side of the glass panel with the knobs on the sides of the fire (see figure below). Two people will be required for this operation.





### Instructions for Use

This fireplace can be operated either by the switches located on the top right hand side of the fireplace or the supplied remote control.

### Manual Operation

- The switches are located on the top right hand side of the fireplace. The standby switch must first be turned on.
- Press the  button once to turn on the fireplace and flame effect. A red indicator light will appear to indicate that the function is ON.
- Press the 750W button once for low heat setting; press twice to turn off the heat.
- Press the 1500W button once for high heat setting; press twice to turn off the heat.

### Remote Control Operation

- The power switch  located at the right hand side of the fireplace must first be switched on; the fireplace will beep to indicate that it is powered up.
- Insert 2 x AAA batteries (not included) into the battery compartment of the remote control. Make sure they are inserted with the correct polarity. (The -/+ signs placed in the proper position.) Securely close the battery compartment cover.
- It takes some time for the receiver to respond to the transmitter. Do not press any buttons on the remote control more than once within two seconds in order for the fireplace to operate properly.
- Press the standby button  on the remote control once to turn on the fireplace with flame effect.
- Press the “LOW/HIGH” to switch between Low and High Heat settings.
- Press the “TEMP” button to adjust the thermostat to reach the desired temperature.



- Press the “FLAME” button to adjust flame brightness.

### Auto Safety Shut-Off Mechanism

- This fireplace is equipped with a safety shut-off feature which initiates if the fireplace overheats (e.g. Due to blocked air vents). For safety reasons, the fireplace will NOT automatically reset, and will need to be manually turned ON.
- To restart the fireplace, unplug the fireplace from the power outlet for at least 15 minutes. Next, reconnect to the power outlet and turn on the fireplace.

### Troubleshooting

Problem	Possible Solution
<b>Unit does not work / does not heat</b>	<ul style="list-style-type: none"> <li>• Check if the unit is plugged in the power outlet.</li> <li>• Check if the unit is in Standby mode. If so, turn the unit ON.</li> <li>• Check if the heat is turned OFF.</li> <li>• Check for safety cut-off operation.</li> </ul>
<b>No flame effect</b>	<ul style="list-style-type: none"> <li>• Check if the unit is plugged in the power outlet.</li> <li>• Check if the unit is in Standby mode. Turn the unit ON.</li> </ul>

### Cleaning & Maintenance

- Disconnect from the power supply before attempting any maintenance or cleaning in order to reduce the risk of fire, electric shock to persons or damage to property.
- **Warning** - Always disconnect from the power supply before cleaning fireplace.
- For general cleaning, use a soft, clean duster. Never use abrasive cleaners. The glass viewing screen should be cleaned thoroughly with a soft cloth. Do **NOT** use proprietary glass cleaners.
- Periodically check all fixings and tighten if necessary.
- The LED bulbs inside can NOT be replaced.
- **Caution: Sharp edges!**

### Technical Specification

- Supply: 120V, 60Hz
- Rated Power: 1500W
- Bulb: LED (cannot be replaced)

**Trademark Notice: FRIGIDAIRE is a registered trademark used under license from Electrolux Home Products, Inc.**