

## Warranty:

### **LIMITED WARRANTY\* ONE (1) YEAR:**

Your *Elite Platinum* small kitchen appliance is built with precision, inspected and tested before leaving our factory. It is warranted, to the original purchaser or gift recipient, to be free from any manufacturing defects under normal use and conditions for one (1) year, cord excluded. During that period, should the appliance fail to operate properly, return the appliance with your sales receipt to the store where purchased. This warranty gives you special legal rights and you may also have other rights to which you are entitled, which may vary from state to state. If you use your appliance for household use and according to instructions, it should give you years of satisfactory service.

**This limited warranty covers appliances purchased and used within the surrounding United States and does NOT cover:**

- Damages caused from improper usage or installation of appliance.
- Damages caused from shipping.
- Defects other than manufacturing defects.
- Breakage caused by misuse, abuse, accident, alteration, lack of proper care and maintenance, or incorrect current or voltage.
- The loss or missing parts of the appliance. Parts will need to be purchase separately.
- Damage from service by other than an authorized dealer or service center.
- Any transportation and shipping charges.

**RETURNS:** Any return of defective merchandise to the manufacturer must be processed accordingly by contacting customer service first to obtain RA # (Return Authorization Number). We will not accept any returns of merchandise without an applicable RA #.

\*One Year Warranty valid only in the United States, **excluding** Alaska, Hawaii, and Puerto Rico. For international warranty, please contact the local distributor.

\*\*Any instructions or policy included in this manual may subject to change at any time.

**Elite**  
BY MAXI-MATIC

**PLATINUM**

## **2 Slice Stainless Steel Electronic Toaster**



**Model ECT-200X**

Model ECT-200X

*Elite Platinum*® 2 Slice Stainless Steel Electric Toaster

**MAXI-MATIC**®, USA

18401 E. Arenth Ave. City of Industry, CA 91748

Customer Service Dept: (626) 912-9877 Ext: 120 MON-FRI 10-5pm PCT

Website: [www.maxi-matic.com](http://www.maxi-matic.com)

**Instruction Manual**

## Important Safeguards

When using electrical appliances, especially when children are present, basic safety precautions should always be followed including the following:

**1. READ AND SAVE ALL INSTRUCTIONS.**

2. Do not touch hot surfaces. Use handles or knobs.
3. To protect against electrical shock do not immerse cord, plugs, in water or other liquid.
4. Close supervision is necessary when any appliance is used by or near children.
5. Unplug from outlet when not in use and before cleaning. Allow to cool before putting on or taking off parts.
6. Do not operate any appliance with a damaged cord or plug or after the appliance malfunctions or has been damaged in any manner. Return appliance to the nearest authorized service facility for examination, repair, or adjustment.
7. The use of accessory attachments is not recommended by the appliance manufacturer may cause injuries.
8. Do not use outdoors.
9. Do not let cord hang over edge of table or counter, or touch hot surfaces.
10. Do not place on or near a hot gas or electric burner, or in a heated oven.
11. Extreme caution must be used when moving an appliance containing hot oil or other hot liquids.
12. Always attach plug to appliance first, then plug cord into the wall outlet. To disconnect, turn any control to "off", then remove plug from wall outlet.
13. Do not use appliance for other than intended use.
14. Oversize foods, metal foil packages, or utensils must not be inserted in a toaster as they may involve a risk of fire or electric shock.
15. A fire may occur if toaster slots are covered or touching flammable material, including curtains, draperies, walls, and the like, when in operation.
16. Do not attempt to dislodge food when toaster is plugged in.
17. The appliance is exclusive for the use which it has been expressed by the manufacturer. Any other use is to be considered inappropriate and therefore dangerous. The manufacturer cannot be held responsible for eventual damage caused by inappropriate, improper or irresponsible use and/or for repairs made to the product by unauthorized personnel.
18. After having removed the appliance from the packaging, make sure that the product is complete and in perfect condition.
19. The plastic bag in which the appliance was packaged should be kept out of reach of children as it poses a suffocation hazard. In order to remove the dust that may have accumulated on the appliance, simply dust it off with a soft cloth.
20. Before inserting the plug into the electrical outlet, make certain the voltage of the outlet corresponds to the value indicated on the information label, attached to the appliance.
21. The use of an extension cord is not recommended as overheating of the extension cord may occur during the operation of toaster.
22. When the appliance is plugged into the electrical outlet, and moreover, while it is turned on, never place hands into the bread toasting slots.

23. Do not touch the appliance with wet or damp hands.
24. The metal sides of the toaster and the areas surrounding the bread slots become very hot during use: operating the appliance should be carried out using only the plastic dials and handles.
25. Bread is a food which may catch fire. Do not use this appliance under or next to curtains or other combustible material.
26. Never re-toast the same piece of bread at the same setting. If you wish to re-toast the bread, set the toasting control dial to a lower setting and do not leave the toaster unattended. Failure to do so may result in a fire hazard.
27. Do not cover the appliance while it is in use.
28. Unplug the appliance from the electrical outlet when it is not in use.
29. Do not unplug the appliance from the outlet by pulling on the cord.
30. Do not leave the appliance exposed to the elements, rain, direct sunlight, frost, etc.).
31. Before doing any cleaning or operation, unplug the appliance from the electrical outlet.
32. Do not immerse the appliance, the plug, or the electrical cord in water.

**SAVE THESE INSTRUCTIONS!**

**THIS PRODUCT IS FOR HOUSEHOLD USE ONLY!**

## GENERAL SAFETY RULES:

**WARNING!** Read and understand all instructions. Failure to follow all instructions listed below may result in electric shock, fire or serious personal injury. The warnings, cautions, and instruction discussed in this instruction manual cannot cover all possible conditions and situations that may occur. It must be understood by the operator that common sense and caution are a factor which cannot be built into this product, but must be supplied by the operator.

### READ AND SAVE ALL INSTRUCTIONS!

**CAUTION:** A short power supply cord is provided to reduce the risk of personal injury resulting from becoming entangled in or tripping over a longer cord. Extension cords are available from local hardware stores and may be used if care is exercised in their use. If an extension cord is required, special care and caution is necessary. Also the cord must be: (1) marked with an electrical rating of 125 V and at least 13 A., 1625 W., and (2) the cord must be arranged so that it will not drape over the countertop or tabletop where it can be pulled on by children or tripped over accidentally.

### ELECTRIC POWER

If electric circuit is overloaded with other appliances, your appliances may not operate properly. The appliances should be operated on a separate electrical circuit from other operating appliances.

### POLARIZED PLUG

This appliance has a polarized plug (one blade is wider than the other). As a safety feature to reduce the risk of electrical shock, this plug is intended to fit in a polarized outlet only one way. If the plug does not fit fully in the outlet, reverse the plug. If it still does not fit, contact a qualified electrician. Do not attempt to defeat this safety feature.

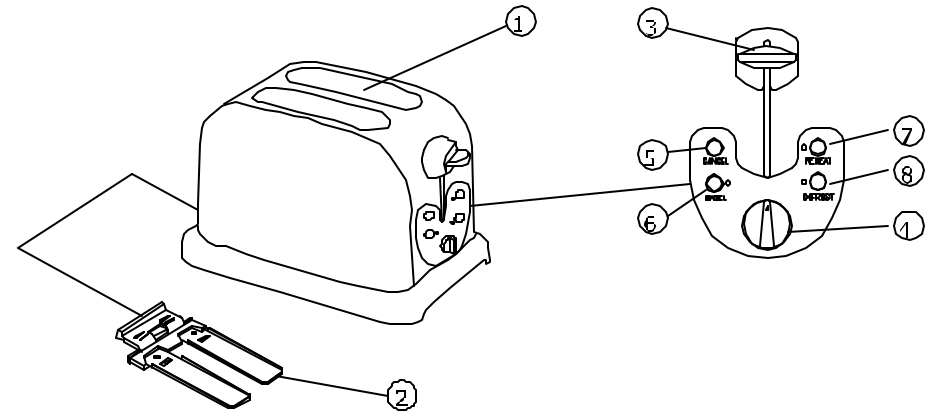
### SAFETY WARNING

Although your appliance is easy to operate, for your safety, the below warnings must be followed:

1. Do not place the appliance near a heat source.
2. Never leave the appliance unattended while connected to the electrical outlet.
3. To avoid any accidental burns, never put a hand over a steam vent or cover when the appliance is in operation. Always use lid handle.
4. Use the appliance on a stable work surface away from water.
5. Do not unplug the socket by pulling on the supply cord.
6. The appliance must be unplugged:
  - A. Before either filling or emptying
  - B. Before any cleaning or maintenance
  - C. After use
  - D. If it appears to be faulty

**THIS PRODUCT IS INTENDED FOR HOUSEHOLD USE ONLY.**

## Parts & Features



1. Wide Bread Slot
2. Pull out crumb tray
3. Push-Down Lever
4. Light/dark selector (1-5)
5. Cancel function
6. Bagel function
7. Reheat function
8. Defrost function

## USE & CARE

**The first time you use the toaster, you should do so without bread.** This will pre-heat the new element and burn off any dust collected during the storage process. If your toaster is not plugged in and switched on, the control lever will not lock in the down position.

1. Make sure crumb tray is in place and bread carriage is in the up position.
2. Set up toaster on flat, firm countertop surface away from the edge and at least 3 inches away from wall or rear of counter.
3. Unwind power cord and plug power cord into nearby outlet.
4. Insert slices of bread. Be sure the bread carriage lever is on UP position.
5. Press the bread carriage lever down until it locks into position.
6. When the toasting cycle is completed the toast is automatically ejected up. To terminate the toasting cycle before it is completed, simply press the cancel button.
7. After use, unplug the toaster from electrical outlet.

## **OPERATION:**

---

### **FEATURES**

- Wide toasting slots: 1 -1/2 slot toasts a wide variety of breads.
- Cancel button: Interrupts toasting process when pressed.
- Slide out crumb tray: Removes easily to clean crumbs from bottom of toaster.
- Cord storage: Takes up excess cord and keeps countertop neat.
- Light /Dark selector: Sets desired toast color from light to dark.

### **INSTRUCTIONS FOR USE**

1. Plug into suitable power outlet and turn power on.
2. To set the toasting level turn the selector clockwise from the lightest level –1– to the darkest –5. If you are not sure, start with a lower level.
3. Insert one slice of bread per toasting slot and lower the slot with the lever until it snaps into place.
4. The toaster will start to toast and switches off automatically at the end. The slide pops up automatically.
5. Allow the unit to cool down before you put it away.

To use the special functions press the relevant button – REHEAT, DEFROST, BAGEL – after lowering the lever. The corresponding LED signals its activation.

**DEFROST:** To defrost and to complete the toasting of deep-frozen bread.

**REHEAT:** To warm bread already toasted.

**BAGEL:** For the toasting of one side of a hamburger bun half. In this case only the toaster's inner heating coils are active. The outer coils remain cold. The side of the bun to be toasted must face the inner part of the toaster.

**CANCEL:** For the anticipated stopping of the toasting procedure.

### **TOASTING NOTES**

Toasting is a combination of cooking and drying the bread. Moisture levels differ from one bread to another, which can result in varying toasting times.

- Thickly cut pieces of bread will take longer to toast, sometimes significantly longer, since more moisture must be evaporated from the bread before toasting can occur.
- Very thick pieces may require two cycles.
- When toasting raisin or other fruit breads, remove any loose raisins from the surface of the bread before placing into the toaster. This will help prevent pieces from falling into the toaster or sticking on the guard wire in the slot.
- Before toasting bagels, slice each bagel into two equal halves.
- Single slice toasting: When you are toasting as single slice of bread, set the light/dark selector lighter than normal. The toaster is designed to heat the whole toasting chamber for two slices. By lowering the heat for a single slice you will not over toast.

- Pastries: Exercise caution when toasting pastries. The filling can become quite hot long before the surface of the pastry becomes brown.
- When the cycle is complete the bread carriage will raise the toast up. To terminate the toasting cycle before it is completed, simply press down the cancel button.
- This unit can be used for 2-slice toasting or 4 slice toasting. Press down only the Bread Carriage Lever on the Left Control panel (or the Right Control panel) and other function button(s) on the same Control Panel the unit is for 2 slice toasting. Press down the Bread Carriage Levers on both control panels together with other function button(s), the unit is for 4 slice toasting.

### **Crumb tray**

The crumb tray should be emptied regularly as a build-up of crumbs could be a potential fire hazard. After toasting, allow the toaster to cool down thoroughly, then slide out the crumb tray and empty.

### **Note:**

The toasting slots allow you to use a variety of different bread widths, as well as muffins, tea cakes, crumpets and bagels. However, you should not force items into the slots which are clearly too large. If an item does become jammed, switch toaster off and unplug from outlet immediately. Once cooled, turn toaster upside down and gently shake to remove the lodged item. Do not insert sharp objects such as knives, as this may damage the heating element.

## CAUTION

Always be sure that the appliance is switched OFF before cleaning or attempting to store the item. **Never immerse the appliance in water or running water.**

### CLEANING

1. Always unplug the toaster from electrical outlet and allow to cool before cleaning.
2. Do not use abrasive cleansers. Simply wipe the exterior with a clean damp cloth and dry thoroughly. Apply any cleaning agent to cloth, not directly onto the toaster.
3. To remove crumbs slide out the crumb tray and discard crumbs. Wipe clean and replace. Never operate the toaster without crumb tray in place.
4. To remove any pieces of bread remaining in the toaster, turn the toaster upside down and shake gently. Never insert any hard or sharp instrument into the slots as this could damage the toaster and cause a safety hazard.
5. Never wrap the cord around the sides of the toaster. Use the cord storage cleats on the underside of the toaster.

**DO NOT** use metal polish.

**DO NOT** use abrasive powders, hard abrasive scourer or wire wool.

**DO NOT** immerse your toaster in any form of liquid.

**DO NOT** use any sharp or pointed articles for cleaning the inside as this will damage the heating element.

**NEVER** put metal objects or your fingers into the toasting slots. If an item does become jammed, switch toaster off and unplug from outlet immediately. Once cooled, turn toaster upside down and gently shake to remove the lodged item.

### CAUTION:

1. Do not touch hot surfaces. Use handles or knobs. **Surfaces on the top of the toaster become extremely hot.**
2. To prevent against electrical hazards, do not immerse cord, plug or toaster in water or other liquid, See instructions for cleaning.
3. Close supervision is necessary when any appliance is used by or near children.
4. Always unplug appliance from outlet when not in use and before cleaning. Allow to cool before cleaning and handling.

### STORING

Allow the appliance to cool completely before storing. Store the appliance in a dry location. Do not place any heavy items on top of appliance during storage as this may result in possible damage of appliance.

### TROUBLESHOOTING:

- To remove smaller items such as muffins, crumpets and bagels, the control lever (1) can be lifted approximately ½ inch above the starting position.
- To achieve even browning, we suggest a minimum of 10 seconds between each toasting to allow the control to automatically reset.
- For best results use bread slices of even thickness, size and freshness. Select a lower setting:
  - a) If using stale bread (toasts more quickly than fresh bread)
  - b) If using thin bread (toasts more quickly than thick bread)