

PT900SR

GE Profile™ 30" Built-In Single Wall Oven

Dimensions and Installation Information (in inches)

KW Rating	
240V	3.8
208V	2.8
Breaker Size	
240V	20 Amps
208V	20 Amps

Most 30" Wall Cabinets can be used with this unit.

Note: These ovens are not approved for stackable installations. Cabinets installed adjacent to wall ovens must have an adhesion spec of at least a 194°F temperature rating.

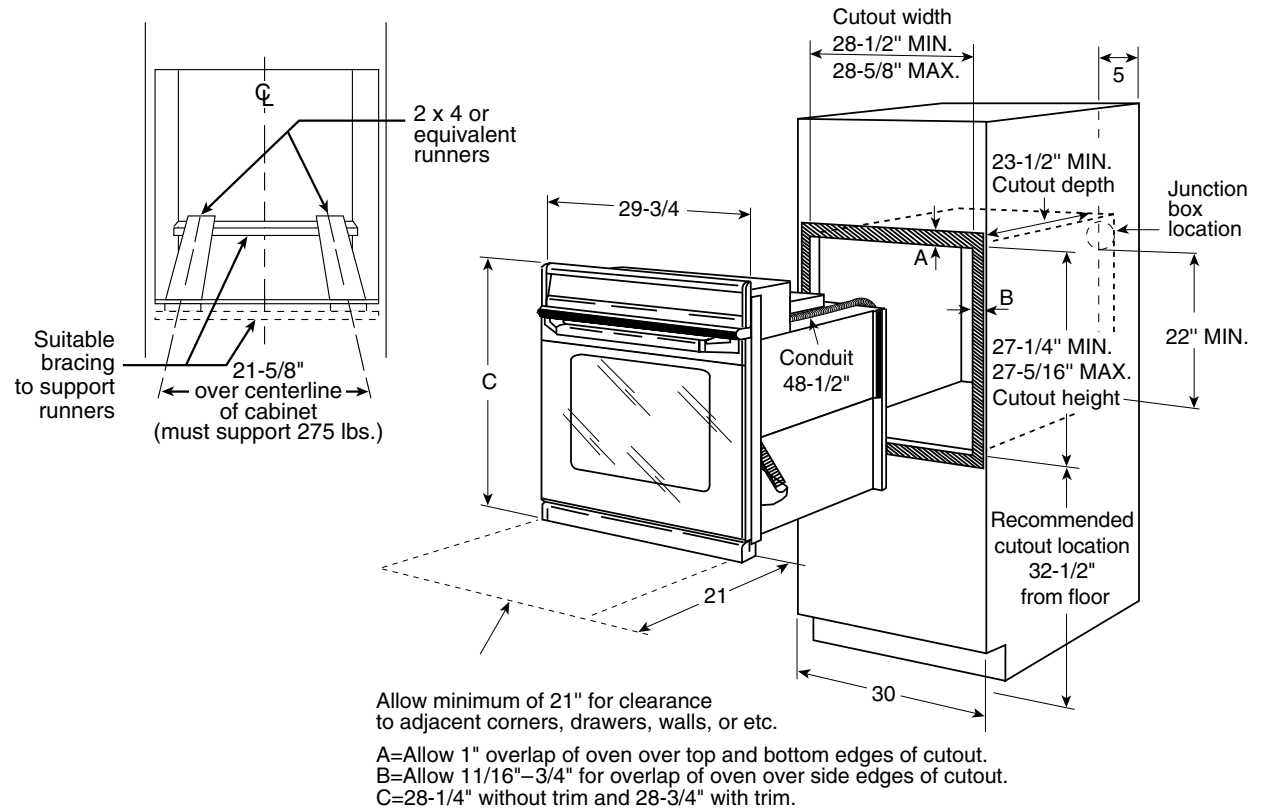
Door handle protrudes 3" from door face. Cabinets and drawers on adjacent 45° and 90° walls should be placed to avoid interference with the handle.

Electric wall ovens are not approved for installation with a plug and receptacle. They must be hard wired in accordance with installation instructions.

Installation Information: Before installing, consult installation instructions packed with product for current dimensional data.

Side-by-side installations require at least 2" between cutouts.

For answers to your Monogram®, GE Profile™ or GE® appliance questions, visit our website at ge.com or call GE Answer Center® service, 800.626.2000.



Dimension and installation information are shown in inches.



imagination at work



Specification Created 5/10

220231

PT900SR

GE Profile™ 30" Built-In Single Wall Oven

Optional Undercounter Dimensions and Installation Information

Note: 36" ribbon cooktops are approved for use over GE 30" single wall ovens only. 30" ribbon cooktops are approved for use over GE 30" and GE 27" single wall ovens. Refer to cooktop and wall oven installation information packed with products for current dimensional data.

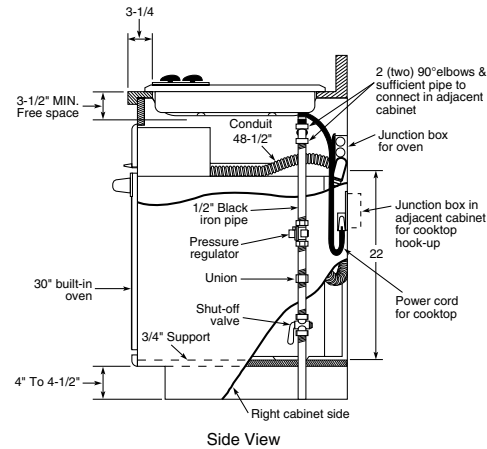
Note: CleanDesign or Sealed Burner Gas

This installation is to achieve minimum gap between bottom of countertop and control panel. For this installation, the bottom trim will not be flush with a typical 4" toe kick

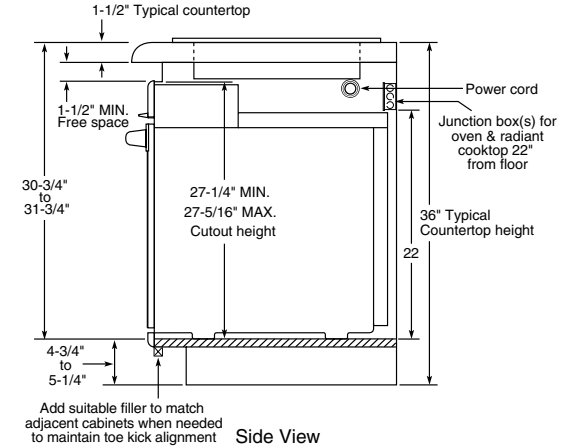
Note: Cabinets installed adjacent to wall ovens must have an adhesion spec of at least a 194°F temperature rating.

Installation Information: Before installing, consult installation instructions packed with product for current dimensional data.

With Gas Cooktop

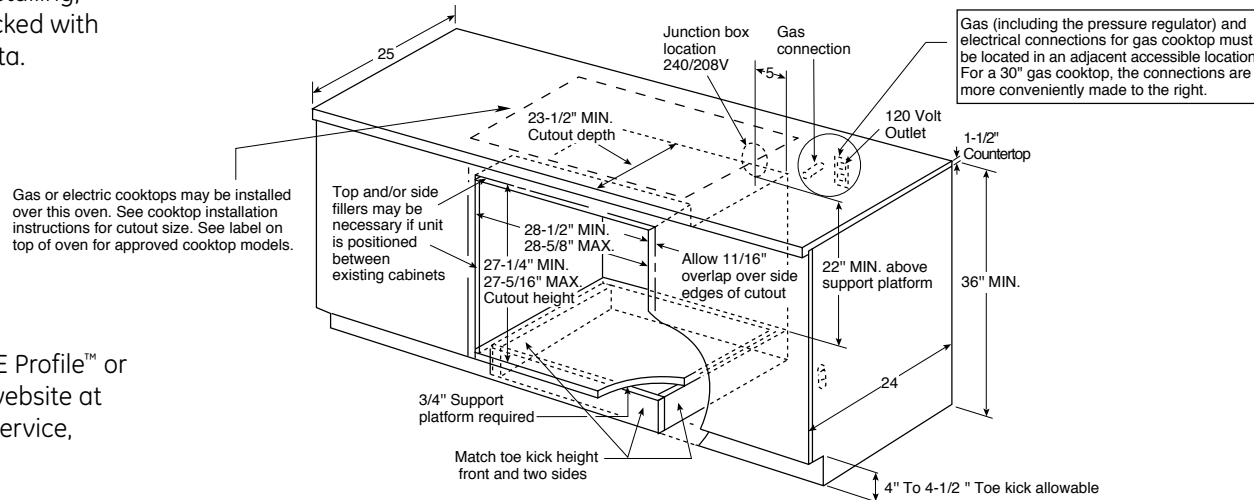


With Electric Cooktop



Note: For this installation, the bottom trim **will not** be flush with a typical 4" toe kick.

Note: Cabinets installed adjacent to wall ovens must have an adhesion spec of at least a 194°F temperature rating.



For answers to your Monogram®, GE Profile™ or GE® appliance questions, visit our website at ge.com or call GE Answer Center® service, 800.626.2000.

Dimension and installation information are shown in inches.



imagination at work



Listed by Underwriters Laboratories



Specification Created 5/10

220231

PT900SR

GE Profile™ 30" Built-In Single Wall Oven

Features and Benefits

- Glass touch controls–Smooth controls are easy to use and add a sophisticated style to the kitchen
- Black gloss oven interior–Black oven interior adds a stylish touch to any kitchen
- Hidden bake oven interior–Conceals the lower oven bake element to eliminate hard-to-reach areas that collect food and spills for easy cleaning
- Heavy-duty oven racks –These durable racks offer crossbars that are nearly 50% thicker than standard racks for added strength
- Self-clean oven–Self-clean allows you to spare yourself from the trouble and effort it takes to scrub the oven interior
- Super-large oven capacity–Remarkably large oven interior is ideal for holidays, dinner parties and everyday family cooking
- Dual interior lighting–Bright interior lights help you check on the progress of your cooking
- Model PT900SRSS – Stainless steel

