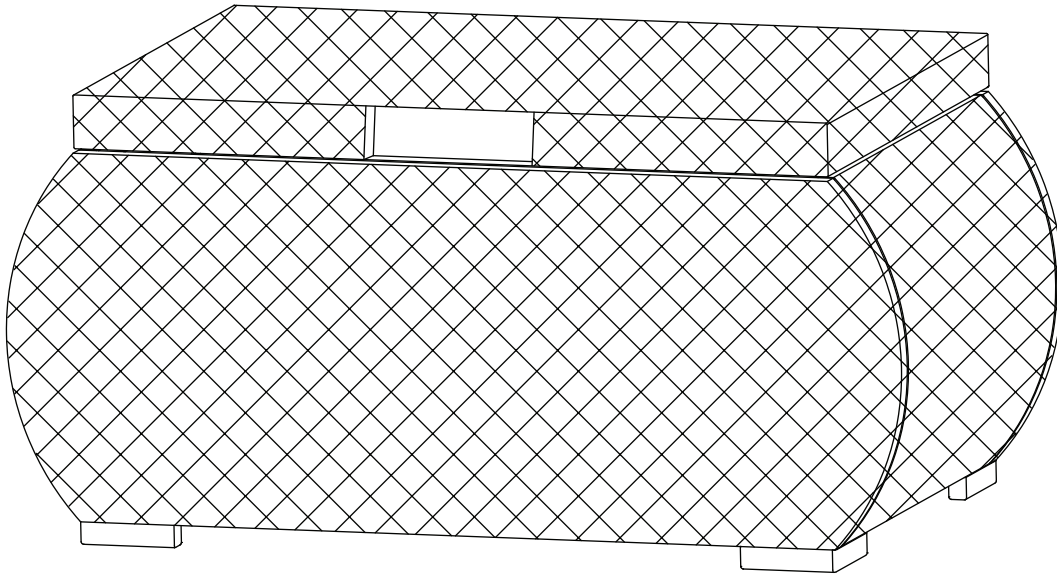




Item # 000 000
Model # FWS60494

USE AND CARE GUIDE

BROADVIEW STORAGE COFFEE TABLE



Questions, problems, missing parts? Before returning to the store
call Hampton Bay Customer Service.
8 a.m. - 7 p.m., EST, Monday - Friday, 9 a.m. - 6 p.m., EST, Saturday

1-855-HD-HAMPTON

HAMPTONBAY.COM

THANK YOU

*We appreciate the trust and confidence you have placed in Hampton Bay through the purchase of this storage coffee table. We strive to continually create quality products designed to enhance your home. Visit us online to see our full line of products available for your home improvement needs.
Thank you for choosing Hampton Bay!*

Table of Contents


Table of Contents.....	2	Pre-Assembly	3
Safety Information	2	Planning Assembly	3
Product Caution	2	Hardware Included	3
Safety Warnings	2	Package Contents	4
Warranty	2	Assembly	5
What is Covered	2	Care and Cleaning.....	11
What is Not Covered	2		


Safety Information

PRODUCT CAUTION


This coffee table was made for the explicit purpose of providing outdoor functions and is not to be used as a toy. This product is intended for normal outdoor use; however, the manufacturer recommends storing and / or covering this table when any formidable / severe weather is approaching. Do not locate this product near open flames. Do not use this product as a support. Do not shake, lean or climb on this product. Children under the age of 10, near this product, should be supervised by a competent adult at all times. This product is NOT intended for commercial use and will void the warranty.

SAFETY WARNINGS

 **WARNING:** This coffee table unit is heavy, and may require two adults for safe assembly.

 **CAUTION:** Do not locate the product near any heat source.

 **WARNING:** Do not place heavy objects on the table top.

 **CAUTION:** When not in use, secure the product in a cool and covered location.

Warranty

2 YEAR LIMITED WARRANTY

WHAT IS COVERED

We warrant the table to be free of manufacturing defects to the original purchaser for two years.

WHAT IS NOT COVERED


It remains the customer's responsibility for freight and packaging charges to and from our service center. This warranty does not cover commercial use, hardware, acts of nature, fire, freezing and abusive use. In addition, purchased parts are not covered under this warranty. We reserve the right to make substitutions with similar merchandise, if the model in question is no longer in production.

Contact the Customer Service Team at 1-855-HD-HAMPTON or visit www.HamptonBay.com.


Pre-Assembly

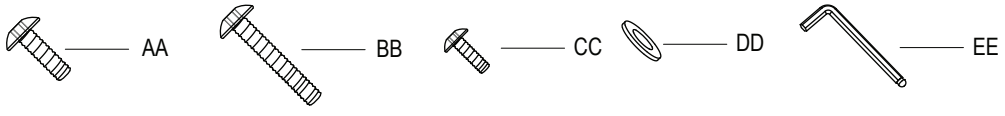
PLANNING ASSEMBLY

Read all instructions before assembly.
To avoid damaging this product, assemble it on a soft, non-abrasive surface such as carpet or cardboard.

 **NOTE:** More than one person may be required to assemble this product.

HARDWARE INCLUDED

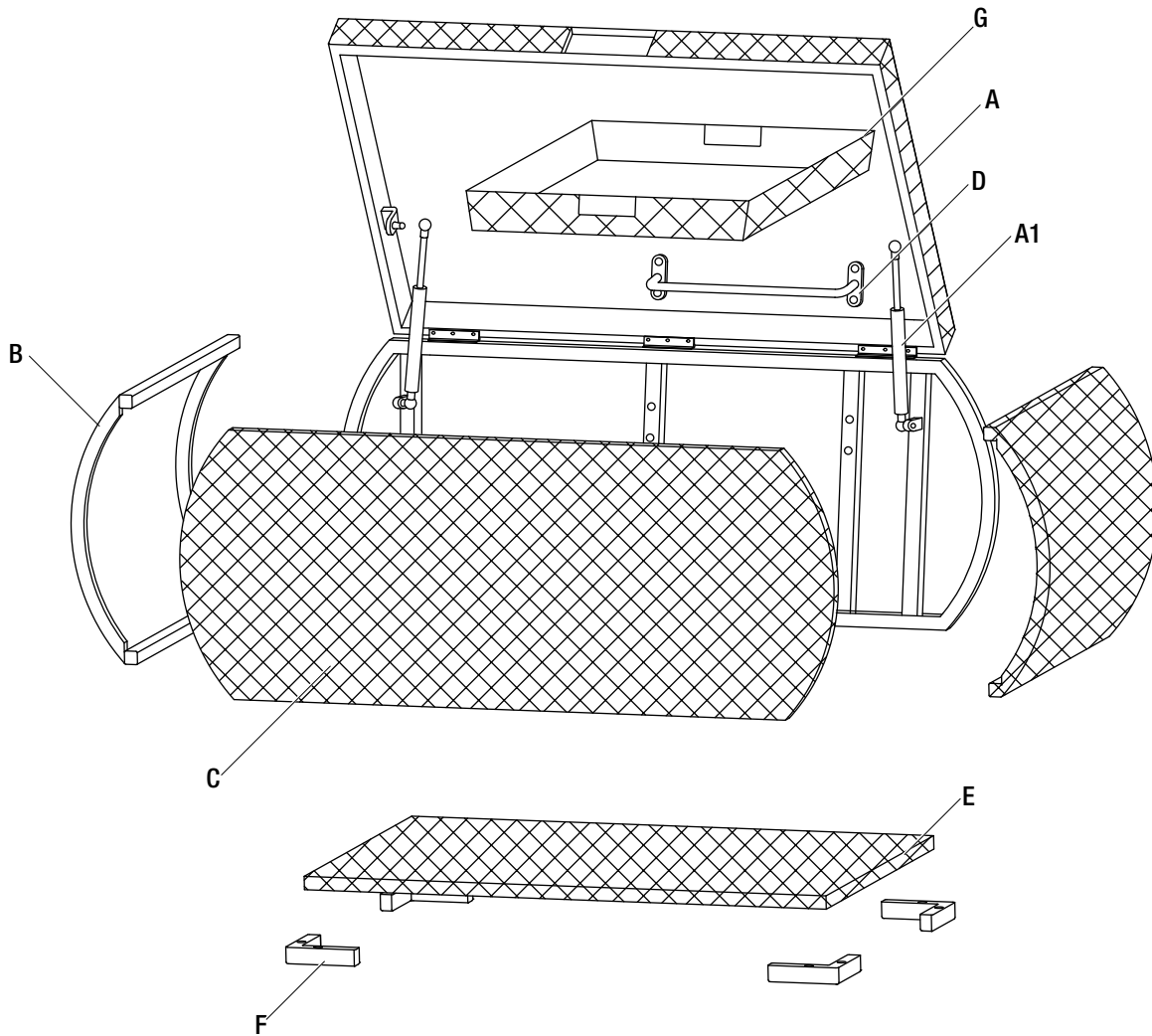
 **NOTE:** Hardware not shown to actual size.



Part	Description	Quantity
AA	M6x20 bolt	8+1
BB	M6x30 bolt	16+1
CC	M6x15 bolt	8+1
DD	M6 washer	32+1
EE	Hex wrench	1

Pre-Assembly (continued)

PACKAGE CONTENTS



Part	Description	Quantity
A	Top plate	1
A1	Gas hinge	2
B	Side plate	2
C	Front plate	1
D	Tray support bar	2
E	Bottom plate	1
F	Adjustable feet	4
G	Tray	1

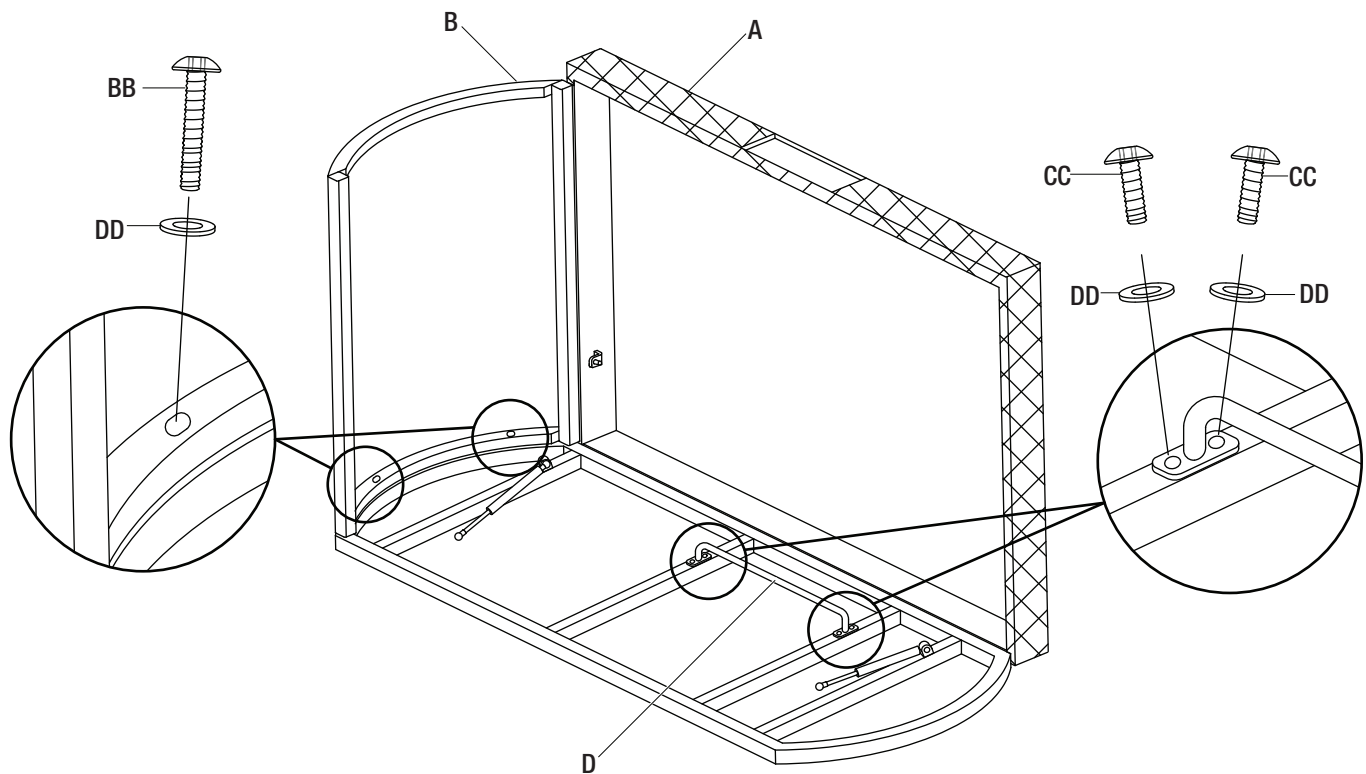
Assembly

1 Attaching the side plate and the tray support bar to the top plate

- Attach the side plate (B) to the top plate (A) using M6x30 bolts (BB) and M6 washers (DD), as shown below.
- Attach the tray support bar (D) to the top plate (A) using M6x15 bolts (CC) and M6 washers (DD), as shown below.



NOTE: Loosely tighten all bolts using the hex wrench (EE).



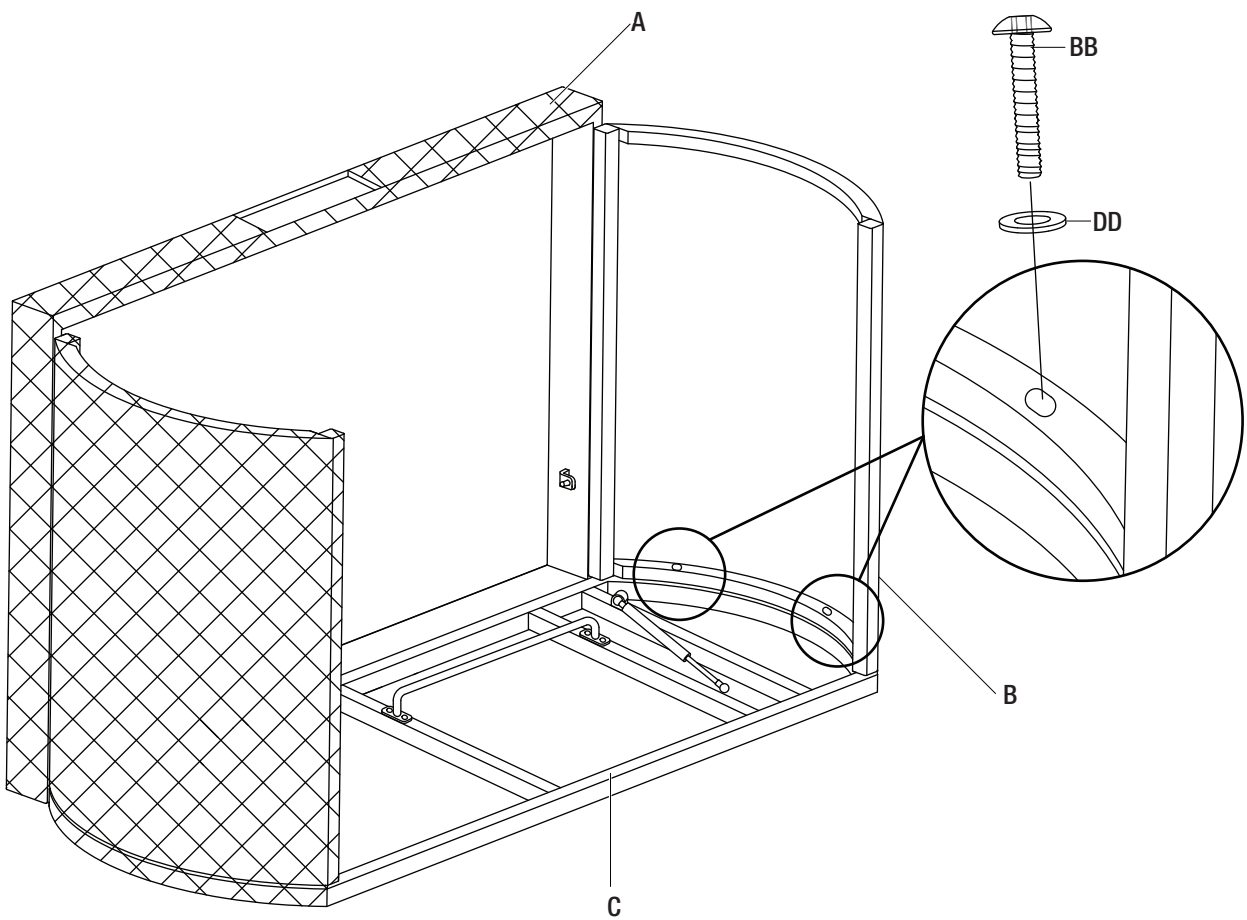
Assembly (continued)

2 Attaching the side plate to the top plate

- Attach the side plate (B) to the top plate (C) using M6x30 bolts (BB) and M6 washers (DD), as shown below.



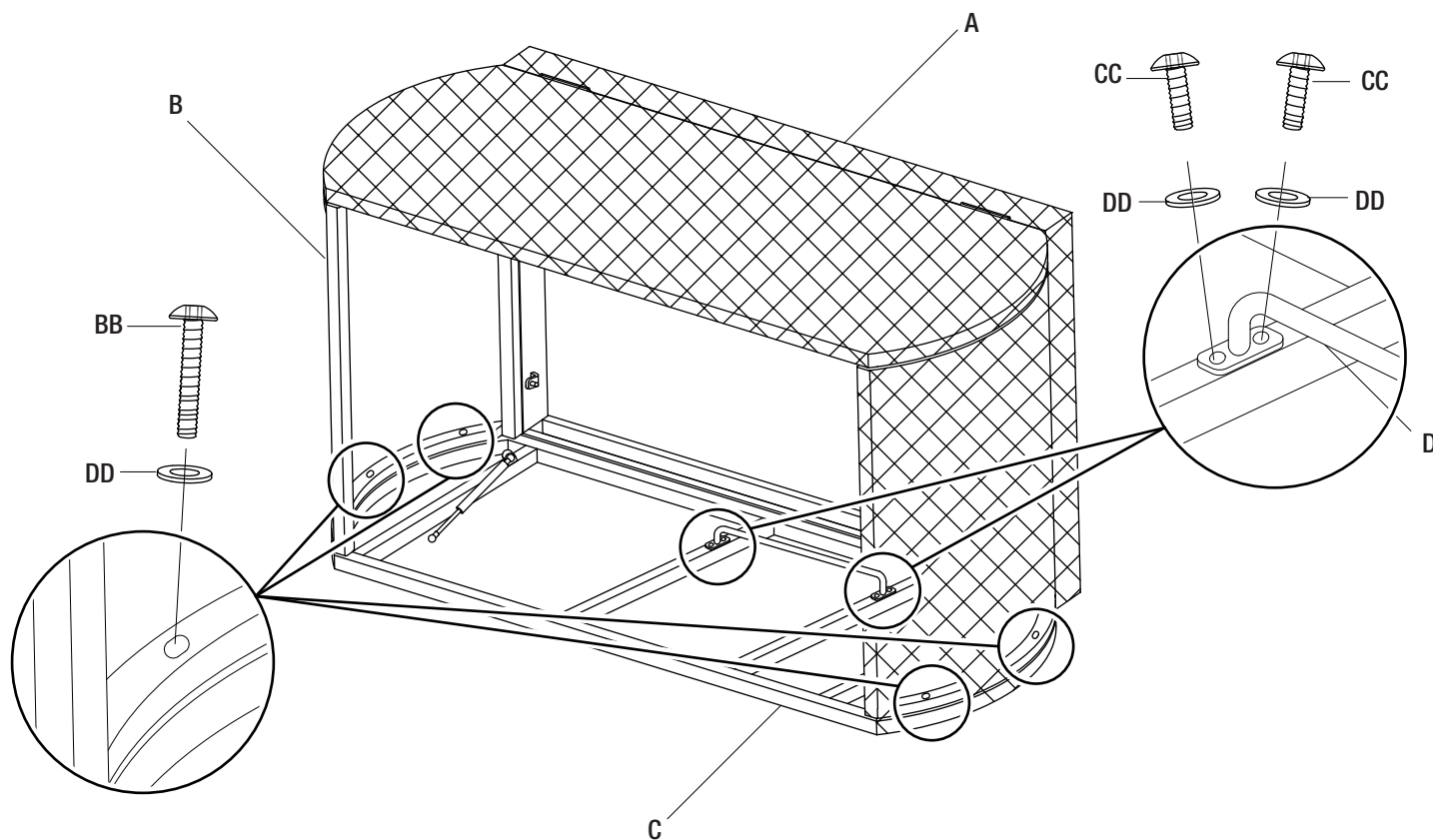
NOTE: Loosely tighten all bolts using the hex wrench (EE).



Assembly (continued)

3 Attaching the side plates and the tray support bar to the front plate

- Attach the side plates (B) to the front plate (C) using M6x30 bolts (BB) and M6 Washers (DD).
- Attach the tray support bar (D) to the front plate (C) using M6x15 bolts (CC) and M6 washers (DD).



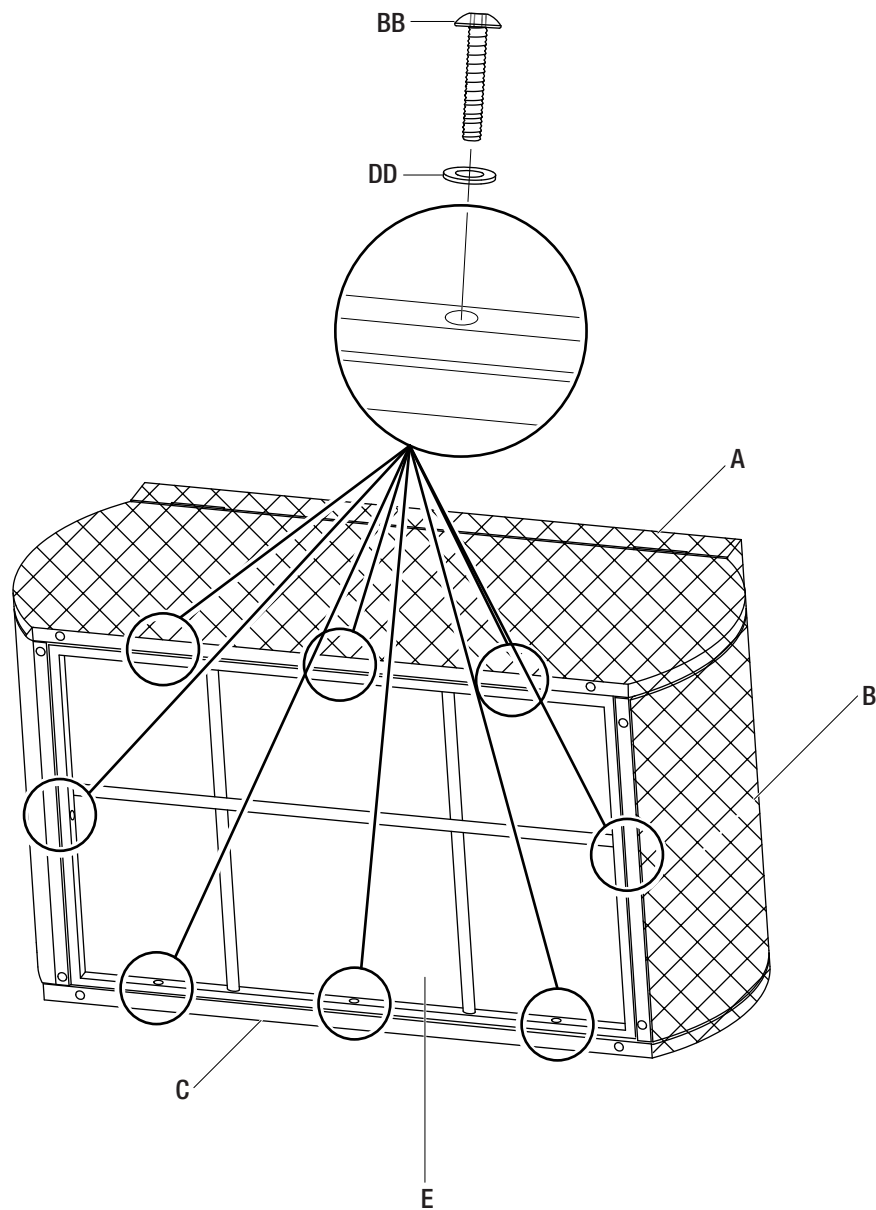
Assembly (continued)

4 Attaching the bottom plate to the side plates, the front plate and the top plate

- Attach the bottom plate (E) to the side plates (B), the front plate (C) and the top plate (A) using M6x30 bolts (BB) and M6 washers (DD).



NOTE: Loosely tighten all bolts using the hex wrench (EE).



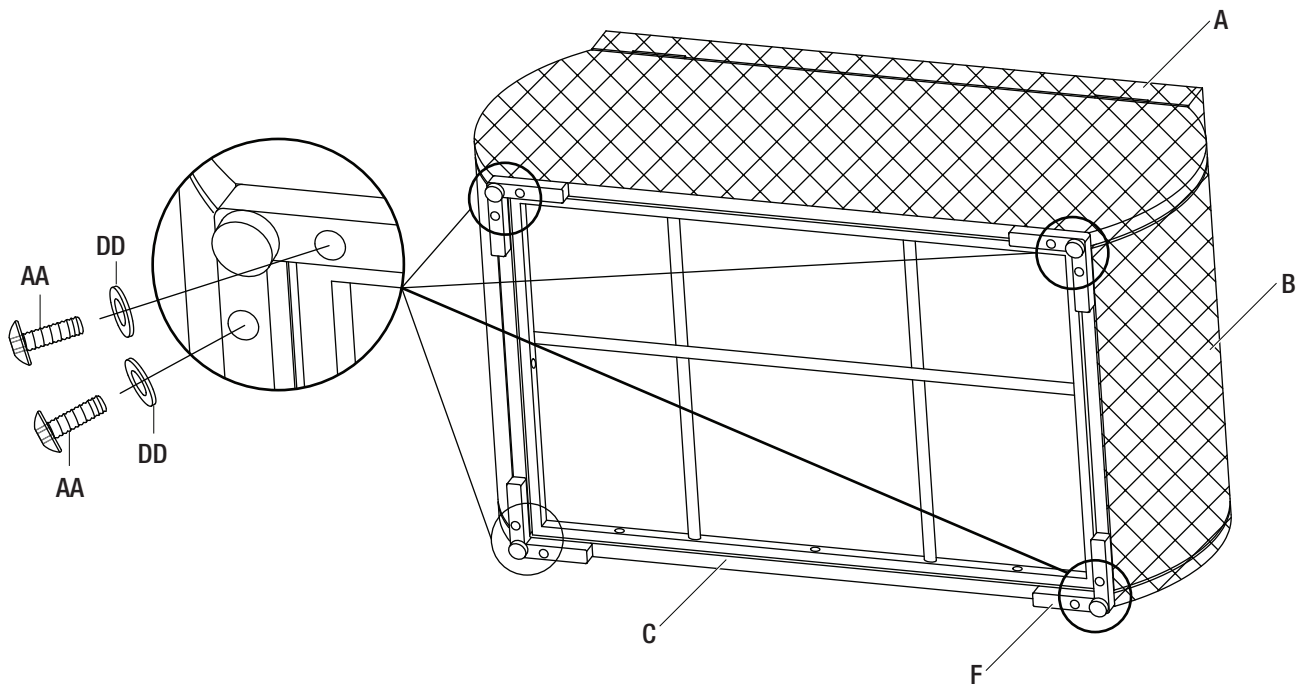
Assembly (continued)

5 Attaching the adjustable feet to the assembled frame

- Attach the adjustable feet (F) to the assembled frame using M6x20 bolts (AA) and M6 washers (DD).



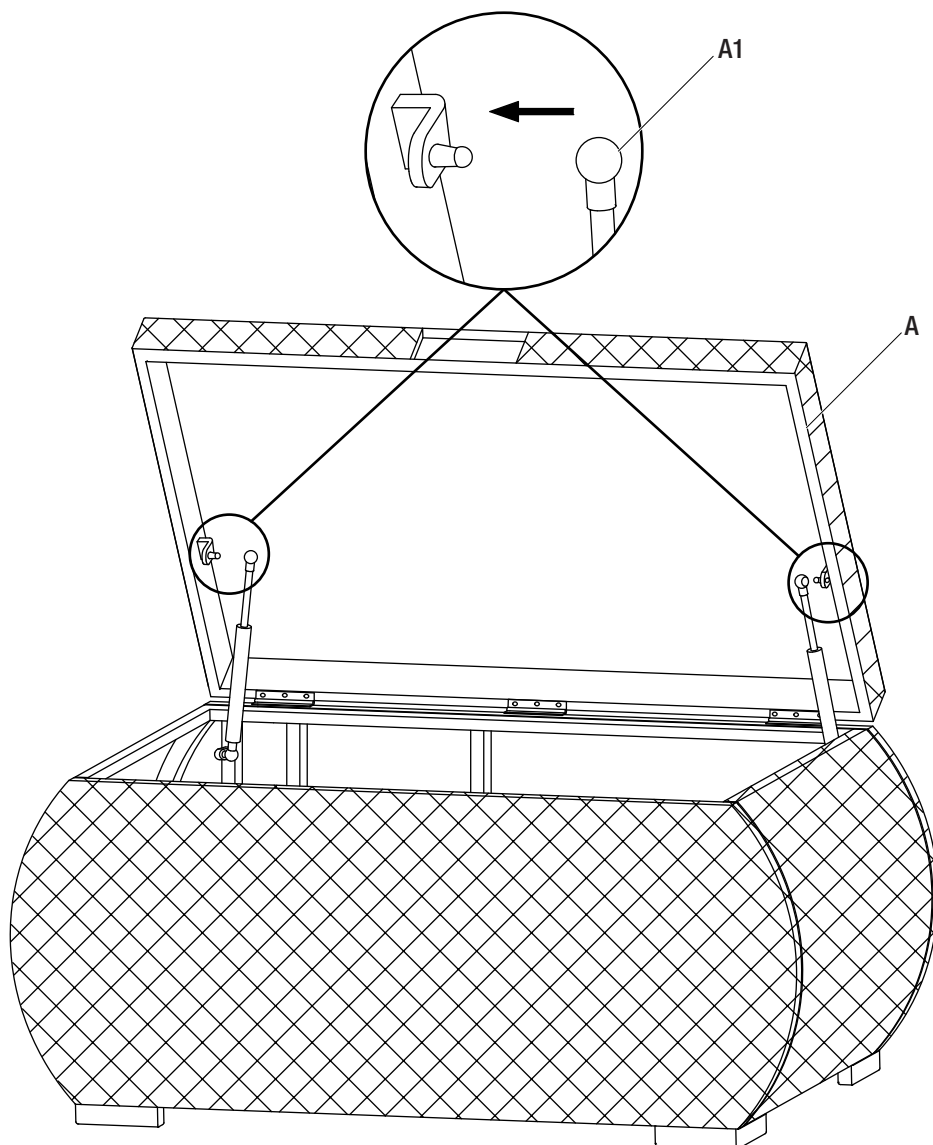
NOTE: Loosely tighten all bolts using the hex wrench (EE).



Assembly (continued)

6 Tightening the bolts and fixing the gas hinges

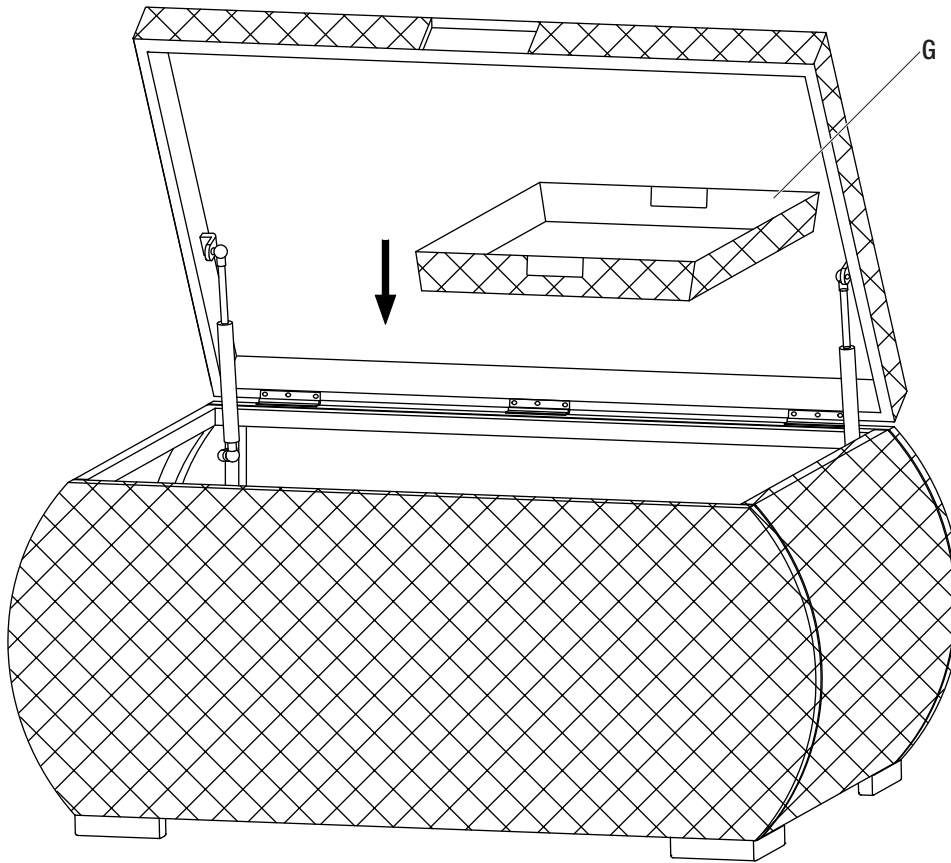
- Once all of the bolts are in place, fully tighten the bolts.
- Turn the coffee table right side up.
- Fix the gas hinges (A1) to the locking pin, as shown below.



Assembly (continued)

7 Placing the tray

- Place the tray (G) onto the tray support bars (D).
- Ensure all connections are secure before use.



Care and Cleaning

- For best results, clean the table with a damp cloth and dry thoroughly. This will help prevent mildew by removing dirt particles that may accumulate.
- Do not clean with abrasive materials, bleach, or solvents.
- Store the coffee table in a dry, sheltered place when not in use.
- Keep the coffee table away from fire, extreme heat, freezing conditions, and inclement weather such as rain, hail, sleet, snow, or wind.



Questions, problems, missing parts? Before returning to the store,
call Hampton Bay Customer Service.
8 a.m. - 7 p.m., EST, Monday - Friday, 9 a.m. - 6 p.m., EST, Saturday

1-855-HD-HAMPTON

HAMPTONBAY.COM

Retain this manual for future use.