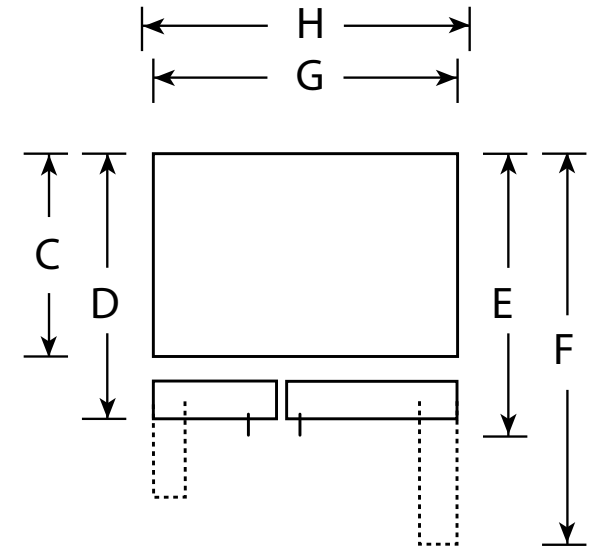
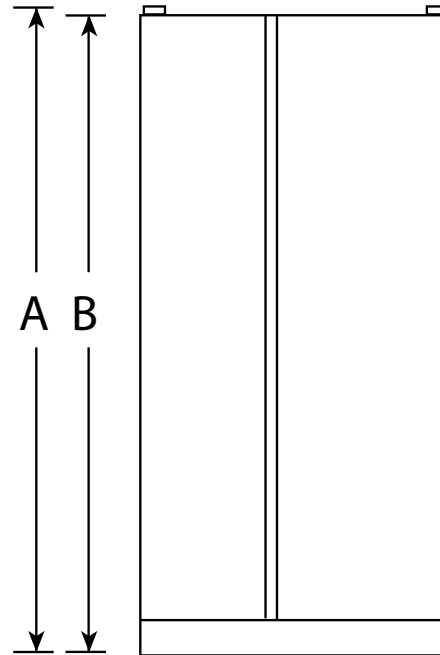


PZS25KSE

GE Profile™ Series 24.6 Cu. Ft. Side-By-Side Refrigerator

Dimensions and Installation Information (in inches)

Overall Dimensions	Height to top of hinge (in.) A	72
	Height to top of case (in.) B	71-1/2
	Case depth without door (in.) C	23-7/8
	Case depth less door handle (in.) D	27-1/8
	Case depth with door handle (in.) E	29-3/4
	Depth with fresh food door open 90° (in.) F	46
	Width (in.) G	35-3/4
	Width with door open 90° inc. door handle (in.) H	41-5/8
Air	Each side (in.)	1/8
	Top (in.)	1
	Back (in.)	2



†Water hook-up fits in back air clearance when calculating installation depth.

If installed against a wall, allow clearance of 13-15/16" on freezer side to remove bin.

Clearance required to remove fresh food full-size pan without disassembling is 18-5/8".

Allow additional space for any necessary leveling adjustments.



imagination at work

For answers to your Monogram® or GE appliance questions, visit our website at geappliances.com or call GE Answer Center® service, 800.626.2000.



Specification Created 6/13

210322

PZS25KSE

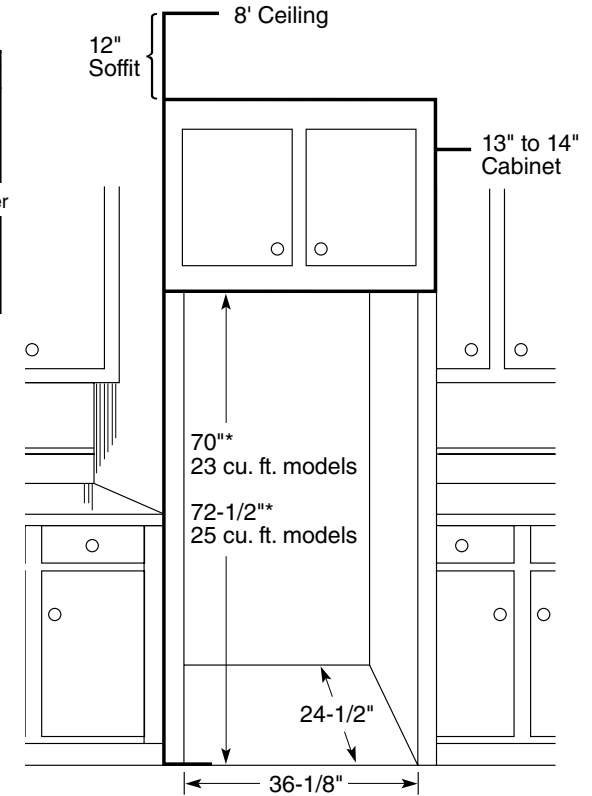
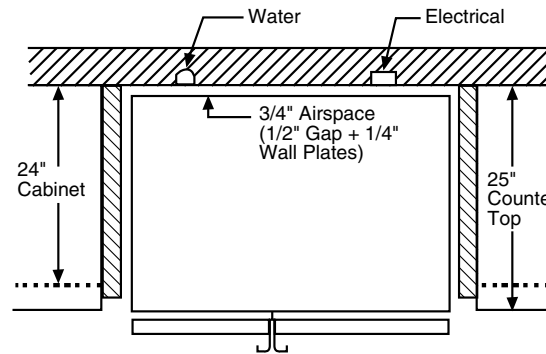
GE Profile™ Series 24.6 Cu. Ft. Side-By-Side Refrigerator

Rough-In Dimensions and Installation Information (in inches)

Installation Tips to Maximize the Built-In Look

- All wall/floor molding should be removed prior to installation.
- Water recess on rear wall recommended to prevent water line damage. 48" minimum length, 1/4" diameter water line tubing recommended.
- When possible, recess both copper water line and electrical outlet. (See local codes)
- Front and rear leveling legs are adjustable for the built-in look. (See owner's manual)

*The rough-in dimensions of 70" for 23 cu. ft. models and 72-1/2" for 25 cu. ft. models are minimum and measured from the finished floor to top of opening (or the underside of the overhead cabinets). For Models with Trim Kit: If frameless style cabinets are planned for above the refrigerator, you may need to consider adding a maximum of 1/4" (70-1/4") to height of opening for 23 cu. ft. models and 1/8" (72-5/8") for 25 cu. ft. models to allow for additional clearance between the cabinet doors and the top of refrigerator trim when the cabinet doors are in open position.



imagination at work

For answers to your Monogram® or GE appliance questions, visit our website at geappliances.com or call GE Answer Center® service, 800.626.2000.



Listed by
Underwriters
Laboratories



Specification Created 6/13

210322

PZS25KSE

GE Profile™ Series 24.6 Cu. Ft. Side-By-Side Refrigerator

Features and Benefits

- Counter-depth design - Offers a built-in look by fitting nearly flush with surrounding cabinetry
- Stainless steel exterior - Adds elegance to any kitchen décor
- Temperature management - Enjoy even cooling throughout the fresh food section
- Quick Ice setting - Create ice up to 50% faster than normal settings
- Turbo Cool setting - Drops interior temperature to maintain freshness after frequent openings
- Multi-level full-extension freezer baskets - Slide well beyond the door for easy access to all your frozen favorites
- Integrated shelf support system - Provides strong, flexible support
- Adjustable Clear Look door bins - Hold gallon containers with ease and free up valuable shelf space
- In-the-door beverage rack - Beverages are chilled and ready without taking up valuable space
- Adjustable slide-out, spillproof glass shelves - Raised edges help contain spills and make clean up quick and easy
- Tilt-out freezer door bins - Rotate forward for convenient access
- Frost Guard technology - Controlled defrosting helps food retain flavor
- Model PZS25KSESS - Stainless steel

