

Rubbermaid®

5H80

Congratulations and thank you for the purchase of your Rubbermaid Big Max storage building. Before you begin assembly please be sure to check your local building codes, ordinances and restrictions, and applicable neighborhood governances.

BEFORE YOU BEGIN – SURFACE PREPARATION

To ensure proper assembly and performance your shed needs to be built on a solid, level surface. A cement or patio surface, or a treated-wood platform is recommended.

BEFORE YOU BEGIN – LOCATION

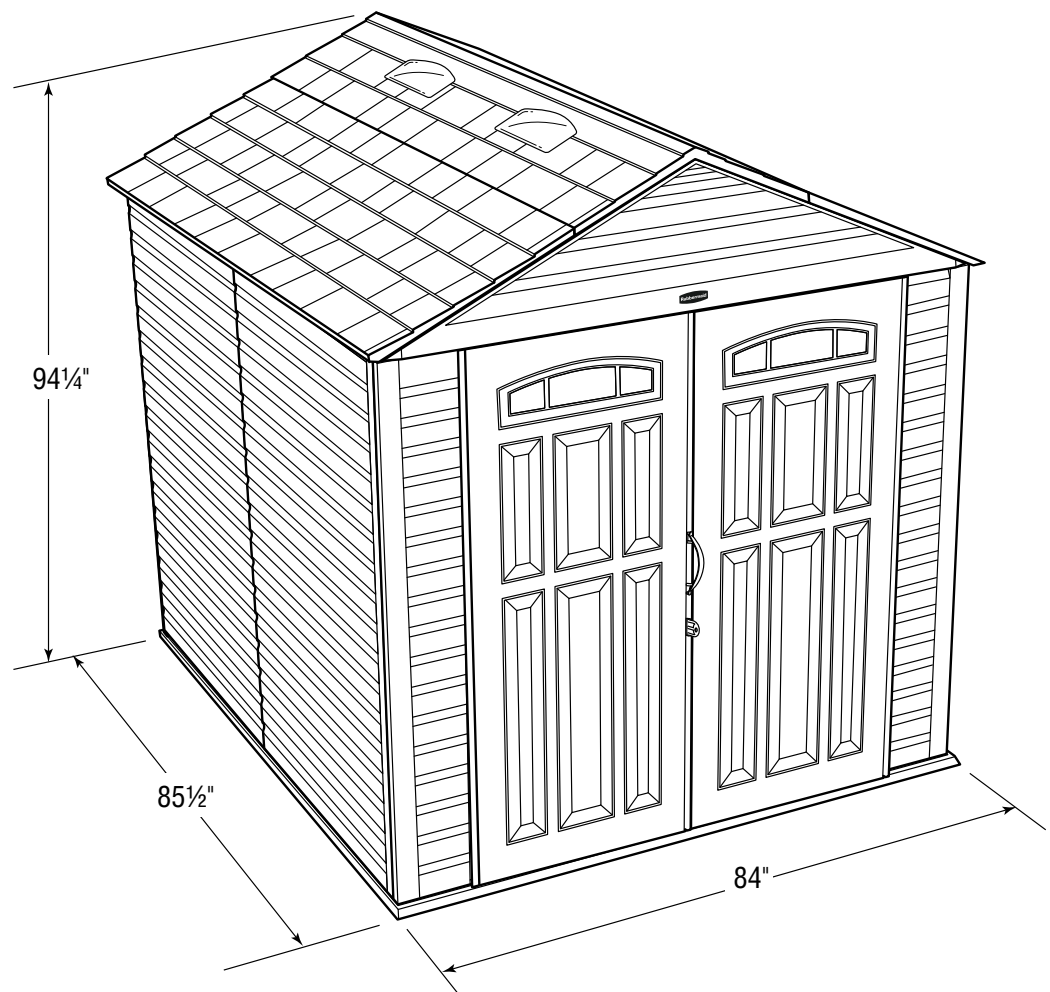
When choosing a location in your yard make sure you choose an area with easy access and one that provides proper drainage for water to run away from the shed location.

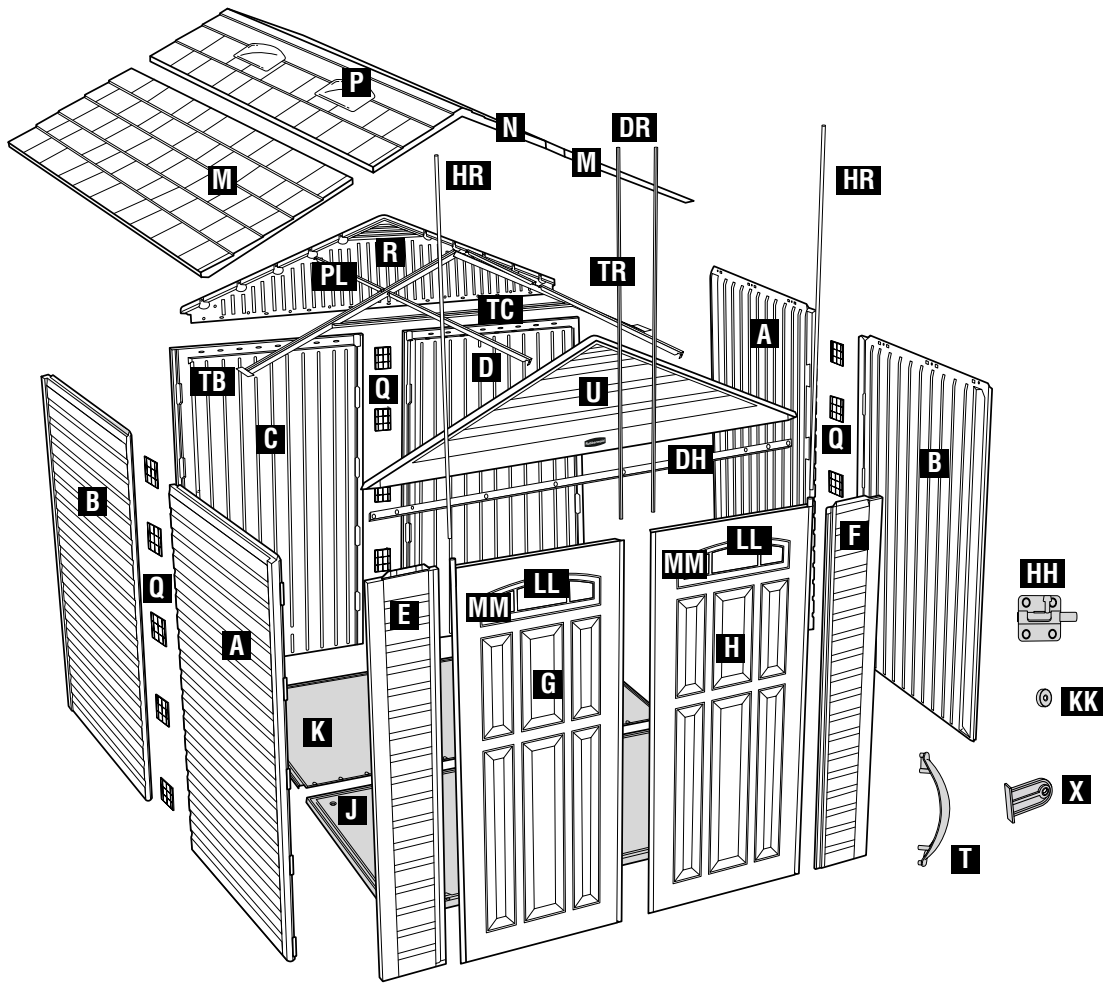
Prior to beginning the assembly please complete the following items:

- Thoroughly review all assembly steps (it is important that the steps are followed in the correct order)
- Review the parts list and make sure that no parts are missing

IMPORTANT – DO NOT RETURN TO THE STORE

For assistance with your Big Max Storage Building or for additional product information call our toll-free Consumer Service number: 1-888-895-2110, or visit us online at www.rubbermaid.com.



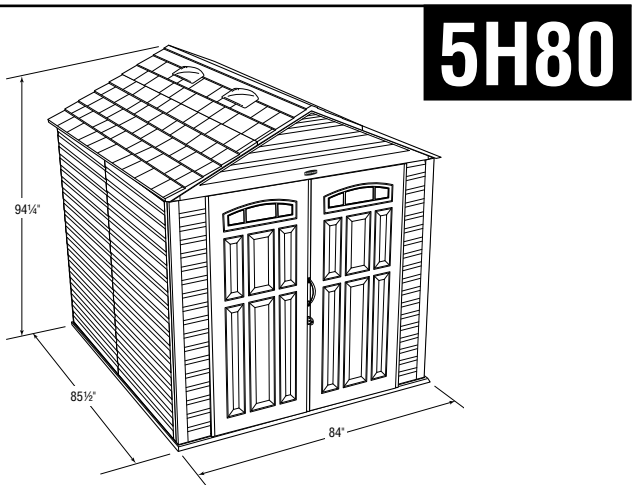


	Description	Assembly Letter	Quantity
Floor	Front Floor	J	1
	Back Floor	K	1
Walls	Side Panel "A"	A	2
	Side Panel "B"	B	2
	Left Back Panel	C	1
	Right Back Panel	D	1
	Left Front Panel	E	1
	Right Front Panel	F	1
	Wall Connector	Q	15
Doors	Left Door Panel	G	1
	Right Door Panel	H	1
	Door Reinforcement	DR	2
	Hinge Reinforcement	HR	2
	Door Window	LL	2
	Gasket for Door Window	MM	2
	Lock Hasp	X	1
	Door Handle	T	1
	Door Magnet	KK	2
Barrel Bolt	HH	2	
Roof	Lower Roof Panel – 7'	M	2
	Upper Roof Panel – Underlap – 7'	N	1
	Upper Roof Panel – Overlap – 7'	P	1
	Front Gable	U	1
	Back Gable	R	1
	Skylight	L	4
	Gasket for Skylight		4
	Door Header Support	DH	1
	Truss Rafter	TR	2
	Truss Collar Tie	TC	1
	Truss Bracket	TB	2
Purlin	PL	4	
Hardware	#14 x 3/4" Combo Pan Head Screw	AA	138
	#8 x 1/2" Combo Pan Head Screw	BB	22
	#8 SAE Flat Washer	CC	22
	1/4-20 x 1.0" Hex Bolt	DD	11
	1/4-20 Hex Nylon Lock Nut	EE	11
	Roof Pin	FF	6
	Roof Pin Assembly Tool	GG	1

Required Tools

- Safety Glasses
- Gloves
- Utility Knife
- Rubber Mallet
- Phillips Screwdriver
- Drill
- Liquid Soap
- (2) Step Stools/Stepladders

Two Person Assembly



BIG MAX
7' x 7' RESIN STORAGE BUILDING ASSEMBLY

Preassembly:

- Review ALL assembly steps before beginning construction.
- Review the parts list and make sure that no parts are missing.

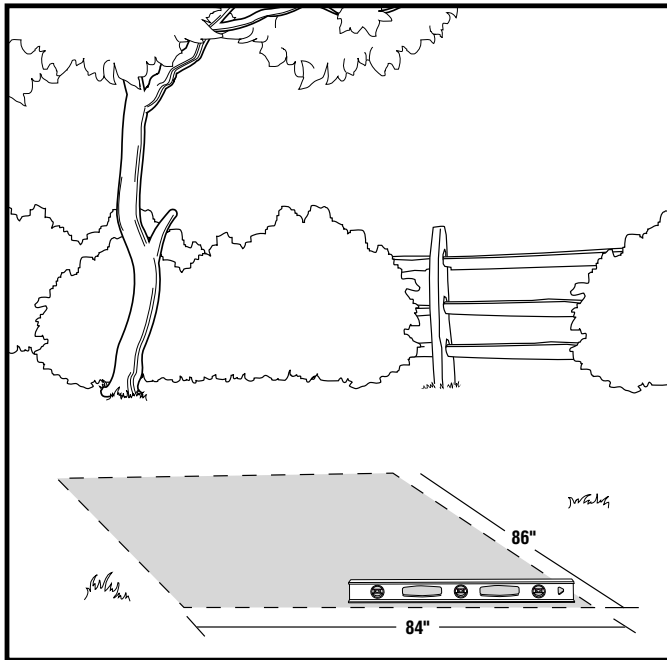
NOTE:

- To simplify assembly and to ensure proper engagement of all components, apply a mild detergent to dovetail and snap fits before assembling.

1

Build a solid, level surface for the shed foundation; minimum foundation dimensions are shown. Consult your local building authority for ordinances or restrictions before building any structure at your home.

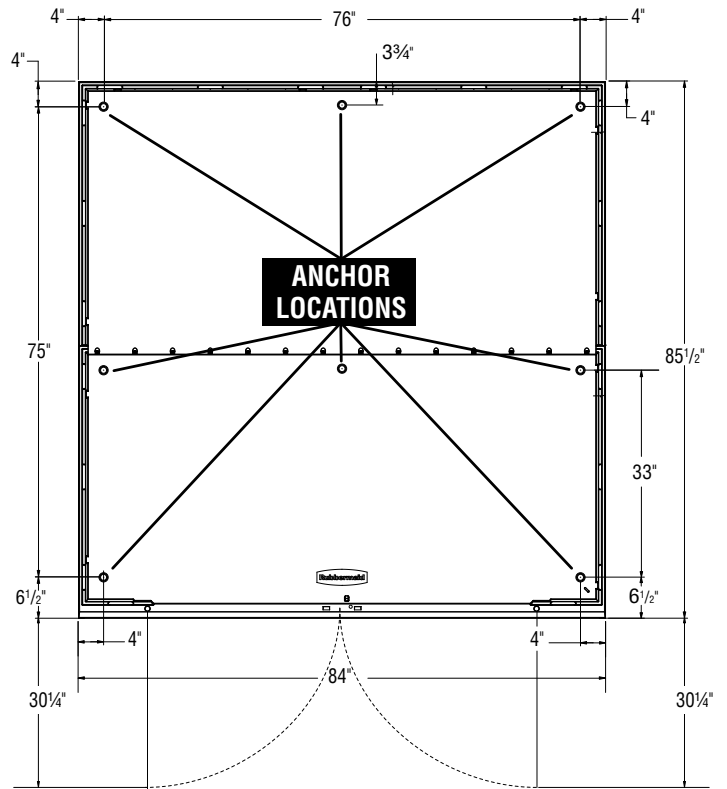
Note:
Minimum dimensions for foundations shown.

**FLOOR PLAN:**

Size the construction site to fit the entire floor.

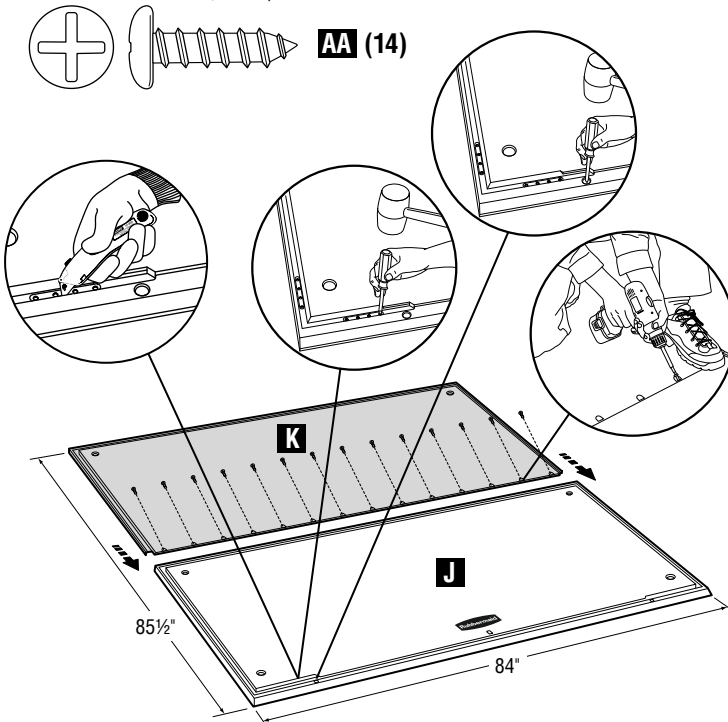
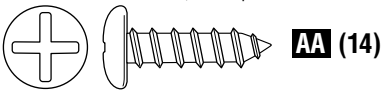
OPTIONAL STEP:

If desired, recessed anchor locations (8 places) can be used to anchor the shed floor to a foundation after Step 2.

**2**

Place the **Front Floor (J)** on the foundation. Connect **Front Floor (J)** to **Back Floor (K)**, install **Screws (AA)** 14 places. Using a screwdriver, knock out the tabs for the door hinge 2 places on **Front Floor (J)**. Using a utility knife, cut the long sides of each wall slot tab and then use a screwdriver to knock it out 8 places on **Front Floor (J)** and 12 places on **Back Floor (K)**.

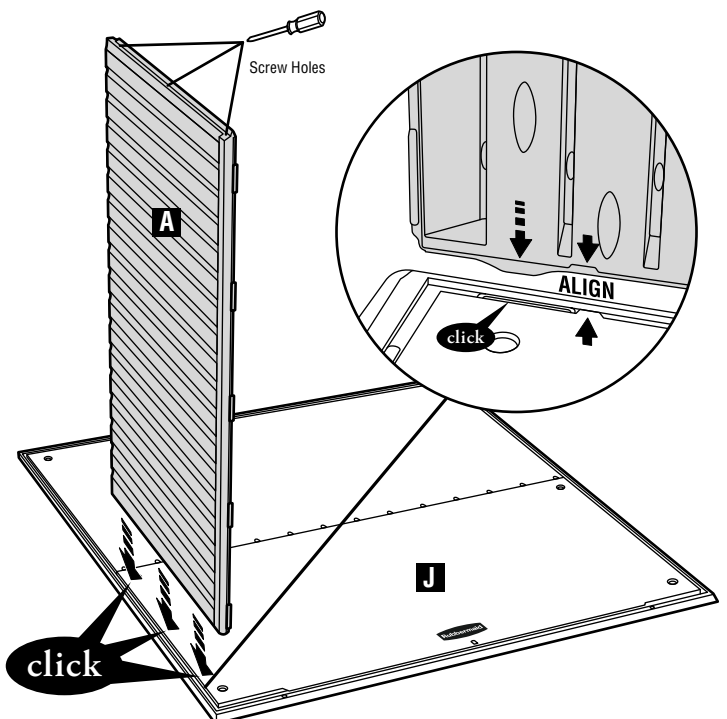
Optional Step:
If desired, recessed anchor locations (8 places) can be used to secure the Floor to the Foundation, see Step 1.



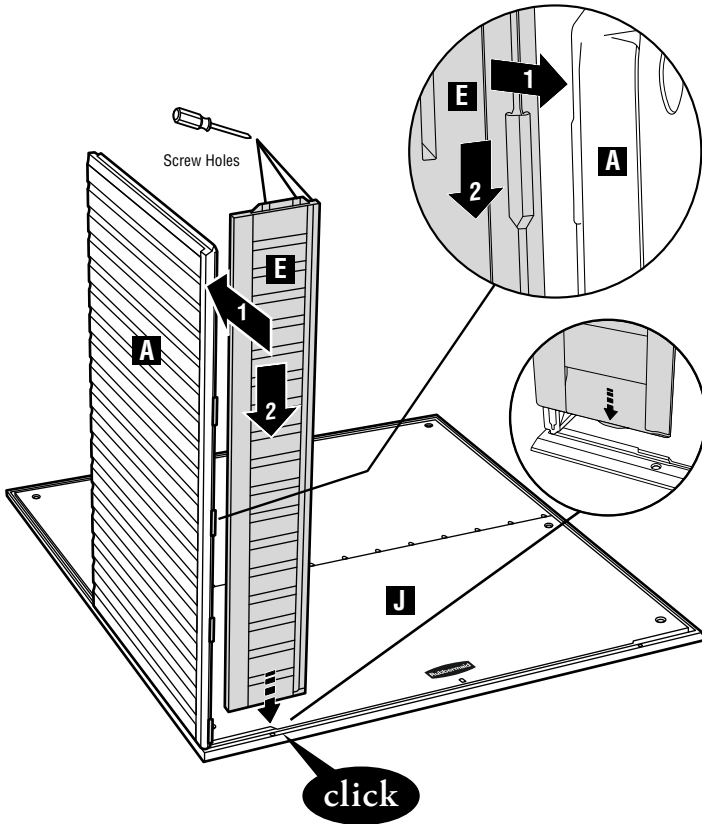
Caution: When installing screws, do not overtighten.
Caution: Always use gloves when using the utility knife.

3

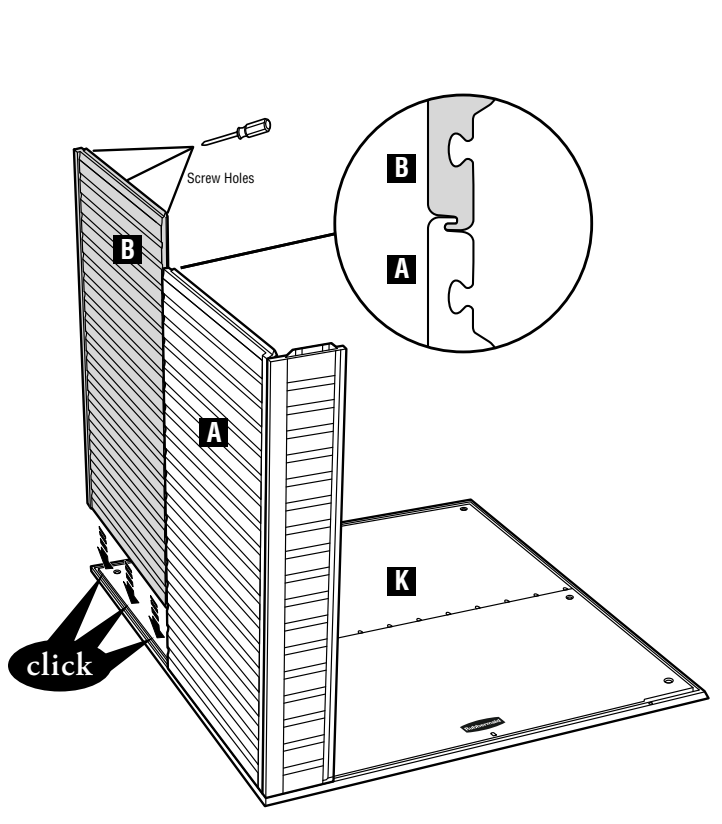
Using a screwdriver, punch out the screw holes on the top of **Side Panel (A)** 3 places. Snap **Side Panel (A)** into **Front Floor (J)**. Hold **Side Panel (A)** to prevent it from falling.



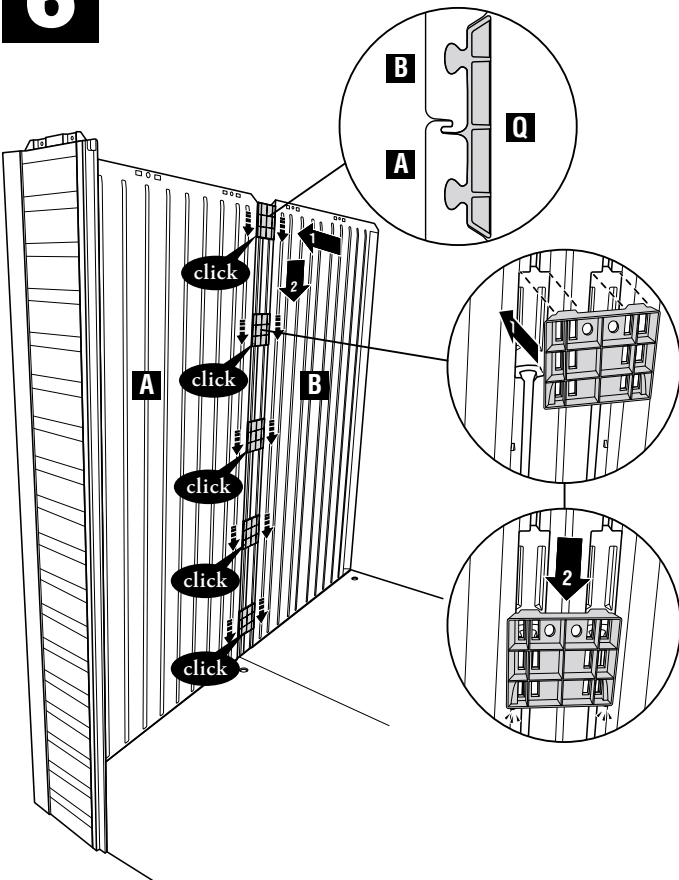
4 Using a screwdriver, punch out the screw holes on the top of **Left Front Panel (E)** 3 places. Lubricate dovetails on **Side Panel (A)** 5 places with liquid soap. Connect **Left Front Panel (E)** onto dovetails of **Side Panel (A)**. Engage snap on bottom of **Left Front Panel (E)** into **Front Floor (J)**.



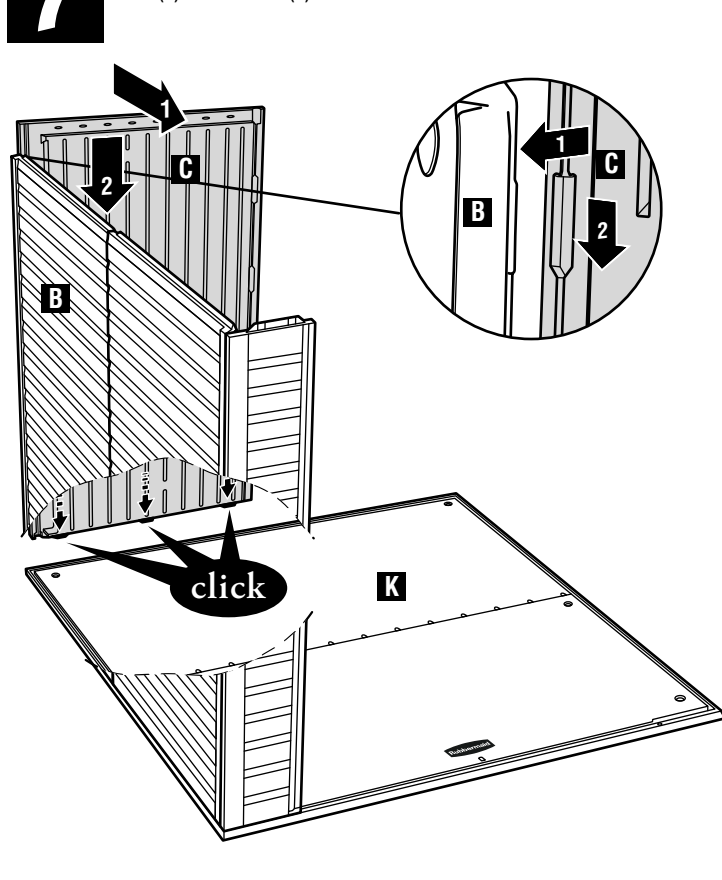
5 Using a screwdriver, punch out the screw holes on the top of **Side Panel (B)** 3 places. Align the lap joint between **Side Panel (A)** and **Side Panel (B)**. Snap **Side Panel (B)** into **Back Floor (K)**.



6 Install **Wall Connector (Q)** 5 places.

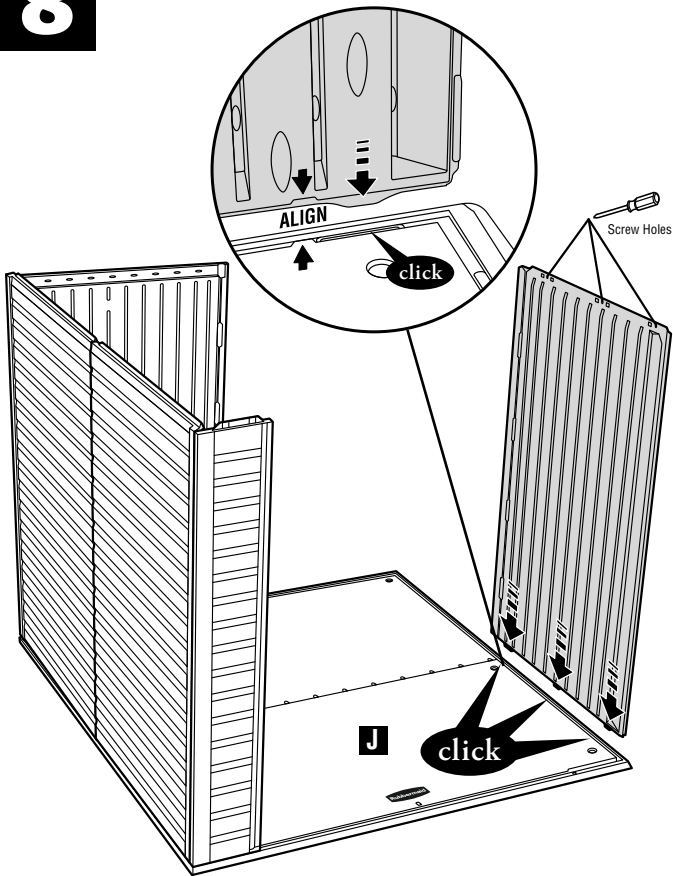


7 Lubricate dovetails on **Side Panel (B)** 5 places with liquid soap. Connect **Left Back Panel (C)** onto dovetails of **Side Panel (B)**. Engage snaps on bottom of **Left Back Panel (C)** into **Back Floor (K)**.

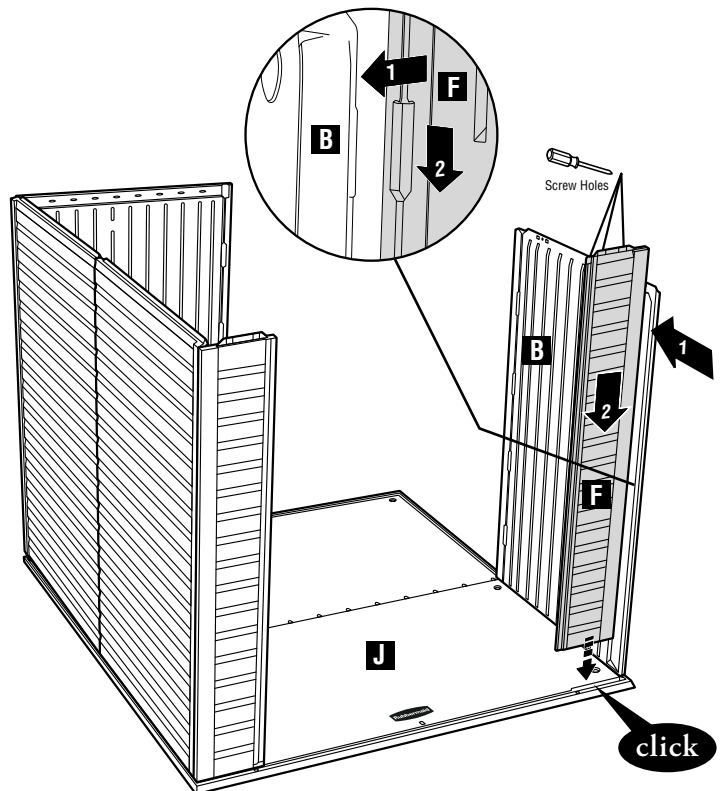


8

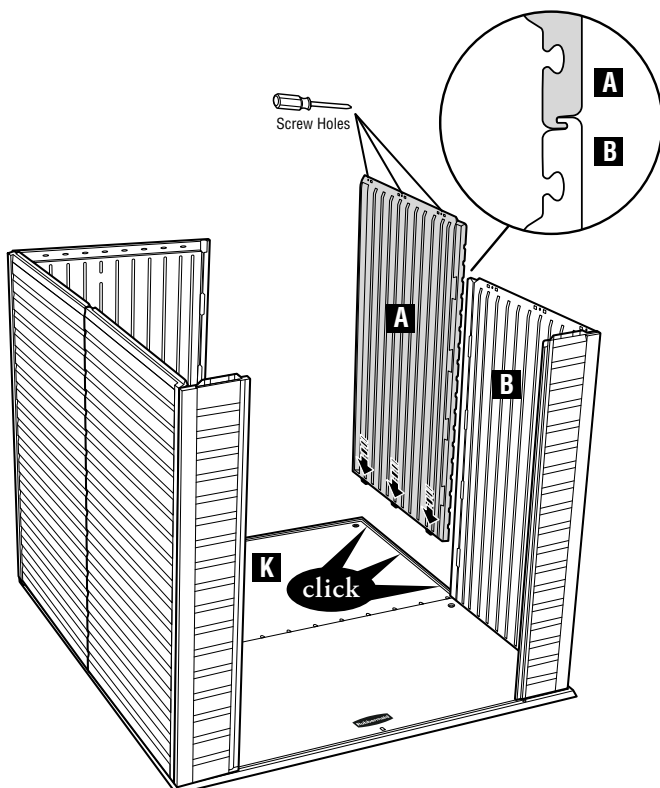
Using a screwdriver, punch out the screw holes on the top of **Side Panel (B)** 3 places. Snap **Side Panel (B)** into **Front Floor (J)**. Hold **Side Panel (B)** to prevent it from falling.

**9**

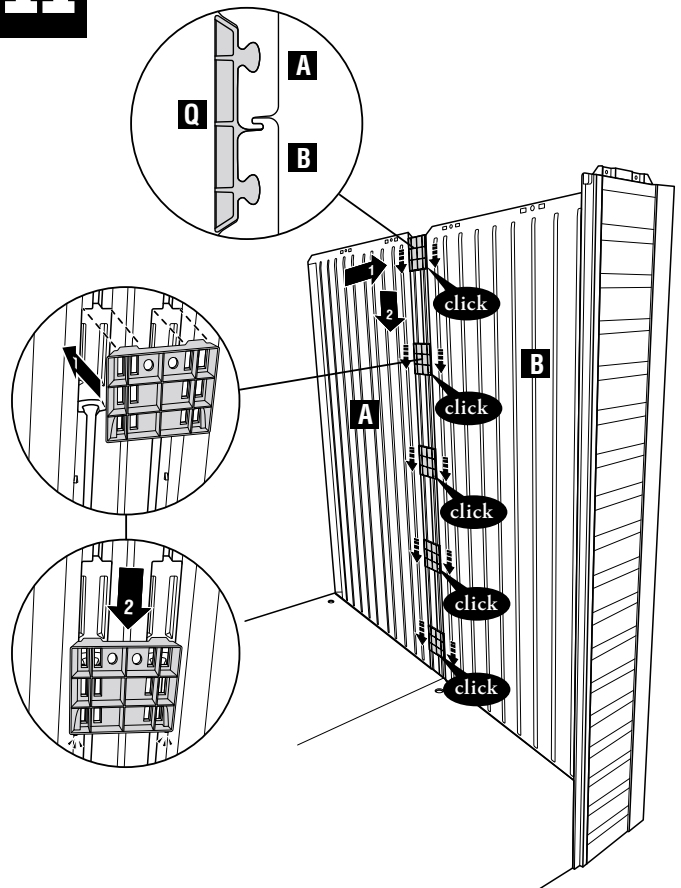
Using a screwdriver, punch out the screw holes on the top of **Right Front Panel (F)** 3 places. Lubricate dovetails on **Side Panel (B)** 5 places with liquid soap. Connect **Right Front Panel (F)** onto dovetails of **Side Panel (B)**. Engage snap on bottom of **Right Front Panel (F)** into **Front Floor (J)**.

**10**

Using a screwdriver, punch out the screw holes on the top of **Side Panel (A)** 3 places. Align the lap joint between **Side Panel (A)** and **Side Panel (B)**. Snap **Side Panel (A)** into **Back Floor (K)**.

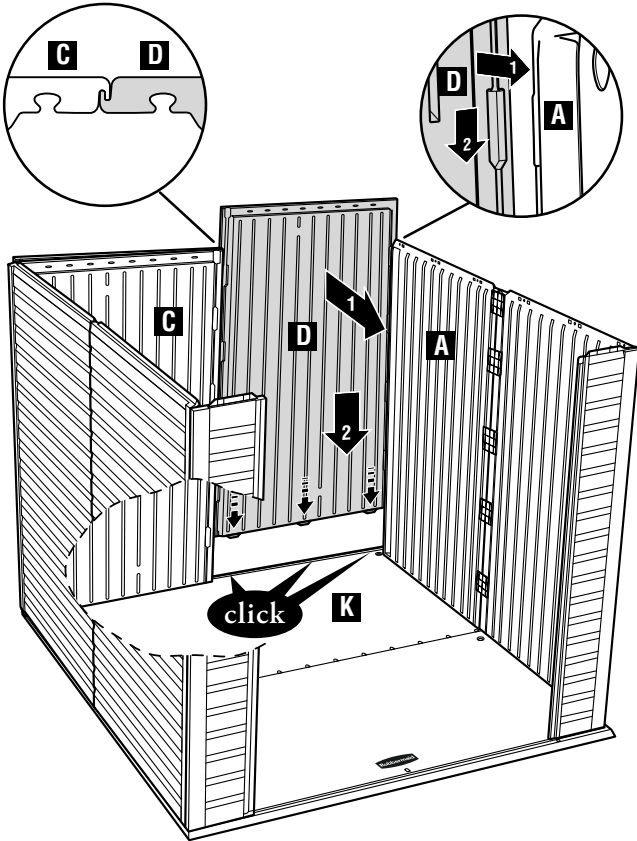
**11**

Install **Wall Connector (Q)** 5 places.



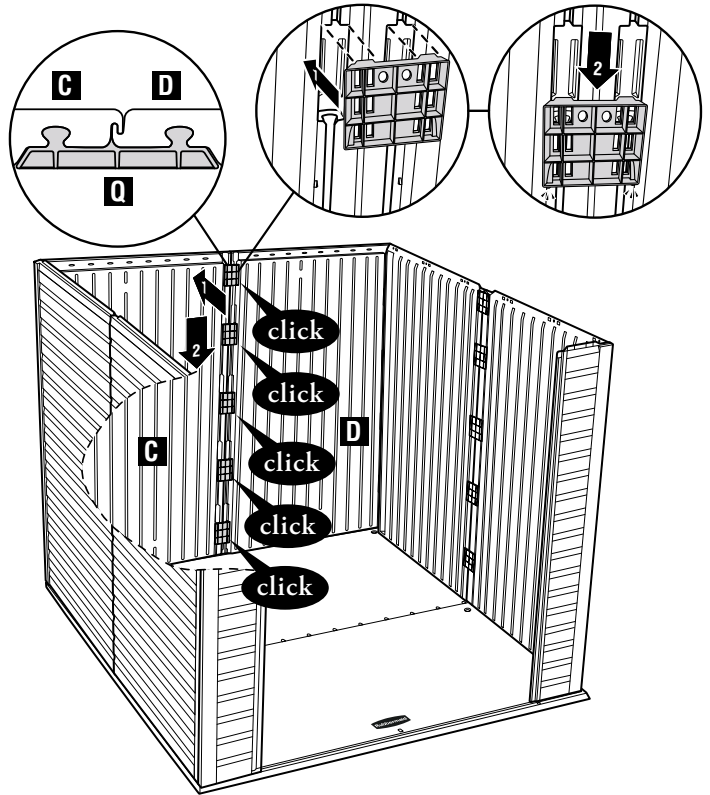
12

Lubricate dovetails on **Side Panel (A)** 5 places with liquid soap. Connect **Right Back Panel (D)** onto dovetails of **Side Panel (A)**. Align the lap joint between **Left Back Panel (C)** and **Right Back Panel (D)**. Snap **Right Back Panel (D)** into **Back Floor (K)**.



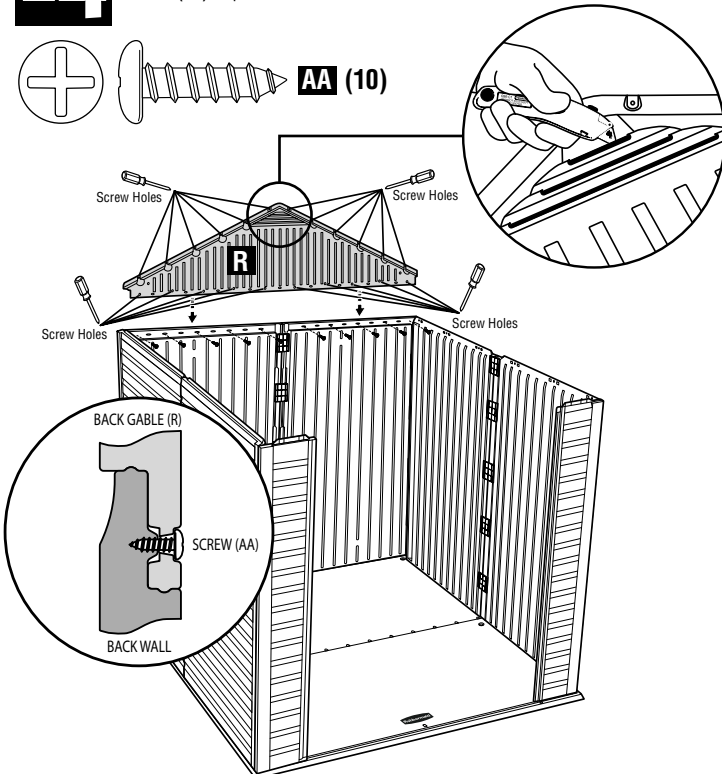
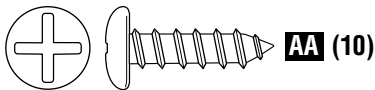
13

Install **Wall Connector (Q)** 5 places.



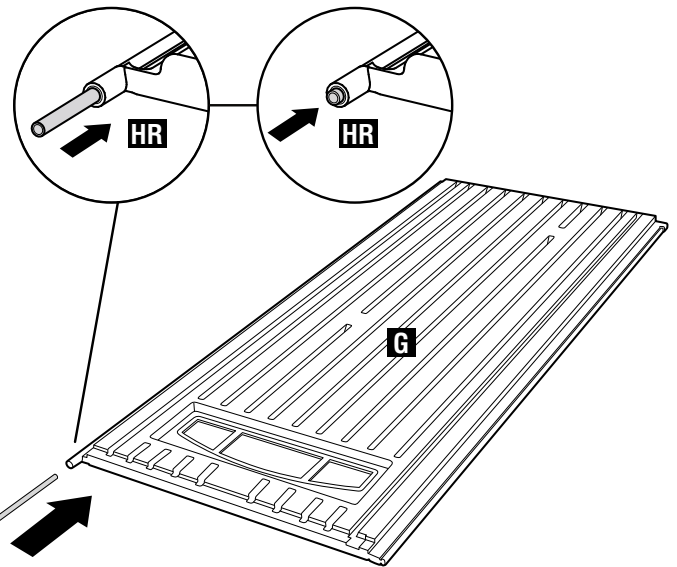
14

Using a screwdriver, punch out the screw holes around the perimeter of **Back Gable (R)** 22 places. If venting is desired, use the utility knife to cut out vent slots 3 places from inside of gable before assembly. Connect **Back Gable (R)** onto the back wall, install **Screws (AA)** 10 places.



15

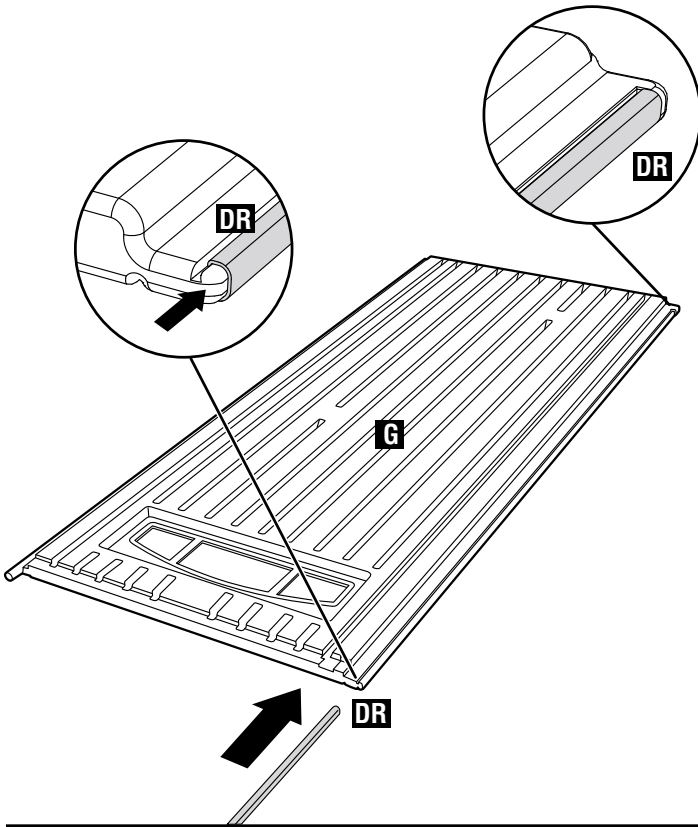
Set the **Left Door Panel (G)** face down. Slide the **Hinge Reinforcement (HR)** into the hole on the top door pin. The **Hinge Reinforcement (HR)** will slide in until it is 1/8" above the end of the door pin.



Caution: When installing screws, do not overtighten.
Caution: Make sure the screws hit the targets on the back wall panels.
Caution: Always use gloves when using the utility knife.

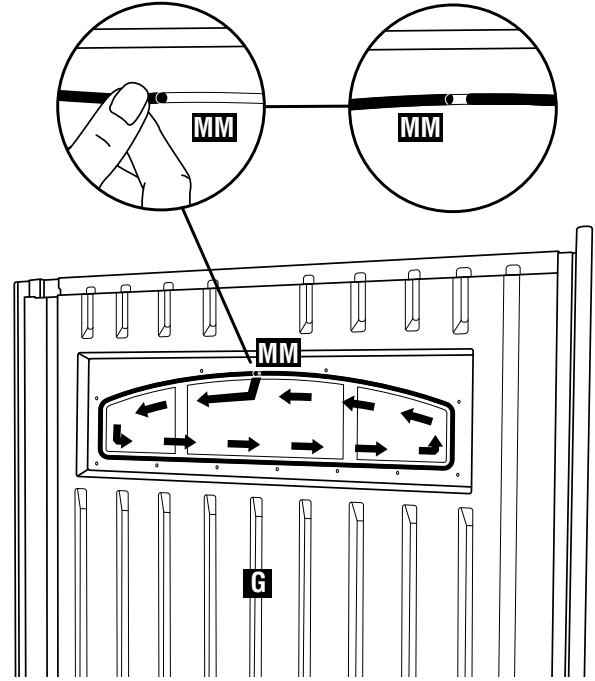
16

Lubricate the inside of the **Door Reinforcement (DR)** along the full length with liquid soap. Starting at the top of the door, slide the **Door Reinforcement (DR)** onto the groove located on the handle side of the door. The **Door Reinforcement (DR)** will slide to the stop at the bottom of the door.



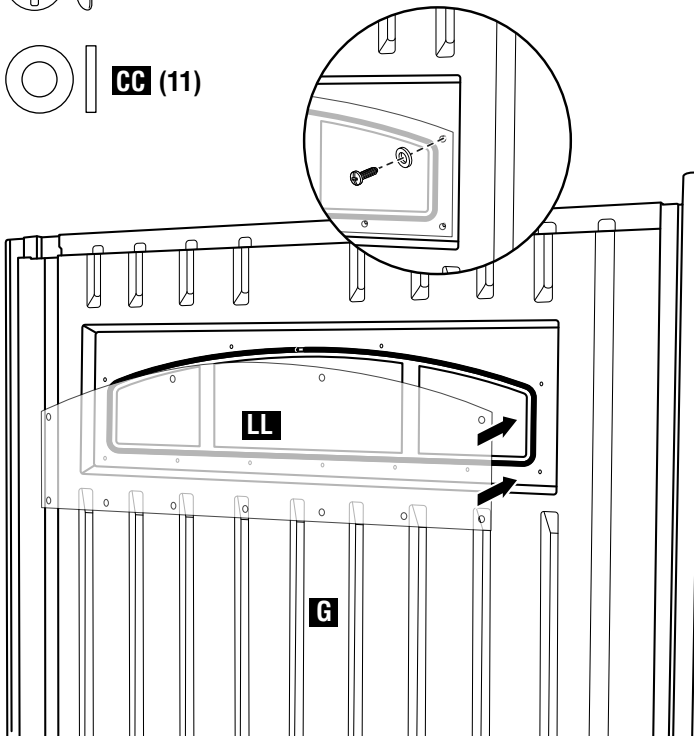
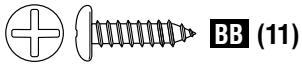
17

Install the **Gasket (MM)** into the gasket groove in the door. Start at the top and middle by pushing the gasket into the groove. Continue until the **Gasket (MM)** is fully installed. There will be a small gap between the ends of the gasket.



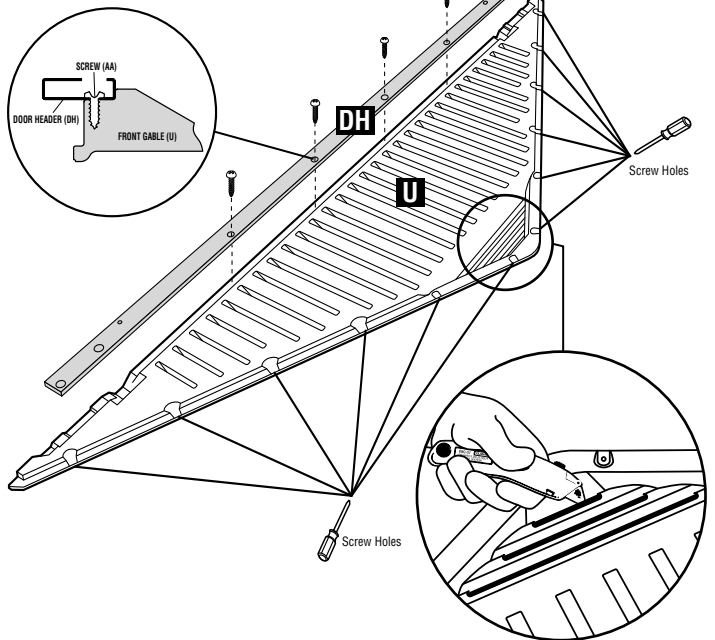
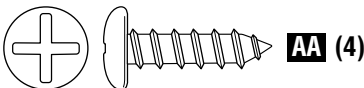
18

Peel off the protective paper from **Window (LL)**. Install **Window (LL)** onto the door by matching up the holes and installing the **Screws (BB)** and **Washers (CC)** 11 places. The "frosted" side of the window should be touching the gasket. Start all screws before tightening any of them down. Make sure the window is free to move until all screws have been started. Repeat steps 15-18 for **Right Door Panel (H)**.



19

Using a screwdriver, punch out the screw holes around the perimeter of **Front Gable (U)** 12 places. If venting is desired, use the utility knife to cut out vent slots 3 places from inside of gable before assembly. Fasten the **Door Header (DH)** to the bottom of the **Front Gable (U)** using **Screw (AA)** 4 places.



Caution: Tighten screws only enough to compress gasket. Do not overtighten.

Caution: When installing screws, do not overtighten.
Caution: Always use gloves when using the utility knife.

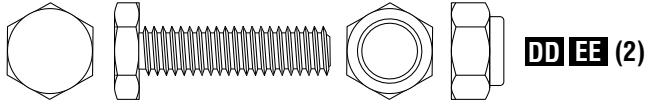
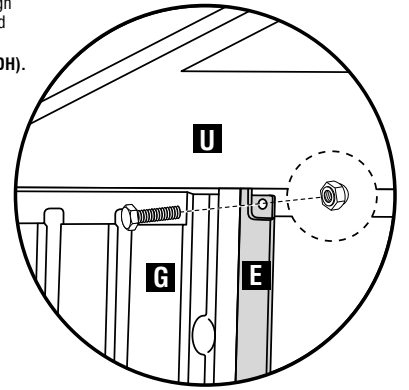
20

One person MUST hold onto the **Front Gable (U)** during this entire step. Set the **Front Gable (U)** onto the front wall panels.

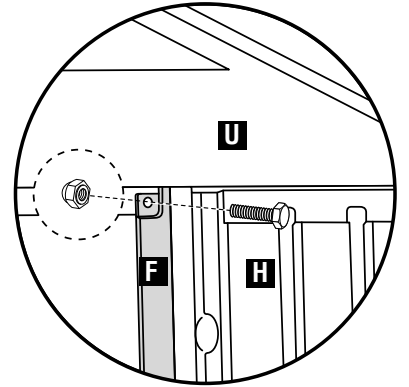
Install **Left Door Panel (G)** by inserting the lower hinge pin into the hole in **Front Floor (J)**. Lift the left end of the **Front Gable (U)** enough to insert the top hinge pin on **Left Door Panel (G)** into the **Front Gable (U)** channel. Close **Left Door Panel (G)**.

Install **Right Door Panel (H)** by inserting the lower hinge pin into the hole in **Front Floor (J)**. Lift the right end of the **Front Gable (U)** enough to insert the top hinge pin on **Right Door Panel (H)** into the **Front Gable (U)** channel. With **Right Door Panel (H)** open, install **Bolt (DD)** and **Nut (EE)** connecting **Right Front Panel (F)** and **Door Header (DH)**.

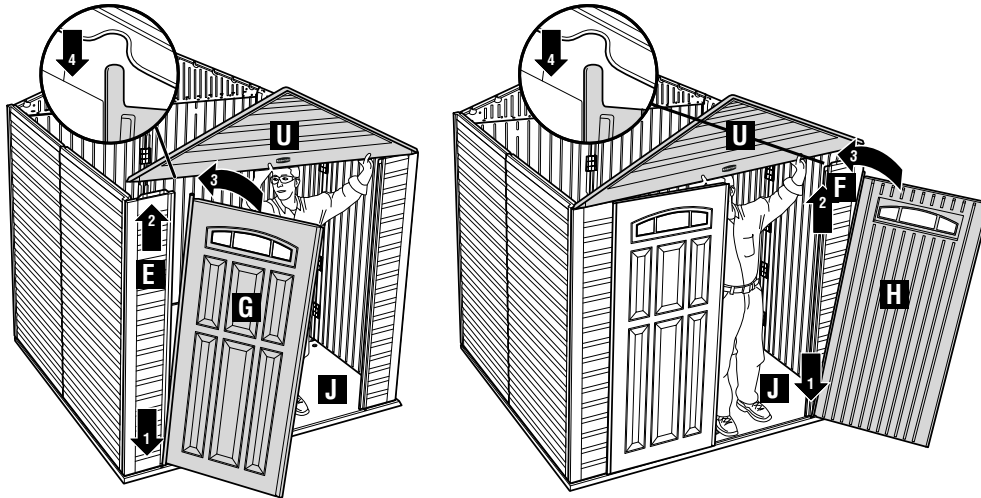
Open **Left Door Panel (G)**. Close **Right Door Panel (H)**. Install **Bolt (DD)** and **Nut (EE)** connecting **Left Front Panel (E)** and **Door Header (DH)**.

**DD EE (2)**

OUTSIDE VIEW LEFT SIDE



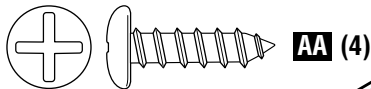
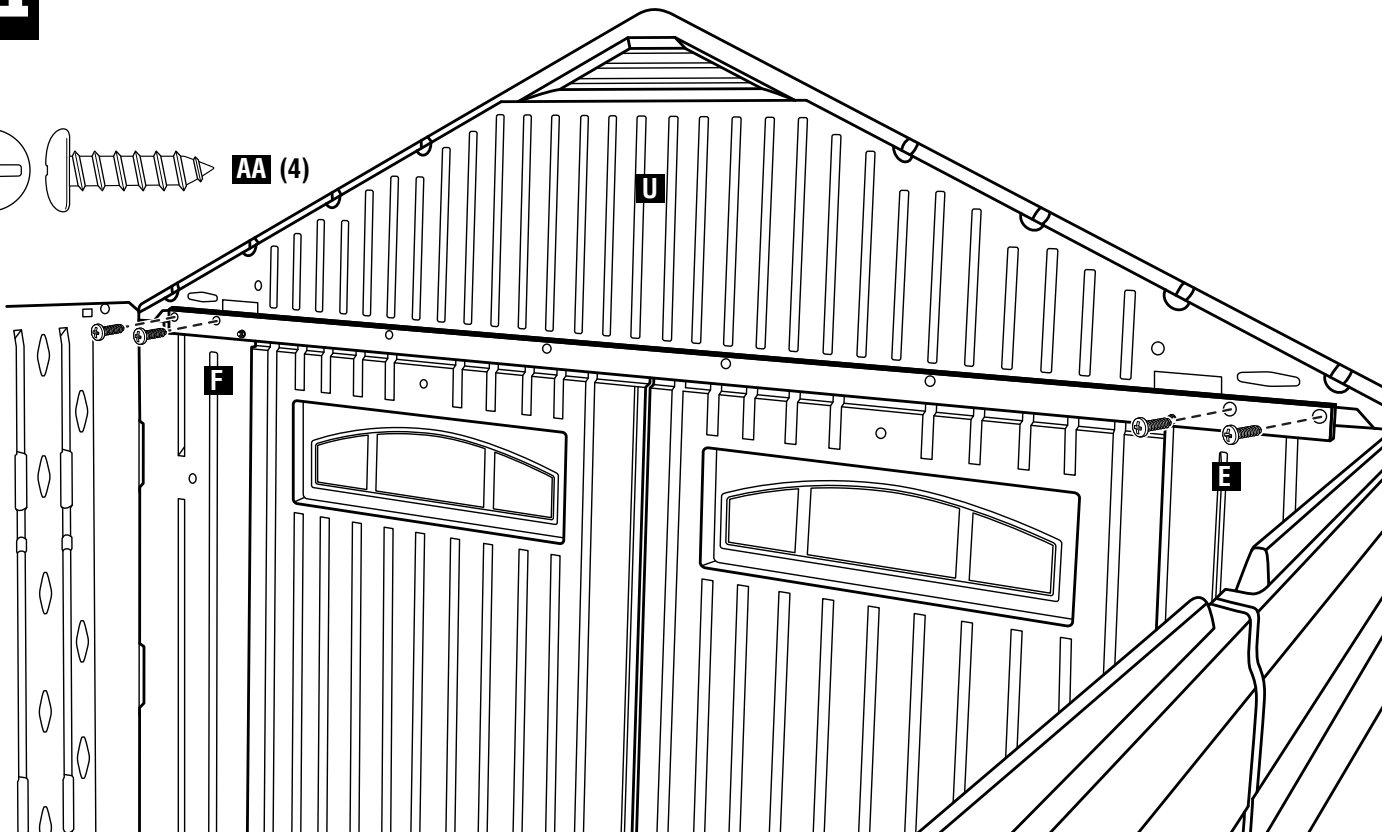
OUTSIDE VIEW RIGHT SIDE



Caution: Tighten nut securely but DO NOT compress the Front Panel.

21

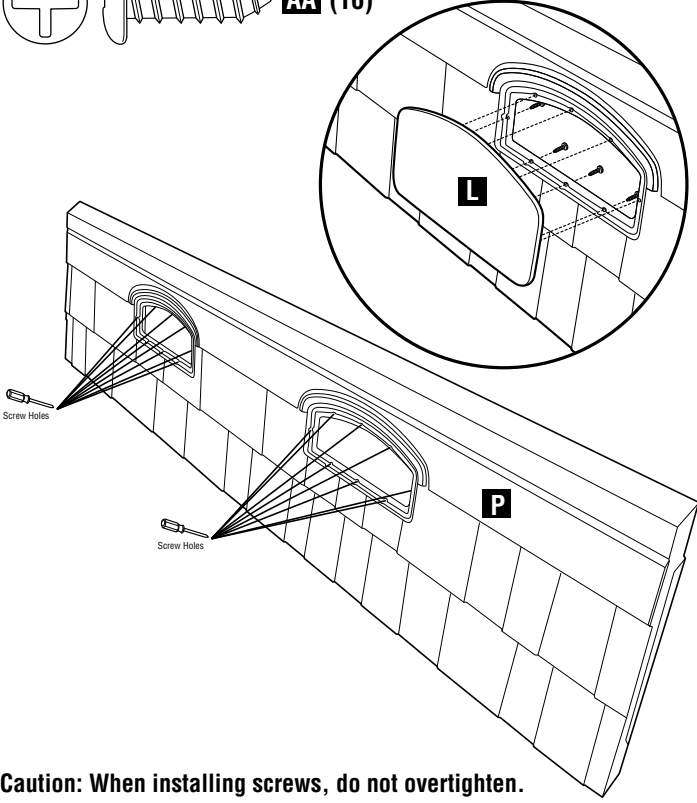
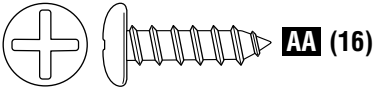
Close both doors. From inside the shed, install **Screws (AA)** 4 places connecting **Front Gable (U)** to **Left Front Panel (E)** and **Right Front Panel (F)**.

**AA (4)**

Caution: When installing screws, do not overtighten.

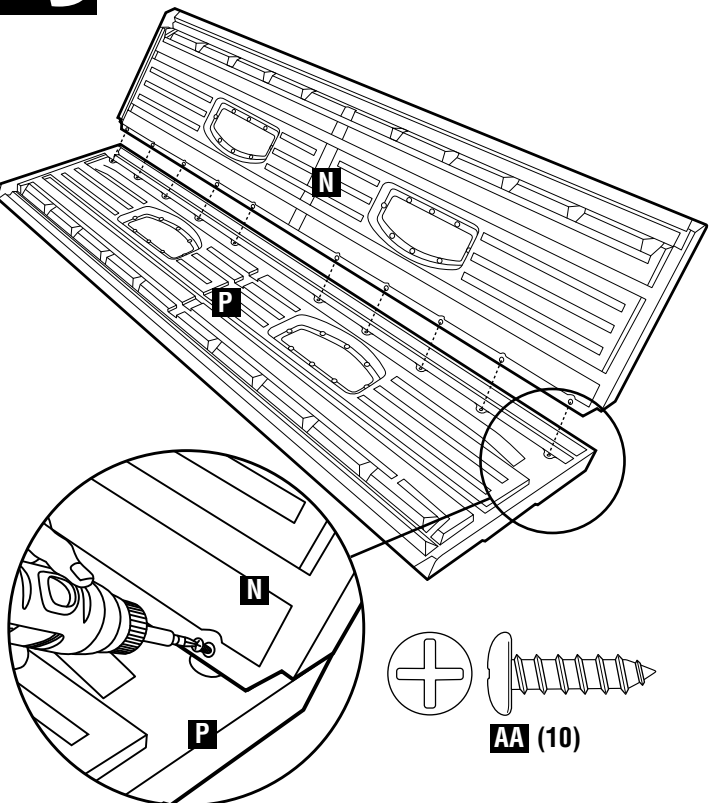
22

Using a screwdriver, punch out the screw holes around the 2 skylight openings on **Upper Roof Panel (P)** 16 places. Fasten **Skylight (L)** 2 places to **Upper Roof Panel (P)**, install **Screws (AA)** 16 places. Repeat step for **Upper Roof Panel (N)**.



23

Fasten **Upper Roof Panel (N)** to **Upper Roof Panel (P)** using **Screw (AA)** 10 places.



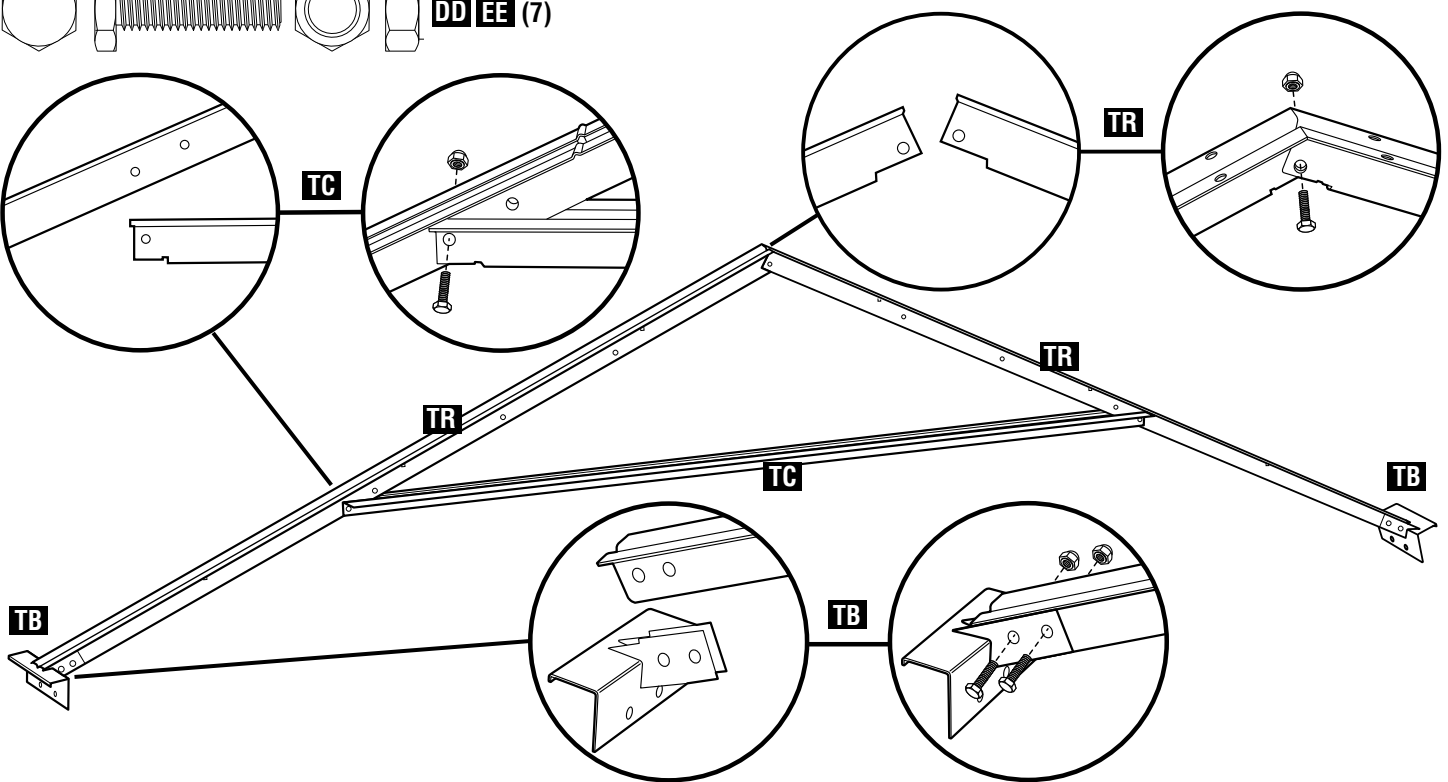
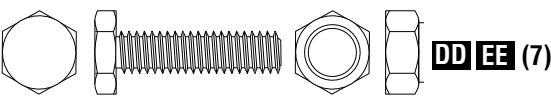
Caution: When installing screws, do not overtighten.

Caution: When installing screws, do not overtighten.

24

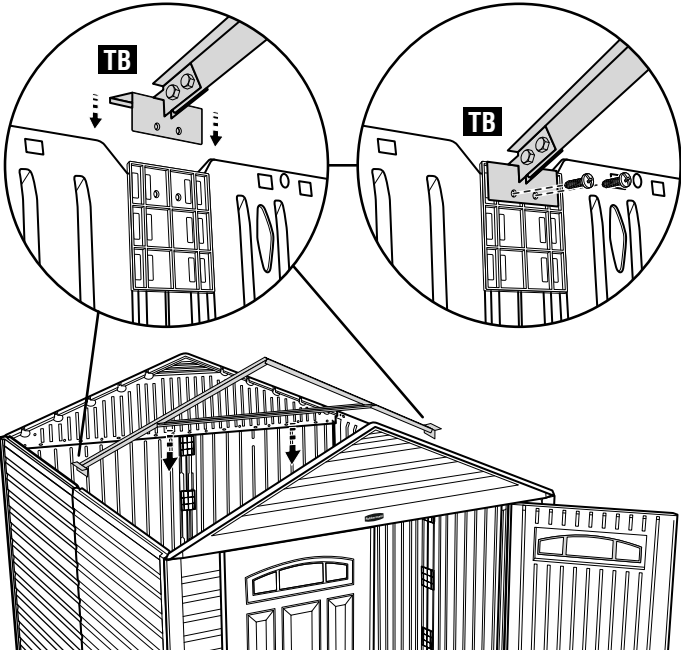
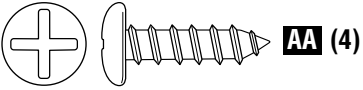
Fasten 2 **Truss Rafters (TR)** together using **Bolt (DD)** and **Nut (EE)** 1 place. Fasten **Truss Collar (TC)** to each **Truss Rafter (TR)** using **Bolt (DD)** and **Nut (EE)** 2 places. Fasten **Truss Bracket (TB)** to each **Truss Rafter (TR)** using **Bolt (DD)** and **Nut (EE)** 2 places.

Note: DO NOT completely tighten bolts and nuts, leave a 1/8" gap between the nut and the truss component.



25

Install the Truss assembly. Fasten **Truss Bracket (TB)** 2 places to the wall panels using **Screw (AA)** 4 places.

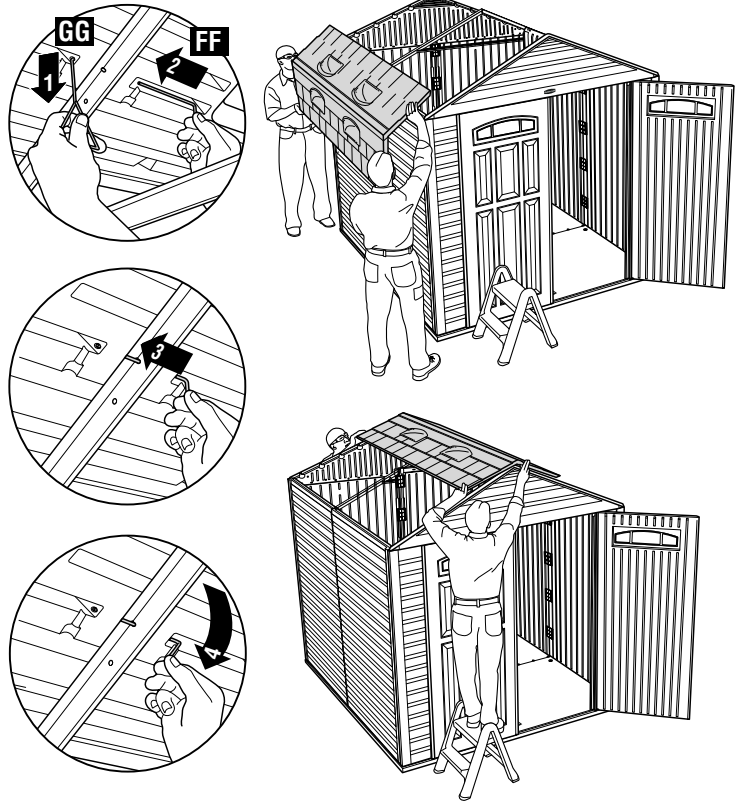


Caution: When installing screws, do not overtighten.

26

Lift the **Upper Roof Panel** assembly onto the peak. Install **Roof Pin (FF)** 2 places. If necessary, use the **Roof Pin Assembly Tool (GG)** to pull the roof down. Tighten **Bolt (DD)** and **Nut (EE)** 7 places on the Truss Assembly.

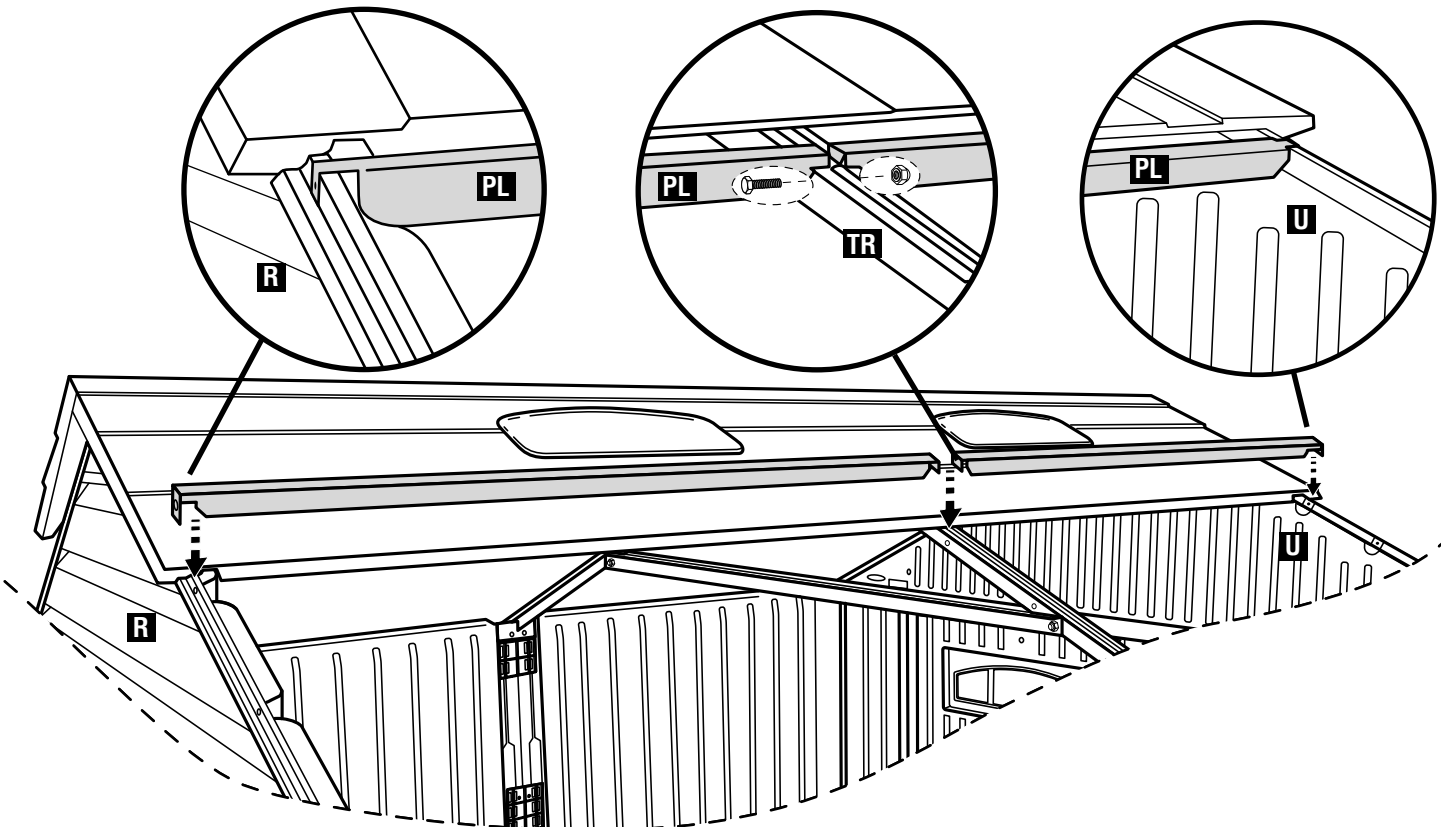
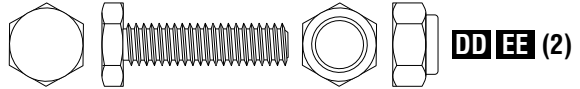
DO NOT crush the truss component.



27

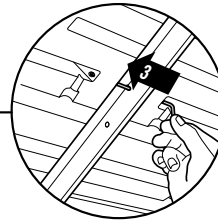
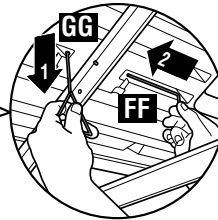
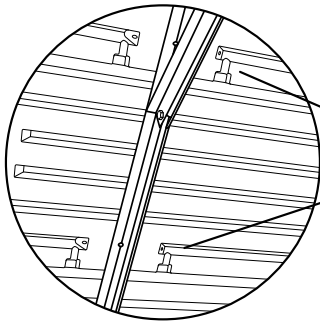
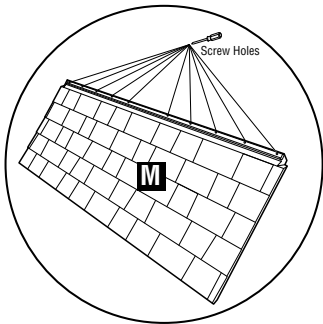
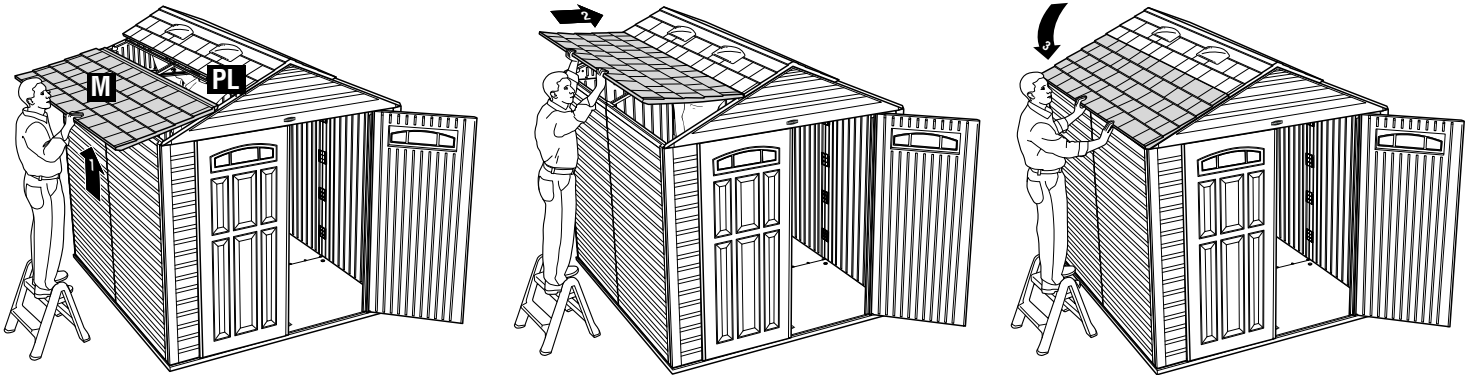
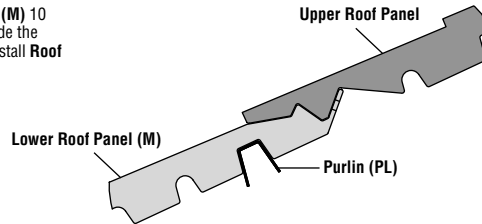
Attach **Purlin (PL)** 2 places. Fasten both **Purlins (PL)** to **Truss Rafter (TR)** using **Bolt (DD)** and **Nut (EE)** 1 place. Repeat step for opposite side.

Note: Tighten bolts and nuts until they touch the truss component, **DO NOT** crush the truss component.



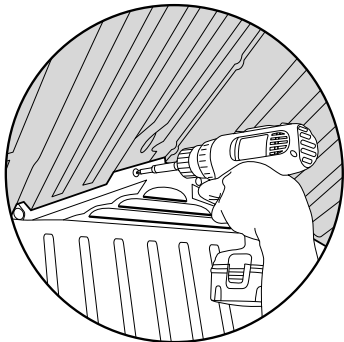
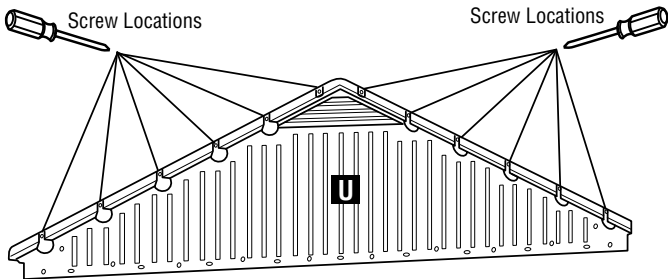
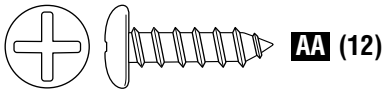
28

Using a screwdriver, punch out the screw holes on the top of **Lower Roof Panel (M)** 10 places. While one person pushes up on the bottom of the **Upper Roof Panel**, slide the **Lower Roof Panel (M)** over the **Purlin (PL)** and under the **Upper Roof Panel**. Install **Roof Pin (FF)** 2 places. Repeat step for opposite side.



29

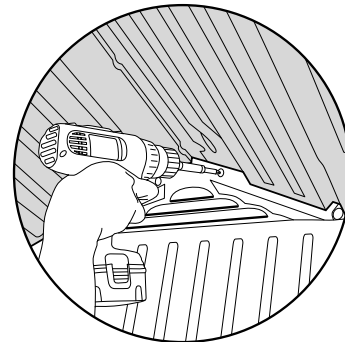
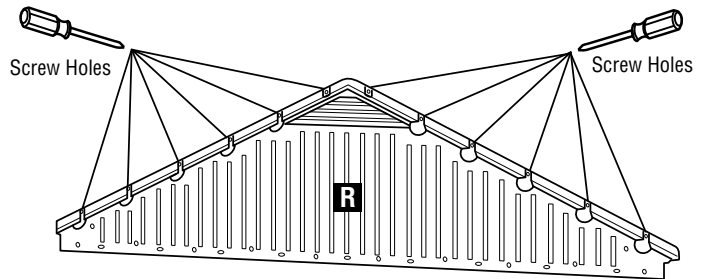
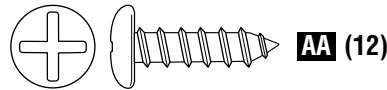
While one person holds the edge of the **Roof** down, fasten the **Front Gable (U)** to the **Roof Panels** using **Screw (AA)** 12 places.



Caution: When installing screws, do not overtighten.

30

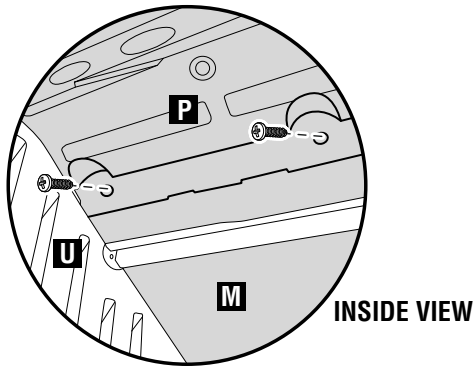
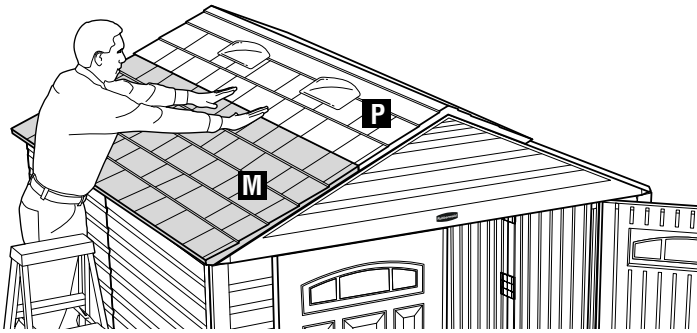
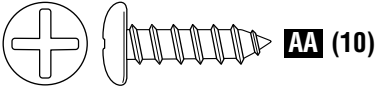
While one person holds the edge of the **Roof** down, fasten the **Front Gable (U)** to the **Roof Panels** using **Screw (AA)** 12 places.



Caution: When installing screws, do not overtighten.

31

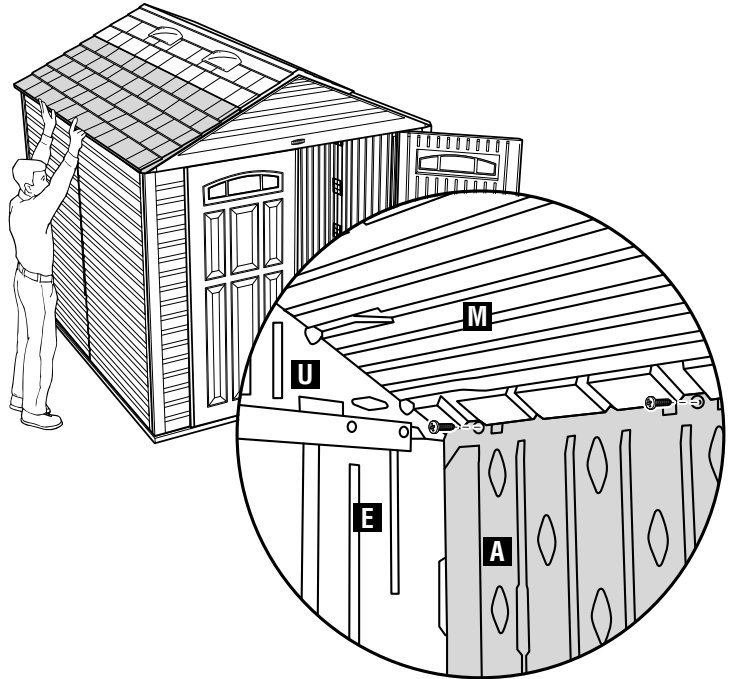
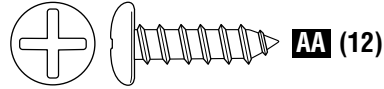
While one person holds the seam of the **Roof** down, fasten the **Lower Roof Panel (M)** to the **Upper Roof Panel** using **Screw (AA)** 10 places. Repeat step for opposite side.



Caution: When installing screws, do not overtighten.

32

While one person holds the bottom of the **Roof** down, fasten the **Wall Panels** to the **Roof Panels** using **Screw (AA)** 12 places.

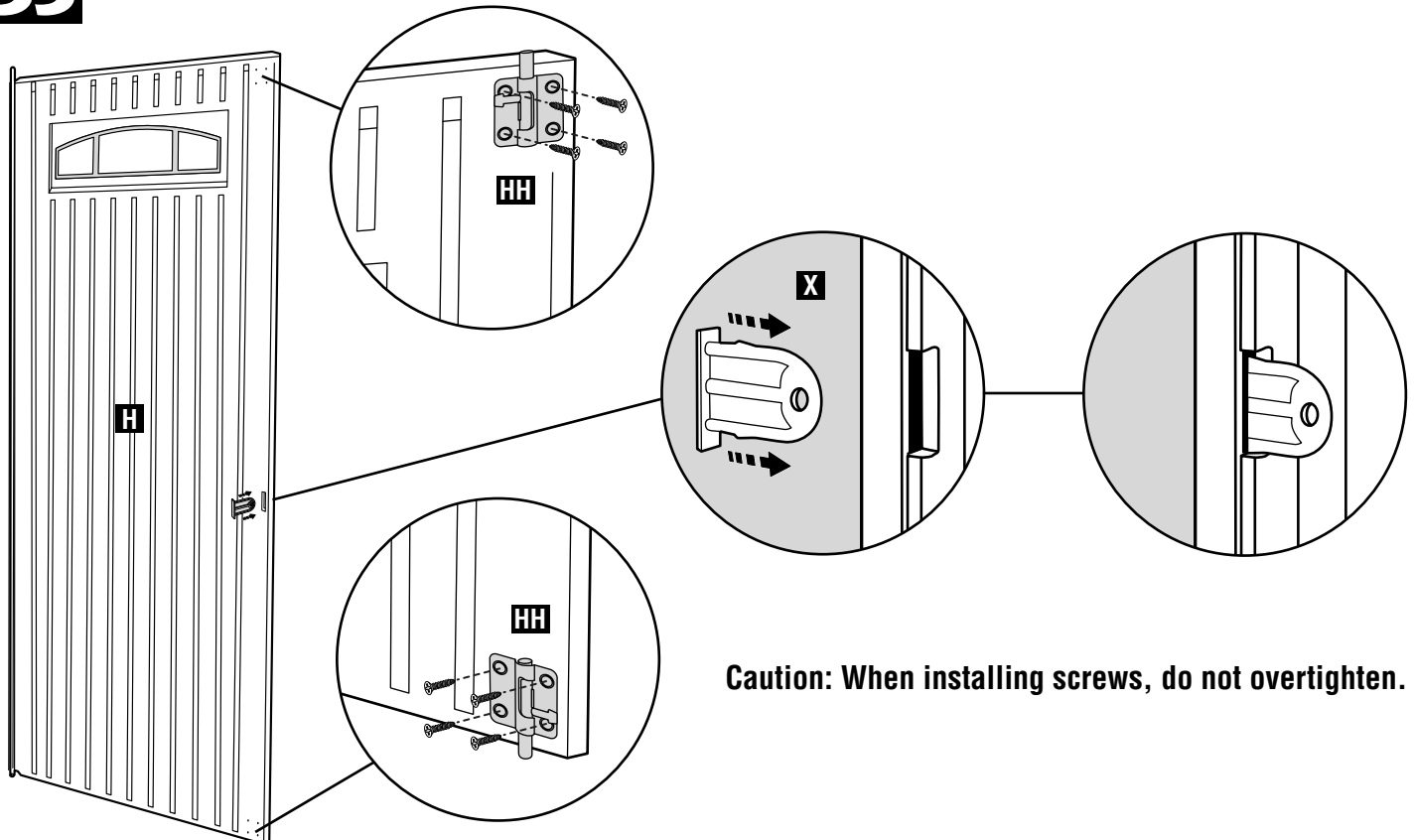


Caution: When installing screws, do not overtighten.

33

Snap Lock Hasp (X) into the interior of **Right Door Panel (H)**. Fasten **Barrel Bolt (HH)** 2 places onto the interior of **Right Door Panel (H)** using supplied screws 8 places.

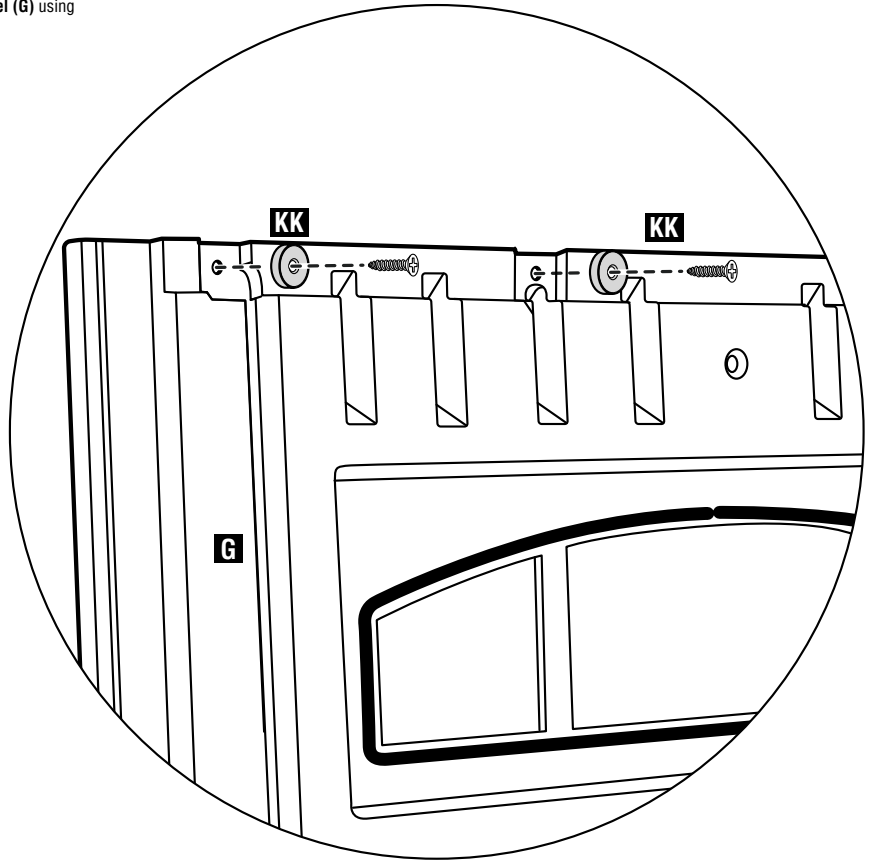
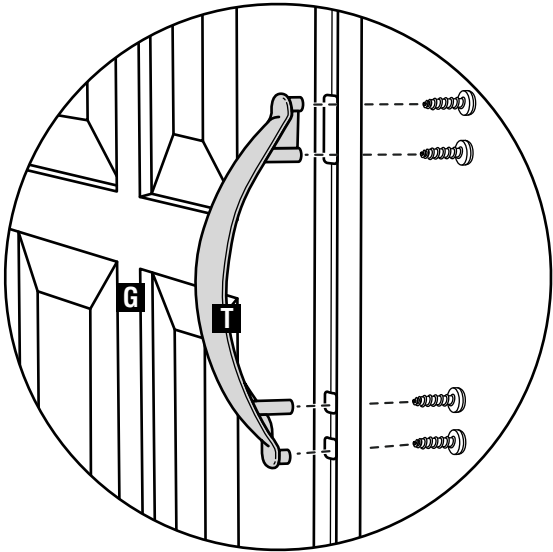
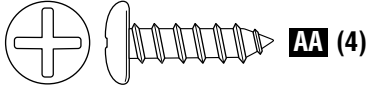
Note: Lock Hasp accepts padlocks with 1/4" diameter and smaller shackle.



Caution: When installing screws, do not overtighten.

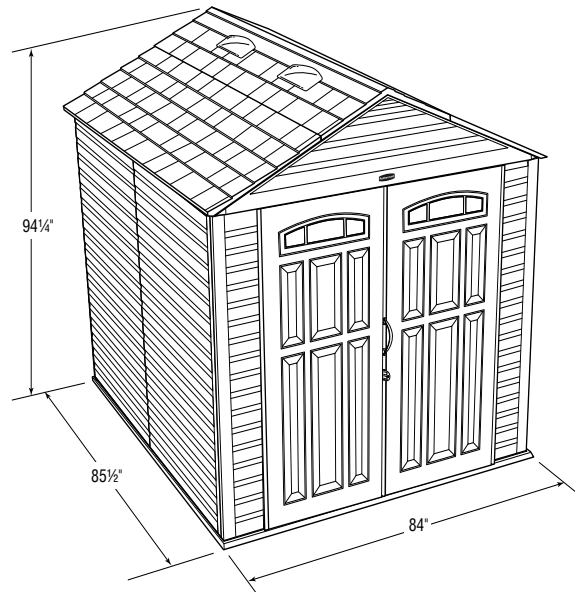
34

Fasten **Door Magnet (KK)** onto the interior of **Left Door Panel (G)** 2 places using supplied screws. Fasten **Door Handle (T)** onto **Left Door Panel (G)** using **Screw (AA)** 4 places.



Maintenance & Safety

- Periodically check shed to assure it remains stable and the site remains level.
- In areas of extreme high winds it is recommended to anchor shed to platform or ground by drilling holes in floor at designated location and secure with the proper fasteners(not included).
- Wash shed with garden hose or a mild detergent solution. Using an abrasive cleaner could damage your building.
- Hot items such as recently used grills or fire pits should not be stored in the building.
- Heavy items should not be leaned against the walls, as this may cause distortion.
- Keep doors closed when not in use to prevent wind damage.
- Do not climb onto roof.
- Shed is not designed for habitation.



A **Newell Rubbermaid** Company

Printed in U.S.A.
© 2007 Rubbermaid Inc.
16905 Northcross Drive
Huntersville, NC 28078

Customer Service

Toll Free: 1-888-895-2110
M-F 8:30AM to 5PM EST
or visit us at
www.rubbermaid.com

Imprimé aux États-Unis.
© 2007 Rubbermaid Inc.
16905 Northcross Drive
Huntersville, NC 28078

Service clientèle

Numéro gratuit : 1-888-895-2110
L-V 8h30 à 17h00 (heure de l'est)
ou allez à
www.rubbermaid.com

Impreso en los EE. UU.
© 2007 Rubbermaid Inc.
16905 Northcross Drive
Huntersville, NC 28078

Servicio al cliente

Llamada gratuita: 1-888-895-2110
L-V 8:30AM a 5PM Hora estándar del este
o visítenos en

