

ADL6

6" Architectural LED Downlight

Product Description

NICOR's architectural LED downlights are energy efficient and environmentally responsible, allowing you to light larger commercial spaces with peace of mind. The ADL offers high efficacy and exceptional color rendering, making this luminaire an ideal choice in places such as corridors, conference rooms, lobbies, and large offices. The ADL is available in a range of color temperatures with lumen options to fit any project.

Construction

- Durable galvanized steel frame, with architectural mounting bracket
- Aluminum heat sink routes heat away from electrical components

Optical System

- Highly reflective optical cone and textured diffuser create a uniform distribution of light

Electrical

- Utilizes high performing LED's with 88 CRI
- Driver delivers full-range dimming from 0 - 10VDC
- External driver ensures steady performance and long lifespan
- Operating temperature rating of 0°F to 120°F (-18°C to 49°C)
- 120-277V Input voltage
- TM-21 Projected L70(10K) life > 50,000 hrs
- LM-80 testing performed in accordance to IESNA standards

Finish

- Satin reflector with white trim ring

Installation

- Butterfly-style architectural mounting brackets accept C-channel or flat bar hangers as well as 1/2" EMT for tie-down to ceiling grid

Warranty

- 5-year limited system warranty standard
- Warranty does not cover failure due to over-voltage event (surge) - for installations where surge is a concern, NICOR recommends additional surge protection at the fixture or panel

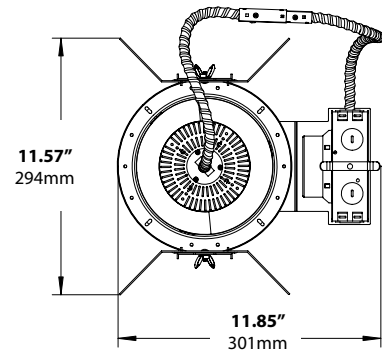
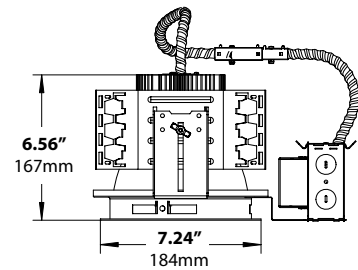
PRODUCT INFORMATION

LED Lifetime:	>50,000 Hours
Input Voltage :	120-277VAC
Fixture Height:	6.56" (167mm)
Length:	11.57" (294mm)
Width:	11.85" (301mm)
Trim Width:	7.24" (184mm)

Project

Catalog

Type



Ordering Information

Example: ADL6-1028-UNV-40K

Series	Watts	Voltage	CCT's
ADL6	1028 (28W 2079 Lumens)	UNV (120-277V)	35K (3500)*
	1040 (40W 2817 Lumens)		40K (4000)
	1048 (48W 3316 Lumens)		50K (5000)*

* Only available as special order. Contact NICOR for more info.

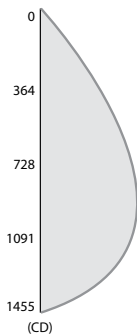
Photometric Data

ADL6-1028-UNV-40K

Luminaire	4000K
Input Voltage (VAC)	120-277
System Level Power (W)	28
Delivered Lumens (Lm)	2079
System Efficacy (Lm/W)	74
Correlated Color Temp (K)	4089
Color Rendering Index (CRI)	88

Zonal Lumen Summary

Zone	Lumens	% of Luminaire
0-30	936	45%
0-40	1435	69%
0-60	1892	91%
0-90	2079	100%
90-180	0	0%
0-180	2079	100%

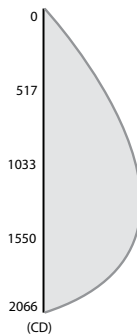


ADL6-1040-UNV-40K

Luminaire	4000K
Input Voltage (VAC)	120-277
System Level Power (W)	40
Delivered Lumens (Lm)	2817
System Efficacy (Lm/W)	70
Correlated Color Temp (K)	4055
Color Rendering Index (CRI)	88

Zonal Lumen Summary

Zone	Lumens	% of Luminaire
0-30	1268	45%
0-40	1944	69%
0-60	1315	90%
0-90	2817	100%
90-180	0	0%
0-180	2817	100%



ADL6-1048-UNV-40K

Luminaire	4000K
Input Voltage (VAC)	120-277
System Level Power (W)	48
Delivered Lumens (Lm)	3316
System Efficacy (Lm/W)	69
Correlated Color Temp (K)	4058
Color Rendering Index (CRI)	88

Zonal Lumen Summary

Zone	Lumens	% of Luminaire
0-30	1492	45%
0-40	2288	69%
0-60	3018	91%
0-90	3316	100%
90-180	0	0%
0-180	3316	100%

