



FRIGIDAIRE

Factory Parts Catalog

Product No.	FFPD1821MB0A	FFPD1821MW0A
Series	18" Portable	18" Portable
Color	black	white
Owner's Guide English	675000612098	675000612098
Owner's Guide Spanish	675000612100	675000612100
Owner's Guide French	675000612099	675000612099
Service Data Sheet	675000612101	675000612101
Energy Guide	5304484058	5304484058
Market	North America	North America

Frigidaire

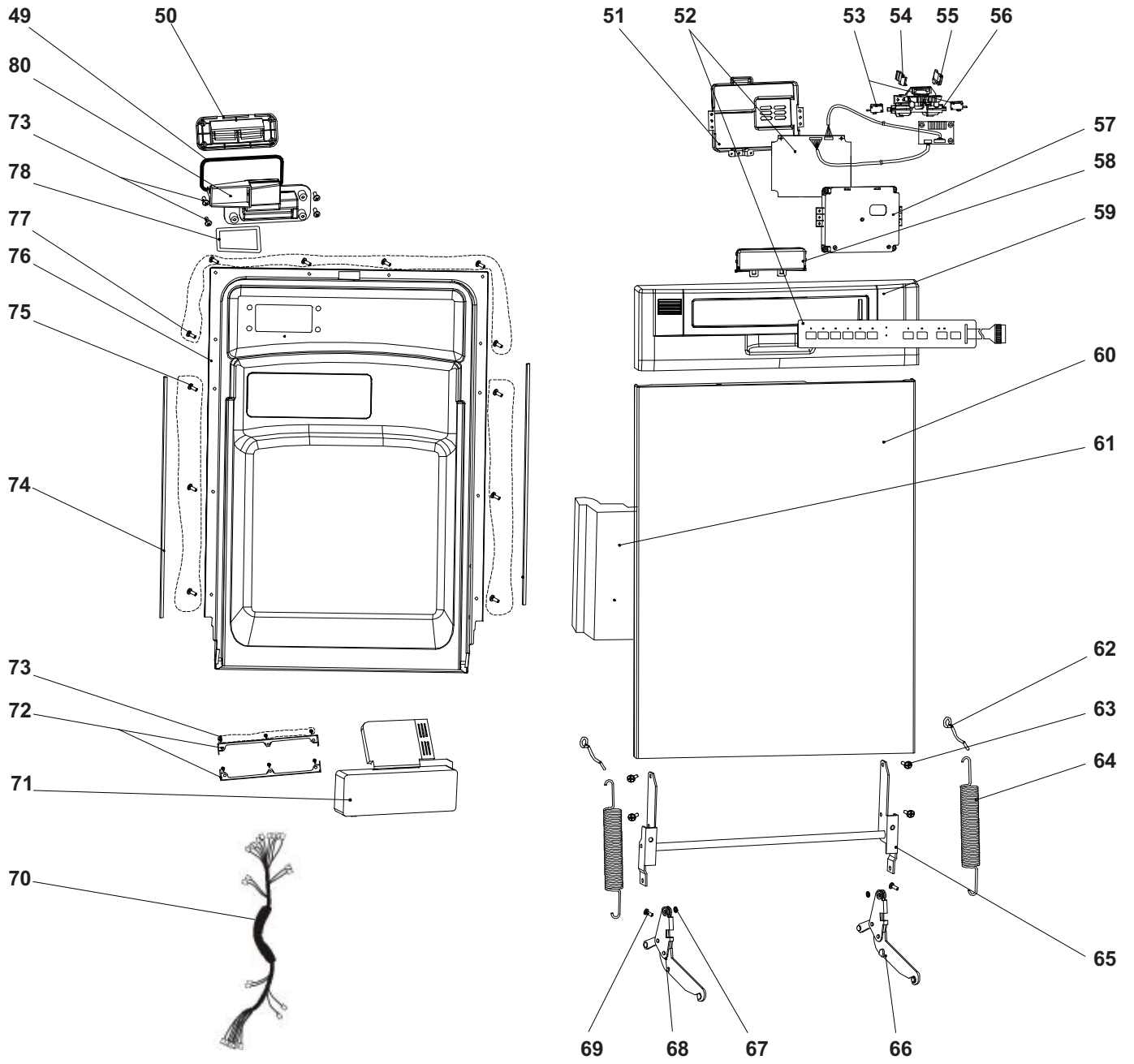
P.O. BOX 8020
CHARLOTTE, NC 28262

18-INCH PORTABLE DISHWASHER

Model No.
FFPD1821M

Publication No.
5995593133
11/04/26
(EN/SERVICE/ECL)
821

CONTROL PANEL/DOOR



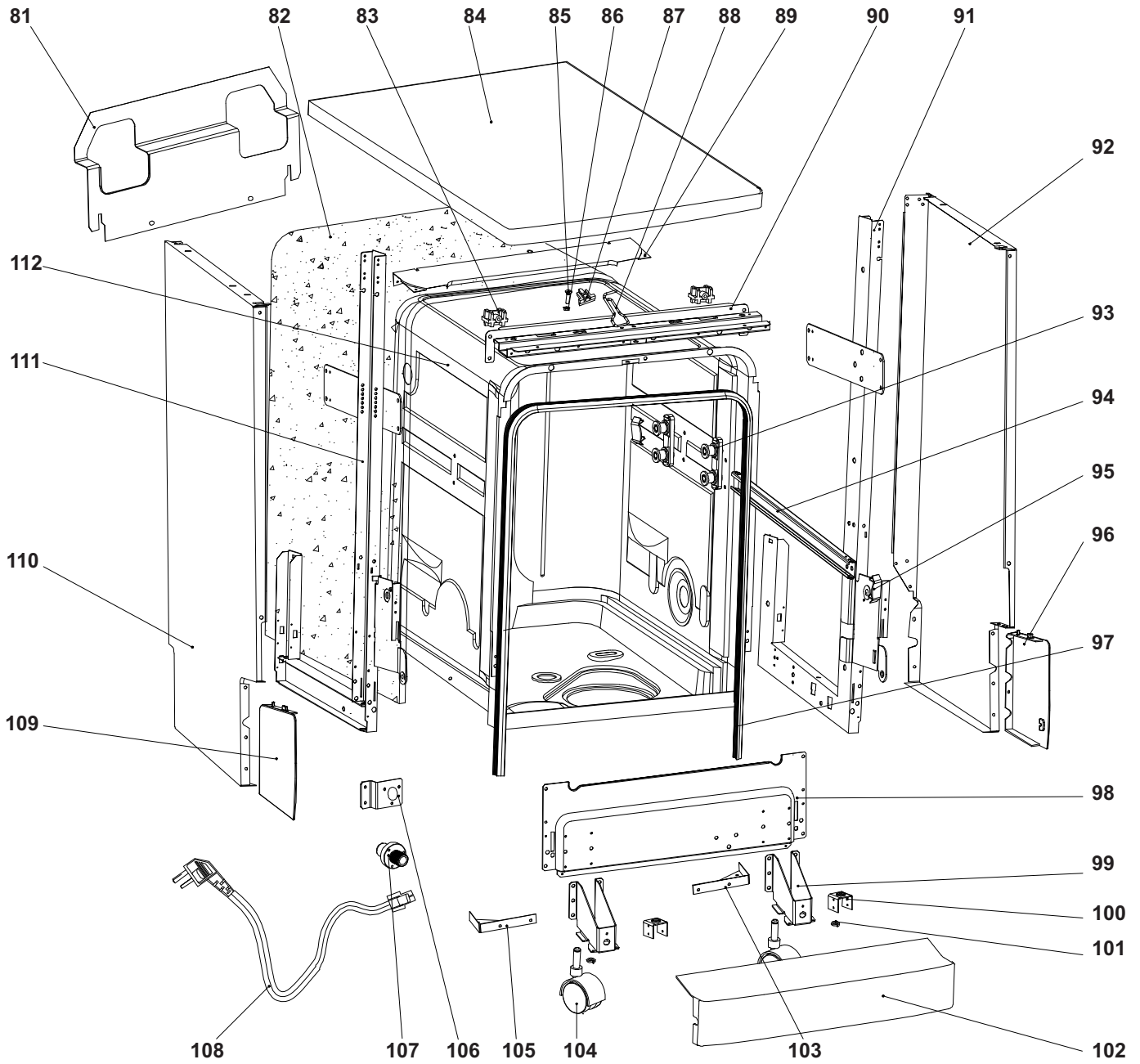
DFFPD1821MB0A

CONTROL PANEL/DOOR

Model Index: A FFPD1821M (FFPD1821MB0A)
B FFPD1821M (FFPD1821MW0A)

POS. NO	PART NO.		DESCRIPTION
49	5304482423	A B	Gasket, vent, to door liner
50	5304482452	A B	Cover, door vent
51	5304483458	A B	Cover, control board
52 #	5304483459	A B	Control Board, assembly, main
52 #	5304483461	A B	Control Board, small
52 #	5304483462	A -	Touch Pad, membrane, black
52 #	5304483460	- B	Touch Pad, membrane, white
53 #	5304483463	A B	Switch, micro, (2), latch assembly
54	5304483464	A B	Barrier, switch, LH
55	5304483465	A B	Barrier, switch, RH
56	5304482428	A B	Latch, door
57	5304483466	A B	Box, main board
58	5304483467	A -	Cover, handle, black
58	5304483468	- B	Cover, handle, white
59	5304483469	A -	Console, assembly, black
59	5304483470	- B	Console, assembly, white
60	5304483511	A -	Door, outer, black
60	5304483512	- B	Door, outer, white
61	5304483474	A B	Foam Assembly, door, inner
62	5304482486	A B	Bolt, door spring, (2)
63	5304482478	A B	Screw, rec, M5 x 6, (5)
64	5304483475	A B	Spring, door hinge, (2)
65	5304483476	A B	Hinge Assembly, door
66	5304482484	A B	Hinge, door, RH
67	5304482482	A B	Ring, clamping, (2)
68	5304482483	A B	Hinge, door, LH
69	5304482485	A B	Pin, hinge joint, (2)
70 #	5304483477	A B	Harness, wiring, main
71 #	5304482450	A B	Dispenser, assembly
72	5304482449	A B	Bracket, dispenser mtg., (2)
73	5304483478	A B	Screw, dispenser mtg., (6)
74	5304482448	A -	Guard, door, black, side, (2)
74	5304482447	- B	Guard, door, white, side, (2)
75	5304482451	A B	Screw, rec tap, st3.5 x 13, (6)
76	5304483479	A B	Liner Assembly, door, inner
77	5304482425	A B	Screw, rec tap, st3.5 x 18, (6)
78	5304483480	A B	Gasket, vent
80	5304483481	A B	Vent Assembly, door
*	5304484058	A B	Energy Guide

TUB/FRAME/WRAPPER



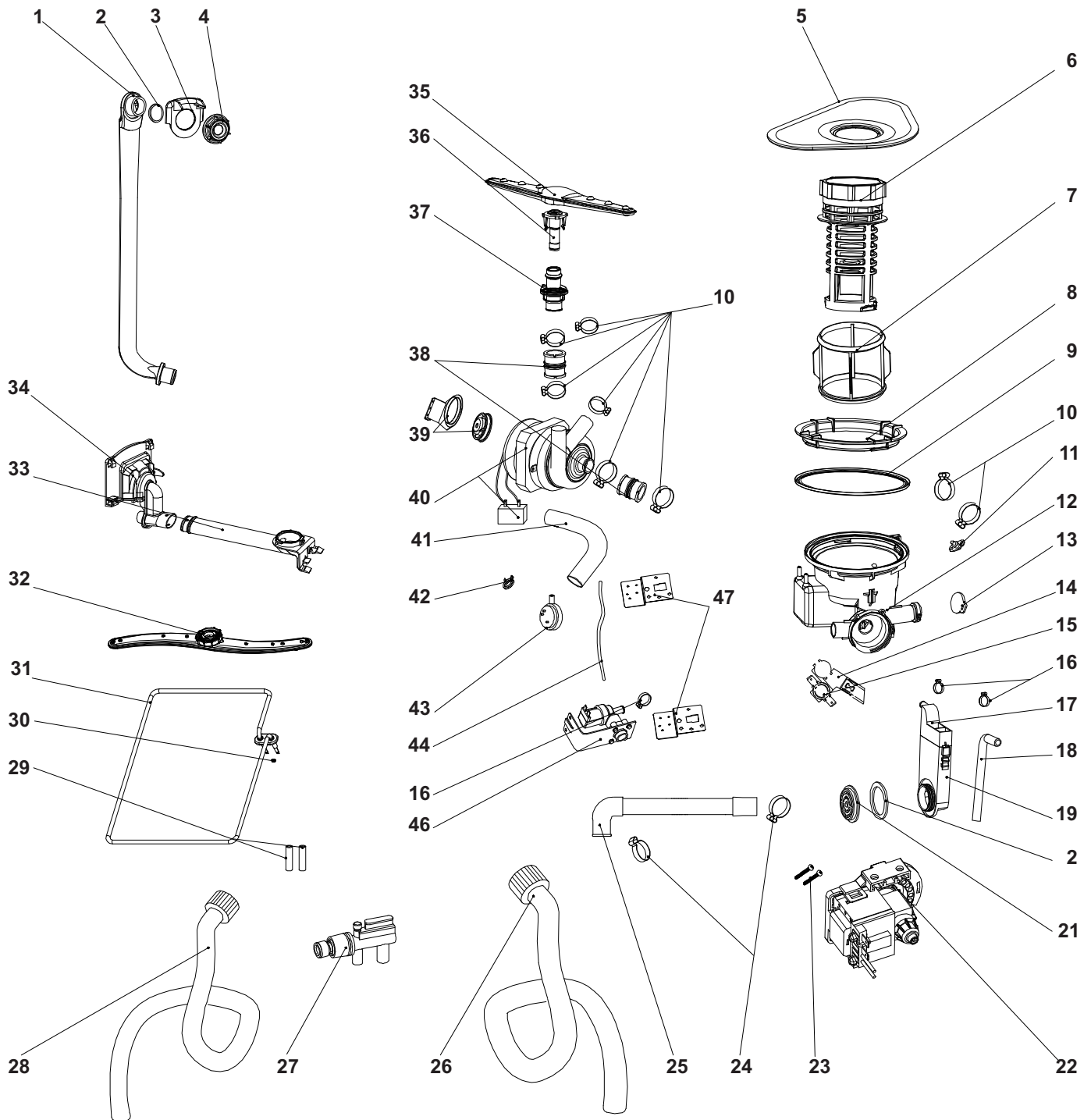
UFFPD1821MB0A

TUB/FRAME/WRAPPER

Model Index: A FFPD1821M (FFPD1821MB0A)
 B FFPD1821M (FFPD1821MW0A)

POS. NO	PART NO.		DESCRIPTION
81	5304483513	A B	Brace, back, lower
82	5304483482	A B	Insulation, blanket, tub
83	5304482372	A -	Block, top, black, (2)
83	5304483483	- B	Block, top, white, (2)
84	5304483514	A -	Top Panel, black
84	5304483515	- B	Top Panel, white
85	5304482376	A B	Screw, rec cntrsunk hd, m4 x 16
86	5304482375	A B	Locknut, M4
87	5304483484	A B	Block, coupling
88	5304483485	A B	Hook, door lock
89	5304483516	A B	Brace, back, upper
90	5304483517	A -	Brace Assembly, upper, black, front
90	5304483486	- B	Brace Assembly, upper, white, front
91	5304483518	A B	Frame Assembly, RH
92	5304483519	A -	Side Panel, black, RH
92	5304483520	- B	Side Panel, white, RH
93	5304483488	A B	Roller Assembly, tub, (4)
94	5304483489	A B	Rail, guide, upper rack, (2)
95	5304483490	A B	Cap, rail guide, (4)
96	5304483522	A -	Toe Plate, side, black, RH
96	5304483521	- B	Toe Plate, side, white, RH
97	5304483491	A B	Gasket, tub
98	5304483523	A B	Brace, front, lower
99	5304483524	A B	Bracket, roller, (2)
100	5304483525	A B	Support, roller, N type, (2)
101	5304483526	A B	Washer, roller, spring, (2)
102	5304483527	A -	Toe Plate, front, black
102	5304483528	- B	Toe Plate, front, white
103	5304483529	A B	Angle, reinforcement, RH
104	5304483530	A B	Roller Assembly, bottom, (4)
105	5304483531	A B	Angle, reinforcement, LH
106	5304483532	A B	Bracket, hose, drain pump
107	5304483533	A B	Connector, hose, drain pump
108#	5304483534	A B	Cord, power
109	5304483536	A -	Toe Plate, side, black, LH
109	5304483535	- B	Toe Plate, side, white, LH
110	5304483537	A -	Side Panel, black, LH
110	5304483538	- B	Side Panel, white, LH
111	5304483539	A B	Frame Assembly, LH
112#	5304483540	A B	Tub Assembly

MOTOR & PUMP



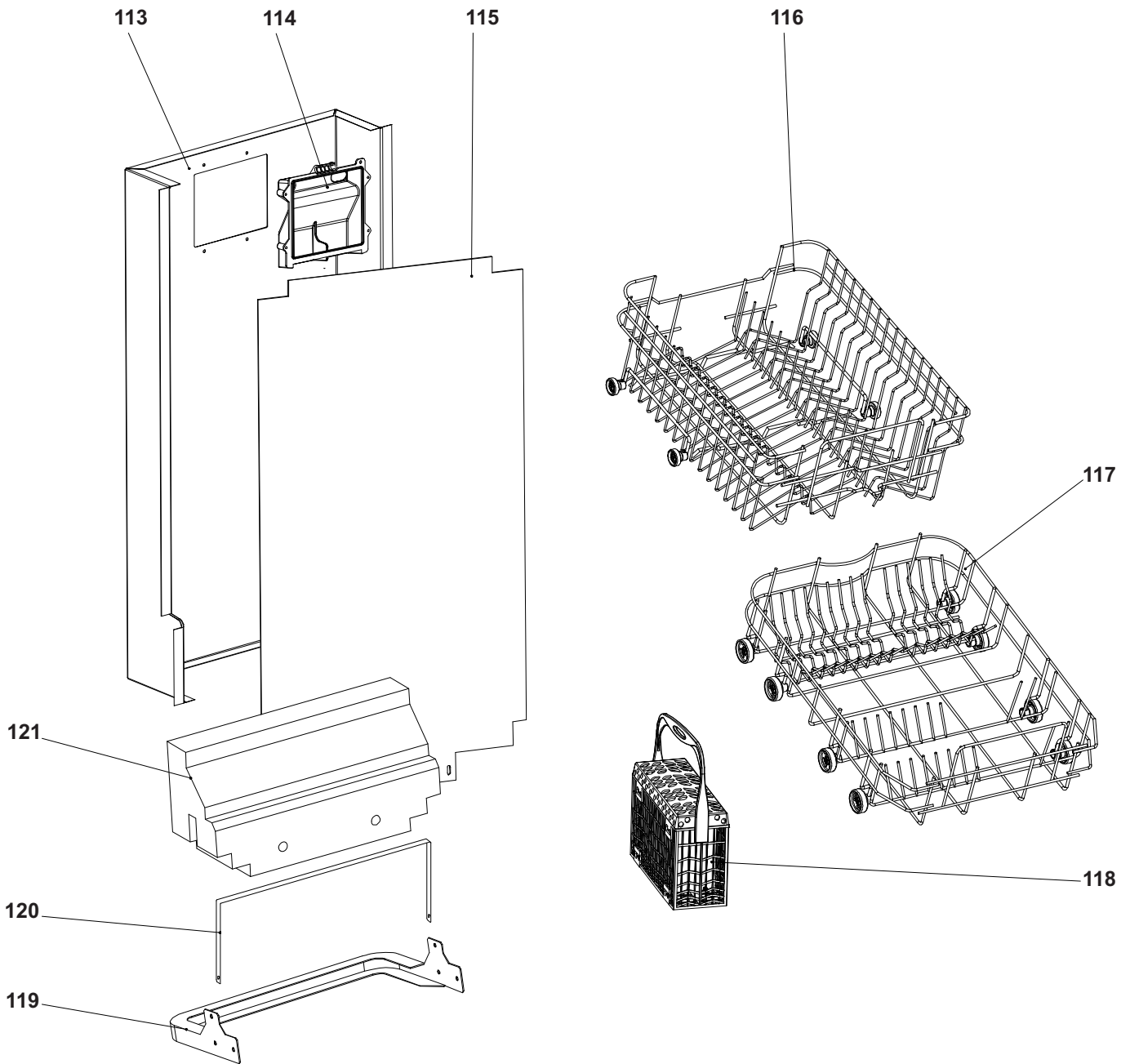
MFFPD1821MB0A

MOTOR & PUMP

Model Index: A FFPD1821M (FFPD1821MB0A)
B FFPD1821M (FFPD1821MW0A)

POS. NO	PART NO.		DESCRIPTION
1	5304483437	A B	Delivery Hose, assembly
2	5304482394	A B	Gasket, ring nut
3	5304482377	A B	Casing, delivery tube, inlet
4	5304482382	A B	Nut, delivery tube, inlet
5	5304482464	A B	Filter Assembly, screen, stainless
6	5304483438	A B	Filter Assembly
7	5304483439	A B	Filter Assembly, micro
8	5304483440	A B	Nut, sump mtg.
9	5304482467	A B	Gasket, sump
10	5304482453	A B	Clamp, hose, OTK310, (7)
11 #	5304483441	A B	Thermistor
12 #	5304483442	A B	Sump Assembly
13	5304482469	A B	Flapper, check valve
14	5304482470	A B	Bracket, thermostat
15 #	5304482472	A B	Thermostat, 90
16	5304482405	A B	Clamp, OTK175
17	5304482391	A B	Cover, water tunnel
18	5304482389	A B	Hose, inlet, tunnel
19	5304482392	A B	Tunnel, water
21	5304483443	A B	Ring Nut
22 #	5304483444	A B	Pump, drain
23	5304482501	A B	Screw, rec, ST4 x 15.5, (2)
24	5304483445	A B	Clamp, hose, OTK286, (2)
25	5304483507	A B	Hose, drain, internal
26	5304483508	A B	Hose Assembly, drain, outer
27	5304483509	A B	Faucet Adapter, quick connect
28	5304483510	A B	Hose Assembly, water inlet
29	5304482462	A B	Casing, heating element, (2)
30	5304483446	A B	Nut, heating element
31 #	5304483447	A B	Element Assembly, heating
32 #	5304483448	A B	Spray arm, assembly, upper
33	5304483449	A B	Conduit, spray arm, upper
34	5304482489	A B	Delivery Assembly, spray arm, middle
35 #	5304483450	A B	Spray arm, assembly, lower
36	5304483451	A B	Axis Assembly, spray arm, lower
37	5304483452	A B	Connector Assembly, spray arm, lower
38	5304482455	A B	Duct, connecting, (2)
39	5304483453	A B	Support Assembly, motor, w/pad
40 #	5304483454	A B	Pump Assembly, motor, w/capacitor
41	5304482473	A B	Duct, connecting, external pipe
42	5304482419	A B	Clamp, hose, 12.9 x 1.8
43 #	5304482397	A B	Switch, pressure
44	5304483455	A B	Hose, pressure switch
46 #	5304482406	A B	Valve, inlet
47	5304483457	A B	Support, pressure switch

RACKS/BACK PLATE



RFFPD1821MB0A

RACKS/BACK PLATE

Model Index: **A** FFPD1821M (FFPD1821MB0A)
 B FFPD1821M (FFPD1821MW0A)

POS. NO	PART NO.		DESCRIPTION
113	5304483541	A -	Back Board, black
113	5304483542	- B	Back Board, white
114	5304483543	A B	Box Assembly, hanging, faucet adaptor
115	5304483544	A B	Panel, back
116	5304483504	A B	Rack Assembly, upper
117	5304483505	A B	Rack Assembly, lower
118	5304483506	A B	Basket Assembly, silverware
119	5304483545	A B	Support, weight, U type
120	5304483546	A B	Band, metal strapping, weight
121	5304483547	A B	Weight, concrete