

SIZE : 142 x 210mm



DELUXE OUTDOOR COOLER

Instruction Manual

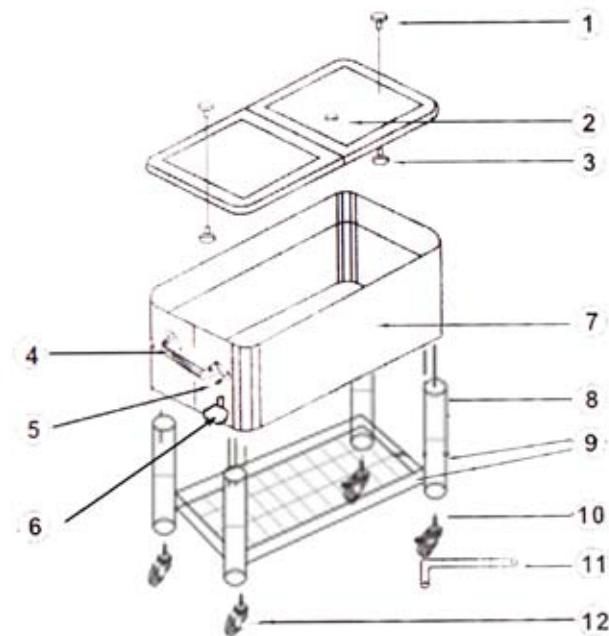


Read the instructions before use of this product.
Please keep this instruction manual for future reference.

For warranty information, please refer to the back page of this instruction manual.

PARTS & HARDWARE LIST

Item	Description	Qty
1	Lid Handle	2
2	Lid	1
3	M5*35 Screws	2
4	Handle	2
5	Allen M6*16 Screws	14
6	Bottle Opener	1
7	Basin	1
8	Upper Legs	4
9	Legs with Tray	1
10	Casters with Lock	2
11	M6 Allen Wrench	1
12	Casters without Lock	2



EXTRA 1PC ALLEN SCREW INCLUDED

ASSEMBLY INSTRUCTIONS

ASSEMBLY INSTRUCTIONS:

TOOLS REQUIRED:

#2 Phillips screw driver, Allen wrench (included)

Please read the cooler manual carefully and assemble according to following steps.

1. Please make sure all parts are accounted for before beginning assembly
2. Place main basin (Part 7) up-side down on clean soft surface
3. Attached left handle (part 4) to main basin using 6 each M6X16 screws (Part 5) tighten with wrench. Repeat for right handle
4. Attached bottom opener (Part 6) to main basin using 2pc M6X16 screws(Part 5)
5. Turn over entire lets with tray (Part 9) side up and attached 2pc caster with lock (Part 10) & 2pc caster without lock (Part 12) into legs. The casters with block should be on same side.
6. Turn over the legs with tray and snap the upper leg (Part 8) into bottom tray (Part 9)
7. Place Main basin onto the ready legs
8. Attached 2pc lid handle (Part 1)to cooler lid by using 2pc M5X35 (Part 3)screws with Allen wrench
9. Clean inside of cooler completely with soft dry towel. Place cooler lid (Part 2) on top of main basin (Part7). Your cooler is now ready for use.



Sainty International, LLC.

3112 Seaborg Ave., Unit C,
Ventura, CA 93003
Tel: (805) 248-0309
Fax: (805) 617-4067
info@sainty.us