



# Gate Kit

*Assembly and Installation Instructions*

PLEASE READ OWNER'S MANUAL COMPLETELY  
BEFORE ASSEMBLING YOUR GATE KIT.

**For Use With  
Premier & Select Railing**

34106812BOM V1 1/13

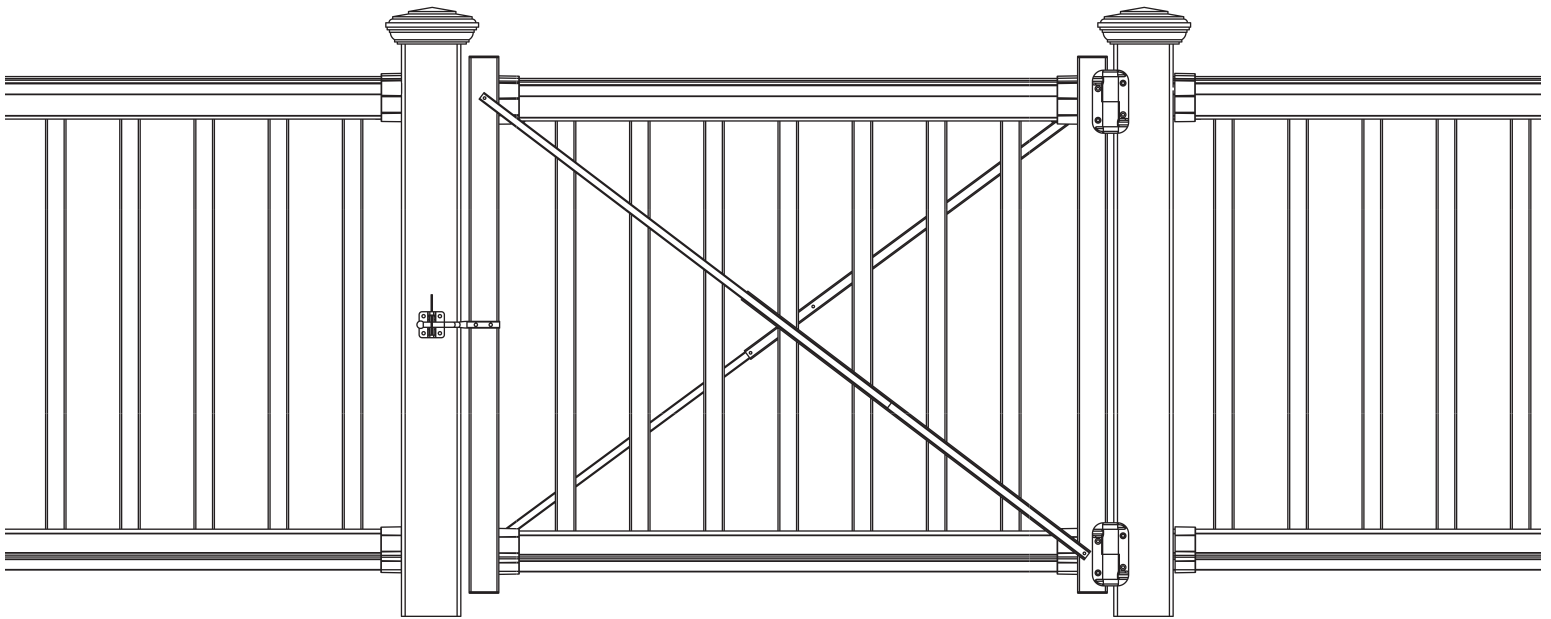
**Models**

73014062  
73014078

**Owner's Manual**

**Version**

**1.0**



Thank you for choosing the Barrette Outdoor Living Railing. Please read the instructions completely before assembling your rail. Retain manual and your dated sales slip for future reference and warranty claims.

**Before You Begin...**

Make sure your project meets local building codes before beginning installation.

**Material Checklist:**

- Tape Measure
- Level
- Hacksaw or Chopsaw
- Rubber Mallet
- Drill
- Drill bits
- #2 square drive bit
- 3" Wood Blocks

**ATTENTION: Before you assemble the gate kit:**

**PLEASE TAKE A COMPLETE INVENTORY OF ALL PARTS USING THE KIT CONTENTS.**

**DO NOT ATTEMPT TO ASSEMBLE THE GATE KIT IF PARTS ARE MISSING OR DAMAGED.**

**Please do not return the product to the store, for assistance or replacement parts call:**

**1-800-336-2383**

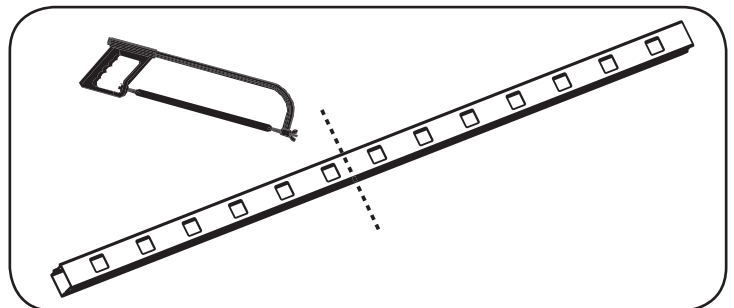
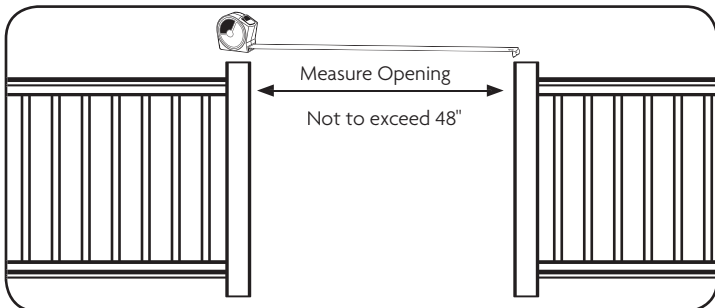
**Kit Contents:**

- Two (2) vinyl uprights with aluminum stiffeners and caps (36" long)
- One (1) gravity latch (includes screws)
- Two (2) telescoping metal braces, with color matched screws (bag packed: four (4) #8 x 3/4" and four (4) #8 x 3/8")
- One (1) Hinge kit (includes two (2) hinges, sixteen (16) mounting screws and one (1) spring tension adjustment wrench)
- One (1) screw pack for bottom rail brackets (bag packed: four (4) #10 x 1")

**NOTE:** Before you begin, lay gate components to be assembled on a smooth and clean work surface so as not to scratch/damage your railing/gate.

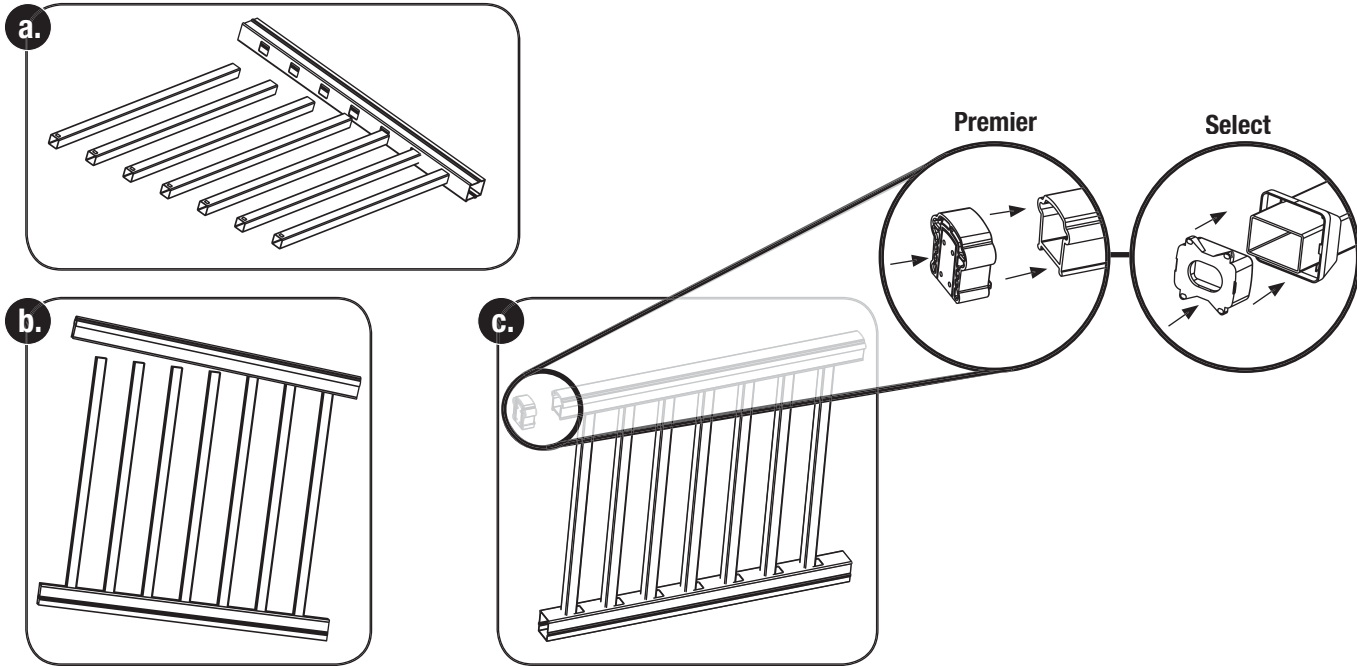
**Cut rails to needed length**

- 1** Measure opening between posts where you wish to put gate. **For Premier railing subtract 6 1/2" from opening. For Select railing, subtract 6" from opening.** This is the length you will cut your rails for gate. **NOTE: Maximum width of opening between posts is 48".** Align top rail with bottom rail and cut both rails with miter box or hacksaw (See saw blade manufacturer's specs for correct blade). Prior to cutting, be sure the spacing from the end of the rail to the first routed hole is the same on both ends, which will allow for the gate balusters to be installed in proportion. **NOTE FOR SELECT: Once cut, mark which rail is top and bottom with tape (temporarily). The top rail is the one with aluminum inside. Once rails are installed to uprights, you will not be able to see inside the rails to tell.**



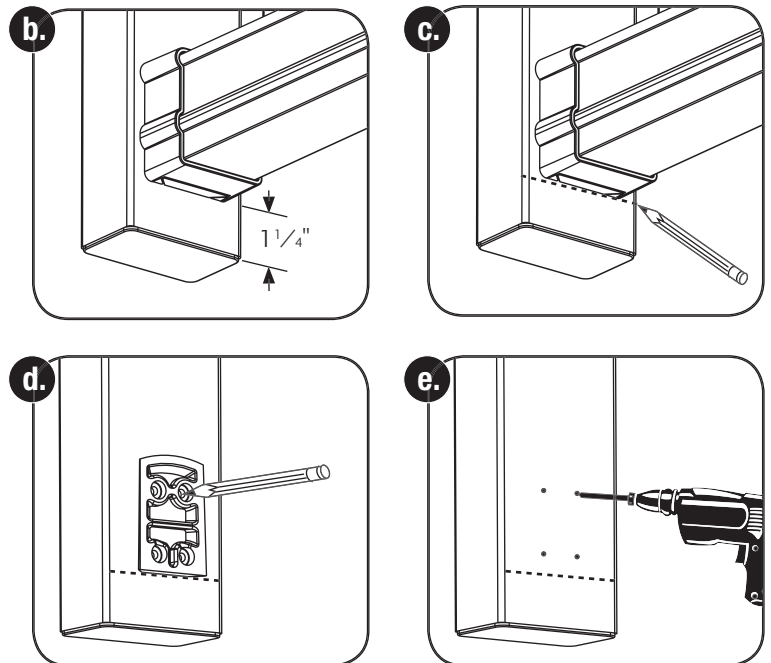
## Assemble rails for gate

- 2**
- Lay bottom rail on a clean smooth surface and snap balusters into routed holes.
  - Then repeat the process to connect the top rail.
  - For Premier railing:** make sure bracket dovetails are slid into the back of the brackets.  
**For Select railing:** slide bracket covers and brackets over the ends of the top and bottom rails on each side.



## Install bracket dovetails to gate uprights (For Premier Railing Only)

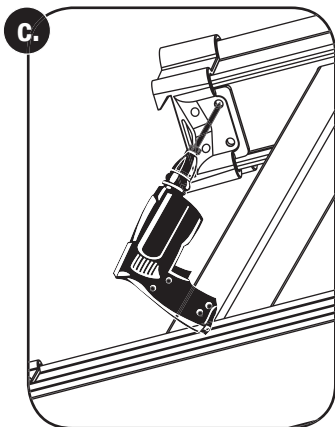
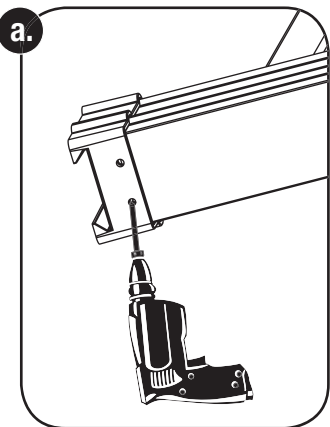
- 3** This step is for Premier Railing only. Proceed to Step 4 if installing Select Railing.
- Lay the assembled rail section on a flat surface and place the uprights on each side.
  - To properly align the rail to the uprights, set the bottom of the bottom bracket  $1\frac{1}{4}$ " from the bottom of the upright.
  - Making sure the rail section is tight (push the top and bottom rails towards each other to make sure the balusters are not loose), mark the bottom of all 4 rail brackets on the uprights.
  - Remove the dovetails from the brackets. Place dovetails on the uprights using the marked lines from above as a guide. Be sure to center the dovetails. Mark the holes from the dovetails on the upright.
  - Pilot drill with a  $\frac{5}{32}$ " drill bit through the marked holes, through the plastic as well as the aluminum insert.
  - Mount dovetails with provided 2" screws. DO NOT use  $2\frac{1}{2}$ " screws under any circumstance.



**Permanently attach brackets to rails**

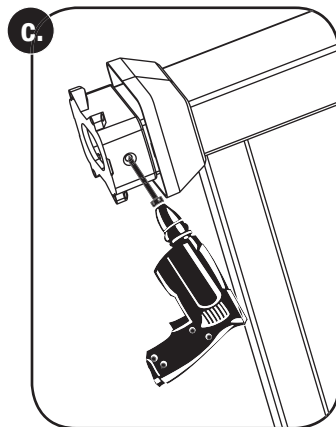
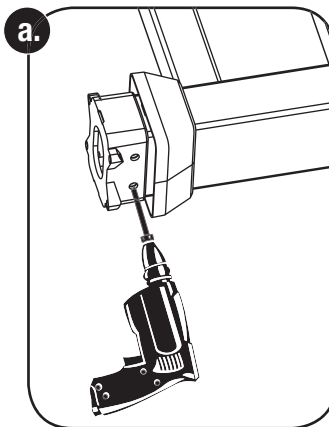
**4 Premier Railing**

- a. For bottom rail, predrill two holes underneath bracket with a  $\frac{5}{32}$ " drill bit (2 per bracket).
- b. For bottom rail, use 1" screws (provided in Gate Kit) (2 per bracket).
- c. For top rail, predrill two holes underneath bracket with a  $\frac{5}{32}$ " drill bit (2 per bracket).
- d. For top rail, use 2" screws (provided in Rail Kit) (2 per bracket)



**Select Railing**

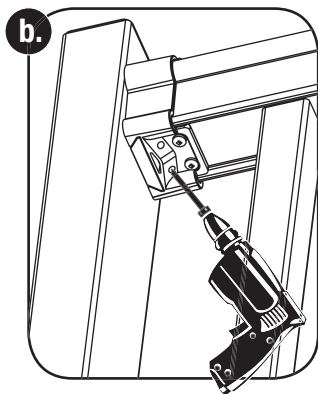
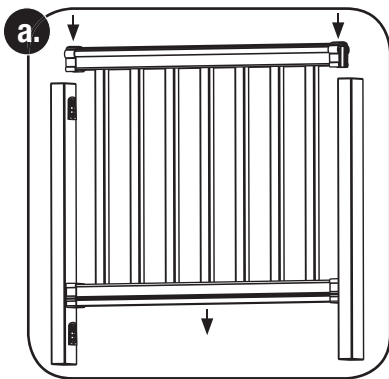
- a. For bottom rail, predrill two holes underneath bracket with a  $\frac{5}{32}$ " drill bit (2 per bracket). Be sure that the screws are centered and no greater than  $1\frac{1}{4}$ " apart.
- b. For bottom rail, use 1" screws (provided in Gate Kit) (2 per bracket).
- c. For top rail, predrill through the side holes of brackets and through aluminum insert with a  $\frac{5}{32}$ " drill bit (2 per bracket).
- d. For top rail, use 1" flathead screws (provided in Rail Kit) (2 per bracket).



**Assemble rails to uprights**

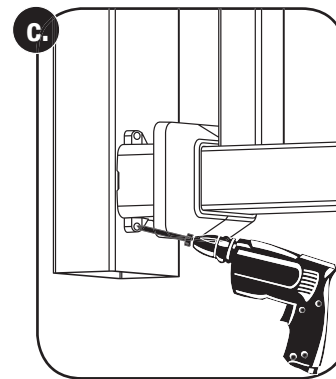
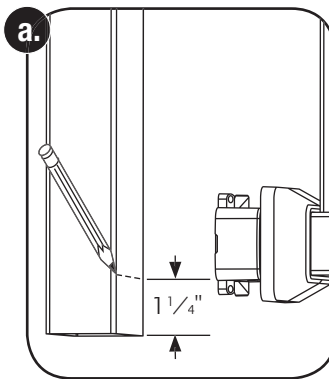
**5 For Premier Railing:**

- a. Once all four dovetails are attached to uprights (Step 3) and brackets are connected to rails (Step 4), then carry the assembled rail/gate and slide brackets over the dovetails on the uprights.
- b. Then, connect top brackets to uprights. Predrill on angle through dimpled angled holes, upright, and aluminum insert with  $\frac{5}{32}$ " drill bit. Screw in with 2" screws as provided in the Rail Bracket Kit.



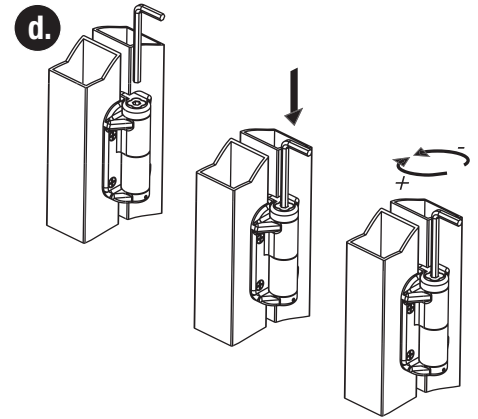
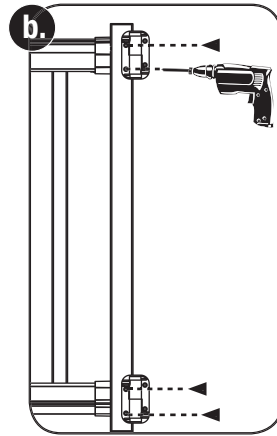
**For Select Railing:**

- a. From bottom of upright to the flat bottom part of the bottom bracket, mark at 1".
- b. Align bottom of bracket (already connected to railing in Step 4b Select) to the line made in Step 5a Select.
- c. Predrill through angled holes through upright and aluminum with  $\frac{5}{32}$ " drill bit. Screw in with four (4)  $1\frac{1}{4}$ " screws as provided in the Rail Bracket Kit.
- d. Repeat Step 5c for the top rail bracket. Install two (2) screws.

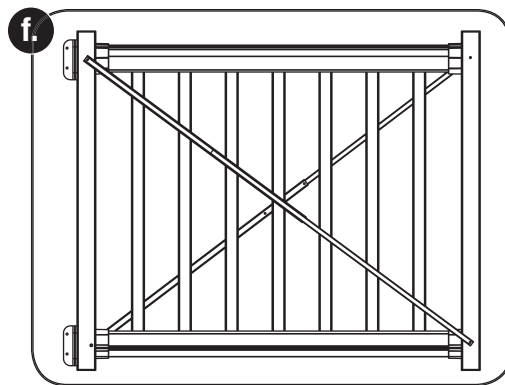
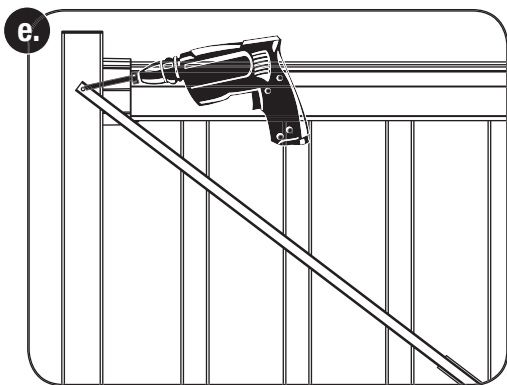
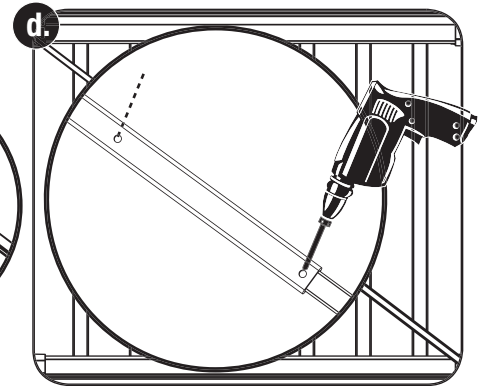
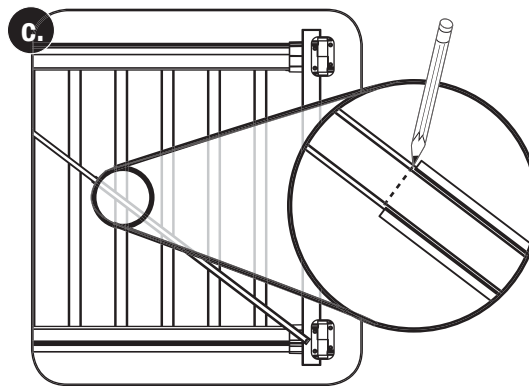
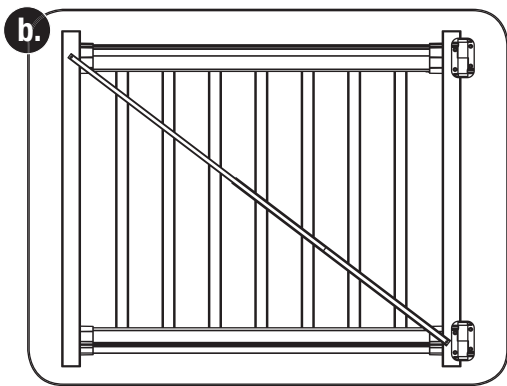


**Mount hinges to gate**

- 6**
- Center the provided hinges on the upright to align with the top and bottom rails of gate, and mark screw holes.
  - Pre-drill holes through aluminum insert.
  - Screw in with two screws (provided with hinge)
  - Relieve tension of hinges as follows:
    - Insert allen wrench into the cam at the end of the hinge barrel
    - Press the wrench downward, pushing the cam into the barrel.
    - Rotate the cam counter-clockwise to reduce spring tension. Adjust one hinge at a time in  $\frac{1}{4}$  turn increments.

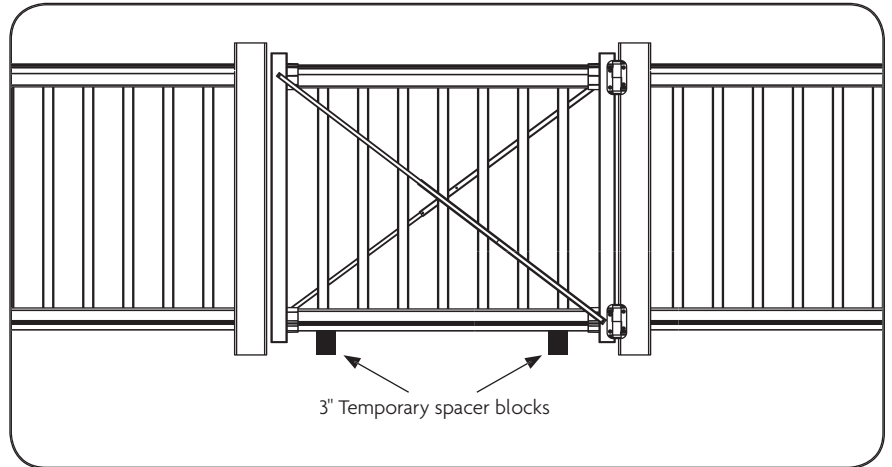
**Mounting the cross braces**

- 7**
- On one side of gate, extend the first brace.
  - Extend brace across gate to the uprights, noting one side will be adjacent to hinge.
  - Once length is determined, mark brace in center with pencil line.
  - Pilot drill through the two provided brace holes with  $\frac{1}{8}$ " drill bit. Then, secure brace together at the measured length with provided #8 x  $\frac{3}{8}$ " blunt end screws (2) in the center of the brace.
  - Attach brace to uprights. Pre-drill one end of brace with a  $\frac{1}{8}$ " drill bit through upright and aluminum inside of upright, then anchor the brace to the upright with #8 x  $\frac{3}{4}$ " screw. Repeat for other end of brace.
  - Flip rail over. Repeat instructions 7a–7e, being sure to install second brace on opposite side of gate, and opposite orientation of brace (making an "X")



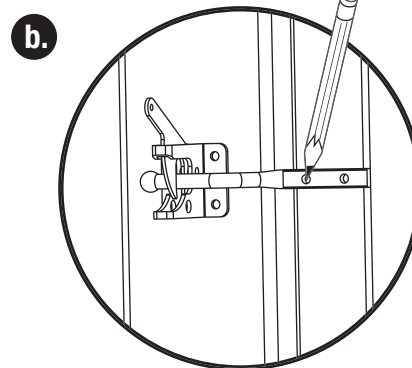
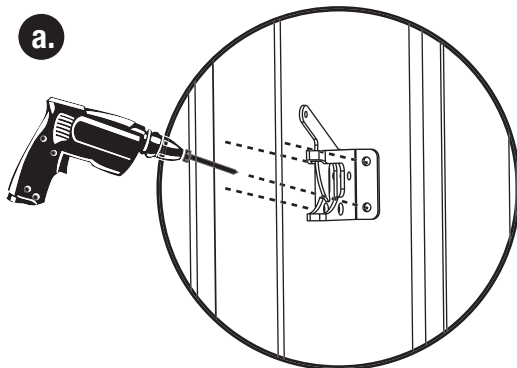
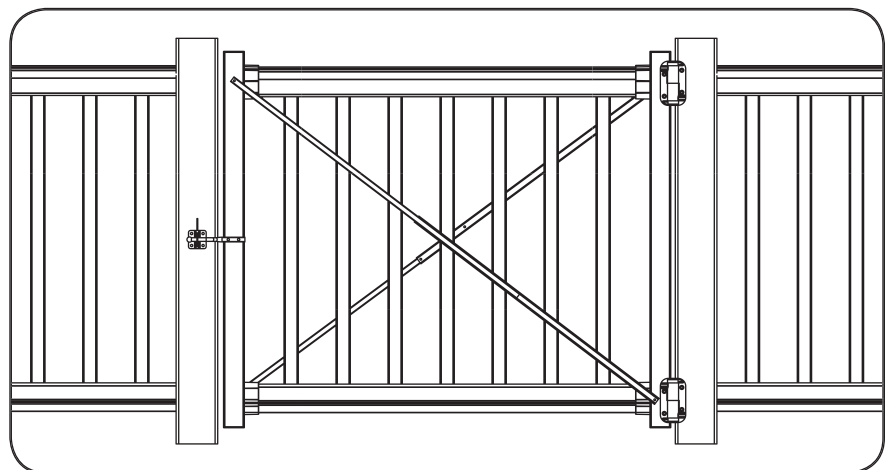
**Hang assembled gate to post**

- 8**
- Cut two temporary wood blocks (3" tall, not included), and rest bottom rail of gate on them. Align gate between the posts.
  - Secure hinges to posts with provided screws.
  - Adjust tension of hinges – See Step 6D.
  - Remove the temporary wood blocks.



**Install gravity latch**

- 9**
- Orient the latch at desired height on gate/post. Latch should be on same side as hinges.
- Hold self-closing latch in middle of post, making sure movable part of latch is on top. Mark four (4) holes and predrill using a  $\frac{1}{8}$ " drill bit. Fasten with provided four (4)  $1\frac{1}{4}$ " screws.
  - Close gate and insert the locking bar into the latch. Mark holes (2) from locking bar onto gate upright and predrill using a  $\frac{1}{8}$ " drill bit. Attach with  $\frac{3}{4}$ " screws.







## **Ten Year Limited Warranty Vinyl Rail Gate Kit (Gate Frame, Hinges, Latches & Hardware)**

What is covered: Barrette Outdoor Living warrants vinyl and aluminum products to include; vinyl and aluminum fence, vinyl and aluminum railing and plastic lattice against defects or workmanship for as long as you own your home. Barrette Outdoor Living will at its option replace the product in question with new product of the same or equivalent value at no charge. Barrette Outdoor Living warrants these products against peeling, flaking, splintering, corrosion, rusting or abnormal discoloration under normal use and service per ASTM D 2244. This warranty extends to the original purchaser or transferee as specified herein on the products noted above. Separate and distinct warranties for hardware and other products are not covered under this warranty.

What this warranty does not cover: This limited warranty does not cover damage resulting from accident, unreasonable use, neglect, alteration, improper service, improper installation, acts of God or any other causes not arising out of defects in materials or workmanship. Additionally, this warranty does not cover costs of installation, removal, reinstallation or surface mold and mildew created by excessive environmental conditions. Any service or repair provided outside the scope of this limited warranty shall be at Barrette Outdoor Living's rate and terms then in effect.

What do we do to correct the problems? Should your Barrette Outdoor Living product prove defective under warranty, reference the website or call the phone number listed below. Your problem will be assigned a tracking number and an authorized Barrette Outdoor Living representative will contact you to arrange a convenient time to schedule an onsite inspection, or request pictures, if need be. If after inspection product is deemed to be manufacturer defect we will make arrangements to rectify the issue. You must have proof of your purchase in order for the problem to be corrected.

Transferee Coverage: Warranty coverage will be extended to one transferee on the above listed products with the following limitations. Transferee must obtain an original or copy of the initial sales receipt (with proof of date) from the previous owner(s). Additionally, if fence is purchased from a builder or installer, documentation must be supplied that names the product installed on property and date of transfer.

THIS WARRANTY IS IN LIEU OF ALL CONDITIONS OR WARRANTIES, EXPRESS, OR IMPLIED INCLUDING BUT NOT LIMITED TO ANY IMPLIED CONDITIONS OR WARRANTIES OR MERCHANTABILITY OR FITNESS FOR A PARTICULAR PURPOSE ON THE PART OF Barrette OR ITS LICENSORS, SOME STATES DO NOT ALLOW THE EXCLUSIONS OF IMPLIED WARRANTIES OR LIMITATIONS OF HOW LONG AN IMPLIED WARRANTY LASTS, SO THE ABOVE LIMITATIONS MAY NOT APPLY TO YOU. IF THE PRODUCT IS DEFECTIVE PER THE ABOVE COVERAGES, YOUR SOLE AND EXCLUSIVE REMEDY SHALL BE REPAIR OR REPLACEMENT AS PROVIDED ABOVE. BARRETTE AND ITS LICENSORS SHALL NOT BE LIABLE FOR ANY DAMAGES, LOSS OF USE, LOSS OF PROFITS OR INTERRUPTION OF BUSINESS WHETHER SUCH ALLEGED DAMAGES ARE BASED IN WARRANTY, TORT, CONTRACT, OR INDEMNITY. SOME STATES DO NOT ALLOW THE EXCLUSION OF LIMITATIONS OF INCIDENTAL OR CONSEQUENTIAL DAMAGES, SO THE ABOVE LIMITATIONS MAY NOT APPLY TO YOU. This warranty is valid only in the United States and Canada.

Refer to [www.BarretteOutdoorLiving.com](http://www.BarretteOutdoorLiving.com) for specific details about warranty limitations.  
1-800-336-2383

To register your product, please visit: [www.barretteoutdoorliving.com/product-registration](http://www.barretteoutdoorliving.com/product-registration)

