

# HOME DECORATORS COLLECTION

MANHATTAN MODULAR STORAGE  
SHOE SHELF 40"Hx21"Wx17"D CHERRY/WHITE

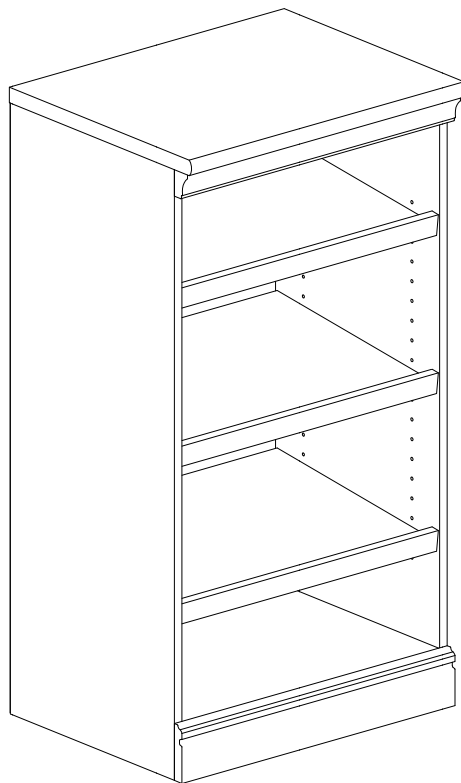
## Assembly Instructions

---

HDC #:9155800120/9155800410  
MFG #:WSHCSSU&WSHWSSU

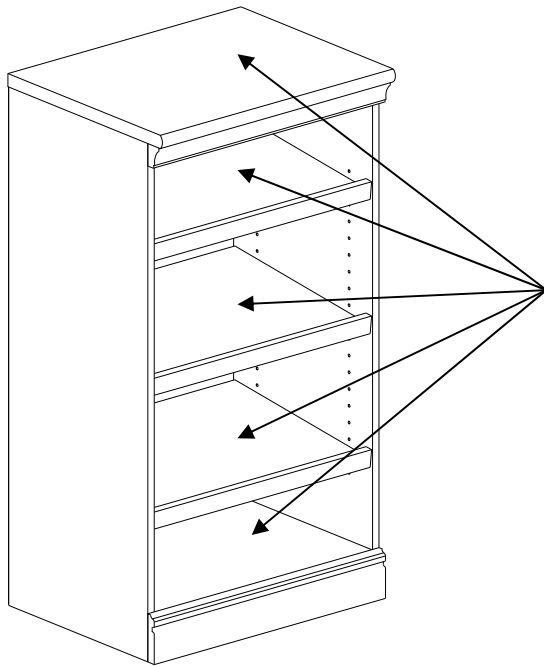
Please read over the instructions; it will be a  
time-saver in the long run.

Note: Before Assembly, please be sure to work on a soft flat  
surface to avoid any damage to the finish.



THIS INSTRUCTION BOOKLET CONTAINS **IMPORTANT** SAFETY INFORMATION.  
PLEASE READ AND KEEP FOR FUTURE REFERENCE.

## MAXIMUM RECOMMENDED WEIGHT LOADS



MAXIMUM LOAD: 30 LBS. (13.6KG)

### **⚠ WARNING**

This unit is intended for use only with the maximum weights indicated. Use with products heavier than the maximum weights indicated may result in instability causing possible injury.



### **WARNING**

**Serious or fatal crushing injuries can occur from furniture tip-over.**

**To help prevent tip-over:**

- Place heaviest items in the lowest drawer, shelf.
- Do not set TVs or other heaviest objects on the top of this product.
- Never open more than one drawer at a time and never allow children to climb or hang on drawers, doors, or shelves.

**Use of tip-over restraints may only reduce, but not eliminate, the risk of tip-over.**

*This is a permanent label. Do not attempt to remove!*

## ASSEMBLY TIPS

Read all instructions **BEFORE** assembly.

Remove all hardware from box and sort by size.

Check to see that all hardware and parts are present **BEFORE** assembling.

Ask a friend to assist you with the assembly of this furniture.

To avoid damage, assemble the unit on a sturdy, level and non-abrasive surface.

Please wait until all steps are completed before tightening bolts.

Make sure all bolts are tightly fastened before the unit is used.

Please call for replacement parts or assistance: 1-866-942-5362

Whalen Storage

Factory No.: 15548

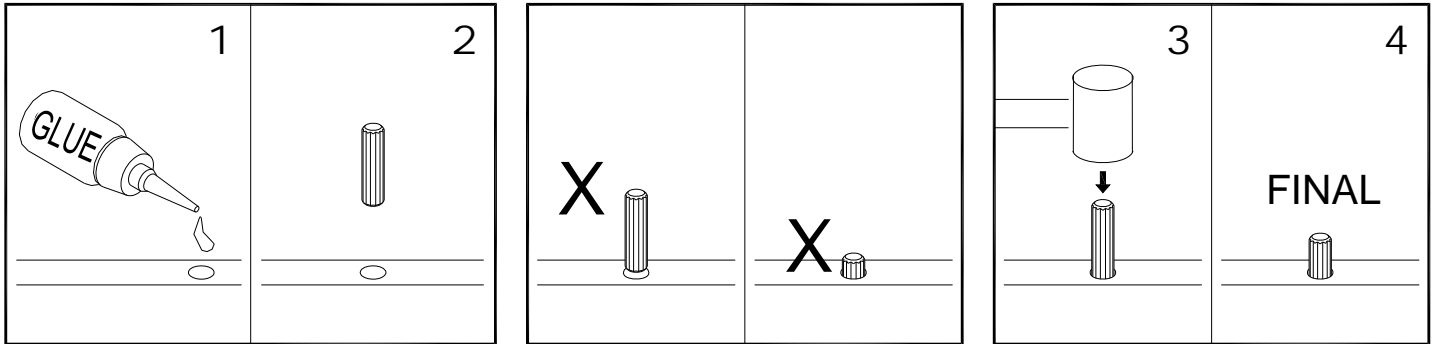
Page #2 of 11

## Important

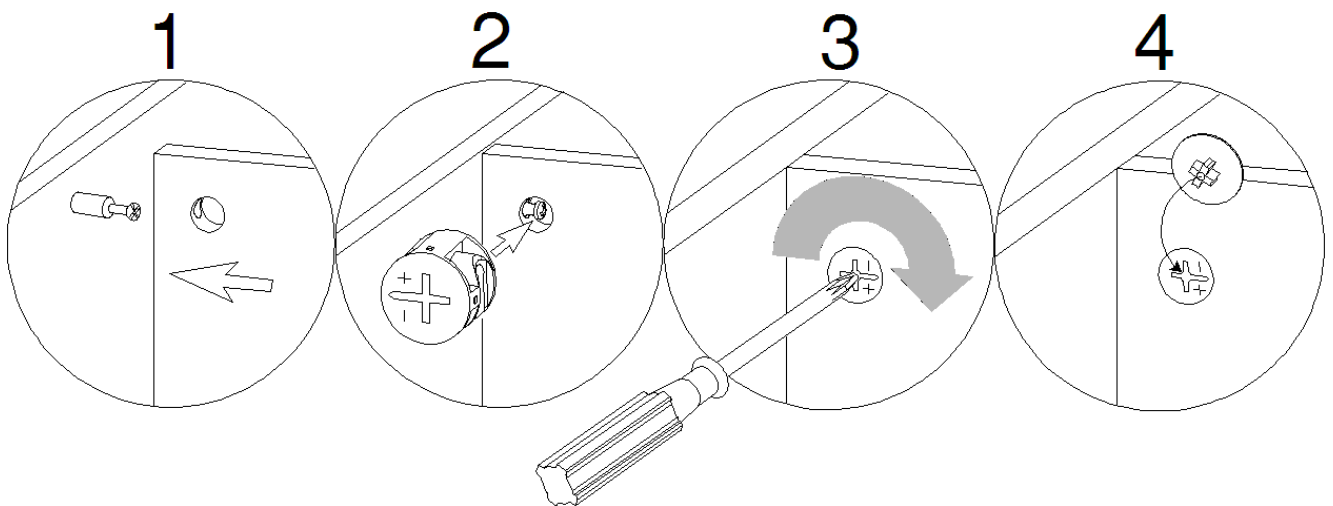
Before you begin: Open, identify and count all parts prior to assembly. Lay out parts on a flat and non-abrasive surface. You will need the parts identified on page 3 and 4 of this instruction manual.

NOTE: IT IS VERY IMPORTANT TO USE GLUE WITH DOWELS. EXCESS GLUE CAN BE WIPED OFF WITH DAMP CLOTH.

Insert Dowel at least half way by tapping lightly with a rubber mallet, IF NECESSARY.



## CAM LOCK SYSTEM OPERATION



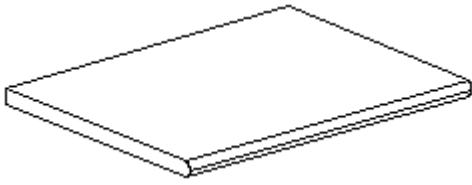
## HOW THE KNOCK DOWN (KD) ASSEMBLY SYSTEM WORKS

1. Screw the Cam Bolt into the threaded inserts on the panel. Connect both panels together; making sure Cam Bolt goes into the pre-drilled hole on the end of panel for Cam Lock.
2. Insert the Cam Lock into the pre-drilled large hole on the panel. Make sure the arrow on the face of Cam Lock faces out and points towards Cam Bolt.
3. Take a Phillips screwdriver and rotate the Cam Lock clockwise to lock the Cam Bolt in place.
4. Plug the Cam Lock Cover into the cross slot of the Cam Lock to conceal the Cam.

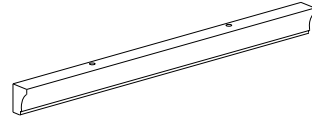
You are now ready to assemble the KD unit.

## Parts List

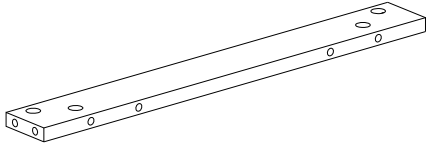
Please read completely through the instructions and verify that all parts listed are present before beginning assembly.



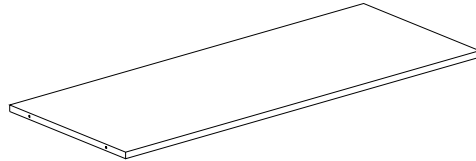
1-Top Panel (x 1)



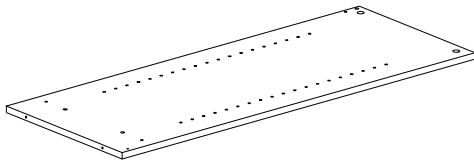
2- Upper Front Molding (x 1)



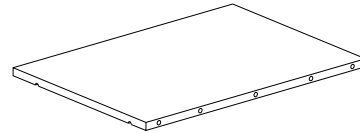
3- Stretcher (x 1)



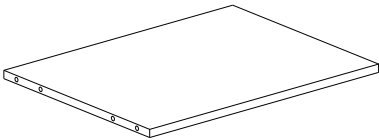
4-Side Panel Left (x 1)



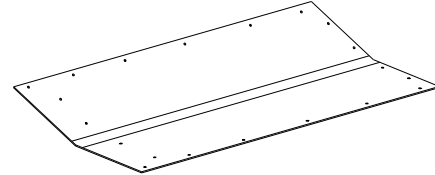
5- Side Panel Right (x 1)



6- Adjustable Shelf (x 3)



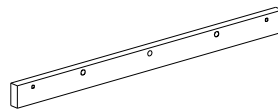
7- Bottom Panel (x 1)



8- Back Panel (x 1)



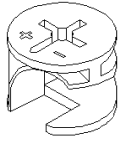
9- Lower Front Molding (x 1)



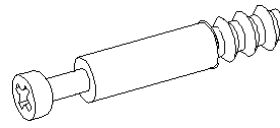
10- Adjustable Shelf Front Molding (x 3)

## Hardware List

Please read completely through the instructions and verify that all hardware listed are present before beginning assembly.



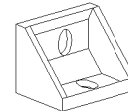
A-Cam Lock (x 21)



B- Cam Bolt (x 21)



C- M8x30 mm Dowel (x 20)



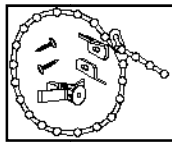
D- Plastic Connector (x 6)



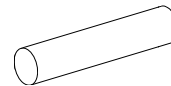
E- M3.5x12 mm Pan Head Screw (x 12)



F- M2x19 mm Pan Head Screw (x 20)



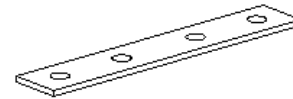
G- Tipping Restraint Hardware (x 2)



H- Shelf Pin (x 12)



I- Plastic Cover (x 13)



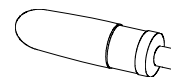
J- Metal Plate (x 2)



K- M4x16 mm Pan Head Screw (x 8)



L- Floor Protector (x 4)



M- Glue (x 1)

Tools required(not provided): Rubber mallet, Phillips screwdriver, Power drill

Please call for replacement parts or assistance:1-866-942-5362

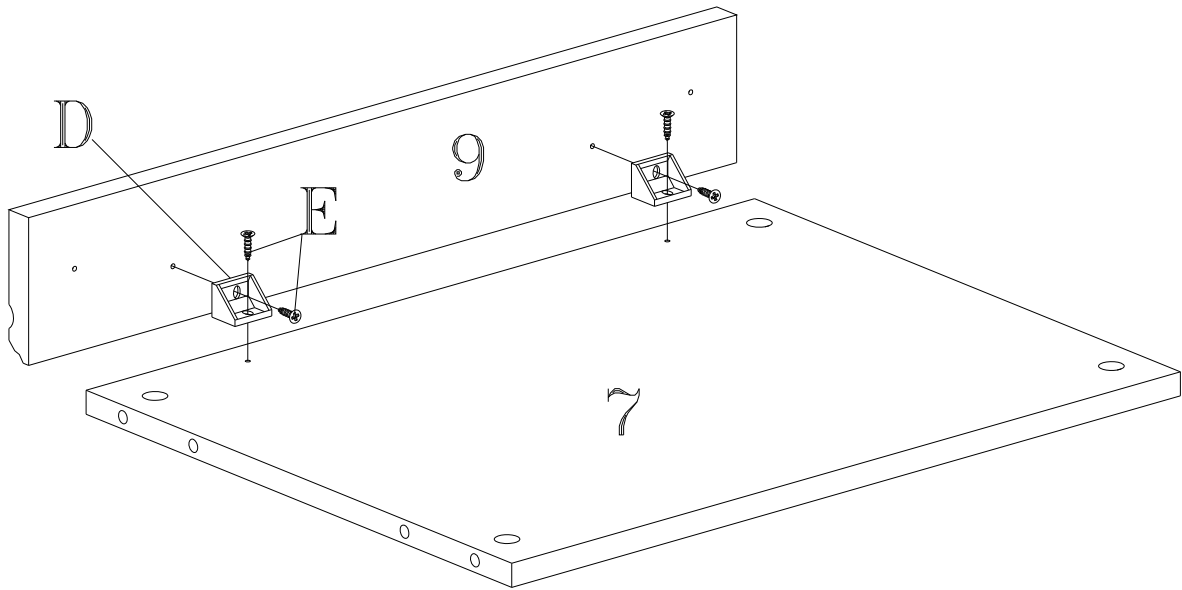
Whalen Storage

Factory No.: 15548

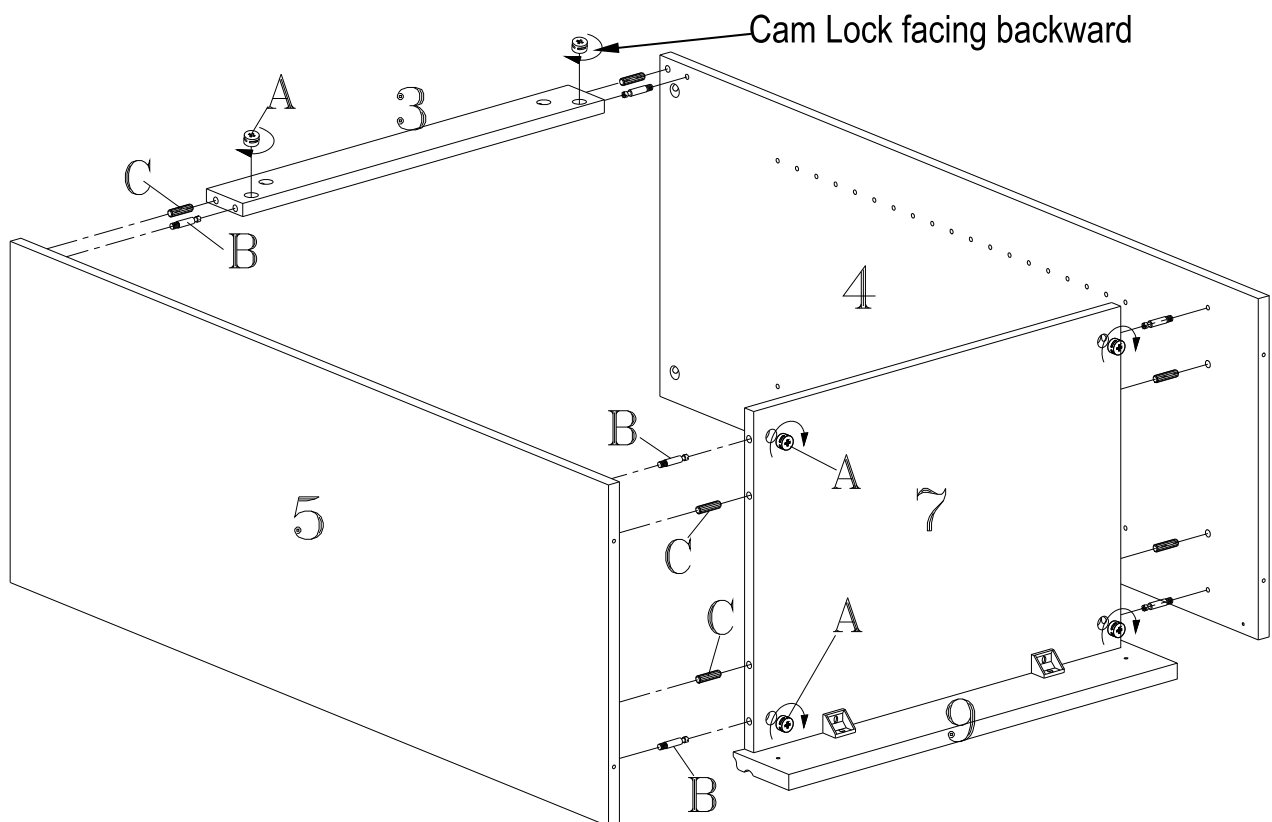
Page #5 of 11

## Assembly Instructions

1. Connect Lower Front Molding (9) to Bottom Panel (7) by attaching 2 Plastic Connectors (D) at the joint with M3.5x12 mm Pan Head Screw (E), using the pilot holes as a reference. Tighten the Screws with the Phillips Screwdriver.

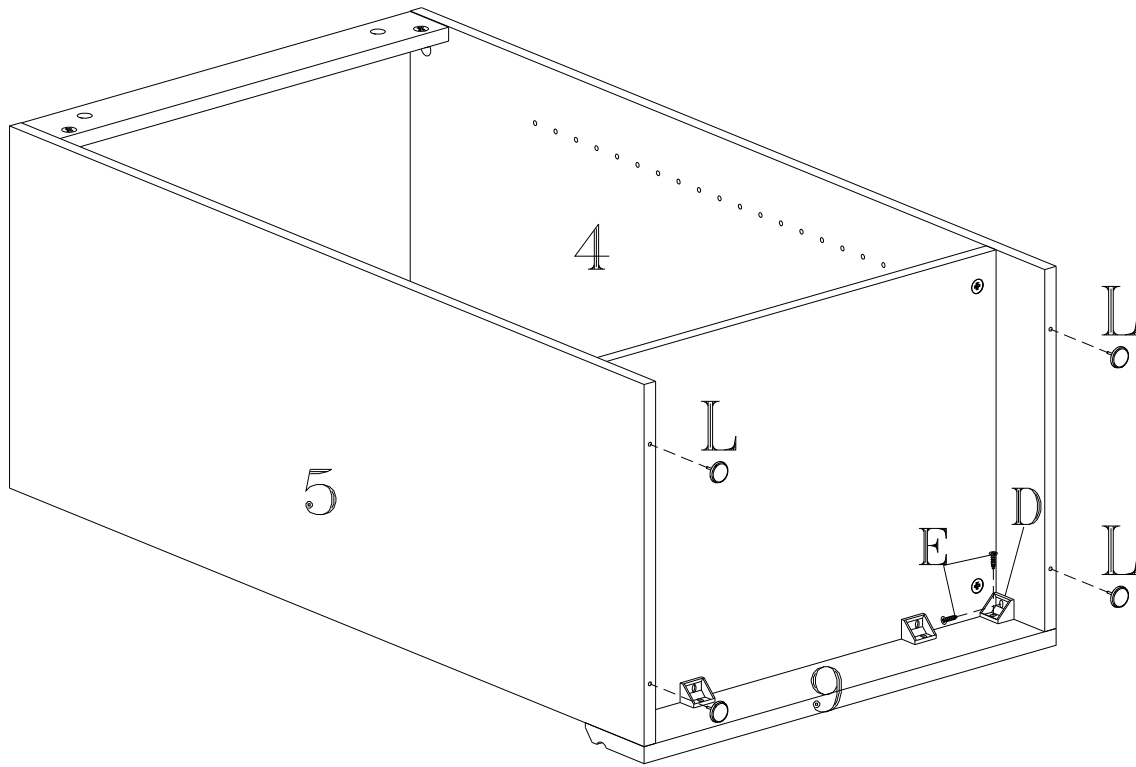


2. Screw 3 Cam Bolts (B) all the way into the small holes located on Side Panel Left (4) as shown below. Insert the M8x30 mm Dowel (C) into the end holes as a guide, attach both Bottom Panel (7) and Stretcher (3) to the Side Panel Left (4) by engaging Cam Locks (A).
3. Repeat last step with Side Panel Right (5).

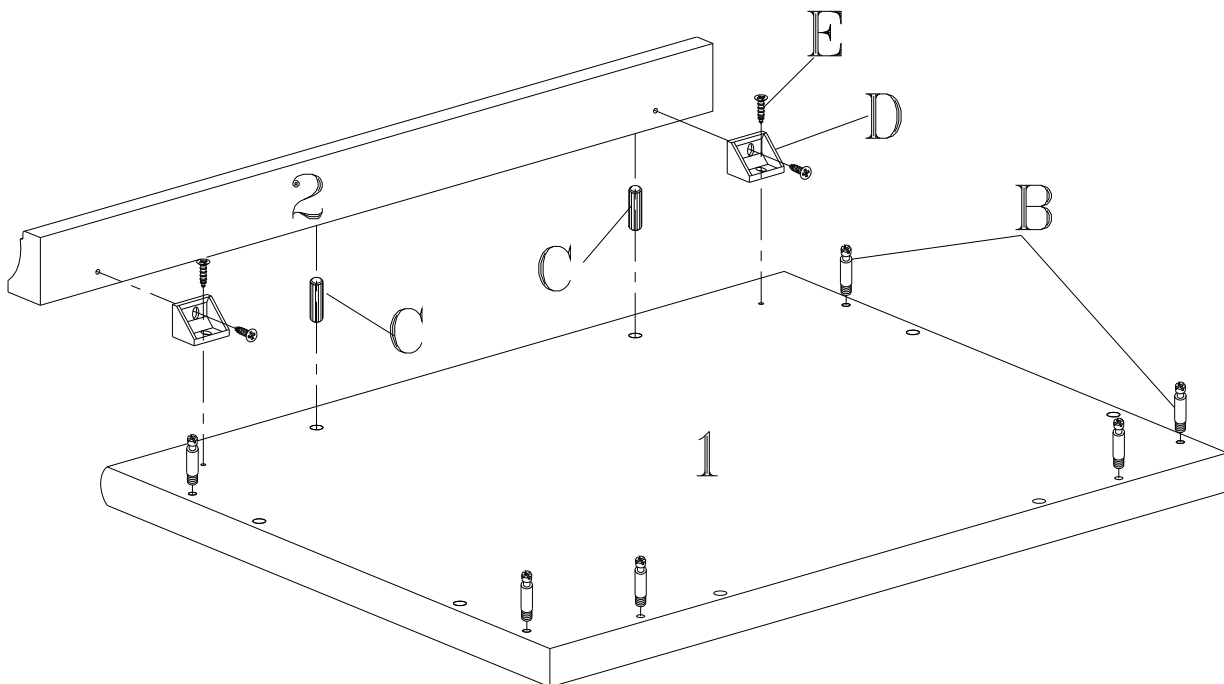


## Assembly Instructions

- Secure Lower Front Molding (9) to the Side Panels (4 & 5) by attaching 2 Plastic Connectors (D) at the joints with the M3.5x12 mm Pan Head Screws (E) into the pilot holes.
- Gently tap the Floor Protectors (L) at the bottom of side panels avoiding crack or damage of side panel.

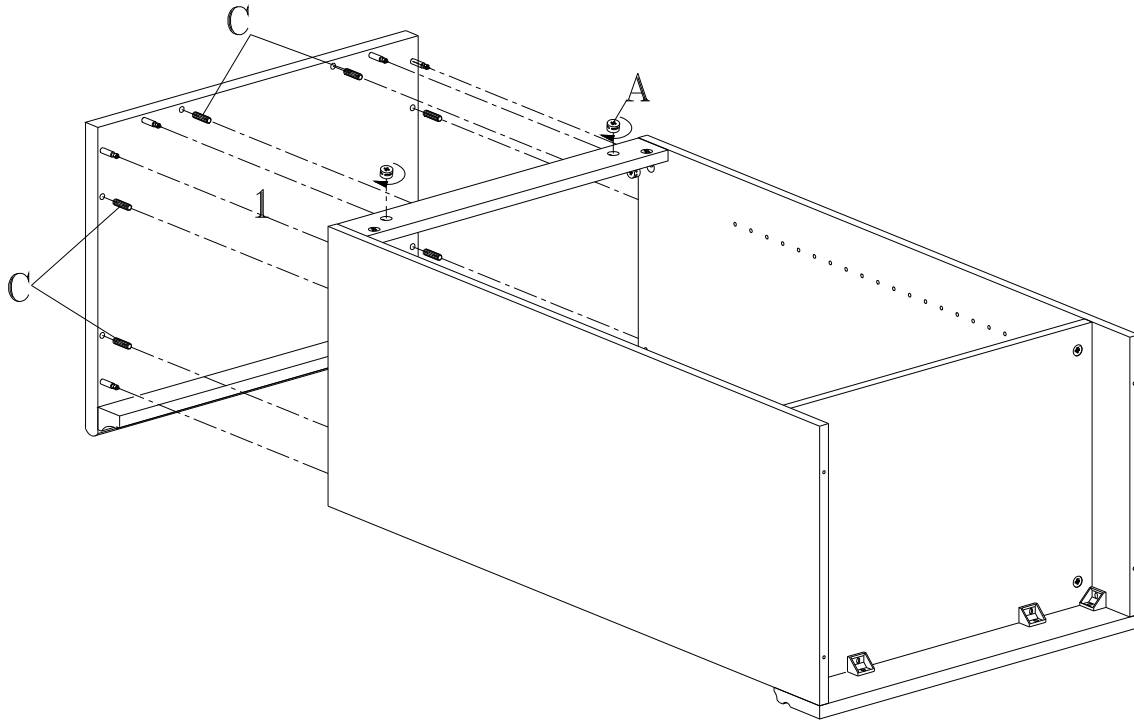


- Attach Upper Front Molding (2) to Top Panel (1) by using two M8x30 mm Dowel (C) and 2 Plastic Connectors (D). Fasten each Plastic Connector (D) by screwing two M3.5x12 mm Pan Head Screws (E) into the pilot holes.
- Screw 6 Cam Bolts (B) all the way into the pre-drilled small holes of Top Panel (1) as shown below.

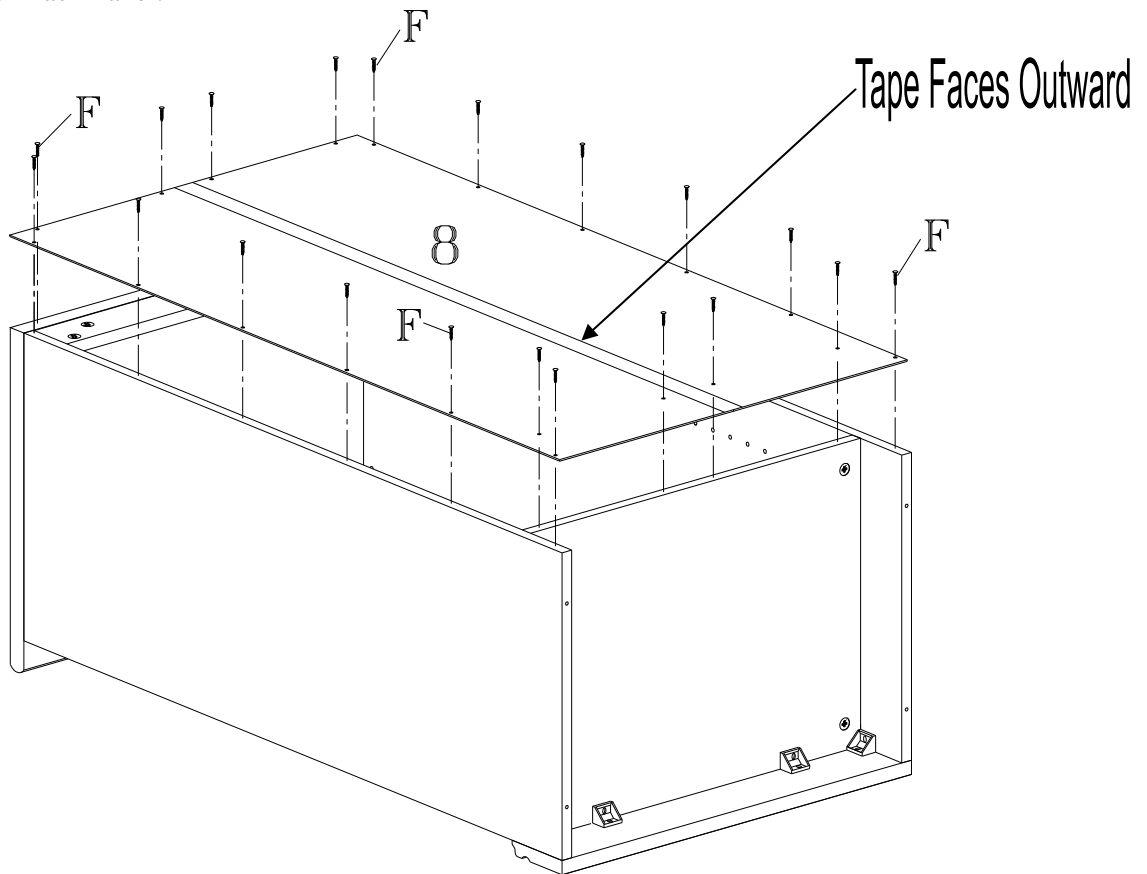


## Assembly Instructions

8. Insert the M8x30mm Dowels (C) into the middle holes as a guide, attach the Top Panel (1) to assembled frame by engaging 6 Cam Locks (A) as shown below.



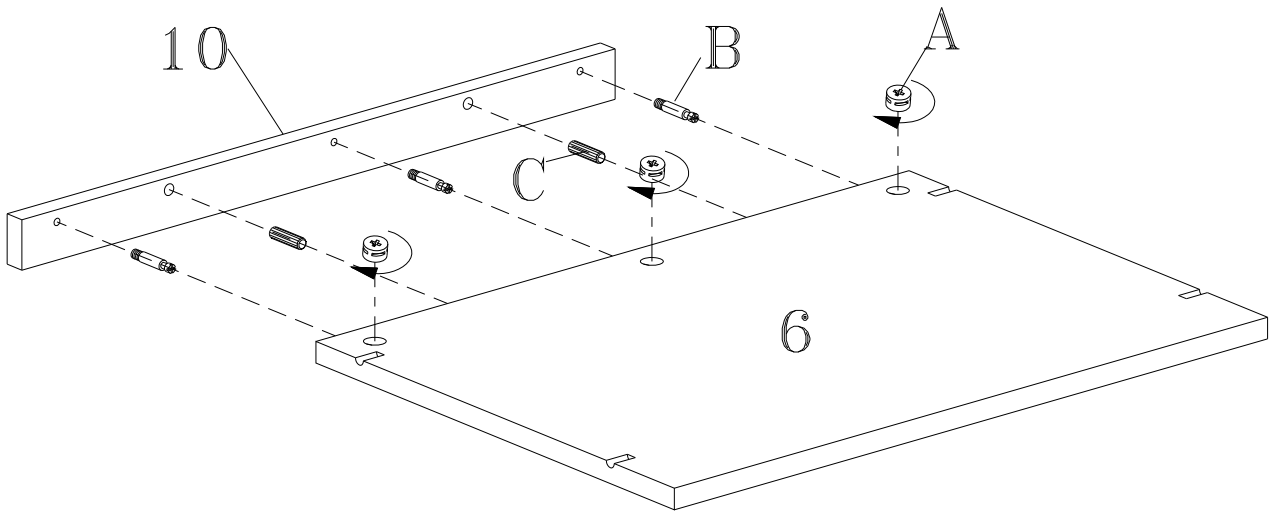
9. Expand the Back Panel (8) and lay it onto the back edges of assembled frame making sure the margins along all edges are equal. Attach the Back Panel in place by using M2x19 mm Pan Head Screws (F) through the pre-drilled holes of Back Panel.



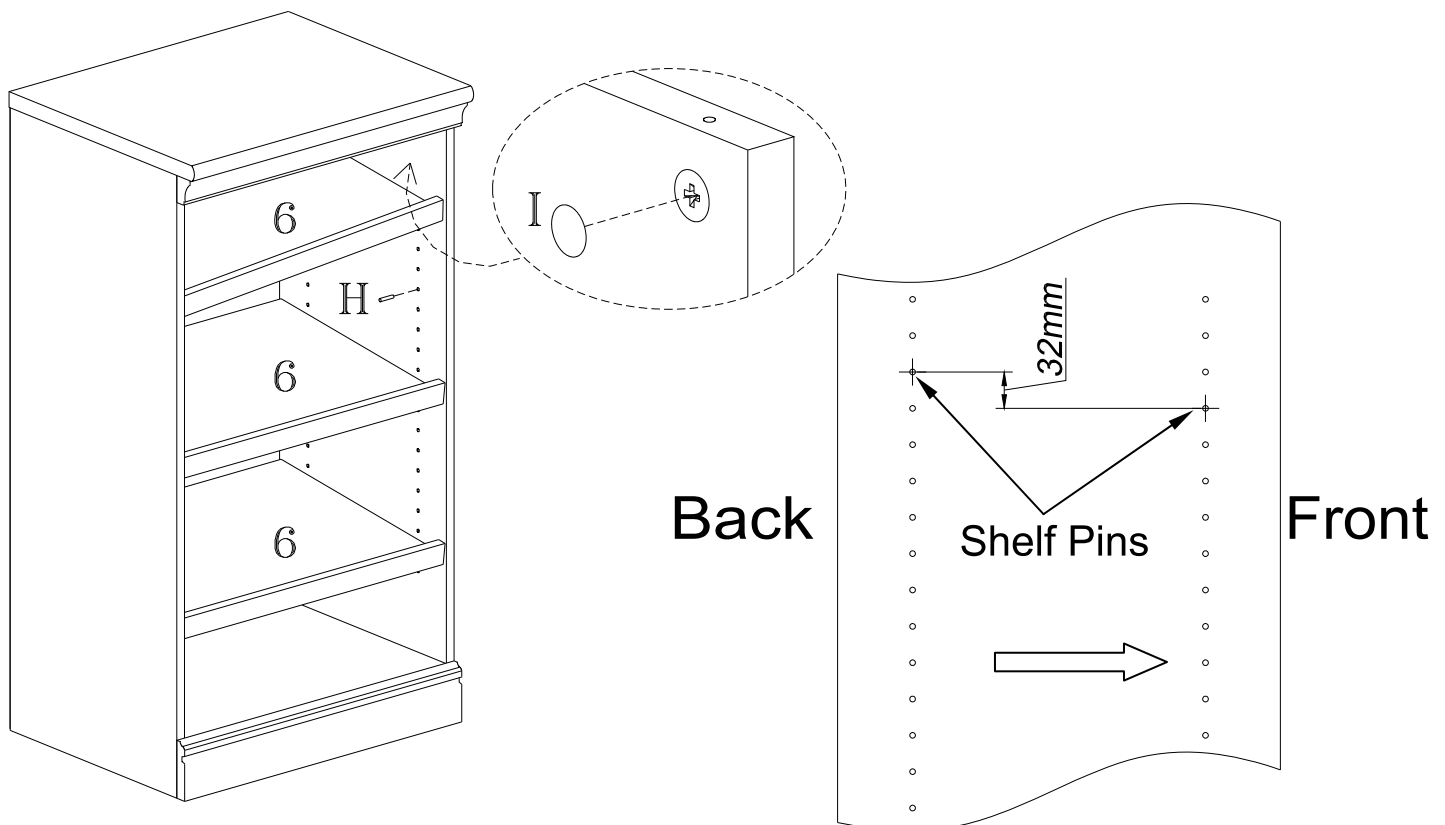


## Assembly Instructions

10. Screw 3 Cam Bolts (B) all the way into the small holes located on Adjustable Shelf Front Molding (10). Insert the M8x30mm Dowels (C) into the middle holes as a guide, attach the Adjustable Shelf Front Molding (10) to Adjustable Shelf (6) by engaging 3 Cam Locks (A) as shown below.



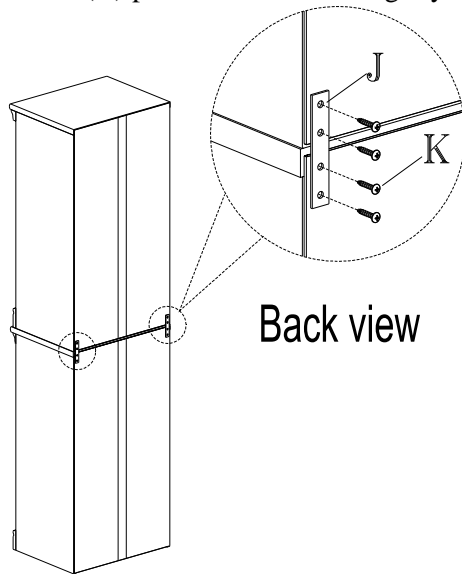
11. Repeat last step with other Adjustable Shelves (6).
12. Stand the unit upright. Set the Shelf Pins (H) at your desired height as shown below. Tilt and rest the Adjustable Shelves (6) onto the Shelf Pins (H), Make sure the notches underneath the shelf fit on the shelf pins.
13. Plug Plastic Covers (I) to cover the visible Cam Locks inside the cabinet.



## Assembly Instructions

**NOTE: If you buy more than one unit, the stacking configuration can be available.**

- This cabinet featured stacking configuration. Repeat the same procedure to assemble the other shoe shelf unit. Place one unit on the top of the other base unit making sure it is centered properly and back edges are even. Using the Metal Bracket (J) as a template, mark the mounting hole locations at the back side of the Base Top Panel and Hutch Side Panels, as shown in the illustration. With an electric drill and 1/16" drill bit (not included), carefully drill into the marked location about 1/2" deep. Make sure that you will not crack the side edges.
- To secure the units in place, attach the Metal Brackets (J) over the drilled holes using four M4x16 mm Pan Head Screw (K) per Metal Bracket. Tightly fasten all the screws with a Phillips screwdriver.



NOTE: The Metal Brackets provide an important safeguard against accidents. Make sure you attach the provided Metal Brackets to the units with the screws to prevent the units from falling over.

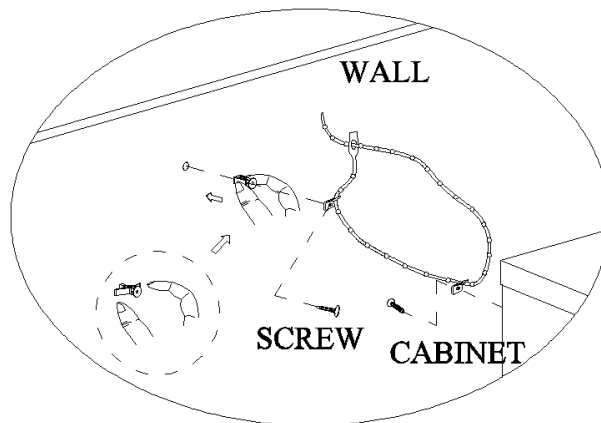
## TIPPING RESTRAINT HARDWARE

We have included one Tipping Restraint Hardware bag for this unit. You must install this hardware to prevent accidents or injuries from falling unit.

When properly installed, this restraint can provide protection against the unexpected tipping of the storage rack due to small tremors, bumps or climbing. We strongly recommended mounting this hardware to a wall stud and your unit.

Please carefully read the instructions printed on the bag.

*Note: You must install the Tipping Restraint Hardware with the unit in use to prevent any accidents or damage to the unit.*



**Tools Required: Phillips Screwdriver, Mallet, Power Drill, and 3/8" Drill Bit.**

## Care and Maintenance

- Use a soft, clean cloth that will not scratch the surface when dusting.
- Use of furniture polishes is not necessary. Should you choose to use polishes, test in an inconspicuous area first.
- Using solvents of any kind on your furniture may damage the finish.
- Never use water to clean your furniture as it may cause damage to the finish.
- Always use coasters under beverage glasses and flowerpots.
- Liquid spills should be removed immediately. Using a soft clean cloth, blot the spill gently. Avoid rubbing.
- Always use protective pads under hot dishes and plates. Heat can cause chemical changes that may create spotting within the furniture finish.
- Stains or marks from crayons or ink markers will be difficult to remove.
- In the event that your furniture is stained or otherwise damaged during use, we recommend that you call a professional to repair your furniture.
- Check bolts/screws periodically and tighten them if necessary.

### Further advice about wood furniture care

It is best to keep your furniture in a climate controlled environment. Extreme temperature and humidity changes can cause fading, warping, shrinking and splitting of wood. It is advised to keep furniture away from direct sunlight as may damage the finish.

Proper care and cleaning at home will extend the life of your purchase. Follow the important and helpful tips that will enhance your furniture as it ages.

We hope you enjoy your purchase for many years.

Thank you for your purchase.