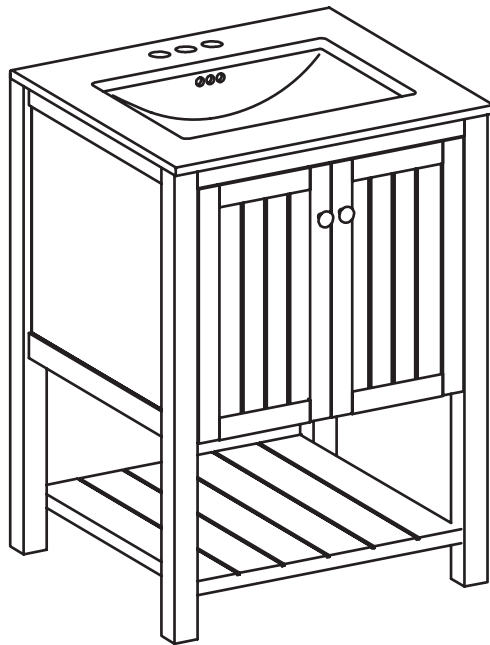


USE AND CARE GUIDE

CRANBURY 24 IN. VANITY IN COOL GRAY WITH VITREOUS CHINA VANITY TOP IN WHITE



Questions, problems, missing parts? Before returning to the store,
call Home Decorators Collection Customer Service
8 a.m. - 6 p.m., EST, Monday - Friday

1-800-986-3460

[HOMEDEPOT.COM/HOMEDECORATORS](https://www.homedepot.com/homedecorators)

THANK YOU

We appreciate the trust and confidence you have placed in Home Decorators Collection through the purchase of this vanity. We strive to continually create quality products designed to enhance your home. Visit us online to see our full line of products available for your home improvement needs. Thank you for choosing Home Decorators Collection!

Table of Contents

Table of Contents	2	Pre-Installation	3
Safety Information.....	2	Planning Installation	3
Warranty.....	2	Installation	5
What is covered.....	2	Door Adjustment	7
What is not covered.....	2	Care and Cleaning.....	8


Safety Information


SPECIFIC SAFETY RULES AND PRECAUTIONS


Please read over the instructions; it will be a time-saver in the long run. Before working with the vanity, please be sure to work on a soft flat surface to avoid any damage to the finish.

This product must be installed in strict compliance with local plumbing codes.

- Vitreous china tops are in compliance with UPC, cUPC and IPC.
- Products are in compliance with ASME A112.19.2-2008/CSA B45.1-08.
- Vitreous china products have been tested by an IAPMO R&T recognized laboratory.
- Follow standard bathroom clearance procedures.
- Shut off the water supply lines at the bathroom, or at the home's main supply if necessary.
- Ensure the room is well-lit and safe for occupants of all ages.

 **DANGER:** Indicates an imminently hazardous situation, which, if not avoided, will result in death or serious injury.

 **WARNING:** Indicates a potentially hazardous situation, which, if not avoided, could result in death or serious injury.

 **CAUTION:** Indicates a potentially hazardous situation which, if not avoided may result in minor or moderate injury.

NOTICE: Improper installation may create a condition where the operation of the product could cause personal injury or property damage. Failure to carefully read and follow all instructions in this manual can result in personal injury and/or property damage.

Warranty

LIMITED LIFETIME

WHAT IS COVERED

All products in the package carry a One-Year Limited Lifetime warranty. This warranty applies only to the original purchaser and to the original installation of the product.

WHAT IS NOT COVERED

Damage caused during moving or during installation is not a defect or warranty issue and will not be considered as such. This warranty does not cover product failure caused by abusive treatment, surface scratches, misuse, neglect or damage due to handling or faulty installations. All wood naturally ages, darkens, changes in color, and mellows over time due to exposure to light. While this color change is imperceptible from day to day, it may be significant over a long period of time, or due to amount of light the wood is exposed to. Imperfections such as small surface splits, small dark holes or darker mineral streaks are natural and are not considered defects.

Contact the Customer Service Team at 1-800-986-3460 or visit www.homedepot.com/homedecorators.

Pre-Installation

PLANNING INSTALLATION

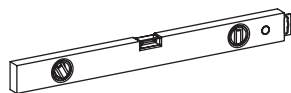
There may be some issues during the installation of your new vanity. It is highly recommended that before you undergo this task, take a moment to pre-plan the installation.

TOOLS REQUIRED

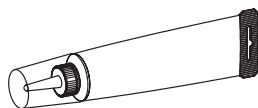
 **NOTE:** Tools that may be required during installation.



Phillips screwdriver




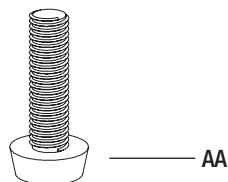
Level



Silicone Compound

HARDWARE INCLUDED

 **NOTE:** Hardware not shown to actual size.



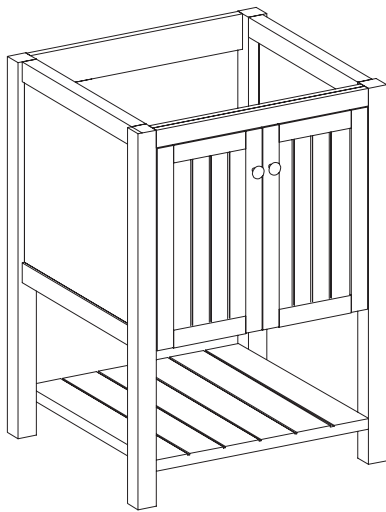
Part	Description	Quantity
AA	Leg levelers (pre-installed on legs)	4

MATERIALS REQUIRED

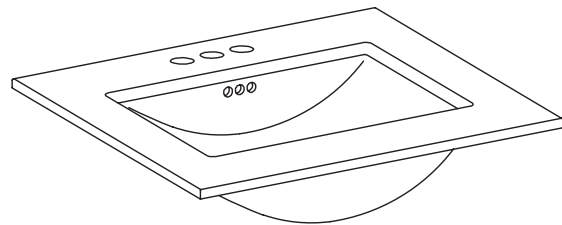
Description	Quantity
Wood screws	2
2" x 6" lumber (cut to fit between studs)	1
5/16" Lag Bolts (min 250lbs) load bearing	2
Washers for Lag Bolts	2

Pre-Installation (continued)

PACKAGE CONTENTS



——— A



——— B

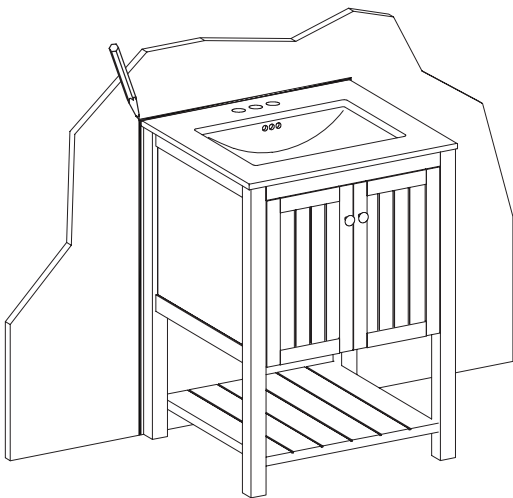
Part	Description	Quantity
A	Cabinet body	1
B	Vitreous china vanity top	1

Installation

1 Tracing the outline of the vanity

Determine the ideal location for your new bath furniture.

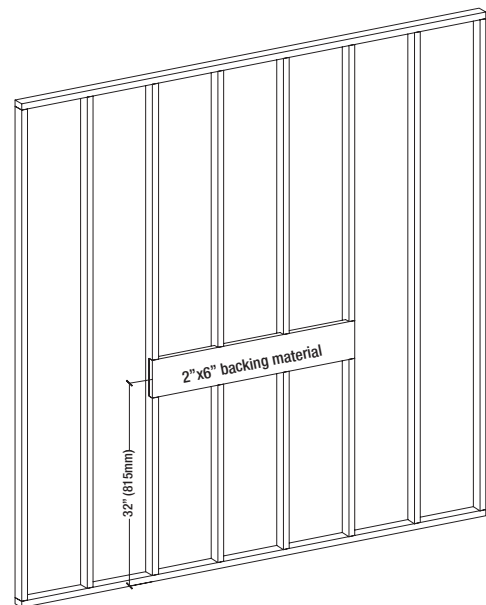
- Trace its outline on the wall.
- Use a stud finder to locate the studs to which you will attach the vanity.
- With a level, draw lines along the studs from the floor to the top of the vanity. These lines will help you spot where to place the screws in Step 3.



2 Installing Support for Vanity

Provide 2x6 backing material behind the finished wall to properly support the vanity.

- To properly secure the vanity, the middle of the required 2x6 backing material must be 32" (815mm) from the finished floor.
- Extend the backing material beyond the width of the vanity to the nearest stud. This will ensure proper support for the vanity.
- Front-notch the studs to ensure the 2x6 backing material is flush against the studs.
- Secure the 2x6 backing material to the studs with framing nails.
- Rough-in the water supply and drain lines into the rough-in plumbing areas of the vanity.

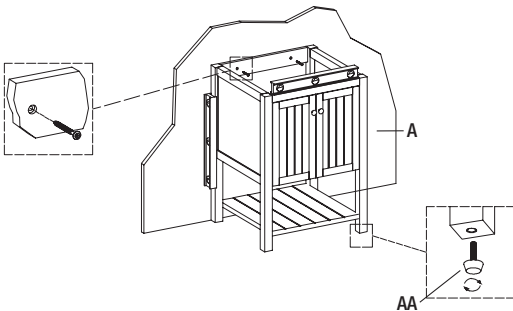


NOTICE: To avoid the risk of product damage, the finished wall must be straight and plumb. If the finished wall is not straight and plumb, the vanity will not be properly supported and will cause misalignment of the sink and door.

Installation (continued)

3 Attaching the vanity

- Verify the vanity is level and back rail is plumb against the wall. If necessary, turn the leg levelers (AA) to adjust the vanity.
- Using drill bit, drill two pilot holes through the back rail and the finished wall. Verify the pilot holes are positioned to ensure the lag bolts will engage the 2x6 backing material.
- Secure the vanity to the finished wall with two 5/16" lag bolts and washers (not provided).

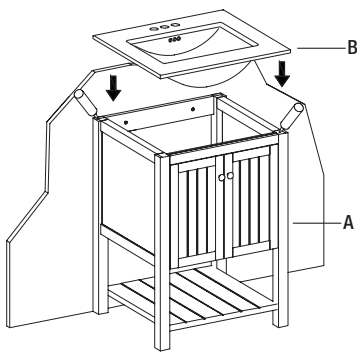


4 Installing the faucet to the vanity top

- Follow the manufacturer's instructions to install the faucet and drain assembly to the vanity top.

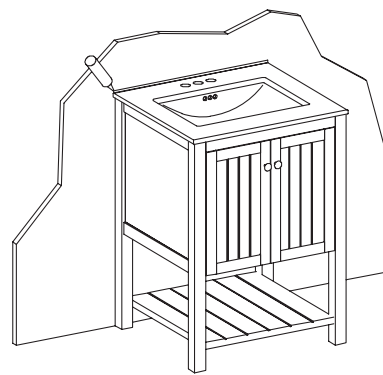
5 Securing the vanity top

- Place the vanity top (B) over the vanity (A).
- Make sure the wall is straight and there are no gaps between the wall and vanity top (B).
- Remove the top (B) and apply a small bead of silicone compound to the top of the cabinet before the vanity top is set into position.
- Firmly press the vanity top (B) into position; check the level and evenness across the front of the vanity (A), and make sure the vanity top (B) is flush to the wall.



6 Reconnecting the water supply

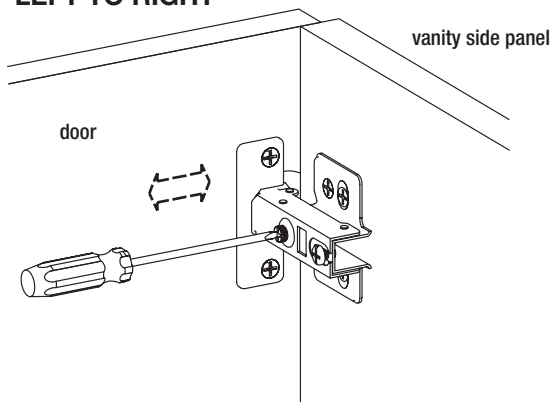
- Apply a small bead of silicone compound to the backside of the vanity top (B).
- Reconnect the faucet supply lines to the water supply and reconnect the p-trap.
- Install the pop-up drain.
- Turn on the water supply or the home's main water supply and test for leaks.



Door Adjustment

Refer to the illustration and note on the screwdriver location for the desired adjustment.

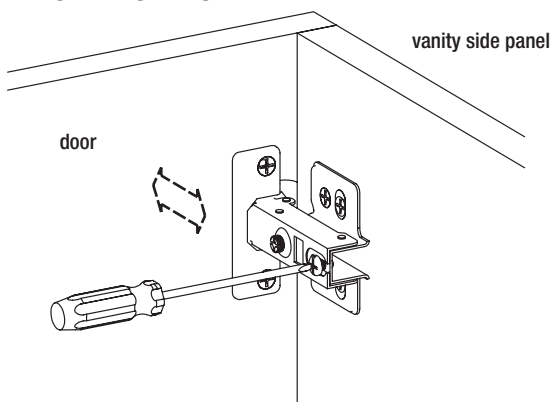
LEFT TO RIGHT



If the gap between the door and vanity side panel needs adjustment, turn the screw closest to the door clockwise or counter clockwise.

Make sure to adjust both the top and bottom hinges to keep the door level.

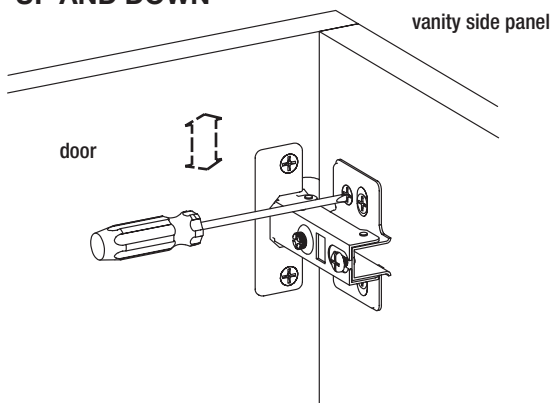
FRONT TO BACK



If the door is not aligned perfectly with the vanity frame, turn the screw closest to the vanity side panel clockwise or counter clockwise.

Make sure to adjust both the top and bottom hinges to keep the door level.

UP AND DOWN



If the gap above or below the door needs adjustment, turn the screw that is mounted to the hinge plate of the vanity side panel.

Loosening the screw allows the door to move up or down.

Both hinges of the door need to be loosened to adjust the door.

Remember to tighten the hinges after the door is in place.

Care and Cleaning

WOOD DOORS AND PANELS

Dust cabinets frequently with a soft, lint-free cloth. You may dampen the cloth with water or with a spray-type dust remover. Clean up spills immediately. Use a clean, damp cloth if necessary. Wipe dry with another clean soft cloth. Cloth is better than paper towels for this purpose.

For maintenance cleaning of your cabinetry, there are a number of products available for your wood cleaning needs, typically promoted as furniture care products. We suggest using mild soap with a damp cloth to remove any build up on cabinets. Any product used should be applied and then quickly and completely removed with a damp cloth. Dry the cabinet completely after cleaning as excess moisture can be damaging to any fine wood finish. In addition, do not drape wet or damp cloths over the edge of doors.

Do not use detergents, soap pads, steel wool or any other type of abrasive pad on your cabinetry. These products will damage the wood finish. We also suggest not using citrus oils, wax, or polishes that contain silicone because they leave a residue that is sometimes difficult to remove and attracts dust. Finally, do not use solvents such as ammonia, bleach, acetone, lacquer thinner or cleaners such as goof-off or WD40, all of which may damage or dissolve some or all of the finish.

LAMINATES

You can clean all laminated surfaces by using a damp, soft cloth. Do not use excessive amounts of water, it will seep into the seams of the cabinet. Sink base cabinets are the most common cabinet to have water damage and can usually be protected with a plastic liner or pan.

PREVENTING HEAT OR HUMIDITY DAMAGE

The bathroom environment is very common place for humidity. It is very important to dissipate the humidity in the room and not let it stay for long periods of time. If higher temperature settings are used for extended periods of time, the heat may be excessive and the doors and drawer fronts should be removed. This is particularly important on laminated panels, which cannot be exposed to extended temperatures beyond 160 degrees Fahrenheit without risking permanent damage.

SUNLIGHT AND AGING

Over time, exposure to sunlight, smoke and chemicals may cause some materials to fade or vary from their original color. Cabinets or accessories added at a later date may not match cabinets previously installed. For the same reason, finish samples on displays may not represent the exact color of cabinets received at the time of shipment.

VITREOUS CHINA

Vitreous china vanity tops and sinks are very durable. The glazing process provides years of enjoyment if cared for correctly. Rinse thoroughly and use a soft cloth to wipe the product dry after each use to prevent hard water stains. Soft abrasive cleaners may be used when necessary to clean vitreous china products.

GRANITE OR MARBLE TOPS

Natural stone is a porous material. Therefore, it may stain if not properly cared for. Granite countertops should be sealed before using. Follow the instructions on the sealer label. The easiest way to clean granite countertops is to simply use warm water and mild liquid dish soap, preferably without aromatics. This is a gentle way to clean the grease and grime from your granite counters without damaging them. If you use plain soap and water, this can lead to soap build up and over time, will dull the glossy finish of your polished granite. After cleaning you should rinse the countertop thoroughly and dry with a soft cotton cloth.

QUARTZ TOPS

Quartz is easy to maintain. It is a non-porous material that is highly resistant to stain, scratches and heat. However, it is not stain, scratch, or heat proof. Spills should be cleaned as soon as possible with soap and water on a regular basis to keep the polished quartz looking like new. Use warm water and a damp cloth with a small amount of non-abrasive cleaner that does not contain bleach.

HOME DECORATORS COLLECTION

Questions, problems, missing parts? Before returning to the store,

call Home Decorators Collection Customer Service

8 a.m.-6 p.m., EST, Monday - Friday

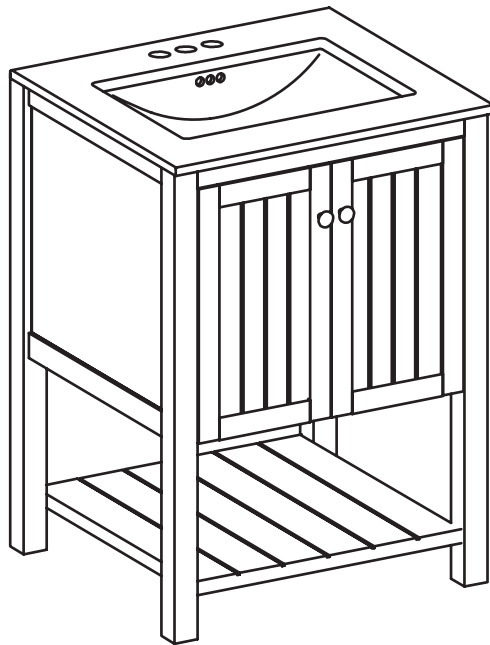
1-800-986-3460

[HOMEDEPOT.COM/HOMEDECORATORS](https://www.homedepot.com/homedecorators)

Retain this manual for future use.

GUÍA DE USO Y CUIDADO

CRANBURY 24 PLG. TOCADOR EN GRIS FRÍO CON CUBIERTA DE PORCELANA VÍTREA EN BLANCO



¿Tiene preguntas, problemas, o faltan piezas? Antes de regresar a la tienda, llame a Servicio al Cliente de Home Decorators Collection de lunes a viernes de 8 a.m. a 6 p.m., hora local del Este

1-800-986-3460

HOMEDEPOT.COM/HOMEDECORATORS

GRACIAS

Agradecemos la confianza que ha puesto en Home Decorators Collection a través de la compra de este tocador. Nos esforzamos por crear continuamente productos de calidad diseñados para mejorar su hogar. Visítenos en internet para ver nuestra línea completa de productos disponibles para sus necesidades de mejorar su hogar. Gracias por elegir a ¡Home Decorators Collection!

Tabla de contenido

Tabla de contenido	11
Información de seguridad.....	11
Garantía	11
Lo que está cubierto	11
Lo que no está cubierto.....	11

Pre-Instalación.....	12
planificación de la instalación	12
Instalación	14
Ajuste de puerta	16
Cuidado y limpieza	17

Información de seguridad

REGLAS PRECAUCIONES DE SEGURIDAD ESPECÍFICAS

Por favor, lea las instrucciones; le ahorrar tiempo a la larga. Antes de trabajar con el tocador, asegúrese de trabajar sobre una superficie plana y suave para evitar cualquier daño al acabado.

Este producto debe instalarse en estricto cumplimiento de los códigos de fontanería locales.

- Las cubiertas de porcelana vitrea están en conformidad con la UPC, cUPC e IPC.
- Los productos están en cumplimiento con ASME A112.19.2-2008/CSA B45.1-08.
- Los productos de porcelana vítrea han sido probados por un laboratorio IAPMO R & T reconocido.
- Siga los procedimientos estandares de espacio de baño.
- Cierre las líneas de suministro de agua en el baño, o en el suministro principal de la casa si es necesario.
- Asegúrese de que la habitación está bien iluminada y segura para los ocupantes de todas las edades.



PELIGRO: indica una situación peligrosa inminente que, si no se evita, resultará en muerte o lesiones serias.



ADVERTENCIA: Indica una situación peligrosa potencial que si no se evita, podría resultar en la muerte o lesiones serias.



PRECAUCIÓN: Indica una situación peligrosa potencial que, si no evita, puede resultar en lesiones leves o moderadas.

AVISO: La instalación inapropiada puede crear una condición donde la operación del producto podría causar lesiones personales o daños a la propiedad. No leer cuidadosamente y seguir todas las instrucciones en este manual puede resultar en lesiones personales y/o daños a la propiedad.

Garantía

GARANTÍA DE POR VIDA LIMITADA

LO QUE ESTÁ CUBIERTO

Todos los productos en el paquete llevan una garantía limitada de por vida de un año. Esta garantía aplica únicamente al comprador original y a la instalación original del producto.

LO QUE NO ESTÁ CUBIERTO

Los daños causados durante el traslado o durante la instalación no son defectos o problemas de la garantía y no serán considerados como tales. Esta garantía no cubre fallas del producto causadas por tratamiento abusivo, rayones de la superficie, mal uso, negligencia o daños debidos al manejo o instalaciones defectuosas. Toda la madera envejece naturalmente, se oscurece, cambia de color, y se ablanda con el tiempo debido a la exposición a la luz. A pesar de que este cambio de color es imperceptible de un día al otro, puede ser significativo durante un largo período de tiempo, o debido a la cantidad de luz a la que la madera está expuesta. Las imperfecciones como pequeñas fisuras en la superficie, pequeños agujeros oscuros o venas minerales más oscuros son naturales y no son considerados defectos.

Póngase en contacto con el Equipo de Servicio al Cliente llamando al 1-800-986-3460 o visite www.homedepot.com/homedecorators.

Pre-Instalación

PLANIFICACIÓN DE LA INSTALACIÓN

Pueden haber algunos problemas durante la instalación de su nuevo tocador. Se recomienda fuertemente que antes de someterse a esta tarea, se tome un momento para planificar la instalación.

HERRAMIENTAS REQUERIDAS



NOTA: Herramientas que se pueden necesitar durante la instalación.



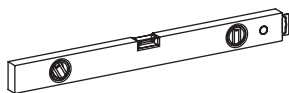
Mazo de goma



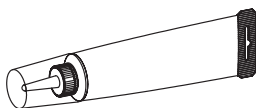
Gafas de seguridad



Destornillador
Phillips



Nivel

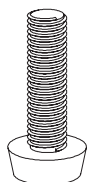


Compuesto de silicona

HERRAJE INCLUIDO



NOTA: No se muestra el herraje en el tamaño real.



AA

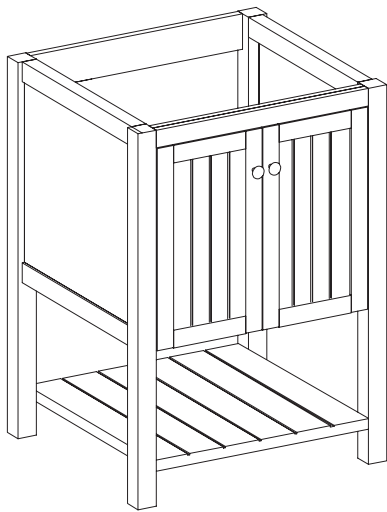
Pieza	Descripción	Cantidad
AA	Niveladores de pata (planificar-instalado en las piernas)	4

MATERIALES NECESARIOS

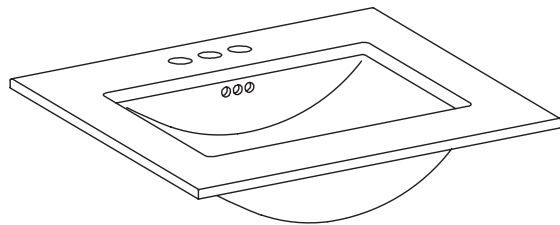
Descripción	Cantidad
Tornillos para madera	2
2" x 6" madera (corte para encajar entre los montantes)	1
5/16" tirafondos (250lbs min) de soporte de carga	2
Arandelas para tirafondos	2

Pre-Instalación (continuación)

CONTENIDO DEL PAQUETE



— A



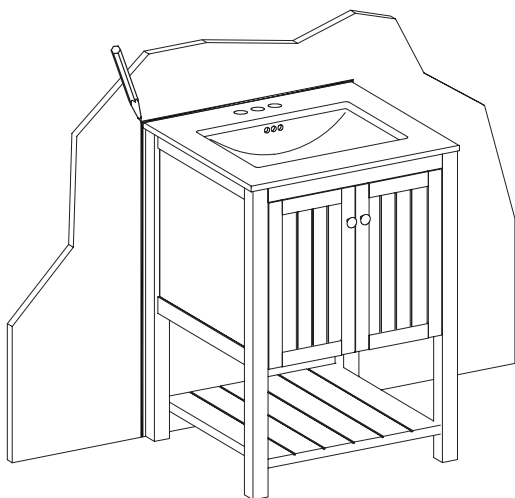
— B

Pieza	Descripción	Cantidad
A	Cuerpo del gabinete	1
B	Cubierta de tocador de porcelana vítrea	1

1 Trazado del contorno del tocador

Determine el lugar ideal para su nuevo mueble de baño.

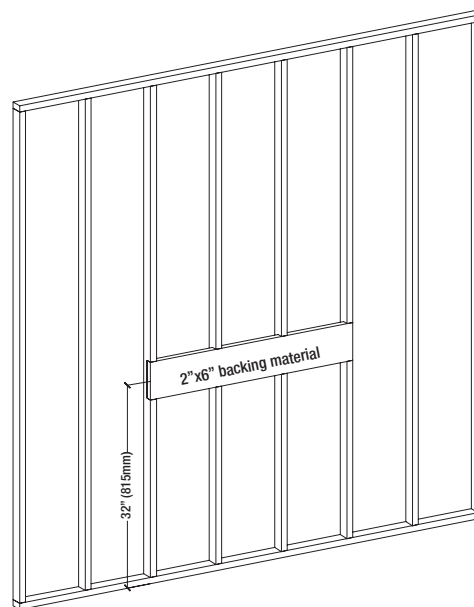
- Trace su contorno sobre la pared.
- Use un localizar de montante para localizar los montantes a los cuales unirá el tocador.
- Con un nivel, dibuje líneas a lo largo de los montantes desde el piso hasta la cubierta del tocador. Estas líneas le ayudarán a localizar dónde colocar los tornillos en el paso 3.



2 Instalación del tocador

Proporcionar material de soporte 2x6 detrás de la pared acabada para soportar adecuadamente el tocador.

- Para asegurar correctamente la vanidad, la mitad del material de soporte 2x6 requerido debe ser de 32" (815mm) desde el piso terminado.
- Extender el material de soporte más allá de la anchura de la vanidad al perno más cercano. Esto garantizará el apoyo adecuado para la tocador.
- Frente categoría de montante para localizar los montantes para asegurar el material de soporte 2x6 al ras contra de montante para localizar los montantes.
- Fije el material de soporte 2x6 el herraje en el los postes con clavos que enmarcan.
- Áspero-en las líneas de suministro de agua y drenaje en las áreas de plomería de el tocador.

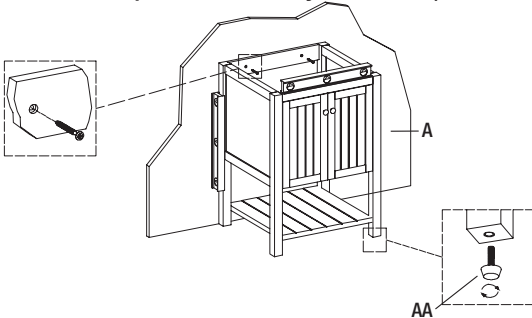


AVISO: Para evitar el riesgo de daños en el producto, la pared acabada debe ser recta ya plomo. Si la pared acabada no es recto ya plomo, el tocador no será adecuadamente apoyada y hará que la desalineación de la pileta y la puerta.

Instalación (continuación)

3 Colocación de la vanidad

- Verifique que la vanidad es el nivel y el carril de vuelta esté a plomo contra la pared. Si es necesario, gire los niveladores de las patas (AA) para ajustar la tocador.
- Usando una broca, perforo dos agujeros guía a través del carril de espalda y la pared acabada. Verificar el piloto agujeros están en condiciones de garantizar los pernos de fijación se acoplará el material de soporte 2x6.
- Asegure la vanidad el herraje en el la pared acabada con dos pernos de 5/16" y arandelas (no incluidos).

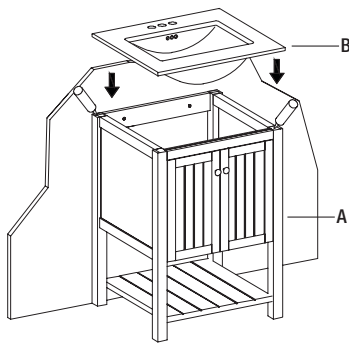


4 Instalación de la grifería en la tapa del tocador

- Siga las instrucciones del fabricante para instalar el grifo y drenaje a la tapa de la vanidad.

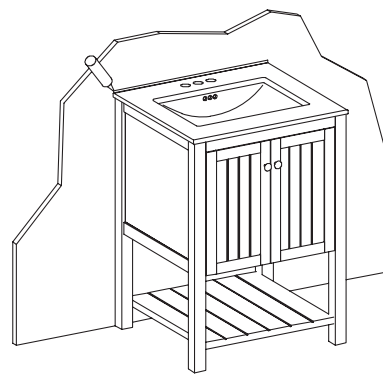
5 Cómo asegurar la cubierta del tocador

- Coloque la cubierta del tocador (B) sobre el tocador (A).
- Asegúrese de que la pared esté recta y no haya espacios entre la pared y la cubierta del tocador (B).
- Retire la cubierta (B) y aplique un pequeño cordón de compuesto de silicona en la cubierta del gabinete antes de que la cubierta del tocador esté colocada en posición.
- Presione firmemente la cubierta del tocador (B) en su posición; revise el nivel y uniformidad a través del frente del tocador (A), y asegúrese de que la cubierta del tocador (B) esté alineada con la pared.



6 Reconexión del suministro de agua

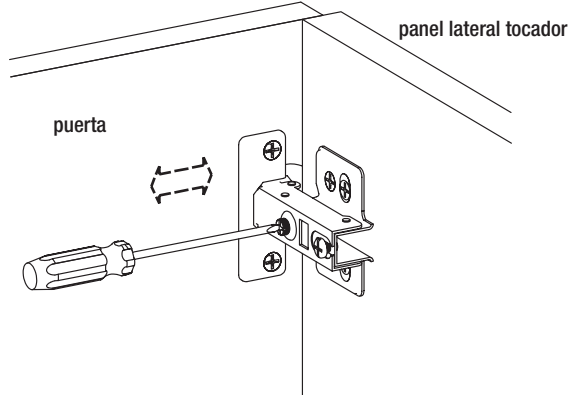
- Aplique un pequeño cordón de compuesto de silicona en la parte trasera de la cubierta del tocador (B).
- Reconecte las líneas de suministro del grifo al suministro de agua y reconecte el sifón.
- Instale el desagüe automático.
- Abra el suministro de agua o el suministro de agua principal de la casa y haga pruebas de fugas.



Ajuste de puerta

Consulte la ilustración y la nota sobre la ubicación destornillador para el ajuste deseado.

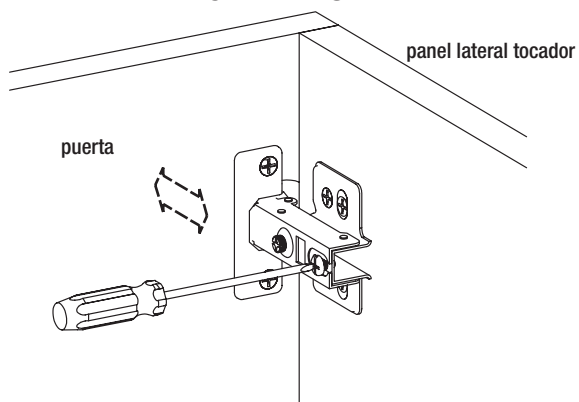
IZQUIERDA A DERECHA



Si el espacio entre el panel lateral de la puerta y la vanidad necesita ajuste, gire el tornillo más cercano a la puerta de las agujas del reloj o en sentido contrario.

Asegúrese de ajustar la parte superior e inferior bisagras para mantener el nivel de las puertas.

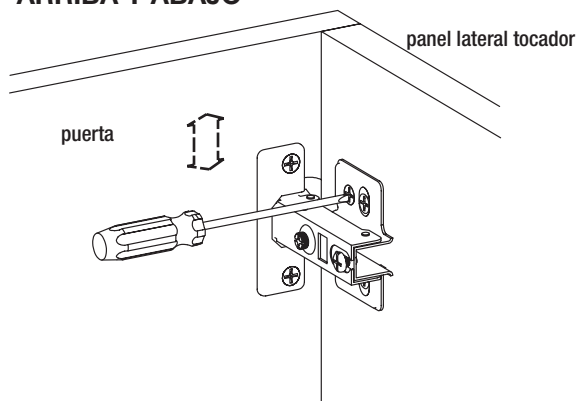
ADELANTE HACIA ATRÁS



Si la puerta no se alinea perfectamente con el marco de la vanidad, girar el tornillo más cercano al panel lateral de la vanidad en sentido horario o antihorario.

Asegúrese de ajustar la parte superior e inferior bisagras para mantener el nivel de las puertas.

ARRIBA Y ABAJO



Si el espacio por encima o por debajo de la puerta necesita ajuste, gire el tornillo que está montado en del placa de bisagra del panel lateral tocador.

Al aflojar el tornillo permite que la puerta se mueva hacia arriba o hacia abajo.

Ambas bisagras de la puerta deben ser aflojado para ajustar la puerta.

Recuerde apretar las bisagras después de la puerta está en su lugar.

Cuidado y limpieza

PANELES Y PUERTAS DE MADERA

Gabinetes de polvo con frecuencia con un paño suave y sin pelusa. Usted puede humedecer el paño con agua o con un removedor de polvo en forma de aerosol. Limpie los derrames inmediatamente. Utilice un paño limpio y húmedo si es necesario. Seque con otro paño limpio y suave. El paño es mejor que las toallas de papel para este propósito.

Para la limpieza de mantenimiento de sus gabinetes, hay una serie de Los productos disponibles para sus necesidades de limpieza de madera, normalmente promovidas como productos de cuidado de los muebles. Le recomendamos que utilice un jabón suave con un paño húmedo para eliminar cualquier acumulación en los gabinetes. Cualquier producto utilizado debe ser aplicado y luego se retira rápida y completamente con un paño húmedo. Seque el gabinete completo después de la limpieza como el exceso de humedad puede ser perjudicial para cualquier acabado de madera fina. Además, no cuele paños húmedos o mojados sobre el borde de las puertas.

No utilice detergentes, pastillas de jabón, lana de acero o cualquier otro tipo de estropajo abrasivo en sus gabinetes. Estos productos pueden dañar del acabado de la madera. También sugerimos no usar aceites cítricos, cera o limpiadores que contengan silicona porque dejan un residuo que es a veces difícil de eliminar y atrae el polvo. Por último, no utilice disolventes como el amoníaco, lejía, acetona, diluyente de laca o productos de limpieza tales como Goof-off o WD40, todo lo cual puede dañar o disolver una parte o la totalidad de la meta.

LAMINADOS

Usted puede limpiar todas las superficies laminadas con un paño suave y húmedo. No utilice cantidades excesivas de agua, que se filtran en las costuras de la caja. Armarios bajos fregadero son el gabinete más común tener daños por agua y por lo general se pueden proteger con un forro de plástico o en una cazuela.

PREVENCIÓN DE DAÑOS POR CALOR O HUMEDAD

El ambiente del baño es un lugar muy común para la humedad. Es muy importante para disipar la humedad en la habitación y no dejar que se quede por largos períodos de tiempo. Si los ajustes de temperatura más altas se usan durante períodos prolongados de tiempo, el calor puede ser excesivo y las puertas y frentes de cajón debe ser eliminado. Esto es particularmente importante en los paneles laminados, que no pueden estar expuestos a temperaturas extendido más allá de los 160 grados Fahrenheit sin arriesgar daño permanente.

LUZ DEL SOL Y ENVEJECIMIENTO

Con el tiempo, la exposición a la luz solar, el humo y los productos químicos puede causar algunos materiales a cara o variar en su color original. Gabinetes o accesorios adicionales en una fecha posterior pueden no coincidir con los gabinetes instalados anteriormente. Por la misma razón, las muestras de acabado en las pantallas no pueden representar el color exacto de los gabinetes recibidos en el momento del envío.

PORCELANA VÍTREA

Encimeras de lavabos de porcelana vítrea y son muy durables. El proceso de esmaltado ofrece años de disfrute si lo cuida correctamente. Enjuague bien y utilice un paño suave para limpiar el producto seco después de cada uso para evitar las manchas de agua dura. Limpiadores abrasivos suaves se pueden utilizar cuando sea necesario para limpiar Los productos de porcelana vitrificada.

CUBIERTAS DE GRANITO O MÁRMOL

La piedra natural es un material poroso. Por lo tanto, se puede manchar si no se usa correctamente. Encimeras de granito deben sellarse antes de usar. Siga las instrucciones de la etiqueta del sellador. La forma más fácil de limpiar encimeras de granito es simplemente usar agua tibia y jabón suave líquido para platos, preferiblemente sin aromáticos. Esta es una manera suave para limpiar la grasa y la suciedad de sus mostradores de granito sin dañarlos. Si utiliza agua y jabón, esto puede conducir a la acumulación de jabón y con el tiempo, podrían dañar el terminado brillante de su granito pulido. Después de la limpieza se debe enjuagar la encimera bien y secar con un paño suave de algodón.

CUBIERTAS DE CUARZO

El cuarzo es fácil de mantener. Se trata de un material no poroso que es altamente resistente a las manchas, arañazos y calor. Sin embargo, no se mancha, rasguño, o una prueba de calor. Los derrames deben ser limpiados tan pronto como sea posible con agua y jabón de forma regular para mantener el cuarzo pulido como nuevo. Use agua tibia y un paño húmedo con una pequeña cantidad de limpiador no abrasivo que no contenga cloro.

HOME DECORATORS COLLECTION

¿Tiene preguntas, problemas, o faltan piezas? Antes de regresar a la tienda,
llame a Servicio al Cliente de Home Decorators Collection
de lunes a viernes de 8 a.m. a 6 p.m., hora local del Este

1-800-986-3460

[HOMEDEPOT.COM/HOMEDECORATORS](https://www.homedepot.com/homedecorators)

Conserve este manual para uso futuro.