



# LED EP16-2020w

Part #: EBP16DM/B/6W/400/38D/27K/GU10/W Bulb Class: PAR16



## Product Description

**LED EP16-2020w** delivers superior brightness, valuable energy savings, long lasting performance and true color perception. This flood PAR16 LED bulb is ideal for accent lighting due to its focal \*warm white light (2700K) replacing conventional 50 Watt incandescent bulbs. Built-in MCOB LED Technology offers exceptional light uniformity, energy efficiency, and optimal heat dissipation guaranteeing durability and constant bulb performance. Enjoy features such as: instant on, dimming options, shatter resistance, mercury free and 90+ CRI.



**Estimated Energy Cost:** \$0.72 per year



**MCOB**  
LED TECHNOLOGY

**50W**  
REPLACEMENT

\*Note: Design, features and specifications subject to change without notice. Some features may not be available on all models. For more information regarding dimmer compatibility please visit: [www.eurilighting.com](http://www.eurilighting.com) or call 1-888-743-5766

## Specifications

Input Power	Input Voltage	Lumen Output	Beam Angle	Center Beam	CCT
6 W	120 V	400 lm	38°	632 cd	2700 K
CRI	Luminous Efficacy	Power Factor	Input Current	Base/Cap	Lamp Lifespan
91	66 lm/W	0.9	0.05 A	GU10	25,000 Hrs.

### Product Features



Dimmable



Instant-On/Off

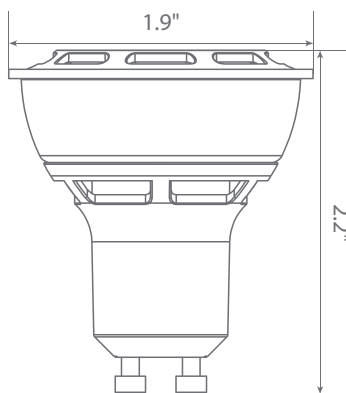


Mercury Free

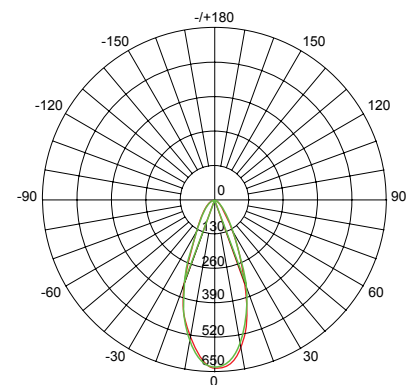


Energy Efficient

### Product Dimensions



### Product Photometric Data



**Euri Lighting | A Division of IRTRONIX Inc.**