

# DRYER INSTALLATION INSTRUCTIONS

## 29" and 27" Wide Models

### Gas (U.S.A. and Canada) & Electric (Canada Only)

## INSTRUCTIONS D'INSTALLATION DE LA SÈCHEUSE

### Modèles de 29" et de 27" de largeur

## À gaz (É.-U. et Canada) et Électrique (Canada uniquement)

Para obtener acceso al manual de uso y cuidado en español, o para obtener información adicional acerca de su producto, visite:  
[www.whirlpool.com](http://www.whirlpool.com)

Tenga listo su número de modelo completo. Puede encontrar el número de modelo y de serie dentro de la cavidad superior de la puerta.

### Table of Contents

DRYER SAFETY .....	2
INSTALLATION REQUIREMENTS.....	4
Tools and Parts .....	4
Location Requirements .....	5
ELECTRIC DRYER POWER HOOKUP-CANADA ONLY .....	7
Electrical Requirements .....	7
Install Leveling Legs .....	7
GAS DRYER POWER HOOKUP .....	8
Gas Supply Requirements .....	8
Electrical Requirements .....	9
VENTING.....	10
Venting Requirements.....	10
Plan Vent System.....	11
Venting Kits.....	11
Install Vent System.....	12
Make Gas Connection .....	13
Connect Vent .....	13
Level Dryer .....	14
Complete Installation Checklist.....	14
Reverse Door Swing (Optional).....	14
Troubleshooting.....	20

### Table des matières

SÉCURITÉ DE LA SÈCHEUSE .....	21
EXIGENCES D'INSTALLATION .....	23
Outillage et pièces .....	23
Exigences d'emplacement .....	24
RACCORDEMENT À L'ALIMENTATION ÉLECTRIQUE DE LA SÈCHEUSE ÉLECTRIQUE - CANADA SEULEMENT.....	26
Spécifications électriques.....	26
Installation des pieds de nivellement.....	27
RACCORDEMENT D'UNE SÈCHEUSE À GAZ .....	27
Spécifications de l'alimentation en gaz .....	27
Spécifications électriques.....	29
L'ÉVACUATION.....	30
Exigences concernant l'évacuation .....	30
Planification du système d'évacuation .....	31
Trousses d'évacuation .....	31
Installation du circuit d'évacuation .....	33
Raccordement au gaz.....	33
Raccordement du conduit d'évacuation.....	34
Réglage de l'aplomb de la sècheuse.....	34
Achever l'installation - liste de vérification.....	35
Inversion du sens de l'ouverture de la porte (facultatif)..	35
Dépannage.....	42

#### INSTALLATION NOTES

Date of purchase: \_\_\_\_\_

Date of installation: \_\_\_\_\_

Installer: \_\_\_\_\_

Model number: \_\_\_\_\_

Serial number: \_\_\_\_\_

#### NOTES CONCERNANT L'INSTALLATION

Date d'achat : \_\_\_\_\_

Date d'installation : \_\_\_\_\_

Installateur : \_\_\_\_\_

Numéro de modèle : \_\_\_\_\_

Numéro de série : \_\_\_\_\_

# DRYER SAFETY

## Your safety and the safety of others are very important.

We have provided many important safety messages in this manual and on your appliance. Always read and obey all safety messages.



This is the safety alert symbol.

This symbol alerts you to potential hazards that can kill or hurt you and others.

All safety messages will follow the safety alert symbol and either the word “DANGER” or “WARNING.”

These words mean:

 **DANGER**

You can be killed or seriously injured if you don't immediately follow instructions.

 **WARNING**

You can be killed or seriously injured if you don't follow instructions.

All safety messages will tell you what the potential hazard is, tell you how to reduce the chance of injury, and tell you what can happen if the instructions are not followed.



## **WARNING** - “Risk of Fire”

- Clothes dryer installation must be performed by a qualified installer.
- Install the clothes dryer according to the manufacturer's instructions and local codes.
- Do not install a clothes dryer with flexible plastic venting materials. If flexible metal (foil type) duct is installed, it must be of a specific type identified by the appliance manufacturer as suitable for use with clothes dryers. Flexible venting materials are known to collapse, be easily crushed, and trap lint. These conditions will obstruct clothes dryer airflow and increase the risk of fire.
- To reduce the risk of severe injury or death, follow all installation instructions.
- Save these instructions.

**IMPORTANT:** The gas installation must conform with local codes, or in the absence of local codes, with the National Fuel Gas Code, ANSI Z223.1/NFPA 54 or the Canadian Natural Gas and Propane Installation Code, CSA B149.1.

The dryer must be electrically grounded in accordance with local codes, or in the absence of local codes, with the National Electrical Code, ANSI/NFPA 70 or Canadian Electrical Code, CSA C22.1.

**WARNING:** For your safety, the information in this manual must be followed to minimize the risk of fire or explosion, or to prevent property damage, personal injury, or death.

- Do not store or use gasoline or other flammable vapors and liquids in the vicinity of this or any other appliance.
- **WHAT TO DO IF YOU SMELL GAS:**
  - Do not try to light any appliance.
  - Do not touch any electrical switch; do not use any phone in your building.
  - Clear the room, building, or area of all occupants.
  - Immediately call your gas supplier from a neighbor's phone. Follow the gas supplier's instructions.
  - If you cannot reach your gas supplier, call the fire department.
- Installation and service must be performed by a qualified installer, service agency, or the gas supplier.

**WARNING:** Gas leaks cannot always be detected by smell.

Gas suppliers recommend that you use a gas detector approved by UL or CSA.

For more information, contact your gas supplier.

If a gas leak is detected, follow the "What to do if you smell gas" instructions.

### IMPORTANT SAFETY INSTRUCTIONS

**WARNING:** To reduce the risk of fire, electric shock, or injury to persons when using the dryer, follow basic precautions, including the following:

- Read all instructions before using the dryer.
- Do not place items exposed to cooking oils in your dryer. Items contaminated with cooking oils may contribute to a chemical reaction that could cause a load to catch fire.
- Do not dry articles that have been previously cleaned in, washed in, soaked in, or spotted with gasoline, dry-cleaning solvents, or other flammable or explosive substances as they give off vapors that could ignite or explode.
- Do not allow children to play on or in the dryer. Close supervision of children is necessary when the dryer is used near children.
- Before the dryer is removed from service or discarded, remove the door to the drying compartment.
- Do not reach into the dryer if the drum is moving.
- Do not install or store the dryer where it will be exposed to the weather.
- Do not tamper with controls.
- Do not repair or replace any part of the dryer or attempt any servicing unless specifically recommended in this Use and Care Guide or in published user-repair instructions that you understand and have the skills to carry out.
- Do not use fabric softeners or products to eliminate static unless recommended by the manufacturer of the fabric softener or product.
- Do not use heat to dry articles containing foam rubber or similarly textured rubber-like materials.
- Clean lint screen before or after each load.
- Keep area around the exhaust opening and adjacent surrounding areas free from the accumulation of lint, dust, and dirt.
- The interior of the dryer and exhaust vent should be cleaned periodically by qualified service personnel.
- See installation instructions for grounding requirements.

**SAVE THESE INSTRUCTIONS**

In the State of Massachusetts, the following installation instructions apply:

- Installations and repairs must be performed by a qualified or licensed contractor, plumber, or gasfitter qualified or licensed by the State of Massachusetts.
- If using a ball valve, it shall be a T-handle type.
- A flexible gas connector, when used, must not exceed 3 feet.

State of California Proposition 65 Warnings:

WARNING: This product contains a chemical known to the State of California to cause cancer.

WARNING: This product contains a chemical known to the State of California to cause birth defects or other reproductive harm.

### IMPORTANT SAFETY INSTRUCTIONS

When discarding or storing your old clothes dryer, remove the door.

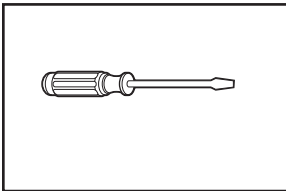
**SAVE THESE INSTRUCTIONS**

## INSTALLATION REQUIREMENTS

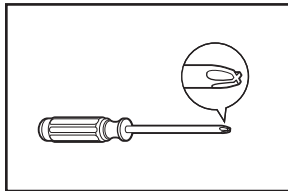
### Tools and Parts

Gather the required tools and parts before starting installation.

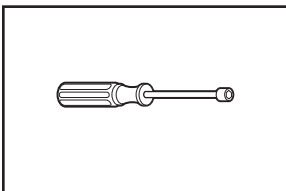
#### Tools needed for all installations:



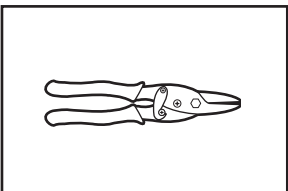
Flat-blade screwdriver



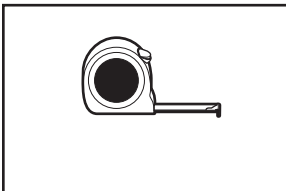
#2 Phillips screwdriver



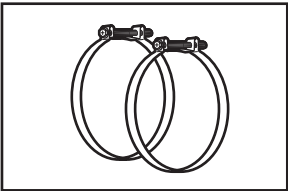
1/4" nut driver or socket wrench (recommended)



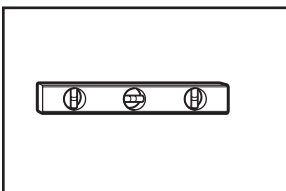
Tin snips (new vent installations)



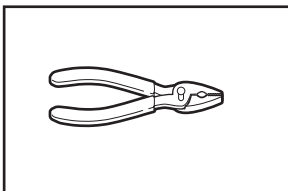
Tape measure



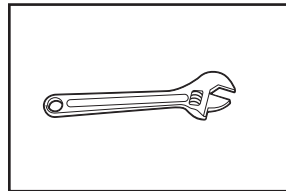
Vent clamps



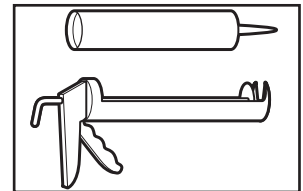
Level



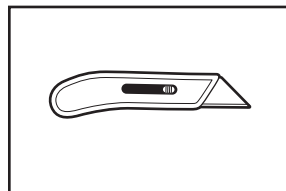
Pliers



Adjustable wrench that opens to 1" (25 mm) or hex-head socket wrench

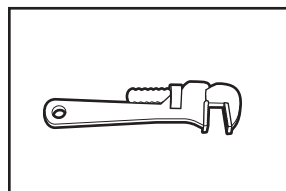


Caulking gun and compound (for installing new exhaust vent)

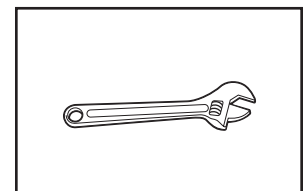


Utility knife

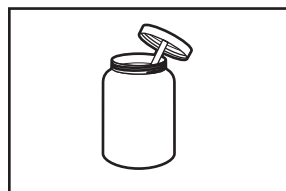
#### Tools needed for gas installations:



8" or 10" pipe wrench

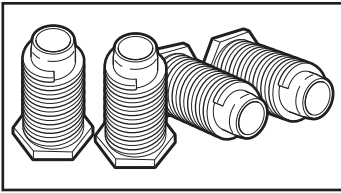


8" or 10" adjustable wrench (for gas connections)



Pipe-joint compound resistant to LP gas

### Parts supplied:



Leveling legs (4)

Parts package is located in dryer drum. Check that all parts are included.

### Parts needed:

Check local codes. Check existing electrical supply and venting. See “Electrical Requirements” and “Venting Requirements” before purchasing parts.

Check code requirements. Some codes limit, or do not permit, installing dryer in garages, closets, mobile homes, or sleeping quarters. Contact your local building inspector.

### Optional Equipment: (Not supplied with dryer)

Refer to your Use and Care Guide for information about accessories available for your dryer.

- If you are using power supply cord, a grounded electrical outlet located within 2 ft. (610 mm) of either side of dryer. See “Electrical Requirements.”
- A sturdy floor to support dryer and a total weight (dryer and load) of 200 lbs. (90.7 kg). The combined weight of a companion appliance should also be considered.
- Level floor with maximum slope of 1" (25 mm) under entire dryer. If slope is greater than 1" (25 mm), install Extended Dryer Feet Kit, Part Number 279810. If not level, clothes may not tumble properly and automatic sensor cycles may not operate correctly.

Do not operate your dryer at temperatures below 45°F (7°C). At lower temperatures, the dryer might not shut off at the end of an automatic cycle. Drying times can be extended.

The dryer must not be installed or stored in an area where it will be exposed to water and/or weather.

Check code requirements. Some codes limit, or do not permit, installation of the dryer in garages, closets, mobile homes, or sleeping quarters. Contact your local building inspector.

**NOTE:** No other fuel-burning appliance can be installed in the same closet as a dryer.

## Location Requirements

### ⚠ WARNING



#### Explosion Hazard

**Keep flammable materials and vapors, such as gasoline, away from dryer.**

**Place dryer at least 18 inches (460 mm) above the floor for a garage installation.**

**Failure to do so can result in death, explosion, or fire.**

### You will need:

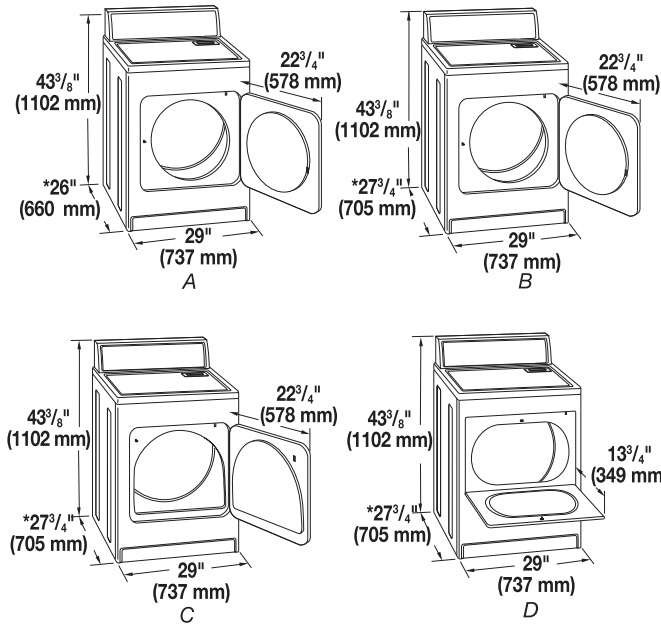
- A location allowing for proper exhaust installation. See “Venting Requirements.”
- A separate 30 amp circuit for electric dryers.
- A separate 15 or 20 amp circuit for gas dryers.

## Installation clearances:

The location must be large enough to allow the dryer door to open fully.

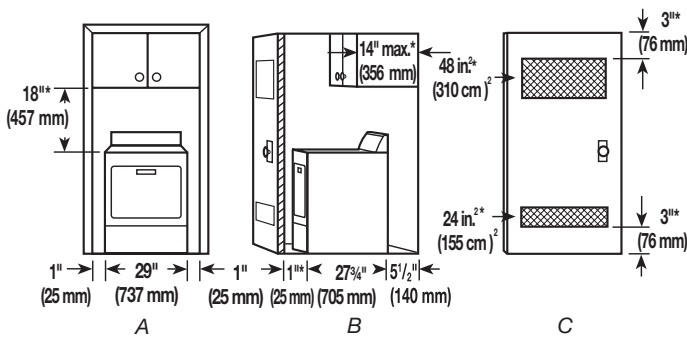
Most installations require a minimum 5½" (140 mm) clearance behind the dryer for the exhaust vent with elbow. See "Venting Requirements."

### 29" Wide Models Dryer Dimensions



A. Large opening side-swing door  
B. Large opening side-swing door  
C. Wide opening side-swing door  
D. Wide opening hamper door

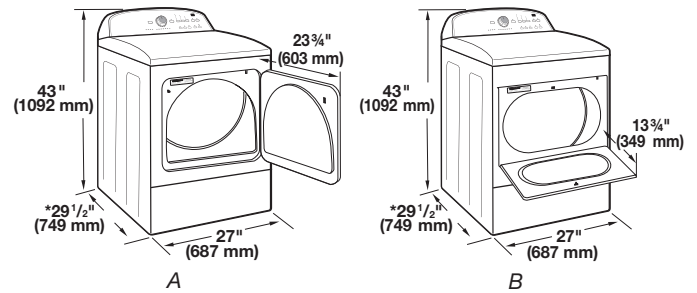
### Installation Spacing



A. Recessed area  
B. Side view - closet or confined area  
C. Closet door with vents

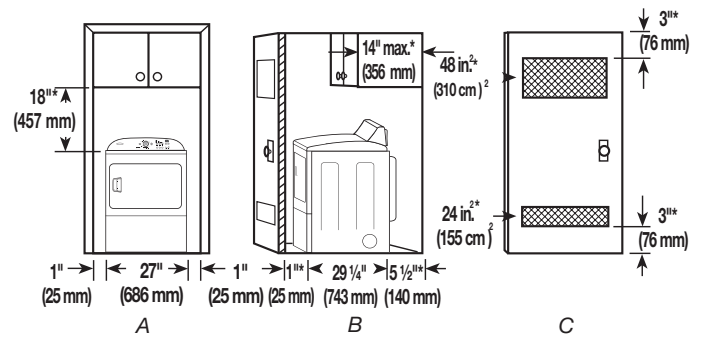
\*Required spacing

### 27" Wide Models Dryer Dimensions



A. Large opening side-swing door  
B. Wide opening hamper door

### Installation Spacing



A. Recessed area  
B. Side view - closet or confined area  
C. Closet door with vents

\*Required spacing

### Installation spacing for recessed area or closet

The dimensions shown are for the minimum spacing allowed.

- Additional spacing should be considered for ease of installation and servicing.
- Additional clearances might be required for wall, door, and floor moldings.
- Additional spacing of 1" (25 mm) on all sides of the dryer is recommended to reduce noise transfer.
- For closet installation, with a door, minimum ventilation openings in the top and bottom of the door are required. Louvered doors with equivalent ventilation openings are acceptable.
- Companion appliance spacing should also be considered.

### Mobile home - Additional installation requirements

This dryer is suitable for mobile home installations. The installation must conform to the Manufactured Home Construction and Safety Standard, Title 24 CFR, Part 3280 (formerly the Federal Standard for Mobile Home Construction and Safety, Title 24, HUD Part 280) or the Canadian Manufactured Home Standard CAN/CSA-Z240 MH.

- Metal exhaust system hardware, available for purchase. For further information, please reference the "Assistance or Service" section of the "Dryer User Instructions."
- Special provisions must be made in mobile homes to introduce outside air into the dryer. The opening (such as a nearby window) should be at least twice as large as the dryer exhaust opening.

# ELECTRIC DRYER POWER HOOKUP - CANADA ONLY

## Electrical Requirements

### **⚠ WARNING**



#### **Electrical Shock Hazard**

**Plug into a grounded 4 prong outlet.**

**Failure to do so can result in death or electrical shock.**

#### **It is your responsibility:**

- To contact a qualified electrical installer.
- To be sure that the electrical connection is adequate and in conformance with the Canadian Electrical Code, C22.1-latest edition and all local codes. A copy of the above codes standard may be obtained from: Canadian Standards Association, 178 Rexdale Blvd., Toronto, ON M9W 1R3 CANADA.
- To supply the required 4 wire, single phase, 120/240 volt, 60 Hz., AC only electrical supply on a separate 30-amp circuit, fused on both sides of the line. A time-delay fuse or circuit breaker is recommended. Connect to an individual branch circuit.
- This dryer is equipped with a CSA International Certified Power Cord intended to be plugged into a standard 14-30R wall receptacle. The cord is 5 ft. (1.52 m) in length. Be sure wall receptacle is within reach of dryer's final location.



4-wire receptacle (14-30R)

- Do not use an extension cord.

If using a replacement power supply cord, it is recommended that you use Power Supply Cord Replacement Part Number 8579325. For further information, please reference the "Assistance or Service" section of the "Dryer User Instructions."

## GROUNDING INSTRUCTIONS

- For a grounded, cord-connected dryer:  
This dryer must be grounded. In the event of malfunction or breakdown, grounding will reduce the risk of electric shock by providing a path of least resistance for electric current. This dryer is equipped with a cord having an equipment-grounding conductor and a grounding plug. The plug must be plugged into an appropriate outlet that is properly installed and grounded in accordance with all local codes and ordinances.

**WARNING:** Improper connection of the equipment-grounding conductor can result in a risk of electric shock. Check with a qualified electrician or service representative or personnel if you are in doubt as to whether the dryer is properly grounded. Do not modify the plug provided with the dryer: if it will not fit the outlet, have a proper outlet installed by a qualified electrician.

### **SAVE THESE INSTRUCTIONS**

## Install Leveling Legs

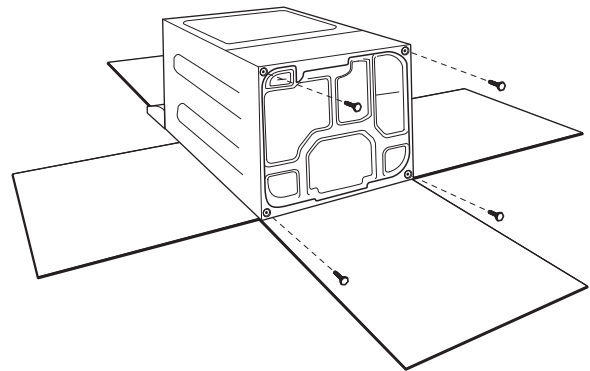
### **⚠ WARNING**

#### **Excessive Weight Hazard**

**Use two or more people to move and install dryer.**

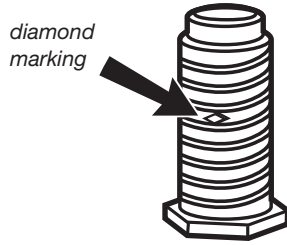
**Failure to do so can result in back or other injury.**

### **1. Prepare dryer for leveling legs**



To avoid damaging floor, use a large flat piece of cardboard from dryer carton; place under entire back edge of dryer. Firmly grasp dryer body (not console panel) and gently lay dryer down on cardboard.

## 2. Screw in leveling legs

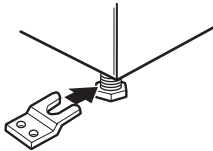


Examine leveling legs, find diamond marking. Screw legs into leg holes by hand, use a wrench to finish turning legs until diamond marking is no longer visible.

Now stand the dryer on its feet. Slide the dryer until it is close to its final location. Leave enough room to connect the exhaust vent.

### For mobile home use

Gas dryers must be securely fastened to the floor.



Mobile home installations require a Mobile Home Installation Hold-down Kit. For ordering information please reference the "Dryer User Instructions."

# GAS DRYER POWER HOOKUP

## Gas Supply Requirements

### ⚠ WARNING



#### Explosion Hazard

Use a new CSA International approved gas supply line.

Install a shut-off valve.

Securely tighten all gas connections.

If connected to LP, have a qualified person make sure gas pressure does not exceed 13" (330 mm) water column.

Examples of a qualified person include:  
licensed heating personnel,  
authorized gas company personnel, and  
authorized service personnel.

Failure to do so can result in death, explosion, or fire.

## Gas type

### Natural gas:

This dryer is equipped for use with Natural Gas. It is design-certified by CSA International for LP (propane or butane) gases with appropriate conversion.

- Your dryer must have the correct burner for the type of gas in your home. Burner information is located on the rating plate in the door well of your dryer. If this information does not agree with the type of gas available, please reference the "Assistance or Service" section of the "Dryer User Instructions."

### LP gas conversion:

#### Conversion must be made by a qualified technician.

No attempt shall be made to convert the dryer from the gas specified on the model/serial rating plate for use with a different gas without consulting the serving gas supplier.

**IMPORTANT:** The gas installation must conform with local codes, or in the absence of local codes, with the National Fuel Gas Code, ANSI Z223.1/NFPA 54 or the Canadian Natural Gas and Propane Installation Code, CSA B149.1.

## Gas supply line

- 1/2" NPT pipe is recommended.
- 3/8" approved tubing is acceptable for lengths under 20 ft. (6.1 m) if local codes and gas supplier permit.
- Must include 1/8" NPT minimum plugged tapping accessible for test gauge connection, immediately upstream of the gas connection to the dryer (see illustration).
- Must include a shutoff valve:

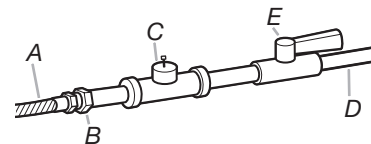
#### In the U.S.A.:

An individual manual shutoff valve must be installed within six (6) feet (1.8 m) of the dryer in accordance with the National Fuel Gas Code, ANSI Z223.1.

#### In Canada:

An individual manual shutoff valve must be installed in accordance with the B149.1, Natural Gas and Propane Installation Code. It is recommended that an individual manual shutoff valve be installed within six (6) feet (1.8 m) of the dryer.

The shut off valve location should be easy to reach for opening and closing.



- A. 3/8" flexible gas connector
- B. 3/8" pipe to flare adapter fitting
- C. 1/8" NPT minimum plugged tapping
- D. 1/2" NPT gas supply line
- E. Gas shutoff valve

## Gas supply connection requirements

There are many methods by which your gas dryer can be connected to the gas supply. Listed here are some guidelines for two different methods of connection.



### Option 1 (Recommended Method)

Flexible stainless steel gas connector:

- If local codes permit, use a new flexible stainless steel gas connector (Design Certified by the American Gas Association or CSA International) to connect your dryer to the rigid gas supply line. Use an elbow and a 3/8" flare x 3/8" NPT adapter fitting between the stainless steel gas connector and the dryer gas pipe, as needed to prevent kinking.

### Option 2 (Alternate Method)

Approved aluminum or copper tubing:

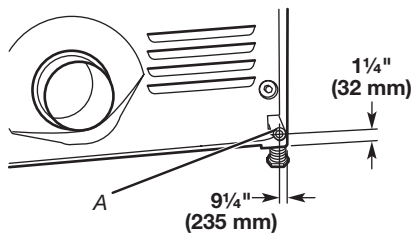
- Lengths over 20 ft. (6.1 m) can use 3/8" approved tubing (if codes and gas supplier permit).
- If you are using Natural Gas, do not use copper tubing.
- 3/8" flare x 3/8" NPT adapter fitting between dryer pipe and 3/8" approved tubing.
- Lengths over 20 ft. (6.1 m) should use larger tubing and a different size adapter fitting.
- If your dryer has been converted to use LP gas, 3/8" LP compatible copper tubing can be used. If the total length of the supply line is more than 20 ft. (6.1 m), use larger pipe.

**NOTE:** Pipe joint compounds that resist the action of LP gas must be used. Do not use TEFLON<sup>†</sup> tape.

### Dryer gas pipe

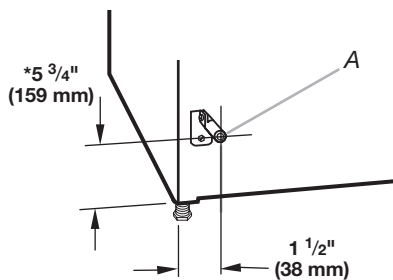
- The gas pipe that comes out through the rear of your dryer has a 3/8" male pipe thread.

#### 29" Wide Model



A. 3/8" NPT dryer pipe

#### 27" Wide Model



A. 3/8" NPT dryer pipe

### Burner input requirements

#### Elevations up to 10,000 ft. (3,048 m):

- The design of this dryer is certified by CSA International for use at altitudes up to 10,000 ft. (3,048 m), above sea level at the B.T.U. rating indicated on the model/serial number plate. Burner input adjustments are not required when the dryer is operated up to this elevation.

#### Elevations above 10,000 ft. (3,048 m):

- When installed above 10,000 ft. (3,048 m) a 4% reduction of the burner B.T.U. rating shown on the model/serial number plate is required for each 1,000 ft. (305 m) increase in elevation.

#### Gas supply pressure testing

- The dryer must be disconnected from the gas supply piping system during pressure testing at pressures greater than 1/2 psi.

## Electrical Requirements

### ⚠ WARNING



#### Electrical Shock Hazard

**Plug into a grounded 3 prong outlet.**

**Do not remove ground prong.**

**Do not use an adapter.**

**Do not use an extension cord.**

**Failure to follow these instructions can result in death, fire, or electrical shock.**

- 120 Volt, 60 Hz., AC only, 15- or 20-amp fused electrical supply is required. A time-delay fuse or circuit breaker is recommended. It is also recommended that a separate circuit serving only this dryer be provided.

### GROUNDING INSTRUCTIONS

- For a grounded, cord-connected dryer:  
This dryer must be grounded. In the event of malfunction or breakdown, grounding will reduce the risk of electric shock by providing a path of least resistance for electric current. This dryer is equipped with a cord having an equipment-grounding conductor and a grounding plug. The plug must be plugged into an appropriate outlet that is properly installed and grounded in accordance with all local codes and ordinances.

**WARNING:** Improper connection of the equipment-grounding conductor can result in a risk of electric shock. Check with a qualified electrician or service representative or personnel if you are in doubt as to whether the dryer is properly grounded. Do not modify the plug provided with the dryer: if it will not fit the outlet, have a proper outlet installed by a qualified electrician.

### SAVE THESE INSTRUCTIONS

<sup>†</sup>TEFLON is a registered trademark of E.I. Du Pont De Nemours and Company.

# VENTING

## Venting Requirements

### **⚠ WARNING**



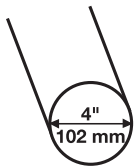
#### Fire Hazard

- Use a heavy metal vent.**
- Do not use a plastic vent.**
- Do not use a metal foil vent.**
- Failure to follow these instructions can result in death or fire.**

**WARNING:** To reduce the risk of fire, this dryer MUST BE EXHAUSTED OUTDOORS.

**IMPORTANT:** Observe all governing codes and ordinances.

Dryer exhaust must not be connected into any gas vent, chimney, wall, ceiling, attic, crawlspace, or a concealed space of a building. Only rigid or flexible metal vent shall be used for exhausting.



- Only a 4" (102 mm) heavy metal exhaust vent and clamps may be used.
- Do not use plastic or metal foil vent.

#### Rigid metal vent:

- Recommended for best drying performance and to avoid crushing and kinking.

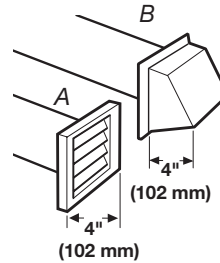
#### Flexible metal vent: (Acceptable only if accessible to clean)

- Must be fully extended and supported in final dryer location.
- Remove excess to avoid sagging and kinking that may result in reduced airflow and poor performance.
- Do not install in enclosed walls, ceilings, or floors.
- The total length should not exceed 7 3/4 ft. (2.4 m).

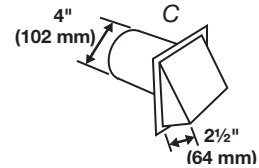
**NOTE:** If using an existing vent system, clean lint from entire length of the system and make sure exhaust hood is not plugged with lint. Replace plastic or metal foil vents with rigid metal or flexible metal vents. Review Vent system chart and if necessary, modify existing vent system to achieve best drying performance.

#### Exhaust hoods:

- Must be at least 12" (305 mm) from ground or any object that may obstruct exhaust (such as flowers, rocks, bushes, or snow).



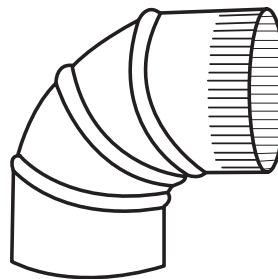
Recommended styles:  
A. Louvered hood  
B. Box hood



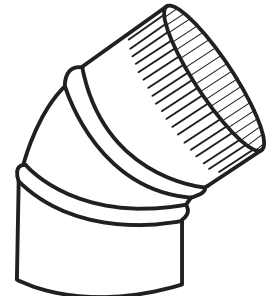
Acceptable styles:  
C. Angled hood

#### Elbows:

- 45° elbows provide better airflow than 90° elbows.



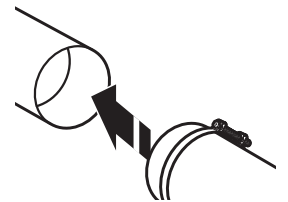
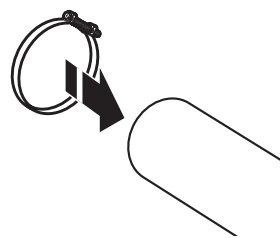
Good



Better

#### Clamps:

- Use clamps to seal all joints.
- Exhaust vent must not be connected or secured with screws or other fastening devices that extend into interior of duct and catch lint. Do not use duct tape.



#### Improper venting can cause moisture and lint to collect indoors, which may result in:

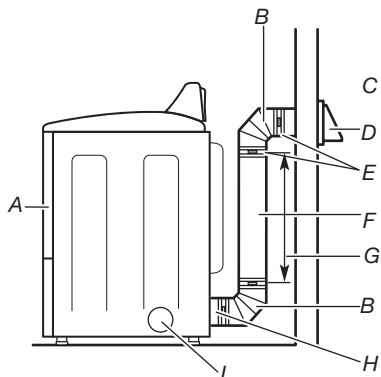
- Moisture damage to woodwork, furniture, paint, wallpaper, carpets, etc.
- Housecleaning problems and health problems.

See "Venting Kits" for more information.

## Plan Vent System

### Recommended exhaust installations

Typical installations vent the dryer from the rear of the dryer. Other installations are possible.



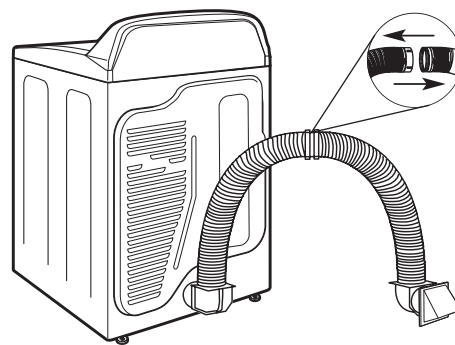
- A. Dryer
- B. Elbow
- C. Wall
- D. Exhaust hood
- E. Clamps
- F. Rigid metal or flexible metal vent
- G. Vent length necessary to connect elbows
- H. Exhaust outlet
- I. Optional side exhaust outlet

### Optional exhaust installations:

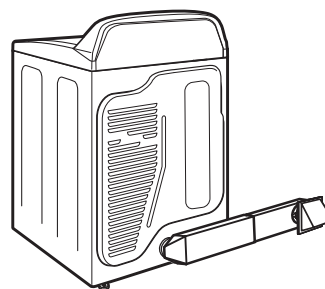
27" Wide Models can be converted to exhaust out the right side, left side, or through the bottom (4-way vent kit). Each kit includes step-by-step instructions. For ordering information, see "Venting Kits".

### Alternate installations for close clearances

Venting systems come in many varieties. Select the type best for your installation. Two close-clearance installations are shown. Refer to the manufacturer's instructions.



Over-The-Top installation (also available with one offset elbow)



Periscope installation

**NOTE:** The following kits for close clearance alternate installations are available for purchase.

## ⚠ WARNING

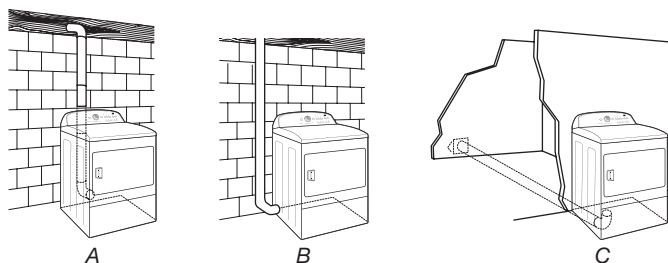


### Fire Hazard

Cover unused exhaust holes with a manufacturer's exhaust cover kit.

Contact your local dealer.

Failure to follow these instructions can result in death, fire, electrical shock, or serious injury.



- A. Standard rear offset exhaust installation
- B. Left or right side exhaust installation (27" wide models only)
- C. Bottom exhaust installation (27" wide models only)

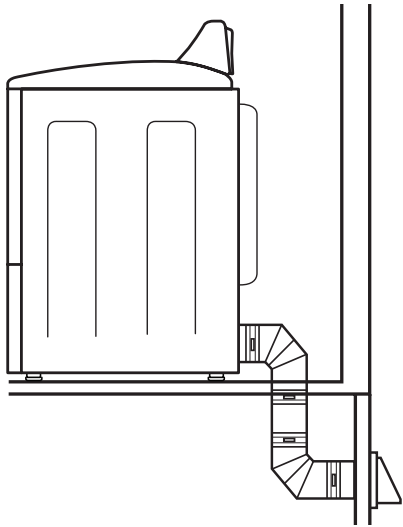
## Venting Kits

For more information, call **1-800-901-2042**, or visit us at [www.applianceaccessories.com](http://www.applianceaccessories.com). In Canada, call **1-800-807-6777** or visit us at [www.whirlpoolparts.ca](http://www.whirlpoolparts.ca).

Part Number	Descriptions
8171587RP	0-5" Metal vent periscope
4396037RP	0"-18" Metal vent periscope
4396011RP	18" - 29" Metal vent periscope
4396014	29" - 50" Metal vent periscope
4392892	In-Wall metal DuraVent™ Periscope
279818	4-way vent kit - white (27" Dryers Only)
W10186596	4-way vent kit - universal grey (27" Dryers Only)
4396028	Sure Connect™ venting kit (over-the-top installation)
4396009RP	5' Universal connect vent, flexible dryer venting
4396010RP	6' SecureConnect™ vent, flexible dryer venting
4396013RB	Dryer vent installer's kit
4396033RP	5' flexible dryer venting with clamps
4396727RP	8' flexible dryer venting with clamps
4396004	Dryer offset elbow
4396005	Wall offset elbow
4396006RW	DuraSafe™ close elbow
4396007RW	Through-the-wall vent cap
4396008RP	4" steel dryer venting clamps - 2 pack
8212662	Flush mounting louvered vent hood 4"

**Special provisions for mobile home installations:**

The exhaust vent must be securely fastened to a noncombustible portion of the mobile home structure and must not terminate beneath the mobile home. Terminate the exhaust vent outside.



The Vent system chart provides venting requirements that will help achieve best drying performance.

Vent System Chart			
Number of 90° turns or elbows	Type of vent	Box/louvered hoods	Angled hoods
0	Rigid metal	64 ft. (20 m)	58 ft. (17.7 m)
1	Rigid metal	54 ft. (16.5 m)	48 ft. (14.6 m)
2	Rigid metal	44 ft. (13.4 m)	38 ft. (11.6 m)
3	Rigid metal	35 ft. (10.7 m)	29 ft. (8.8 m)
4	Rigid metal	27 ft. (8.2 m)	21 ft. (6.4 m)

**NOTE:** Side and bottom exhaust installations for 27" wide models have a 90° turn inside the dryer. To determine maximum exhaust length, add one 90° turn to the chart.

**Determine vent path:**

- Select route that will provide straightest and most direct path outdoors.
- Plan installation to use fewest number of elbows and turns.
- When using elbows or making turns, allow as much room as possible.
- Bend vent gradually to avoid kinking.
- Use as few 90° turns as possible.

**Determine vent length and elbows needed for best drying performance:**

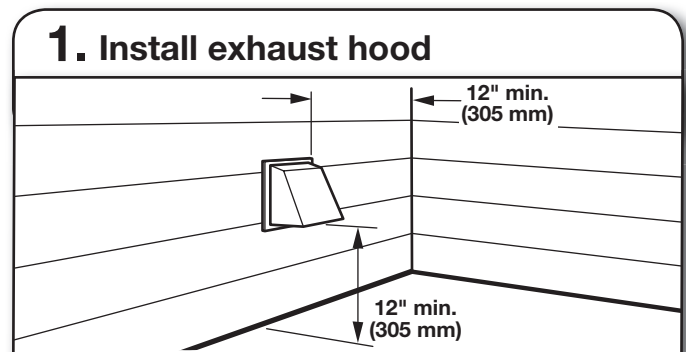
- Use following Vent system chart to determine type of vent material and hood combinations acceptable to use.

**NOTE:** Do not use vent runs longer than those specified in Vent system chart. Exhaust systems longer than those specified will:

- Shorten life of dryer.
- Reduce performance, resulting in longer drying times and increased energy usage.

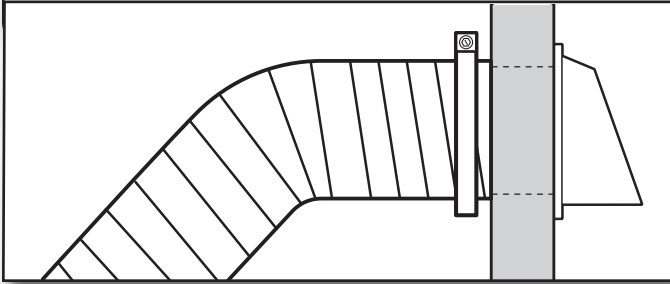
Vent System Chart (29" Wide Long Vent Models Only)		
Number of 90° turns or elbows	Type of vent	Box/louvered, or Angled hoods
0	Rigid metal	120 ft. (36.6 m)
1	Rigid metal	110 ft. (33.5 m)
2	Rigid metal	100 ft. (30.5 m)
3	Rigid metal	90 ft. (27.4 m)
4	Rigid metal	80 ft. (24.4 m)
5	Rigid metal	70 ft. (21.3 m)

**Install Vent System**



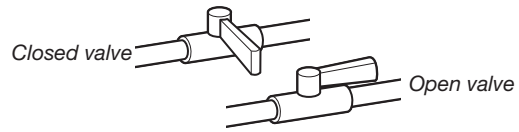
Install exhaust hood and use caulking compound to seal exterior wall opening around exhaust hood.

## 2. Connect vent to exhaust hood



Vent must fit over the exhaust hood. Secure vent to exhaust hood with 4" (102 mm) clamp. Run vent to dryer location using straightest path possible. Avoid 90° turns. Use clamps to seal all joints. Do not use duct tape, screws, or other fastening devices that extend into interior of vent to secure vent, because they can catch lint.

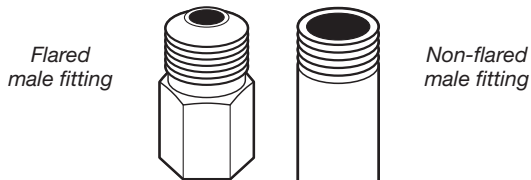
## 3. Open shut-off valve



Open shut-off valve in supply line; valve is open when handle is parallel to gas pipe. Then, test all connections by brushing on an approved noncorrosive leak-detection solution. Bubbles will show a leak. Correct any leaks found.

## Make Gas Connection

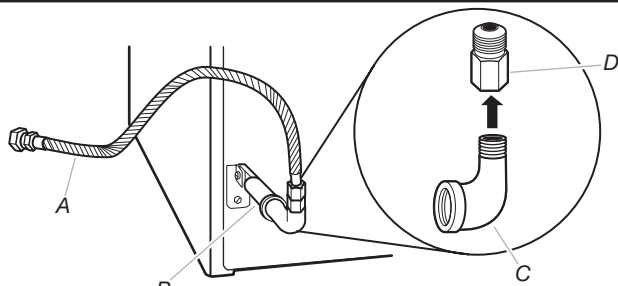
### 1. Connect gas supply to dryer



Remove red cap from gas pipe. Using a wrench to tighten, connect gas supply to dryer. Use pipe-joint compound on threads of all non-flared male fittings. If flexible metal tubing is used, be sure there are no kinks.

**NOTE:** For LP gas connections, you must use pipe-joint compound resistant to action of LP gas. Do not use TEFLON<sup>®†</sup> tape.

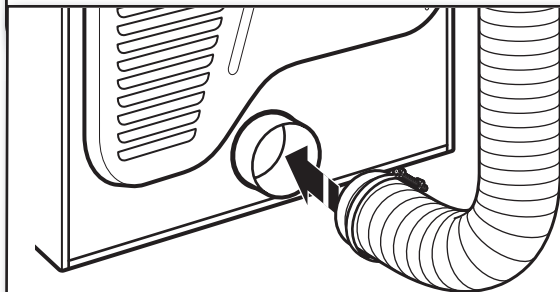
### 2. Plan pipe fitting connection



A. 3/8" flexible gas connector  
B. 3/8" dryer pipe  
C. 3/8" to 3/8" pipe elbow  
D. 3/8" pipe-to-flare adapter fitting

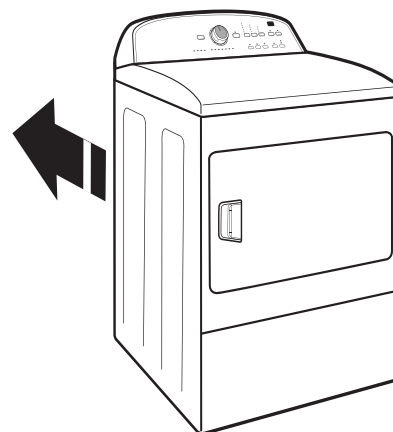
A combination of pipe fittings must be used to connect dryer to existing gas line. A recommended connection is shown. Your connection may be different, according to supply line type, size, and location.

### 1. Connect vent to exhaust outlet



Using a 4" (102 mm) clamp, connect vent to exhaust outlet in dryer. If connecting to existing vent, make sure vent is clean. Dryer vent must fit over dryer exhaust outlet and inside exhaust hood. Check that vent is secured to exhaust hood with a 4" (102 mm) clamp.

### 2. Move dryer to final location

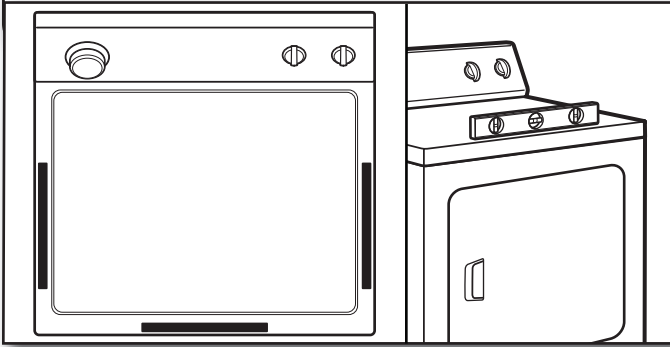


Move dryer to final location. Avoid crushing or kinking vent. After dryer is in place, remove corner posts and cardboard from under the dryer.

†TEFLON is a registered trademark of E.I. DuPont De Nemours and Company.

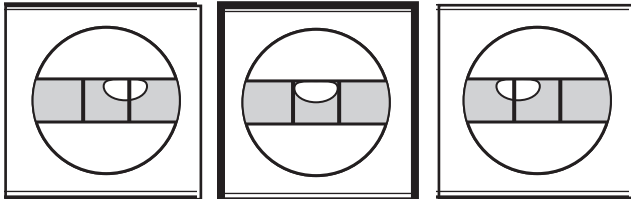
## Level Dryer

### 1. Level dryer



Check levelness of dryer from side to side. Repeat from front to back.

**NOTE:** The dryer must be level for the moisture sensing system to operate correctly.

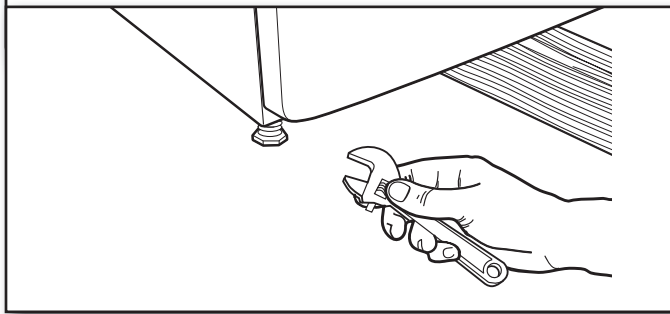


Not Level

LEVEL

Not Level

### 2. Tighten and adjust leveling legs



If dryer is not level, prop up using a wood block, use wrench to adjust legs up or down, and check again for levelness. Once legs are level, make sure all four legs are snug against the ground before tightening them.

## Complete Installation Checklist

- Check that all parts are now installed. If there is an extra part, go back through steps to see what was skipped.
- Check that you have all of your tools.
- Dispose of/recycle all packaging materials.
- Check dryer's final location. Be sure vent is not crushed or kinked.
- Check that dryer is level. See "Level Dryer".

- Remove film on console and any tape remaining on dryer.
- Wipe dryer drum interior thoroughly with a damp cloth to remove any dust.
- Read "Dryer Use" in your Use and Care Guide.
- Set the dryer on a full heat cycle (not an air cycle) for 20 minutes and start the dryer.

#### If the dryer will not start, check the following:

- Dryer is plugged into a grounded 3 prong outlet.
  - Electrical supply is connected.
  - Household fuse is intact and tight, or circuit breaker has not tripped.
  - Dryer door is closed.
- When the dryer has been running for 5 minutes, open the dryer door and feel for heat. If you feel heat, cancel cycle and close the door.

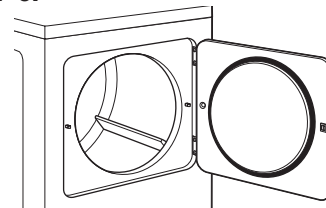
If you do not feel heat, turn the dryer off and check to see whether gas supply line shutoff valve is open.

- If the gas supply line shutoff valve is closed, open it, then repeat the 5-minute test as outlined above.
- If the gas supply line shutoff valve is open, contact a qualified technician.

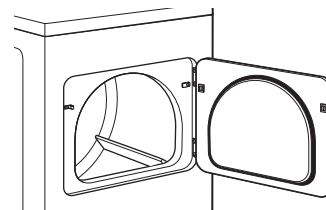
**NOTE:** You may notice an odor when the dryer is first heated. This odor is common when the heating element is first used. The odor will go away.

## Reverse Door Swing (Optional)

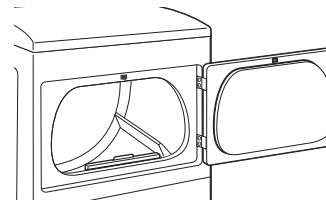
If your door is the 29" Large Side-Swing Door, follow steps 1-6.



If your door is the 29" Super Wide Side-Swing Door, follow steps 1-13.

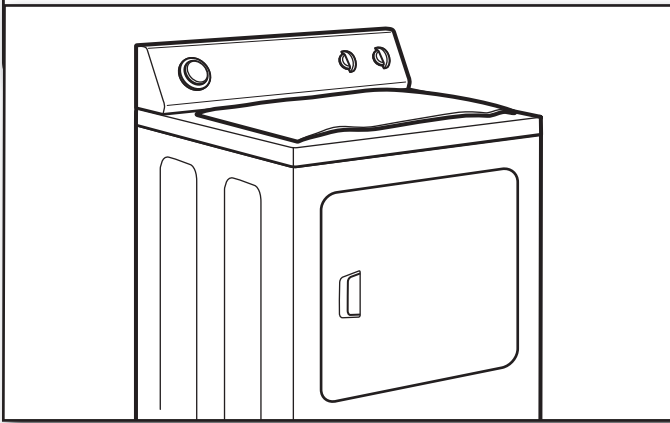


If your door is the 27" Wide Side-Swing Door, follow steps 1-11.



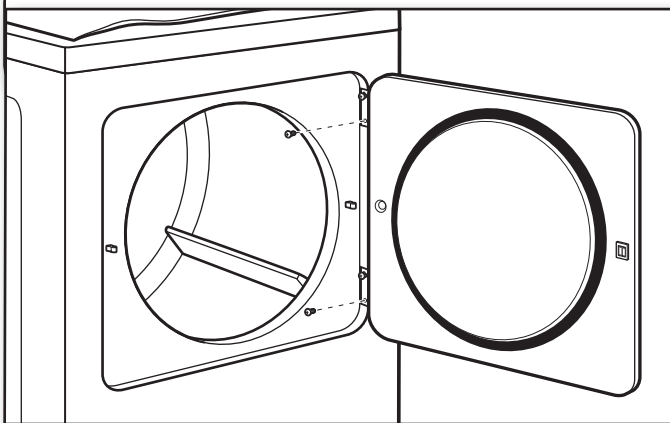
**NOTE:** Magnetized screw driver is helpful.

### 1. Place towel on dryer



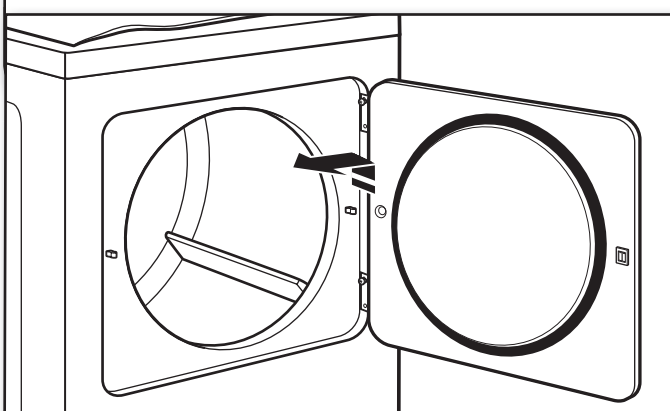
Place towel on top of dryer to avoid damaging the surface.

### 2. Remove bottom screws



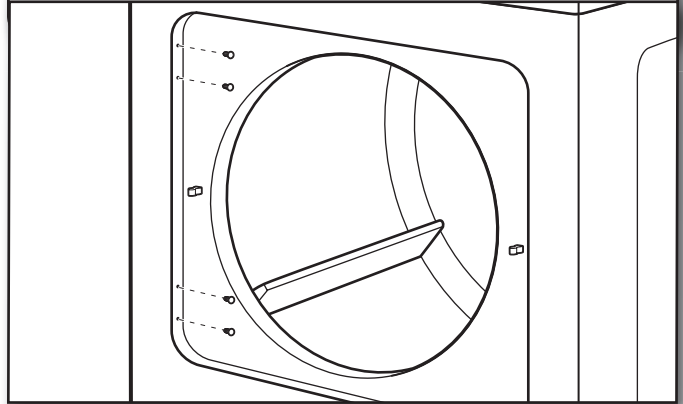
Open dryer door. Remove bottom screws from dryer cabinet side of hinges. Loosen (do not remove) top screws from dryer cabinet side of hinges.

### 3. Lift door off top screws



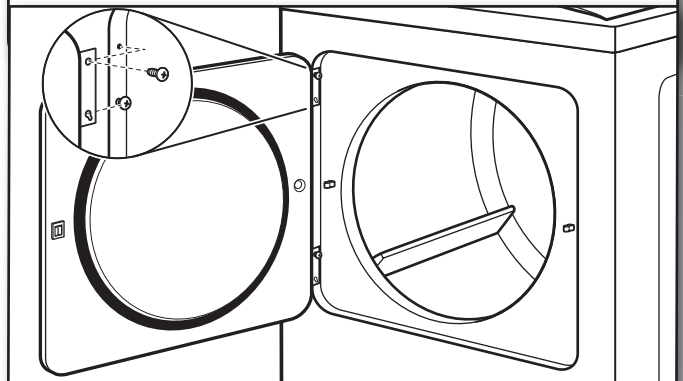
Lift door until top screws in cabinet are in large part of hinge slot. Pull door forward off screws. Set door on top of dryer. Remove top screws from dryer cabinet.

### 4. Remove and transfer hinge hole plugs



Use a small, flat-blade screwdriver to gently remove 4 hinge hole plugs on left side of dryer cabinet. Insert plugs into hinge holes on opposite side of dryer cabinet.

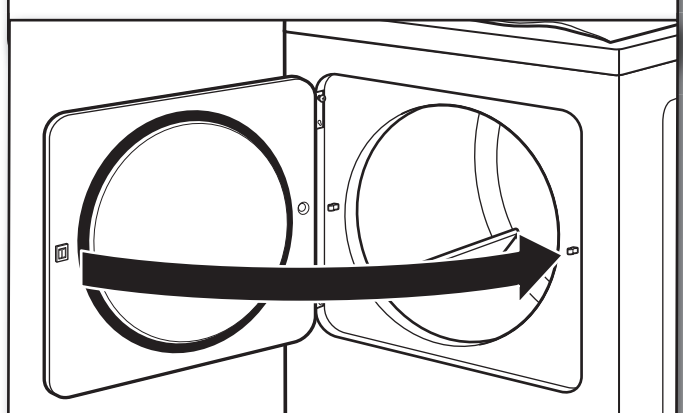
### 5. Insert screws in hinge holes on dryer cabinet



**NOTE:** Two people maybe needed to reinstall door.

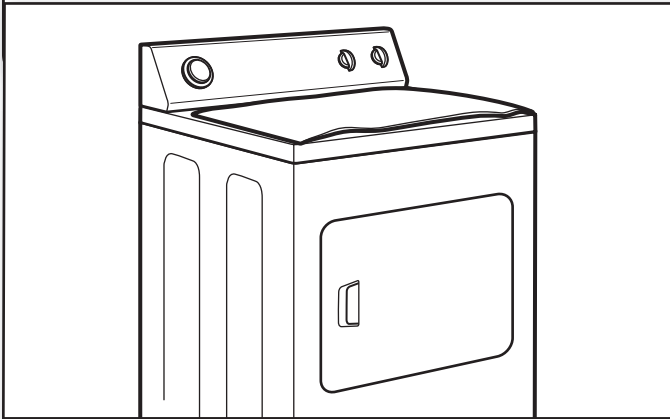
Insert screws into bottom holes on left side of dryer cabinet. Tighten screws halfway. Position door so large end of door hinge slot is over screws. Slide door up so screws are in bottom of slots. Tighten screws. Insert and tighten top screws in hinges.

### 6. Check door strike alignment



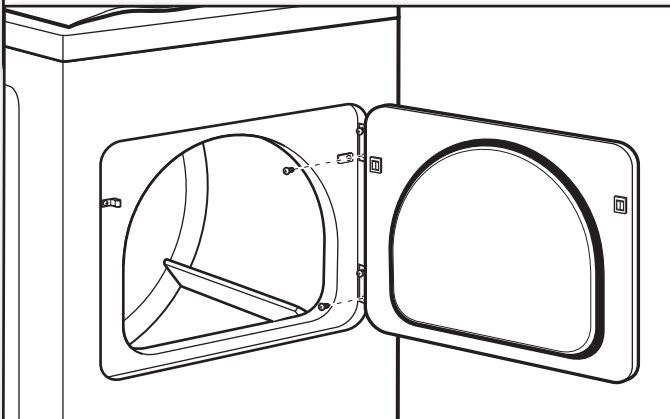
Close door and check that door strike aligns with door catch. If needed, slide door catch left or right within slot to adjust alignment.

### 1. Place towel on dryer



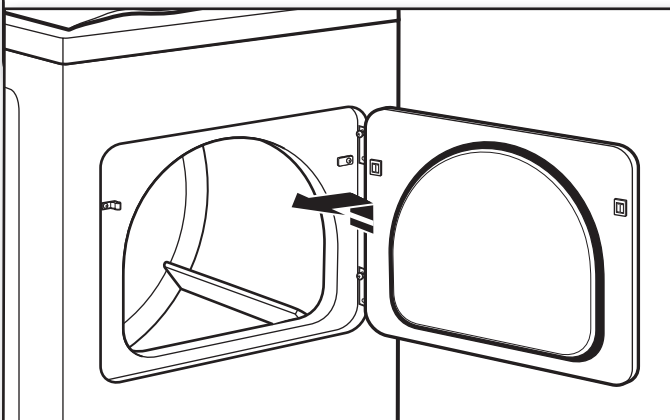
Place towel on top of dryer to avoid damaging the surface.

### 2. Remove bottom screws



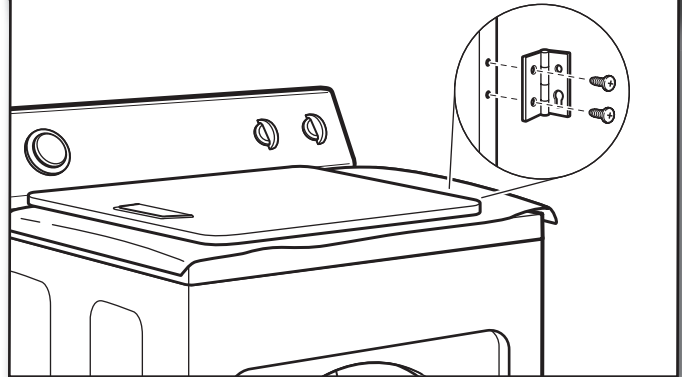
Open dryer door. Remove bottom screws from dryer cabinet side of hinges. Loosen (do not remove) top screws from dryer cabinet side of hinges.

### 3. Lift door off top screws



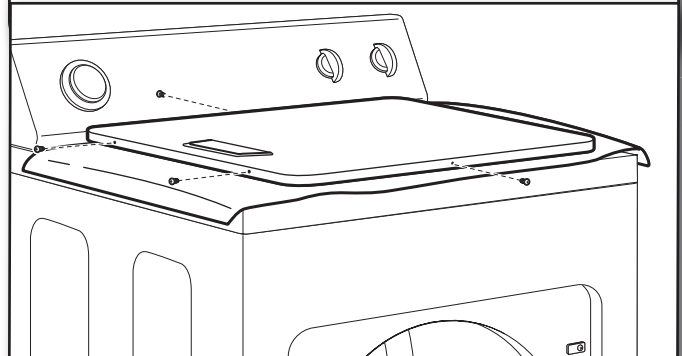
Lift door until top screws in dryer cabinet are in large part of hinge slot. Pull door forward off screws. Set door (handle side up) on top of dryer. Remove top screws from dryer cabinet.

### 4. Remove screws from hinges



Remove screws attaching hinges to door.

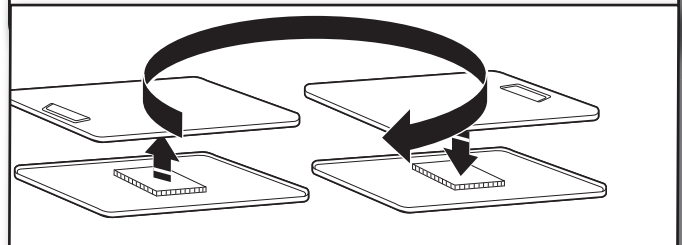
### 5. Remove screws from door



Remove screws at top, bottom, and side of door (4 screws). Keep door screws separate from hinge screws as they are different sizes. Holding door over towel on dryer, grasp sides of outer door and lift to separate it from inner door.

**NOTE:** Do not pry apart with putty knife or screwdriver. Do not pull on door seal or plastic door catches.

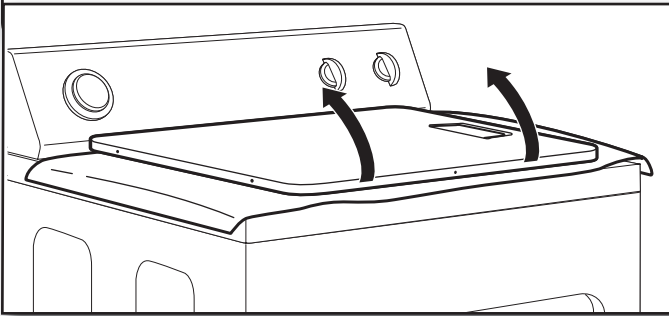
### 6. Rotate outer door



Take outer door and rotate in 180° and set it back down on inner door. Be certain to keep cardboard spacer centered between doors. Reattach outer door panel to inner door panel so handle is on the side where hinges were just removed. Insert 4 door screws.

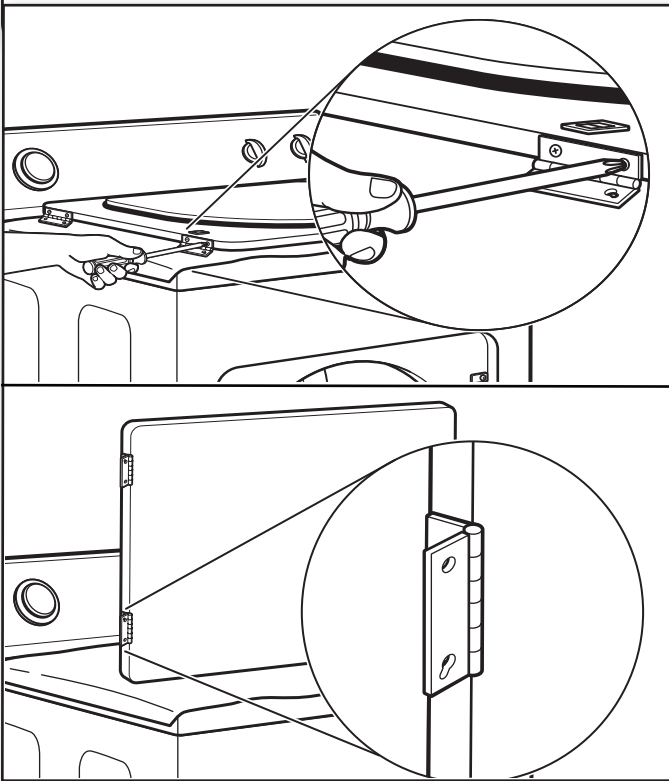


## 7. Flip door over



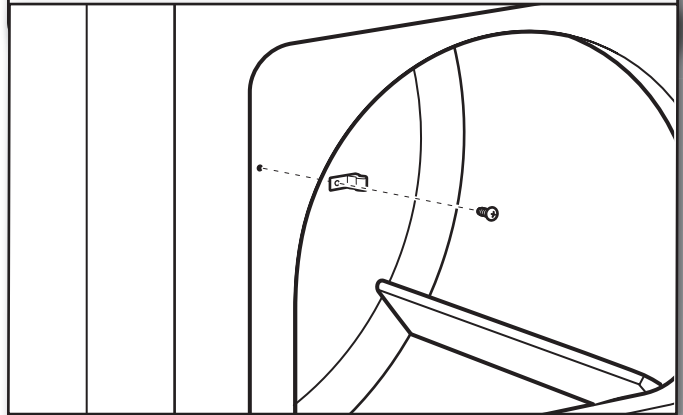
Flip door over so handle side is down.

## 8. Attach door hinges



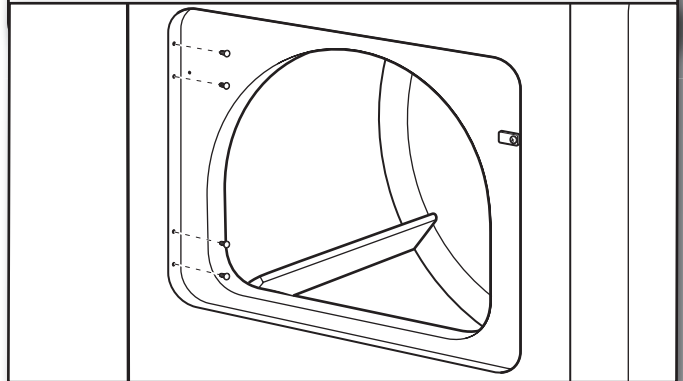
Reattach door hinges to dryer door so that the larger hole is at the bottom of the hinge.

## 9. Remove door strike



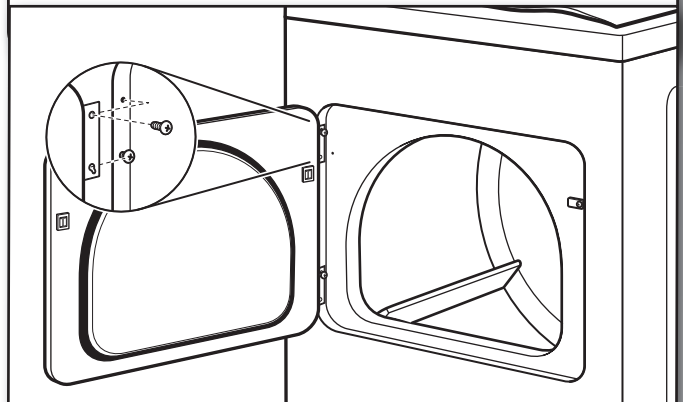
Remove door strike from dryer cabinet and set aside.

## 10. Remove and transfer hinge hole plugs



Use a small, flat-blade screwdriver to gently remove 4 hinge hole plugs on left side of dryer cabinet. Transfer plugs into hinge holes on opposite side of dryer cabinet.

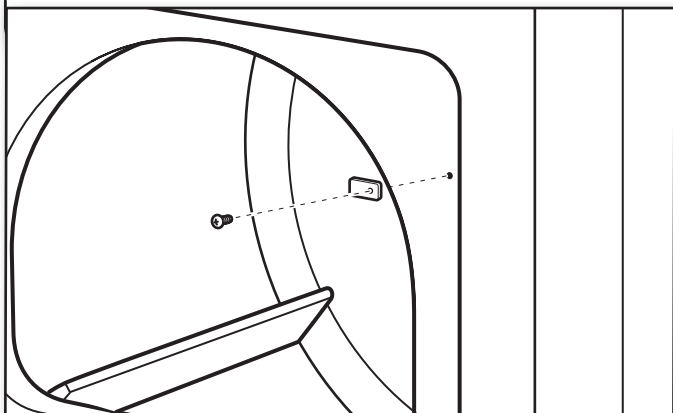
## 11. Insert screws in hinge holes on dryer cabinet



**NOTE:** Two people maybe needed to reinstall door.

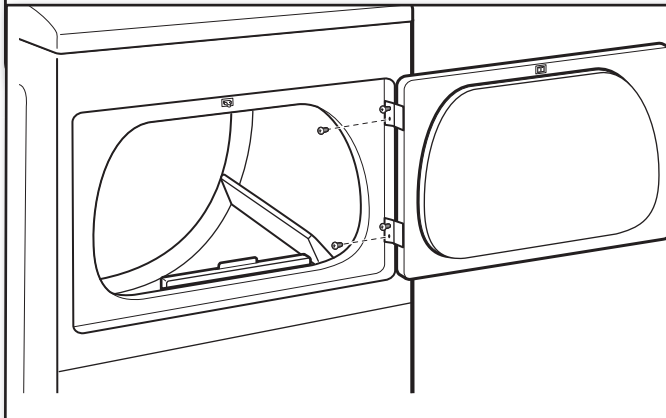
Insert screws into the bottom holes on left side of dryer cabinet. Tighten screws halfway. Position door so large end of door hinge slot is over screws. Slide door up so screws are in bottom of slots. Tighten screws. Insert and tighten top screws in hinges.

## 12. Remove door strike plug



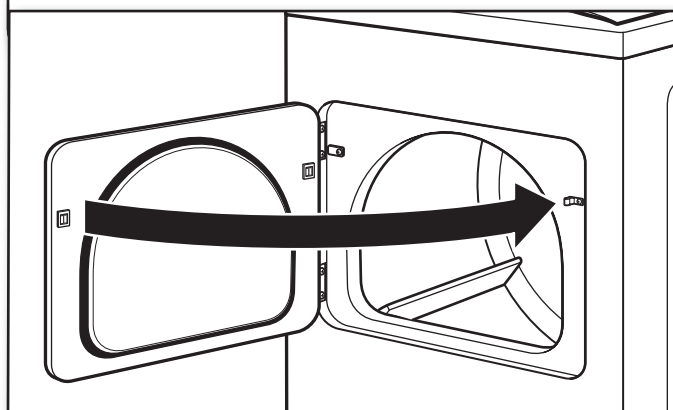
Remove door strike plug. Insert the door strike removed in Step 9 into hole and secure with screw. Insert door strike plug into original door strike hole and secure with screw.

## 2. Remove bottom screws



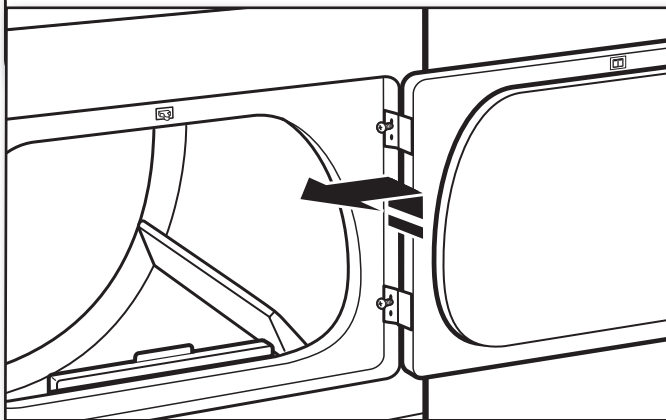
Open dryer door. Remove bottom screws from dryer cabinet side of hinges. Loosen (do not remove) top screws from dryer cabinet side of hinges.

## 13. Check door strike alignment



Close door and check that door strike aligns with door catch. If it is needed, slide door catch left or right within slot to adjust alignment.

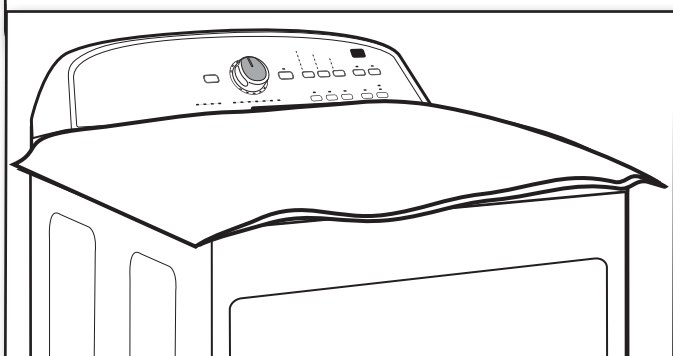
## 3. Lift door off top screws



Lift door until top screws in dryer cabinet are in large part of hinge slot. Pull door forward off screws. Set door (handle side up) on top of dryer. Remove top screws from dryer cabinet.

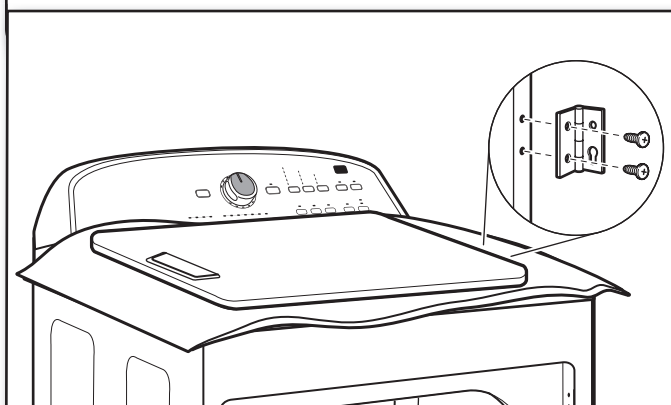
### 27" Wide Model Side-Swing Door

## 1. Place towel on dryer



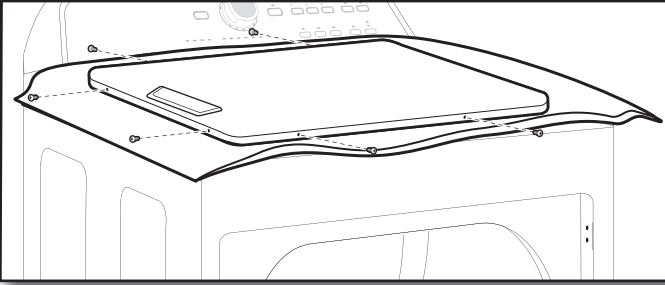
Place towel on top of dryer to avoid damaging the surface.

## 4. Remove screws from hinges



Remove screws attaching hinges to door.

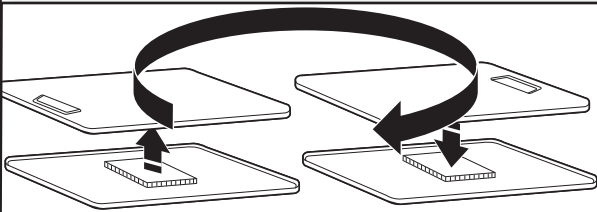
## 5. Remove screws from door



Remove screws at top, bottom, and side of door (5 screws). Keep door screws separate from hinge screws as they are different sizes. Holding door over towel on dryer, grasp sides of outer door and lift to separate it from inner door.

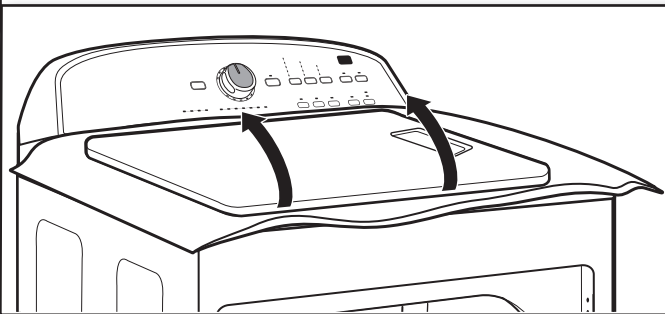
**NOTE:** Do not pry apart with putty knife or screwdriver. Do not pull on door seal or plastic door catches.

## 6. Rotate outer door



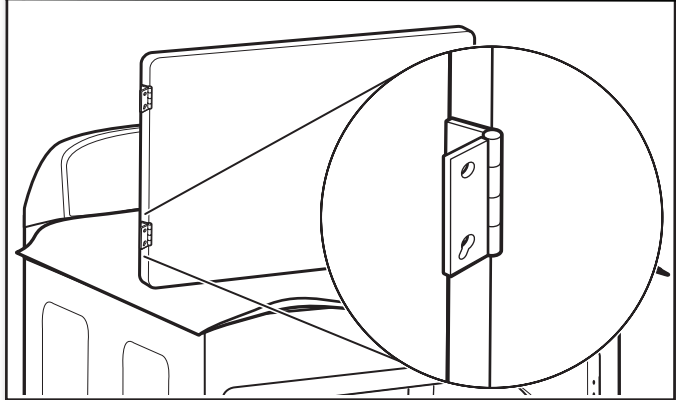
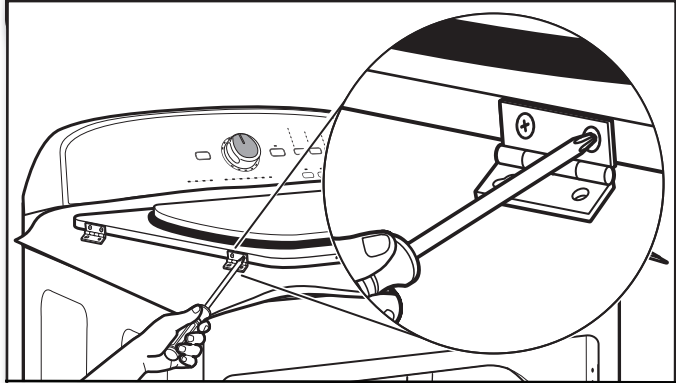
Take outer door and rotate it 180° and set it back down on inner door. Be certain to keep cardboard spacer centered between doors. Reattach outer door panel to inner door panel so handle is on the side where hinges were just removed. Insert 5 door screws.

## 7. Flip door over



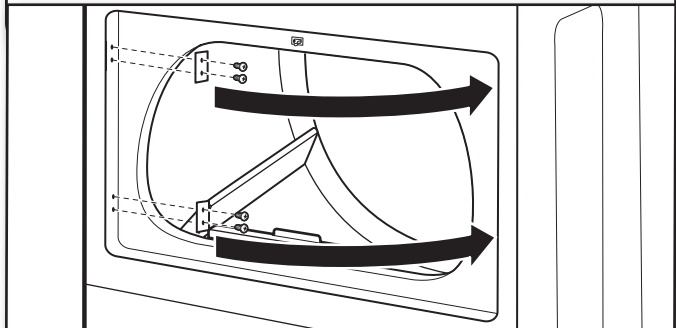
Flip door over so handle side is down.

## 8. Attach door hinges



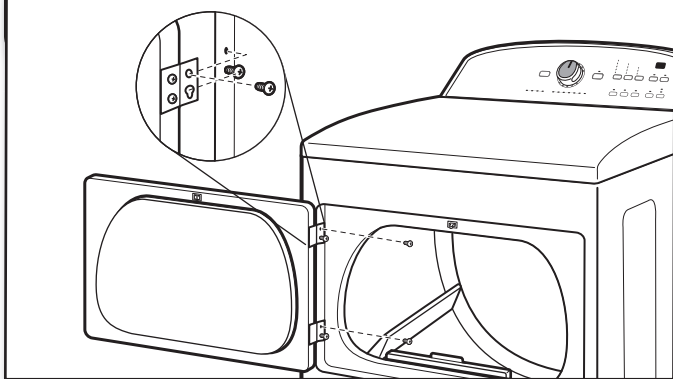
Reattach door hinges to dryer door so that the larger hole is at the bottom of the hinge.

## 9. Remove and transfer plugs



Remove the 4 screws that attach 2 plugs on the left side. Transfer plugs to opposite side using the same 4 screws.

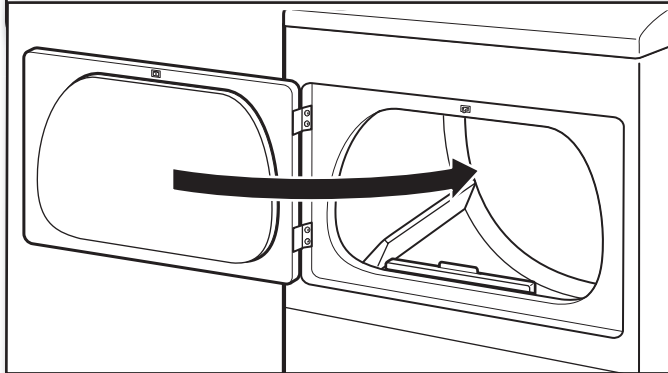
## 10. Insert screws in hinge holes on dryer cabinet



**NOTE:** 2 people maybe needed to reinstall door.

Insert screws into the bottom holes on left side of dryer cabinet. Tighten screws halfway. Position door so large end of door hinge slot is over screws. Slide door up so screws are in bottom of slots. Tighten screws. Insert and tighten top screws in hinges.

## 11. Check door strike alignment



Close door and check that door strike aligns with door catch. If it is needed, slide door catch left or right within slot to adjust alignment.

---

## Troubleshooting

See the Use and Care Guide or visit our website and reference Frequently Asked Questions to possibly avoid the cost of a service call.