

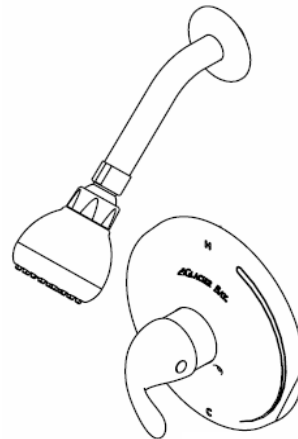
PRESSURE BALANCED SHOWER ONLY FAUCET

816-635

F1AA4217BNV

FEATURES:

- Solid brass and copper waterways
- Drip-free ceramic cartridge
- Metal lever handle
- Max flow rate: 2.5 GPM at 80Psi
- Meets ADA requirements
- 100% factory pressure tested before shipment



CODES / STANDARDS APPLICABLE:

Specified model meets or exceeds the following:

- ANSI/ASME A112.18.1
- IAPMO/UPC
- CSA B125
- ADA

COLOR FINISHES:

- BNV = Brushed Nickel

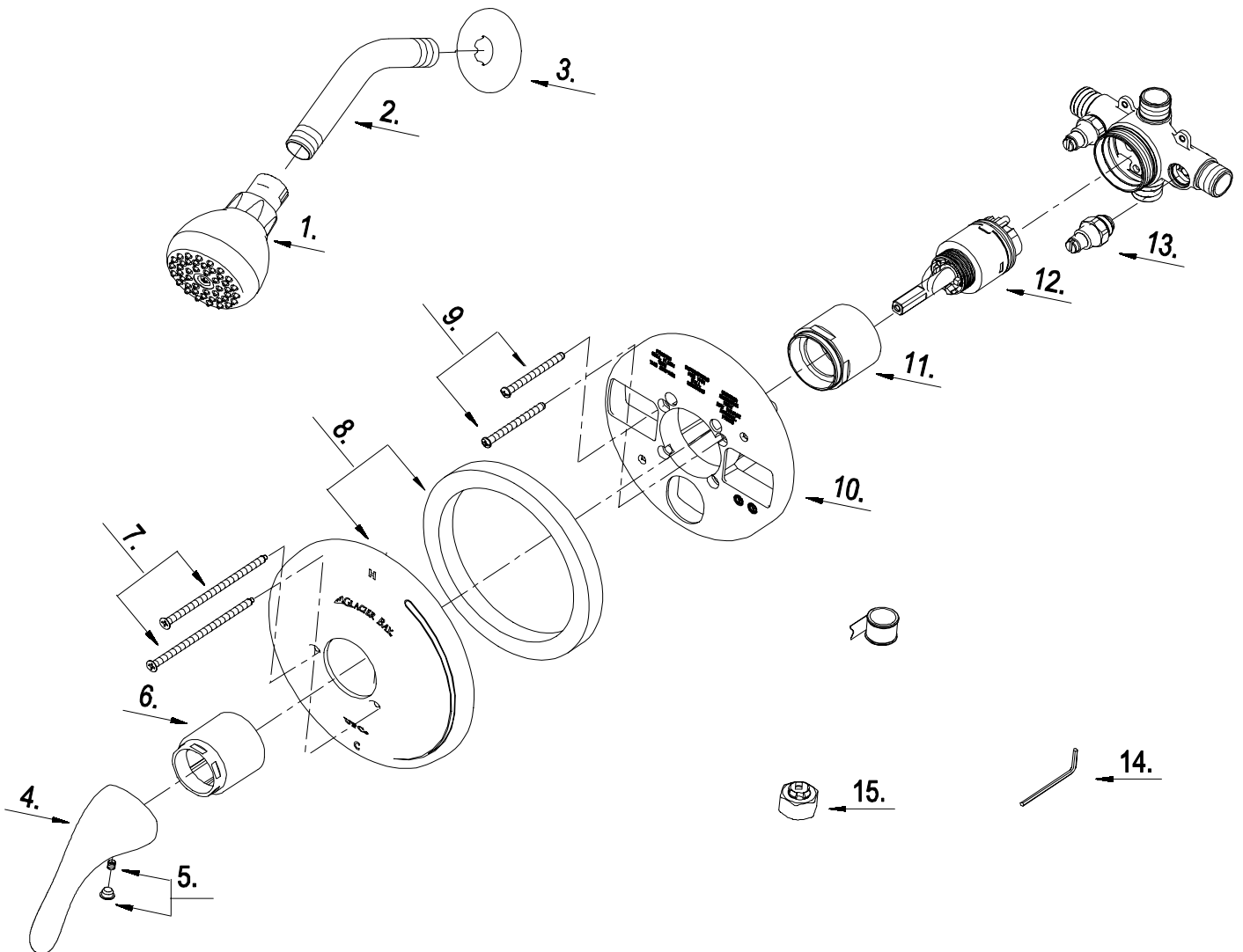
SPECIFIED MODEL:

Model	Description	Finish
816-635	Pressure Balanced Shower Only Faucet	Brushed Nickel

816-635

F1AA4217BNV

EXPLODED DRAWING



816-635**F1AA4217BNV****PARTS LISTING**

No.	Part Number	Finish	Part Description
		816-635	
1	S1211306	BNV	Shower Head
2	A020002	BNV	Shower Arm
3	A019001	BNV	Shower Arm Flange
4	A069752	BNV	Metal Handle
5	A66D814GD		Handle Cap
6	A103311	BNV	Trim Cap
7	A608564		Screw Set (3/16" -24 * 4 " L)
8	A667103	BNV	Escutcheon Assembly
9	A608519		Screw Set (3/16" -24 * 2-3/16" L)
10	A127211KP		Plaster Guard
11	A103303	BNV	Sleeve
12	A507887		Ceramic Disc Cartridge
13	A603120		Check Valve
14	A031000NI		Hex Wrench (H2.5 * 19 mm L * 53 mm L)
15	A028452		Plug