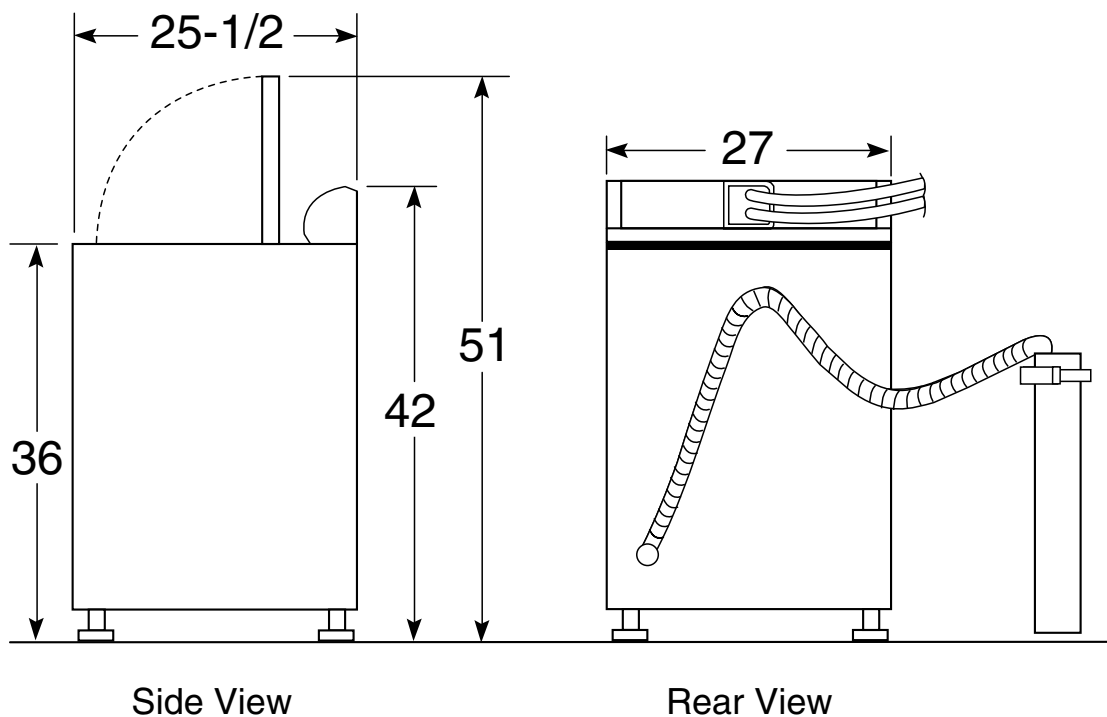


HOTPOINT®

VBSR3100G— Hotpoint 3.2 Cu. Ft. Super Capacity Washer

Washer Dimensions (in inches)



Circuit Requirements: An individual, properly-grounded branch circuit, with a three-prong grounding-type receptacle, protected by a 15 or 20 amp circuit breaker or a time-delay fuse, is required.

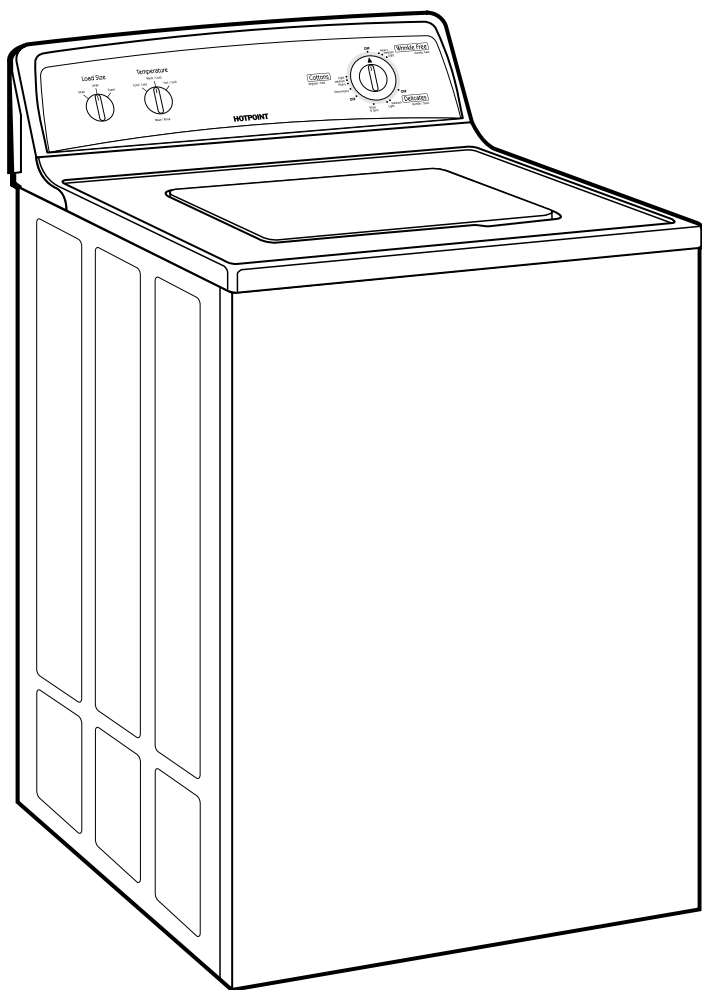
Electrical Rating: 115V, 60Hz, 10 Amps

Installation Information: Before installing, consult installation instructions packed with product for current dimensional data.

Washer Note: Washer wall outlet must be located within 36" of service cord entry. Wall outlet must not be located behind dryer.

HOTPOINT®

VBSR3100G – Hotpoint 3.2 Cu. Ft. Super Capacity Washer



Features and Benefits

- 3.2 Cu. Ft. Super PermaTuf® II Wash Basket - Designed to maintain a long-lasting stain-free appearance with bright white interior
- Three Wash/Spin Speed Combinations - Alternate between high, medium and low speeds for better clothes care
- 10 Wash Cycles - A setting for almost every load, from heavy cottons to delicate synthetics
- Three Wash/Rinse Temperatures - Offer better wash results and longer fabric life
- Three Water Levels - Minimize water waste
- FlexCare™ Agitator - Provides gentle, yet effective washing action
- Rotary Electromechanical Controls - Allow fast, easy cycle selection
- Bleach Dispenser - Automatically mixes bleach with wash water for proper bleaching action
- Model VBSR3100GWW – White on white