

4061 or 4062 Series Installation Instructions

Multi size 1 thru 6
Non hold open door closers

CAUTION
An incorrectly installed or improperly adjusted door closer can cause property damage or personal injury. These instructions should be followed to avoid the possibility of misapplication or misadjustment

Regular Arm Installation
closer mounts on hinge (pull) side of door
See page 3.
closer cover not shown

Left hand door-LH
Right hand reverse-RHR

Right hand door-RH
Left hand reverse-LHR

Top Jamb Installation
closer mounts on frame face on opposite hinge (push) side of door
See page 4.
closer cover not shown

Left hand door-LH
Right hand reverse-RHR

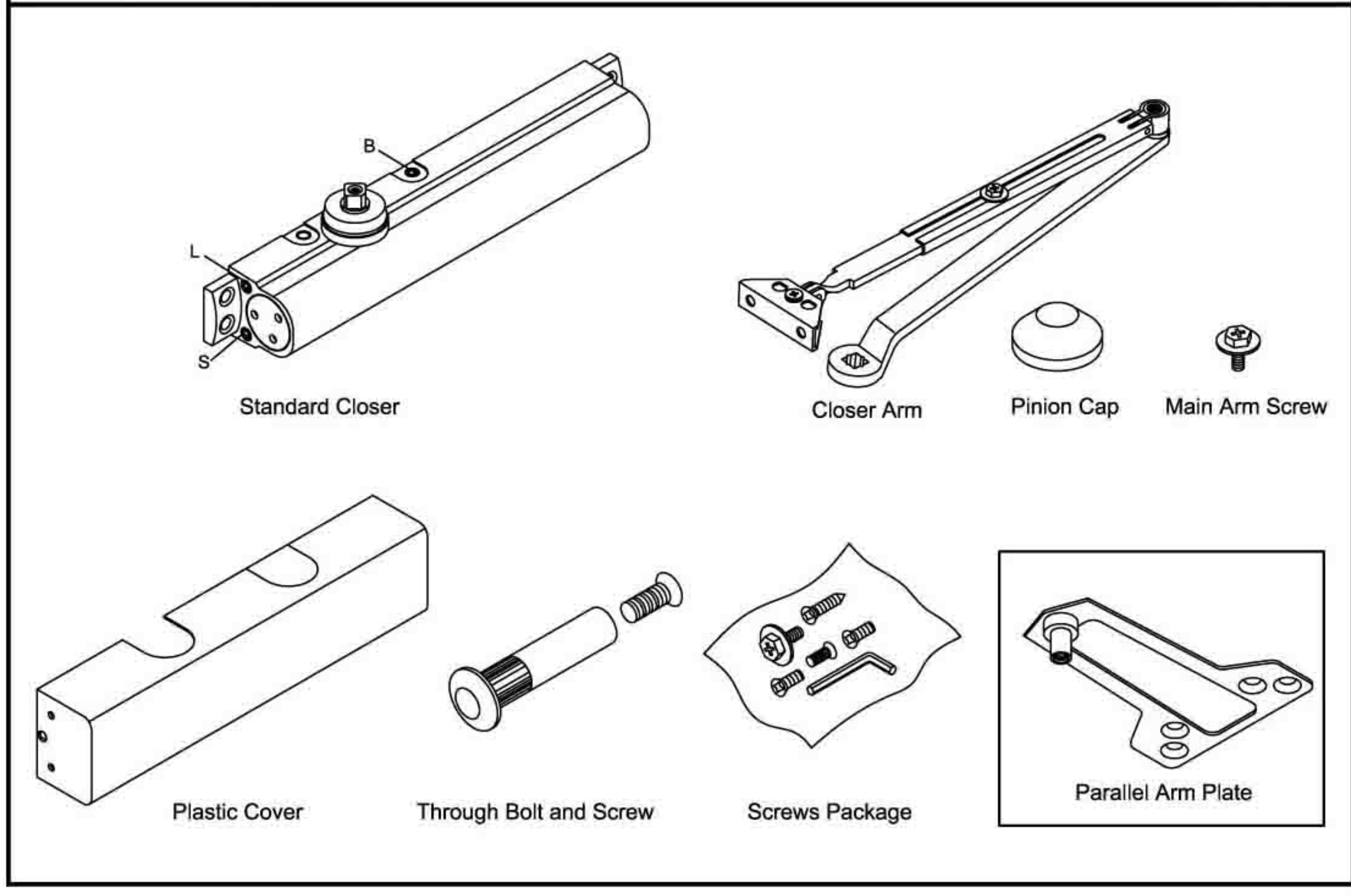
Right hand door-RH
Left hand reverse-LHR

parallel Arm Installation
closer mounts on opposite to hinge (push) side of door
See page 5.
closer cover not shown

Left hand door-LH
Right hand reverse-RHR

Right hand door-RH
Left hand reverse-LHR

Components: Figure 1



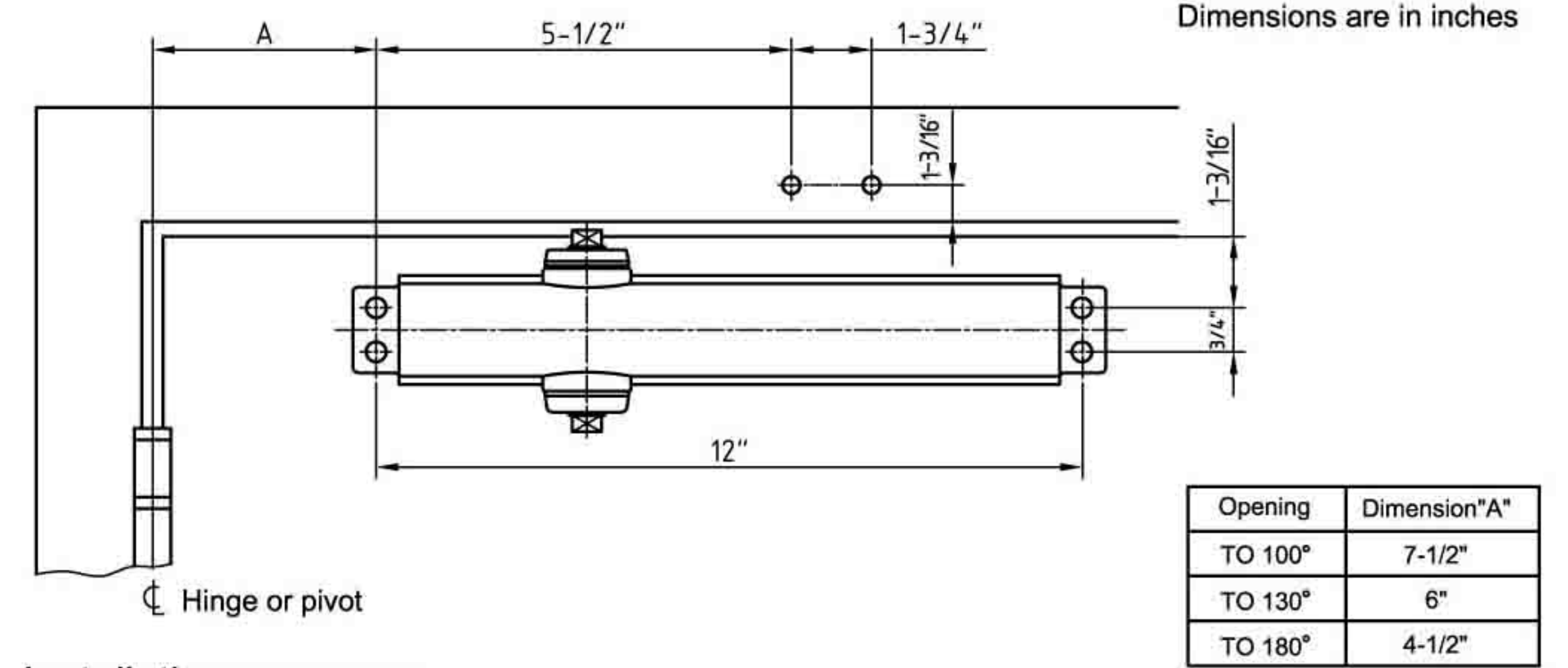
- It is recommended that the door be hung on ball bearing type hinges so door swings freely.
- A separate door stop (supplied by others) is recommended to prevent damage to the door closer, closer arm, or to the door, frame or adjacent walls.
- Door and frame must be properly reinforced or through bolts used to prevent the mounting screws from pulling out.

Preparation for Fasteners		
Fasteners	Door or Frame	Drill-Sizes
Self Drilling/Tapping Machine Screw	Hollow Metal or Aluminum	No drill required
	Wood (see note)	3/16" pilot hole
1/4"-20 Machine Screw	Hollow Metal	Drill #7(0.201" dia.) & Tap 1/4"-20
1/4"-20 Machine Screw used with Through Bolt	Hollow Metal or Aluminum	9/32" drill closer side & 3/8" drill opposite side
	Wood	
Wood Screw	Wood	3/16" pilot hole

NOTE: Wood doors/frames must have a pilot hole drilled when using Self Drilling/Tapping screws.

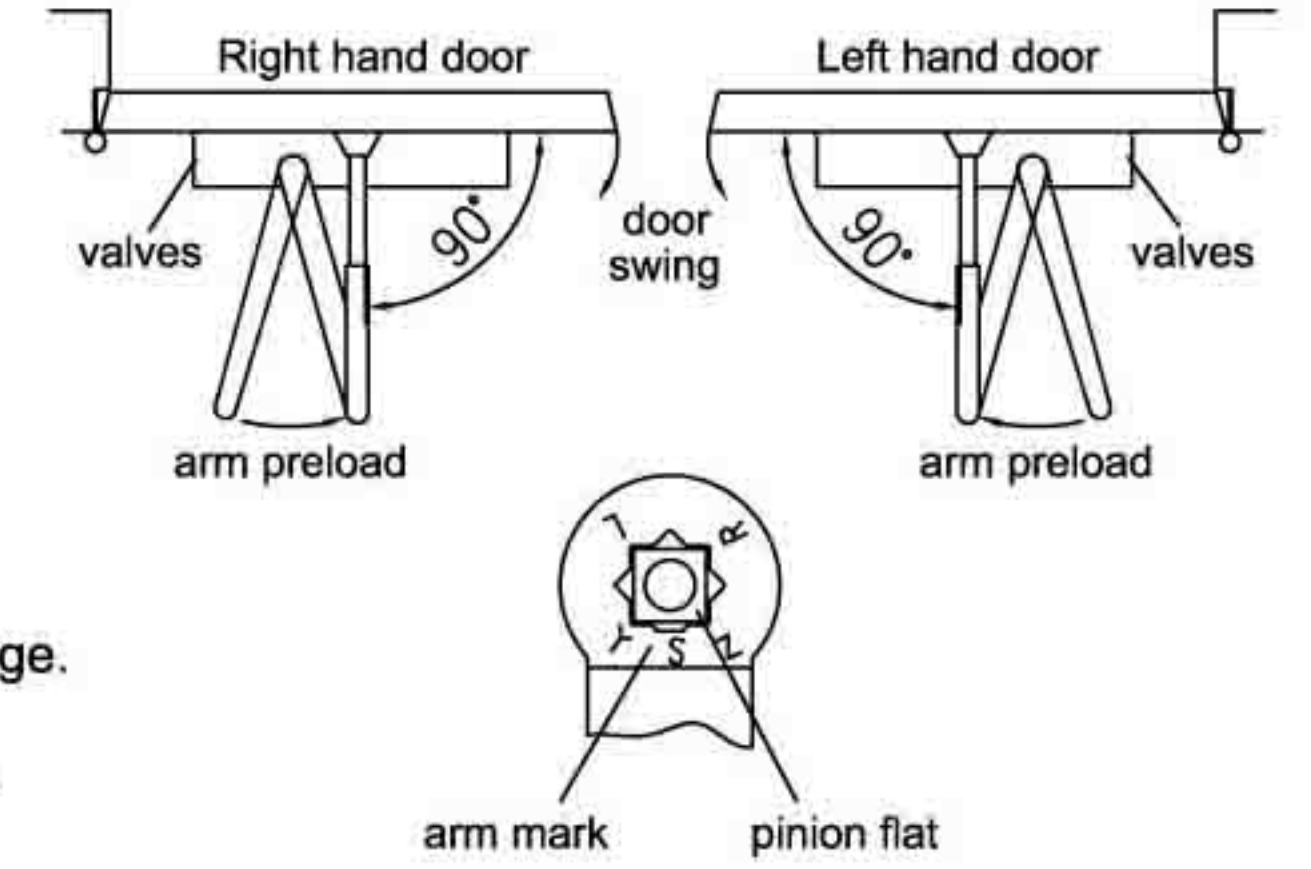
Installation Instructions

Regular Arm Template



Installation sequence

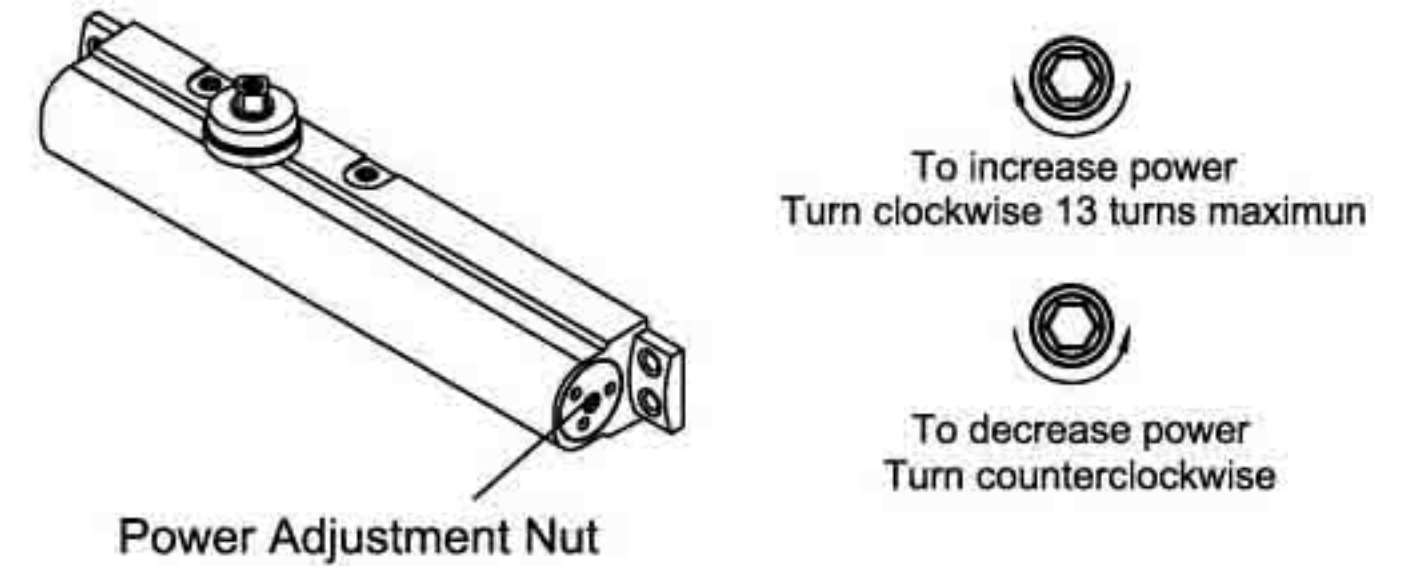
- Select degree of opening and use dimensions shown to locate 4 holes on door for closer body and 2 holes on frame face for arm shoe. For application that are different from above, a separate template will be required
- Prepare door and frame for fasteners. See "Preparation for Fasteners", Figure 2, Page 2.
- Before installing closer body....set spring power for closer using Power adjustment chart, below right.
- Install closer on door with speed regulating valves toward the hinge.
- Remove forearm screw from adjusting rod and disassemble arm. See Figure 1, Fasten arm shoe (with rod) to frame face.
- Mount main arm onto closer pinion shaft, aligning arm mark "S" with pinion flat. Secure with main arm screw.
- Reassemble arm. Adjust forearm length so that it will be perpendicular (at a 90° angle) to the door face. Secure with forearm screw.
- Adjust closer (see page 6) and install cover.



Power Adjustment Chart

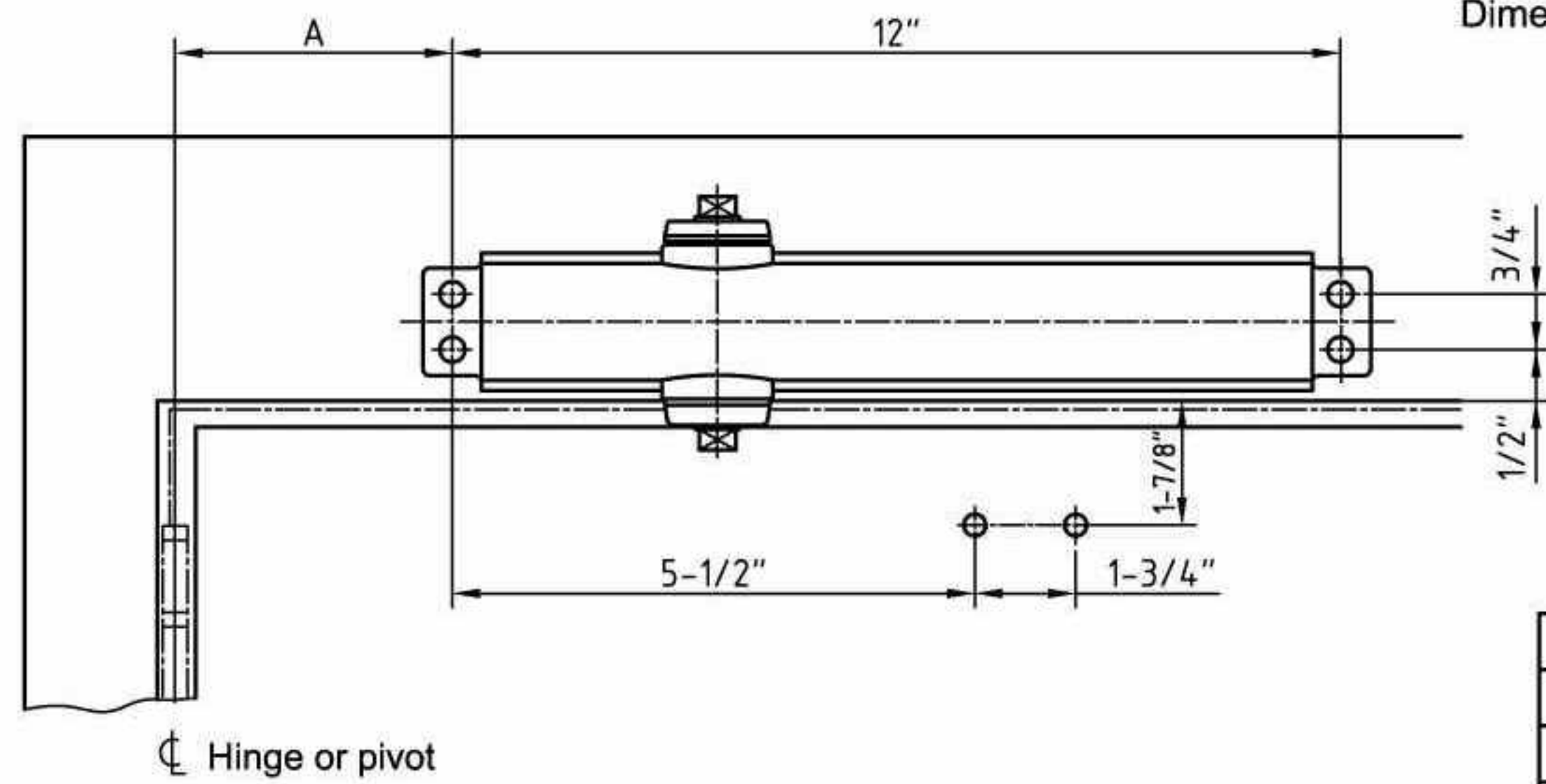
door size inches	Full clockwise turns of closer power adjustment nut (from "0" turns)	
	interior door	exterior door
24"-30"	-7	-5
30"-34"	-3	0
34"-38"	0	4
38"-48"	4	8
48"-54"	8	13
54"-60"	13	

NOTE: Maximum of 20 turns (360°) of power adjustment Nut. Closer is shipped set at 7 turns from the factory



Installation Instructions

Top Jamb Template

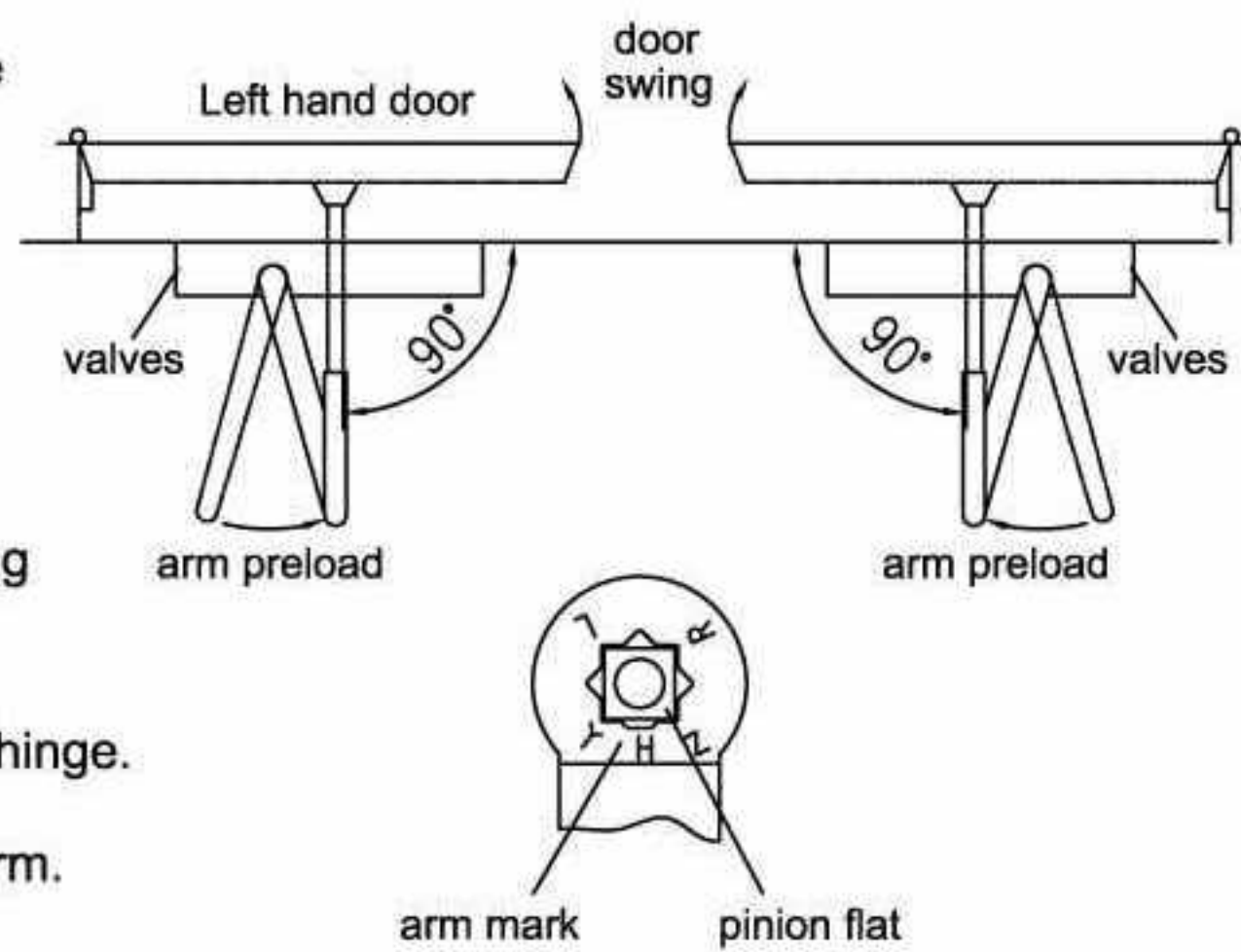


Dot not scale drawing
Right hand door shown
Dimensions are in inches

Opening	Dimension "A"
TO 100°	7-1/2"
TO 130°	6"
TO 180°	4-1/2"

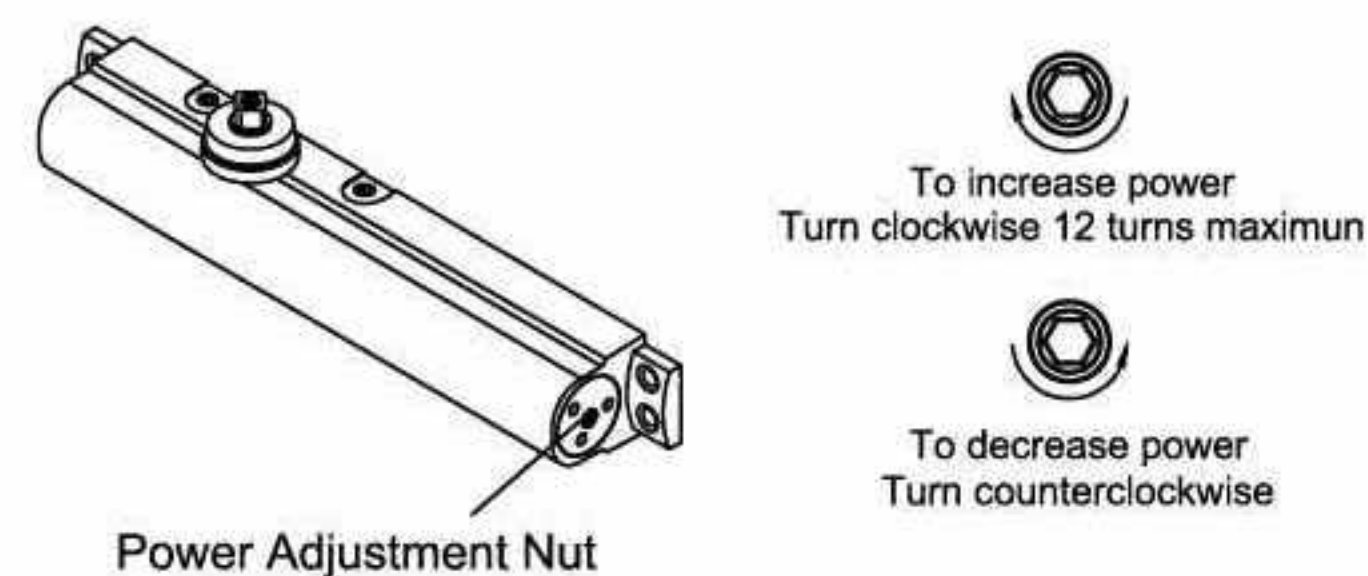
Installation sequence

- Select degree of opening and use dimensions shown to locate 4 holes on frame face for closer body and 2 holes on door for arm shoe. For application that are different from above, a separate template will be required
- Prepare door and frame for fasteners. See "Preparation for Fasteners", Figure 2, Page 2.
- Before installing closer body....set spring power for closer using Power adjustment chart, below right.
- Install closer on door with speed regulating valves toward the hinge.
- Remove forearm screw from adjusting rod and disassemble arm. See Figure 1, Fasten arm shoe (with rod) to frame face.
- Mount main arm onto closer pinion shaft, aligning arm mark "S" with pinion flat. Secure with main arm screw.
- Reassemble arm. Adjust forearm length so that it will be perpendicular (at a 90° angle) to the door face. Secure with forearm screw.
- Adjust closer (see page 6) and install cover.



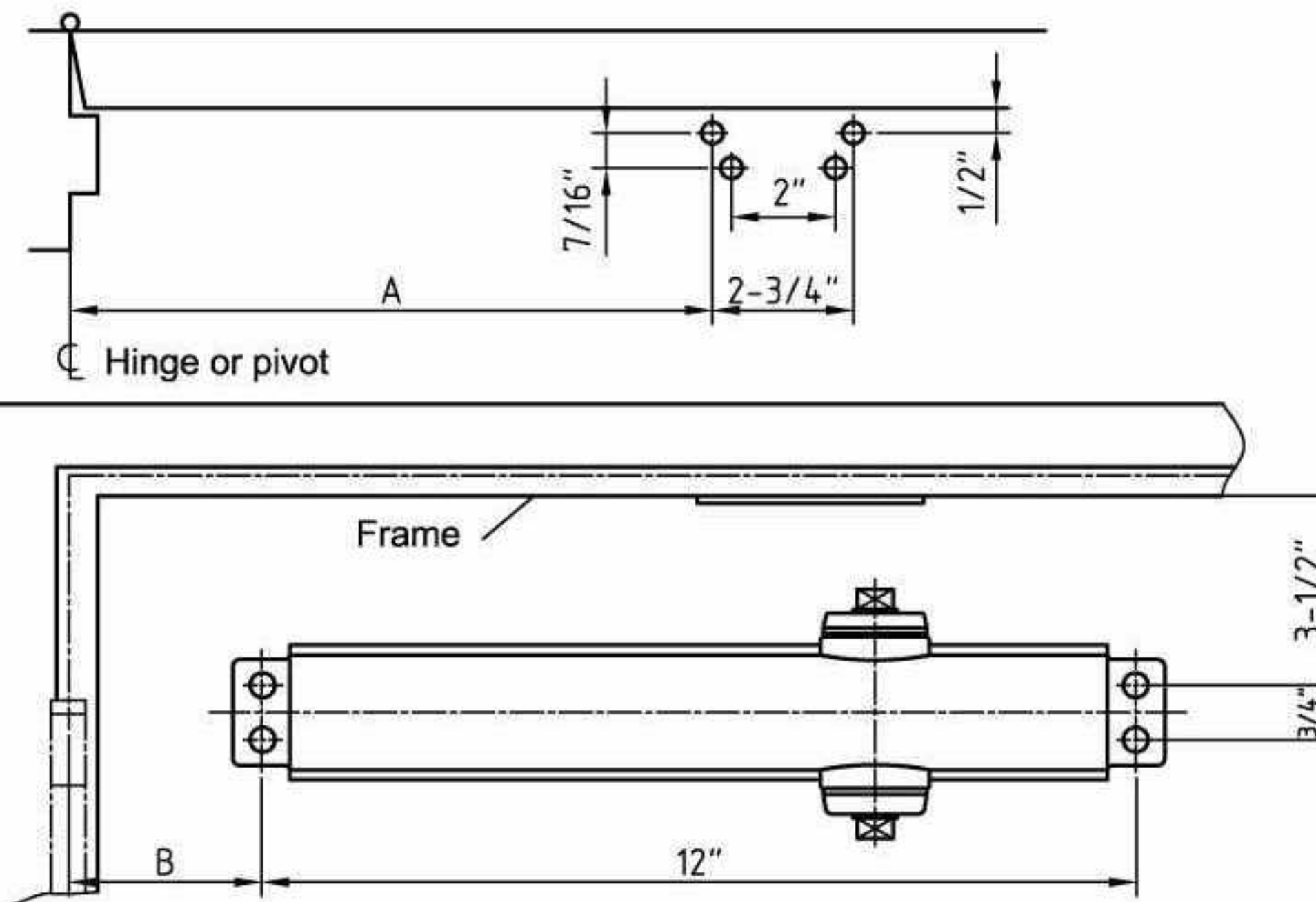
Power Adjustment Chart		
door size inches	Full clockwise turns of closer power adjustment nut (from "0" turns)	
	4061 or 4062 series only	
	interior door	exterior door
24"-30"	-7	-5
30"-34"	-3	0
34"-38"	0	4
38"-48"	4	8
48"-54"	8	13
54"-60"	13	

NOTE: Maximum of 20 turns (360°) of power adjustment Nut. Closer is shipped set at 7 turns from the factory



Installation Instructions

Parallel Arm Template



Opening	Dimension "A"	Dimension "B"
TO 120°	9-1/2"	3-3/4"
TO 180°	7"	1-1/4"

Dot not scale drawing
Left hand door shown
Dimensions are in inches

Installation sequence

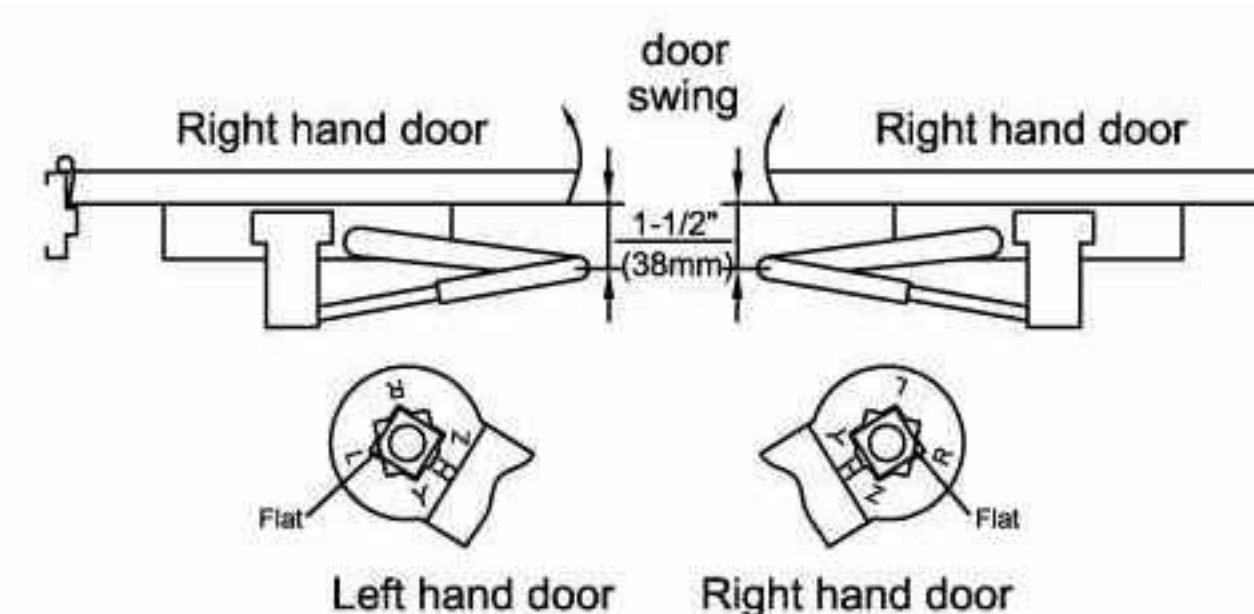
- Select degree of opening and use dimensions shown to locate 4 holes on door for closer body and 4 holes on underside of frame for PA plate. For application that are different from above, a separate template will be required
- Prepare door and frame for fasteners. See "Preparation for Fasteners", Figure 2, Page 2.
- Before installing closer body....set spring power for closer using Power adjustment chart, below .
- Install closer on door with power adjustment nut toward the hinge.
- Mount soffit plate to frame. Remove forearm screw from adjusting rod (See Figure 1) and attach adjusting rod.
- Install main arm on pinion shaft....see main arm installation instructions below.

Power Adjustment Chart		
door size inches	Full clockwise turns of closer power adjustment nut (from "0" turns)	
	4061 or 4062 series only	
	interior door	exterior door
24"-30"	-4	0
30"-34"	0	5
34"-38"	6	10
38"-48"	12	
48"-54"		

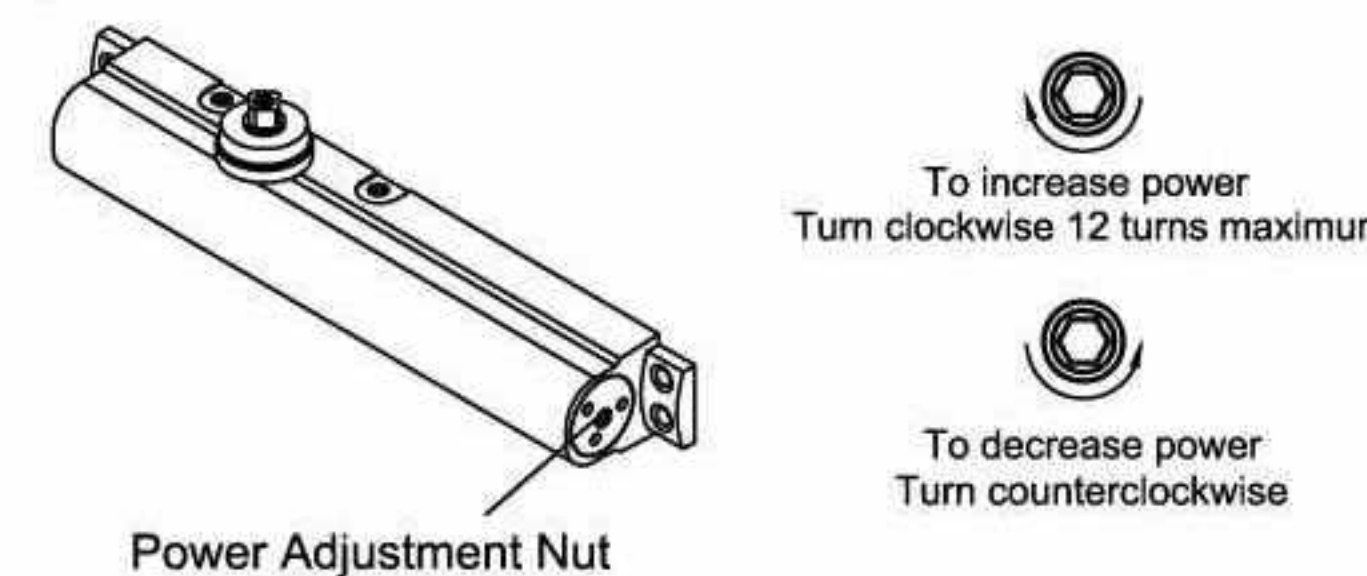
NOTE: Maximum of 20 turns (360°) of power adjustment Nut. Closer is shipped set at 7 turns from the factory

- Reassemble arm. Preload is accomplished by adjusting forearm length so that it will set arm elbow about 1-1/2" (38mm) from the door face when connected to the main arm. Secure with forearm screw.
- Adjust closer (see page 6) and install cover.

Main Arm Installation Instructions



Use adjustable wrench to rotate spindle 45° counter-clockwise for right hand door or clockwise for left hand door. Place main arm on spindle so that the "R"(Right hand door) or "L"(Left hand door) lines up with the spindle flat. Secure main arm and spindle by tightening spindle bolt.

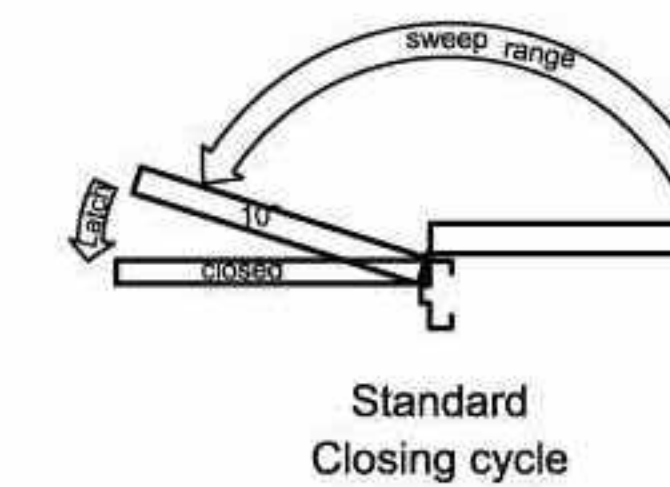


Unit adjustment

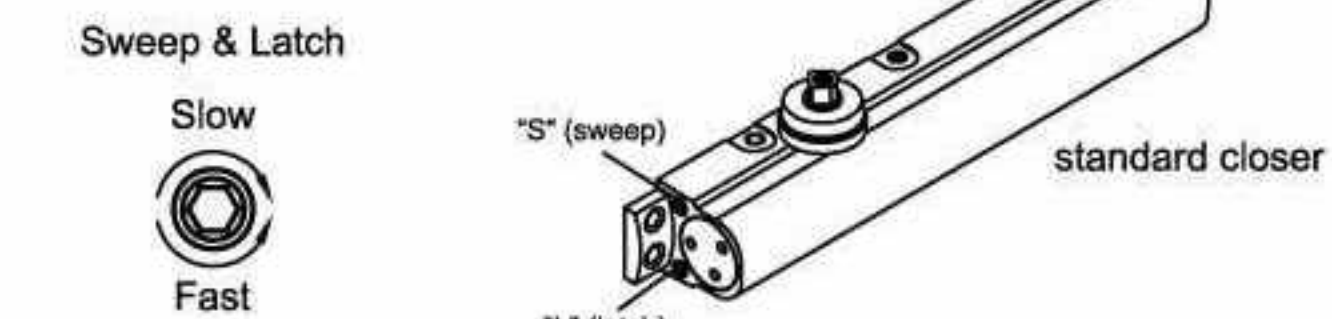
Closing speed controls (figure 1 and 2)

- Valve "S" controls sweep range
- Valve "L" controls latch range

Closing speed controls Figure 1



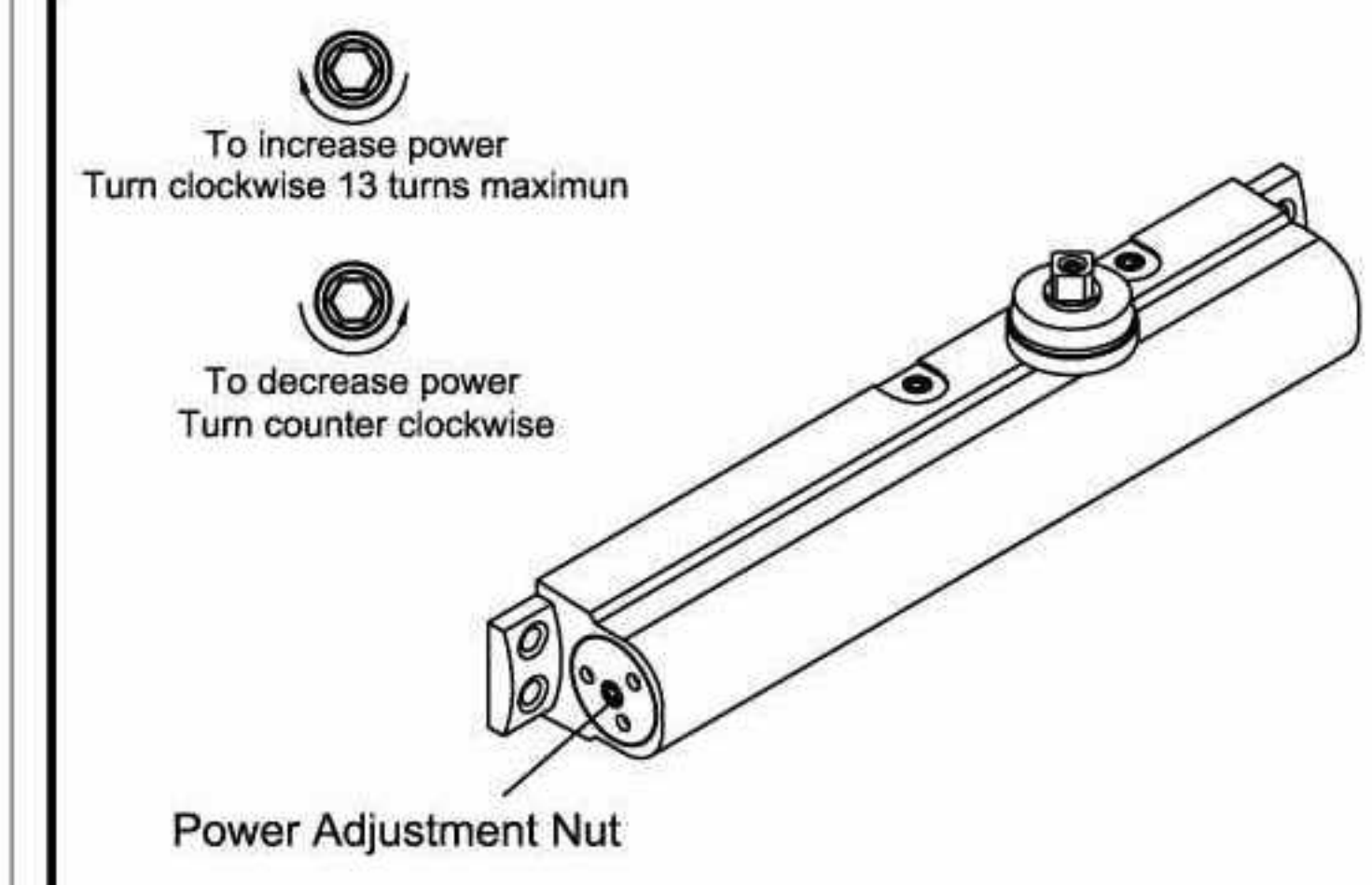
Closing speed controls Figure 2



Closing power control (Figure 3)

- Adjust as required (see charts on pages 3, 4, & 5)

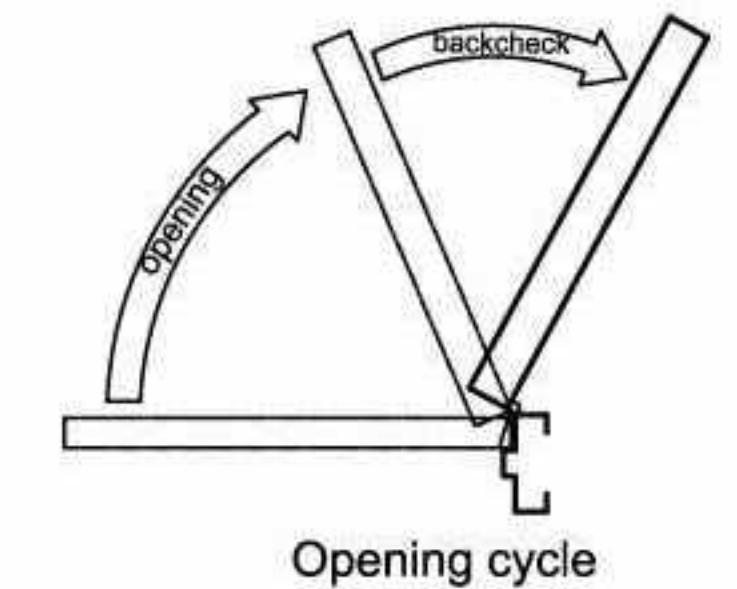
Closing power control Figure 3



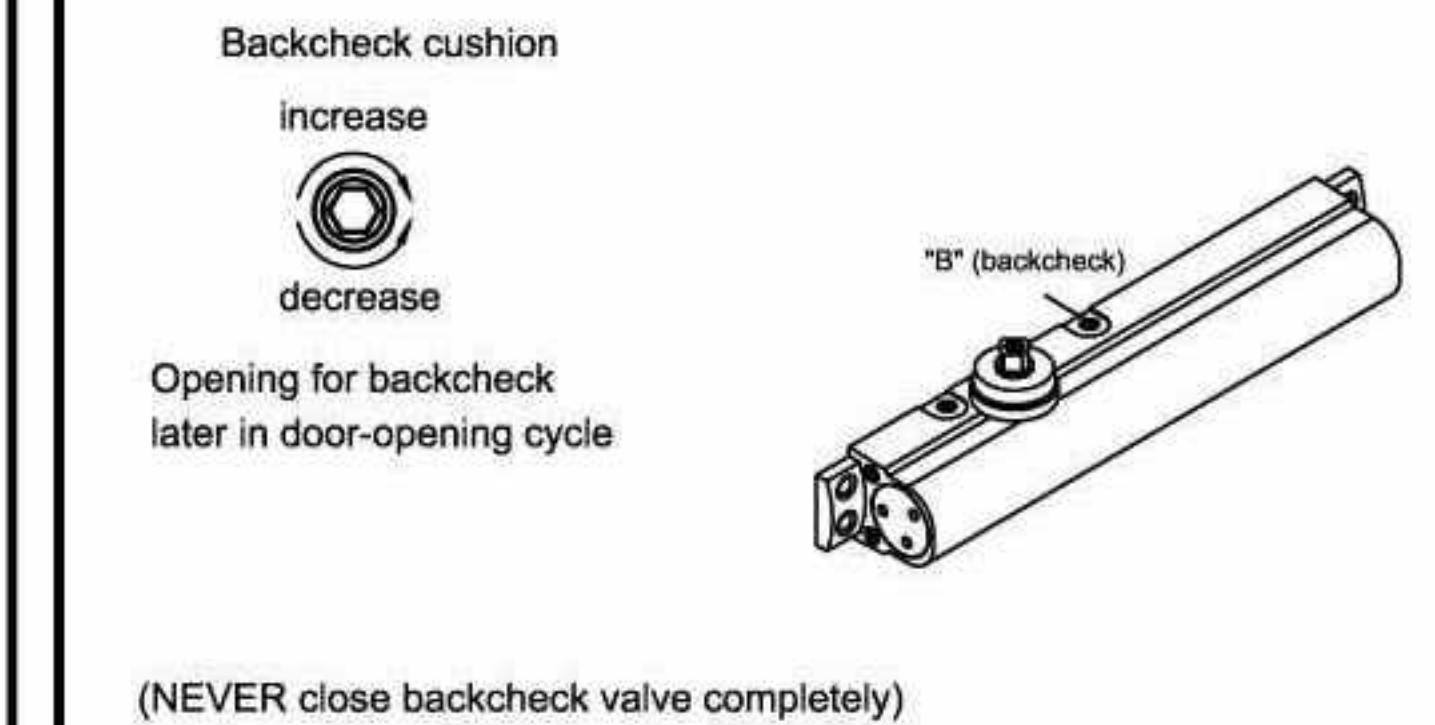
Opening door control (figure 4.)

- Backcheck ("B") Valve controls the hydraulic resistance to door opening. NEVER close this valve completely- it is not to provide a positive stop
- Backcheck position ("P") valve controls the door angle where backcheck cushioning starts. Valve normally closed.

Opening door controls Figure 4



Backcheck Figure 5



(NEVER close backcheck valve completely)

Installation Instructions for 4061 or 4062 Closer & Mounting Plate

Please read all instructions carefully before installation



Step One:

Locate door closer to be replaced.



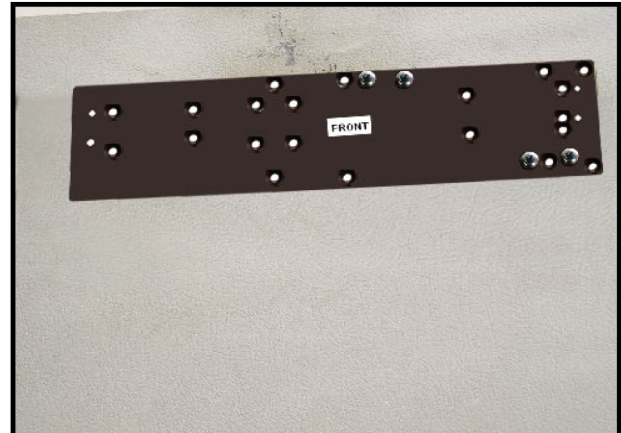
Step Two:

Remove door closer to be replaced from door.



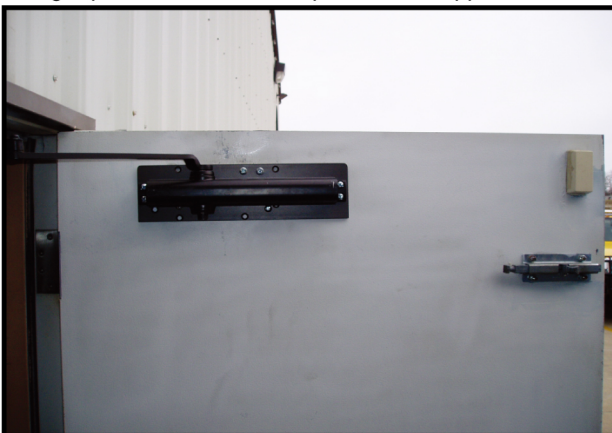
Step Three:

Align holes in the mounting plate with the existing mounting holes in the door. Flip plate if closer being replaced is mounted in parallel arm application.



Step Four:

Attach mounting plate to the door by using the included thru bolts or just the bolts if door is drilled and tapped.



Step Five:

Install 4061 or 4062 Door Closer on the mounting plate and install arm on closer using the door closer installation instructions. Adjust closer operation by following the door closer installation instructions.



Step Six:

Install cover on closer body using the two cover attachment screws.

Other Important 4061 or 4062 Installation Information

1. When installing 4061 or 4062 Closer arm shoe or parallel arm bracket, reuse existing holes if possible.
2. If existing arm shoe mounting holes or existing parallel arm bracket holes cannot be used, redrilling new holes in door frame per enclosed installation instructions will be required.
3. When installing mounting plate make sure you can see the "FRONT" sticker with the correct handing RH/LHR or LH/RHR showing. Also make sure the "HINGE SIDE" sticker is towards the hinge side of the door. The Mounting Plate is marked with a sticker that designates the FRONT and HINGE SIDE for a push side mount application.
4. The 4061 or 4062 mounting plate may have to be flipped over in some cases when used in a parallel arm installation so the front of plate is facing the door. Flip plate from left to right or right to left, do not flip plate from top to bottom.
5. The 4061 or 4062 Closer may not work as a replacement closer for some parallel arm closer installations when the degree of door opening exceeds 120 degrees.