



**ELECTRIC FIREPLACE HEATER**  
**OPERATION MANUAL**



**Riverstone Industries Corporation**  
**[www.RSIWW.com](http://www.RSIWW.com)**  
**Customer Service: 877-373-3078**

## **Important Safety Instructions:**

### **PLEASE RETAIN THIS USER'S GUIDE FOR FUTURE REFERENCE**

When using electrical appliances, basic precautions should always be followed to reduce the risk of fire, electric shock, and injury to persons, including the following:

1. Read all instructions before using this fireplace. Failure to follow these important safety instructions may cause fire, electric shock or damage. Following proper safety and operating instructions is the responsibility of the owner.
2. This fireplace heater is hot when in use. To avoid burns, do not let bare skin touch hot surfaces. The grill directly in front of the heater outlet becomes hot during heater operation. Keep combustible materials, such as furniture, pillows, bedding, papers, clothes and curtains at least 10 feet from the front of the unit.
3. CAUTION: Extreme caution is necessary when any heater is used by or near children or invalids. Do not leave the heater operating unattended.
4. Always unplug fireplace when not in use.
5. Do not operate any fireplace heater with a damaged cord or plug, or if the heater has malfunctioned, or if the fireplace has been dropped or damaged in any manner. Take fireplace to authorized service facility for examination, electrical or mechanical adjustment or repair.
6. Under no circumstance should this electric fireplace be modified. Parts having to be removed for servicing must be replaced by a certified repair center prior to operating this electric fireplace again.
7. Do not use outdoors or anywhere that it can get wet.
8. This fireplace is not intended for use in bathrooms, laundry areas and similar indoor locations. Never use this appliance near a bathtub or in the vicinity of water.
9. Do not place or operate the fireplace insert directly on carpet or a similar surface, which may restrict air circulation beneath the unit. The fireplace insert must be installed in the mantle before use.
10. Do not run cord under carpeting. Do not cover cord with throw rugs, runners, or the like. Arrange cord away from traffic area and where it will not be tripped over.
11. To disconnect fireplace, turn all controls to off, then remove plug from outlet.
12. When this appliance is installed, it must be electrically grounded in accordance with local codes with the current CSA C22.1 Canadian local codes for USA installation. Follow local codes and National Electrical Code, ANSI/NFPA NO. 70 and Canadian Code, CZ 22.2 No. 0.
13. Do not insert or allow foreign objects to enter any ventilation or exhaust opening as this may cause an electric shock or fire, or damage the heater.
14. To prevent a possible fire, do not block air intake or exhaust in any manner. Do not use on soft surfaces, like a bed, where openings may become blocked.
15. CAUTION: This appliance gets hot and it contains internal parts that could arc or spark. Do not use it in areas where gasoline, paint, or flammable liquids are used or stored or where the unit will be exposed to flammable vapors. This fireplace should not be used as a drying rack for clothing. Do not hang Christmas stocking or decoration on the fireplace heater or mantle. Do not use near propane tanks.

16. Do not modify this fireplace. Use it only as described in this manual. Any other use not recommended by the manufacturer may cause fire, electric shock or injury to persons.
17. Avoid the use of an extension cord because the extension cord may overheat and cause a risk of fire. However, if you have to use an extension cord, the cord shall be No.16 AWG minimum size and rated not less than 1875 watts, and 3-wire cord with grounding type plug and cord connector.
18. Do not burn wood or other materials in this fireplace.
19. Do not strike fireplace glass.
20. Always use a certified electrician should new circuits or outlets be required.
21. Always use properly grounded, fused and polarized outlets.
22. Always use ground fault protection where required by electrical code.
23. Always disconnect power before performing any cleaning, maintenance or relocation of the fireplace.
24. When transporting or storing the fireplace and cord, keep in a dry place, free from excessive vibration and store so as to avoid damage.

**NOTE:** Procedures and techniques that are considered important enough to emphasize.

**CAUTION:** Procedures and techniques, which, if not carefully followed, will result in damage to the equipment or personal property or may cause personal injury.

**WARNING:** Procedures and techniques, which, if not carefully followed, will expose the user to the risk of serious injury, illness or death.

**WARNING:**

This is a 1500-watt heater and parts become hot when in use. Be sure to maintain a personal distance and keep any combustible material at least ten feet away from the heater. The area directly around and under the heater must be clear and free of any obstructions.

**DO NOT ALLOW CHILDREN TO OPERATE. KEEP CHILDREN AND PETS AWAY FROM HEATER AND CONTROLS.**

**CHOOSING LOCATION FOR YOUR FIREPLACE:**

Your new freestanding electric fireplace may installed anywhere in your home. However, when choosing a location ensure that the general safety instructions are followed. For best results, install out of direct sunlight.

**NOTE:** A complete electric fireplace heater should consist of two parts, the wooden mantle and the fireplace heater. It is not recommended to use the fireplace heater without the wooden mantle. Unpack the fireplace heater and mantle. Remove all packing materials.

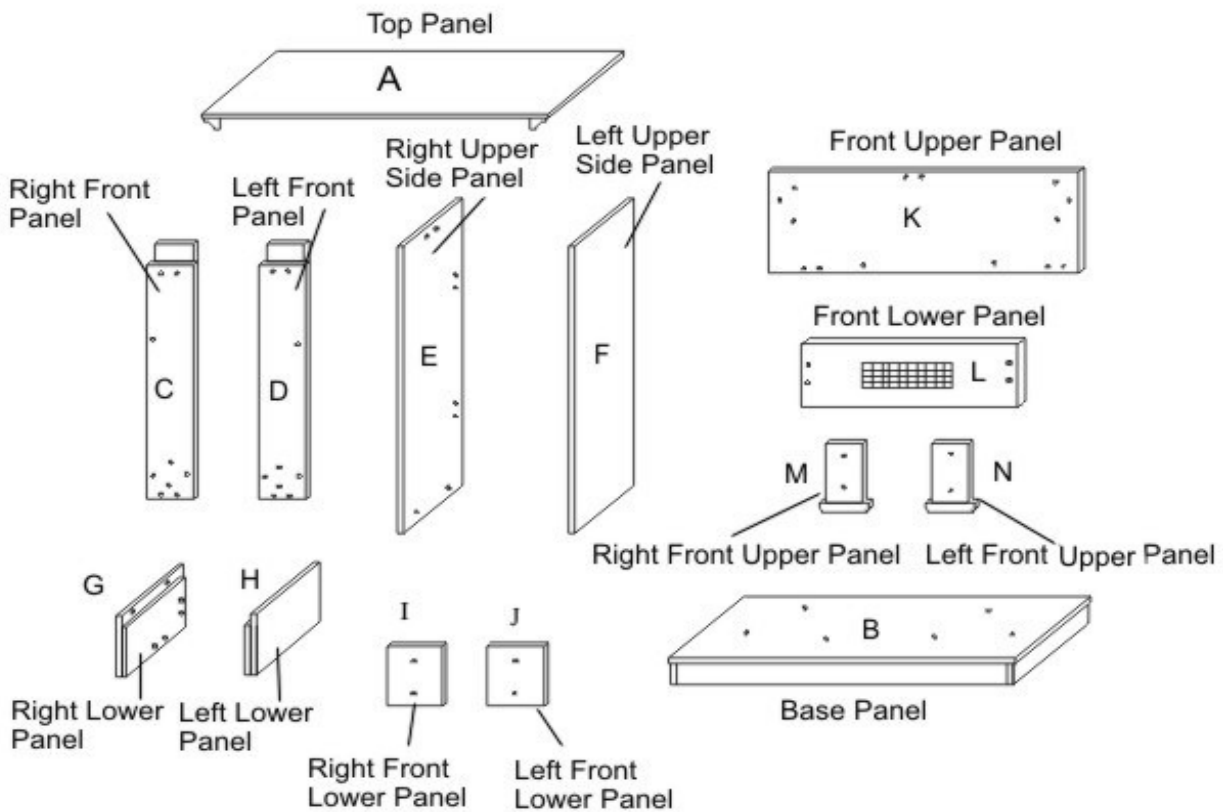
# CORRECTION FOR MANTEL LABEL INDEX

Drawing No. on P3 in manual		Actual mantel label No.
A	→	1
B	→	14
C	→	2
D	→	3
E	→	4
F	→	5
G	→	7
H	→	8
I	→	9
J	→	10
K	→	6
L	→	11
M	→	12
N	→	13

# Assembly Instructions









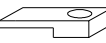
## PARTS LIST:

A) Top Panel	1pc
B) Base Panel	1pc
C) Right Front Panel	1pc
D) Left Front Panel	1pc
E) Right Upper Side Panel	1pc
F) Left Upper Side Panel	1pc
G) Right Lower Panel	1pc
H) Left Lower Panel	1pc
I) Right Front Lower Panel	1pc
J) Left Front Lower Panel	1pc
K) Front Upper Panel	1pc
L) Front Lower Panel	1pc
M) Right Front Upper Panel	1pc
N) Left Front Upper Panel	1pc



**BACK VIEW**

## HARDWARE LIST:

1	Plastic Connectors		13 pcs
2	KD Screws		67 pcs
3	Short KD Screws		2 pcs
4	Heater Mounting Screws		8 pcs
5	Four-hole Wood Connectors		2 pcs
6	Three-hole Wood Connectors		2 pcs
7	Mounting Feet		2 pcs
8	Mounting Bracket		2 pcs
9	Mounting Clip		2 pcs

**\*\* Recommend 2 People for Assembly\*\***

**Step 1:** Attach 6 Plastic Connectors (1) in the LEFT & RIGHT UPPER SIDE PANELS (E, F) with 12KD Screws (2). Attach 4 Plastic connectors (1) in the LEFT LOWER & RIGHT LOWER PANELS (G, H) with 8 KD SCREWS (2). See Fig.1.

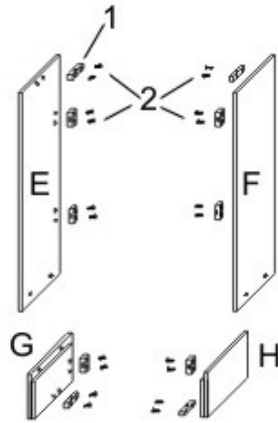


Fig. 1

**Step 2:** Attach the LEFT LOWER & RIGHT LOWER PANELS (G, H) to LEFT UPPER SIDE & RIGHT UPPER SIDE PANELS (E, F) with 4 KD SCREWS (2). See Fig.2.

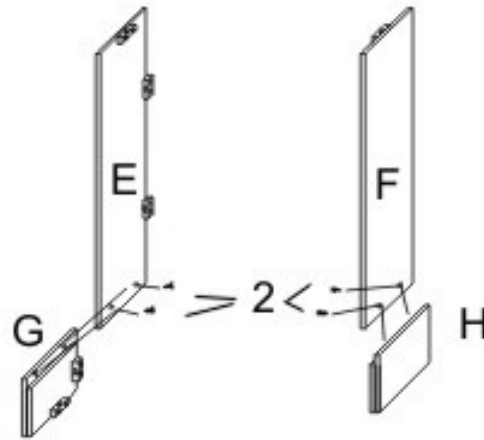


Fig. 2

**Step 3:** Attach RIGHT & LEFT FRONT LOWER PANELS (G, H) to the LEFT & RIGHT FRONT PANELS (E, F) with 4 KD SCREWS (2). See Fig.3 and Fig.4.

**Step 4:** Attach 2 PLASTIC CONNECTORS (1) at the bottoms of the LEFT & RIGHT FRONT PANELS (C, D) with 4 KD SCREWS (2). See Fig.3 and Fig.4

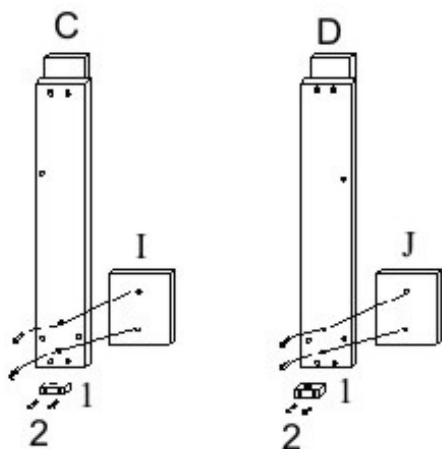


Fig. 3

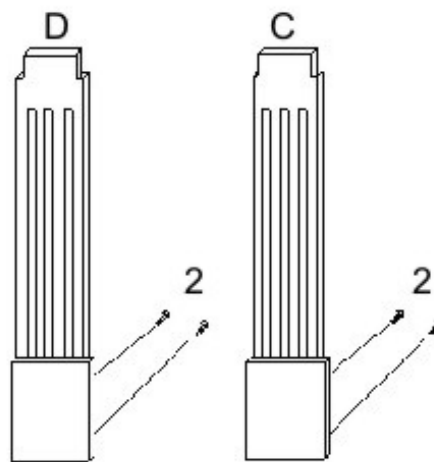


Fig. 4

**Step 5:** Attach LEFT & RIGHT FRONT PANELS (C, D) to the LEFT & RIGHT UPPER SIDE PANELS (E, F) with 4 KD SCREWS (2). See Fig.5.

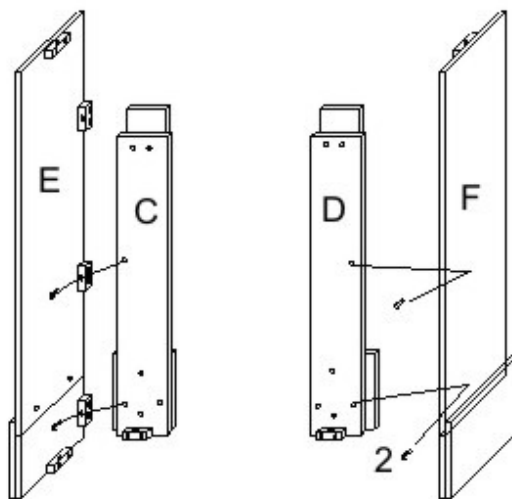


Fig. 5



**Step 6:** Attach the LEFT & RIGHT SIDE PANELS (E, F) to the BASE PANEL (B) with 4 KD SCREWS (2). See Fig.6.

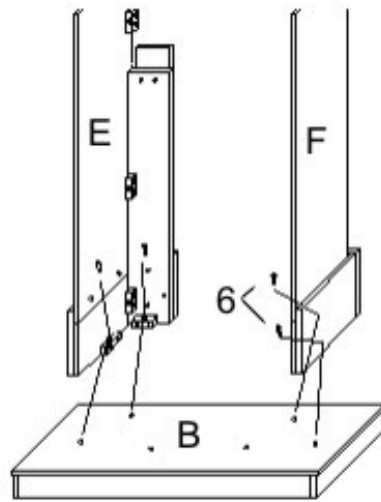


Fig. 6

**Step 7:** Attach the FRONT LOWER PANEL (L) to the back of the LEFT & RIGHT FRONT PANELS (C, D) with 2 THREE-HOLE WOOD CONNECTORS (6) and 6 KD SCREWS (2). See Fig.7.

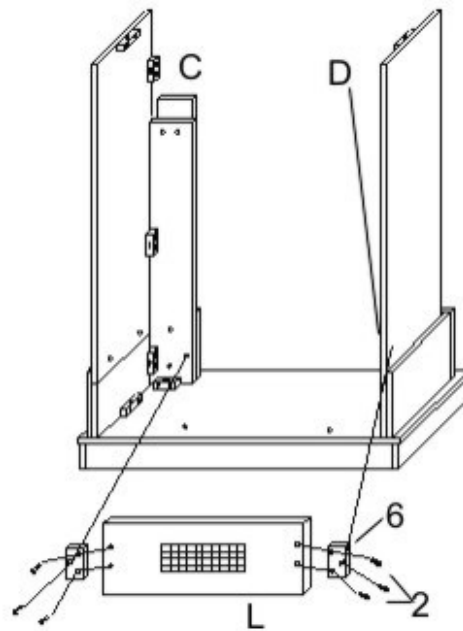


Fig. 7

**Step 8:** Attach the FRONT UPPER PANEL (K) to the LEFT & RIGHT FRONT PANELS (C, D) with 2 FOUR-HOLE WOOD CONNECTORS (5) and 8 KD screws (2). See Fig.8.

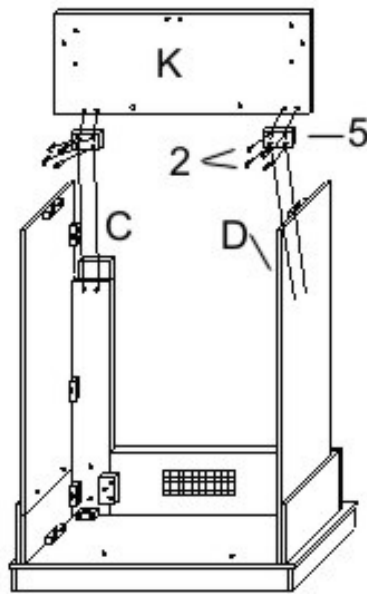


Fig. 8

**Step 9:** Using 2 PLASTIC CONNECTORS (1), attach the FRONT UPPER PANEL (K), to the LEFT & RIGHT UPPER SIDE PANELS (E, F) with 2 KD SCREWS (2).

**Step 10:** Attach 1 PLASTIC CONNECTOR (1) TO FRONT UPPER PANEL (K) with 2 SHORT KD SCREWS (3). See Fig.9.

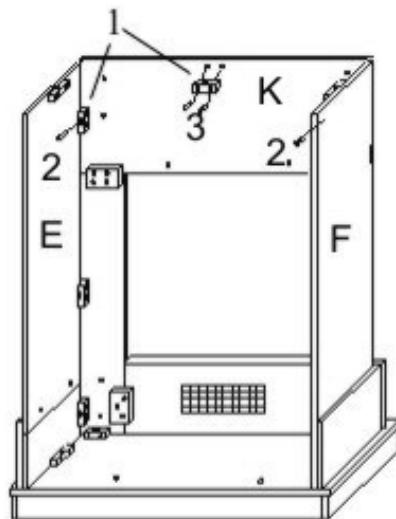


Fig. 9

**Step 11:** Attach Decorative LEFT & RIGHT FRONT UPPER PANELS (M, N) to FRONT UPPER PANEL (K) with 4 KD SCREWS (2). See Fig.10 and Fig.11.

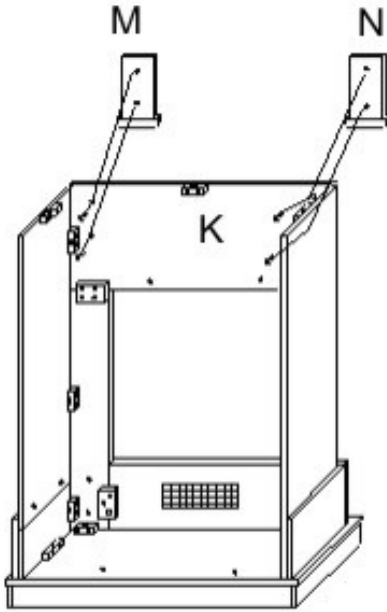


Fig. 10

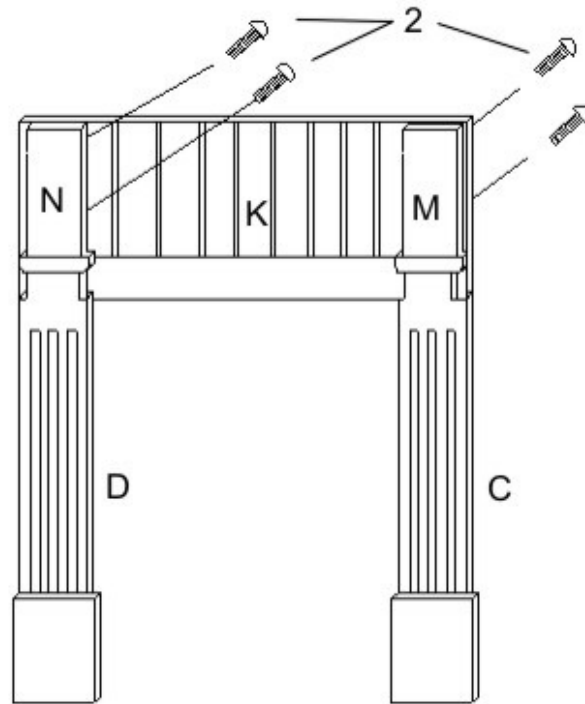


Fig. 11

**Step 12:** Attach the TOP PANEL (A) to the top of the unit using 3KD SCREWS (2). See Fig.12.

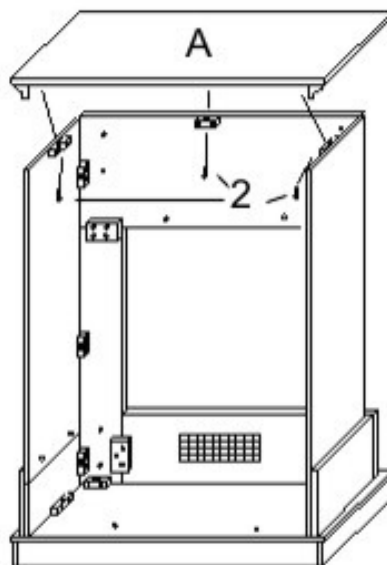


Fig. 12

**Step 13:** Attach 2 MOUNTING FEET (7) to the HEATER INSERT using 4 HEATER MOUNTING SCREWS (4).  
See Fig.13.

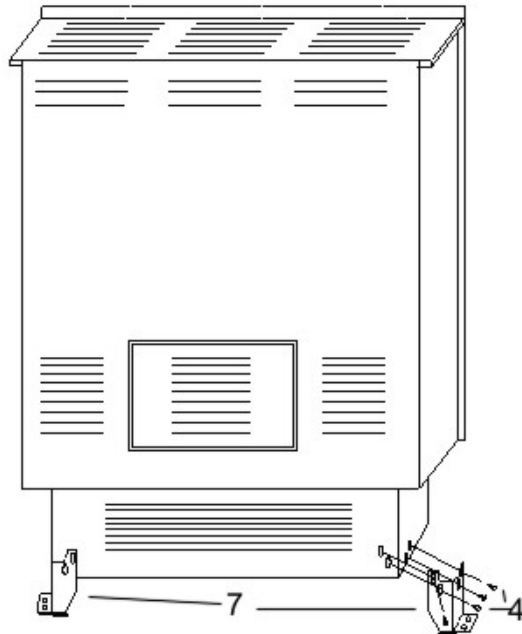


Fig. 13

**Step 14:** Place the ELECTRIC FIREPLACE HEATER INSERT into the back of the Assembled Mantle with front of Heater facing opening in Mantle. Once the insert is in place attach the top of the Insert to the Mantle using 2 MOUNTING CLIPS (9) and 2 SHORT KD SCREWS (3). Attach the 2 MOUNTING BRACKETS (8) located on the bottom of Insert to Wood Base Panel (B) using 2 KD SCREWS (2).  
See Fig.14.

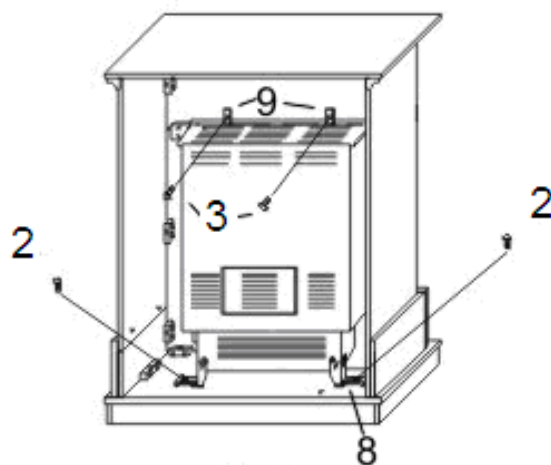
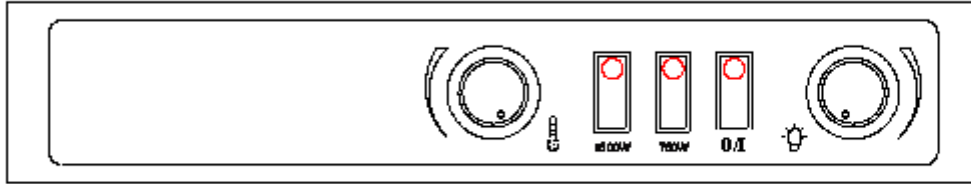


Fig. 14

## Operating Instructions

Once the fireplace heater insert has been properly installed and connected to a ground electrical outlet, it is ready to operate. Note: ensure the circuit breakers for the power supply are turned on.

The controls are located behind the grill below front glass and can be accessed by pulling the grill up from the top, forward and down.



Lift front grill to access the switches.

1. The round dial on the far left is the thermostat that automatically turns the heaters on and off to maintain a constant temperature. Turn the thermostat dial to the right to increase the desired temperature and the left to lower it. Once the room reaches the desired temperature, turn the thermostat dial counter-clockwise until you hear a click. Leave in this position to maintain the room temperature at its current setting.
2. The switch on the left turns the heater on at 1500 watts.
3. The middle switch turns the heater on at 750 watts.
4. The right switch is the main power switch "O/I".
5. The round dial on the right adjusts the intensity of the simulated flame effect. Turn this dial until desired flame effect is reached.

## Maintenance

**WARNING:** Disconnect power before attempting any maintenance or cleaning to reduce the risk of fire or electric shock.

## Cleaning

Before cleaning any parts of the fireplace make sure to first turn off the controls and then unplug the unit from power source.

**CAUTION:** Wait until the unit has completely cooled before attempting any cleaning.

Cleaning glass door: Remove dust with clean dry cloth. Remove fingerprints and other marks from glass door by using a clean damp cloth. Do not use abrasive cleaners or spray liquids on glass door surfaces.

Metal and metal painted parts should be cleaned with clean damp cloth only. Do not use abrasive cleaners or spray liquids on this surface.

## **Replacing the Light Bulb**

There is one 40-watt light bulb located under the log-set bed. Remove the 4 screws on the cover located on the back of fireplace and then remove the rear cover of the unit.

**CAUTION:** The bulb in your unit can become extremely hot. Allow at least 15 minutes between turning off the unit and removing the light bulb to avoid hot bulb coming in contact with the skin.

To remove bulb: Hold socket and pull the old bulb out.

To replace bulb: Hold socket and push in the new bulb

