



OPERATOR'S MANUAL Variable Speed Jig Saw

Model # 3702



#

IMPORTANT:


Your new tool has been engineered and manufactured to WEN's highest standards for dependability, ease of operation, and operator safety. When properly cared for, this product will supply you years of rugged, trouble-free performance.

Pay close attention to the rules for safe operation, warnings, and cautions. If you use your tool properly and for its intended purpose, you will enjoy years of safe, reliable service.



Need help? Contact us!

Have product questions? Need technical support?
Please feel free to contact us at:

 **800-232-1195** (M-F 8AM-5PM CST)

 **techsupport@wenproducts.com**

 **WENPRODUCTS.COM**

#

CONTENTS

Technical data.....	3
General safety rules.....	4
Specific safety rules for jig saw.....	6
Electrical information.....	8
Blade installation.....	9
Operating your jig saw.....	9
Exploded view and parts list.....	11
Warranty.....	13

TECHNICAL DATA

Variable Speed Jig Saw

Model:	3702
Motor:	120 V, 60 Hz, 3.5 A
Variable Speed:	500 to 3000 SPM
Stroke Length:	3/4"
Cutting Angles:	45° Left, 45° Right & 90°
Weight:	4.2 lbs

#

GENERAL SAFETY RULES

Safety is a combination of common sense, staying alert, and knowing how your drill press works.

SAVE THESE SAFETY INSTRUCTIONS.



WARNING: To avoid mistakes that could cause serious injury, do not plug in the Jig Saw until the following steps have been read and understood.

1. **READ** and become familiar with this entire instruction manual. **LEARN** the tool's applications, limitations, and possible hazards.
2. **AVOID DANGEROUS CONDITIONS.** Do not use power tools in wet or damp areas or expose them to rain. Keep work areas well-lit.
3. **DO NOT** use power tools in the presence of flammable liquids or gases.
4. **ALWAYS** keep your work area clean, uncluttered, and well-lit.
5. **KEEP BYSTANDERS AT A SAFE DISTANCE** from the work area, especially when the tool is operating. **NEVER** allow children or pets near the tool.
6. **DO NOT FORCE THE TOOL** to do a job for which it was not designed.
7. **DRESS FOR SAFETY.** Do not wear loose clothing, gloves, neckties, or jewelry (rings, watches, etc.) when operating the tool. Inappropriate clothing and items can get caught in moving parts and draw you in. **ALWAYS** wear non-slip footwear and tie back long hair.
8. **WEAR A FACE MASK OR DUST MASK** as the cutting operation produces dust.



WARNING: Dust generated from certain materials can be hazardous to your health. Always operate the Jig Saw in a well-ventilated area and provide for proper dust removal. Use dust collection systems whenever possible.

9. **ALWAYS** remove the power cord plug from the electric outlet when making adjustments, changing parts, cleaning or working on the tool.
10. **KEEP GUARDS IN PLACE AND IN WORKING ORDER.**
11. **AVOID ACCIDENTAL START-UPS.** Make sure the power switch is in the OFF position before plugging in the power cord.
12. **REMOVE ADJUSTMENT TOOLS.** Always make sure all adjustment tools are removed from the drill press before turning it on.
13. **NEVER LEAVE A RUNNING TOOL UNATTENDED.** Turn the power switch to OFF. Do not leave the tool until it has come to a complete stop.
14. **NEVER STAND ON A TOOL.** Serious injury could result if the tool tips or is accidentally hit. **DO NOT** store anything above or near the tool.

GENERAL SAFETY RULES (CONTINUED)

15. **DO NOT OVERREACH.** Keep proper footing and balance at all times. Wear oil-resistant rubber-soled footwear. Keep the floor clear of oil, scrap, and other debris.
16. **MAINTAIN TOOLS PROPERLY.** ALWAYS keep tools clean and in good working order. Follow instructions for lubricating and changing accessories.
17. **CHECK FOR DAMAGED PARTS.** Check for alignment of moving parts, jamming, breakage, improper mounting, or any other conditions that may affect the tool's operation. Any part that is damaged should be properly repaired or replaced before use.
18. **MAKE THE WORKSHOP CHILDPROOF.** Use padlocks and master switches and ALWAYS remove starter keys.
19. **DO NOT** operate the tool if you are under the influence of drugs, alcohol, or medication that could affect your ability to use the tool properly.
20. **USE SAFETY GOGGLES AT ALL TIMES**—that comply with ANSI Z87.1. Normal safety glasses only have impact resistant lenses and are not designed for safety. Wear a face or dust mask when working in a dusty environment. Use ear protection, such as plugs or muffs, during extended periods of operation.



SPECIFIC SAFETY RULES FOR JIG SAW

1. Always keep hands and fingers away from the blade.
2. Do not cut material that does not have a flat surface, unless a suitable support is used.
3. Make sure blade is securely locked.
4. Make sure key wrench is removed before turning power on.
5. Always stop the saw before removing scrap pieces.
6. Use clamps or a vise to secure workpiece.
7. Set the jig saw to the speed appropriate for the job.
8. Should any part of your jig saw is missing, damaged, or any electrical component fail to perform properly, shut power off and unplug jig saw. Replace missing, damaged, or failed parts before resuming operation.
9. Never use in an explosive atmosphere. Normal sparking of the motor could ignite fumes.
10. Use only outdoor extension cords with approved ground connection that are intended for use outdoors and so marked.
11. Avoid awkward operations and hand positions where a sudden slip could cause your hand to move into the blade. ALWAYS make sure you have good balance.
12. Allow the motor to come up to full speed before starting a cut to avoid binding or stalling
13. Do not use tool if switch does not turn it on and off. Have defective switches replaced by an authorized service center.
14. Replacement parts. All repairs, whether electrical or mechanical, should be made by a qualified service technician at an authorized service center.
15. Keep hands away from cutting area. Do not hand hold pieces so small that your fingers go under the blade guard. Do not reach underneath work or in blade cutting path with your hands and fingers for any reason.
16. Before making a cut, be sure all adjustments are secure.
17. Always support large work pieces while cutting to minimize risk of blade pinching and kickback. Saw may slip, walk or slide while cutting large or heavy boards.
18. Do not remove jammed cutoff pieces until blade has stopped.
19. Never start the tool when the blade is in contact with the work piece.
20. Never touch blade or other moving parts during use.
21. Before changing the setup, removing covers, guards or blades, unplug the saw and remove the switch key.

SPECIFIC SAFETY RULES FOR JIG SAW (CONTINUED)

22. Always turn off saw before disconnecting it to avoid accidental starting when reconnecting to a power source.
23. Stay alert and exercise control. Watch what you are doing and use common sense. DO NOT operate tool when you are tired. DO NOT RUSH!
24. Make sure work area has ample lighting to see the work and that no obstructions will interfere with safe operation BEFORE performing any work using your saw.
25. Save these instructions. Refer to them frequently and use them to instruct other users. If you loan someone this tool, loan them these instructions also.
26. AVOID CUTTING NAILS. Pull all nails from work material before starting cutting operation.
27. Don't cut hollow pipe with this saw.
28. Never touch moving parts with your hand.

ELECTRICAL INFORMATION

Guidelines for using extension cords

Make sure your extension cord is in good condition. When using an extension cord, be sure to use one heavy enough to carry the current your product will draw. An undersized cord will cause a drop in line voltage resulting in loss of power and overheating. The table below shows the correct size to be used according to cord length and nameplate ampere rating. If in doubt, use the next heavier gauge. The smaller the gauge number, the heavier the cord.

Minimum Gauge for Extension Cords (AWG)
(When using 120 V only)

Ampere Rating		Total Length of Cord			
More Than	Not More Than	25 Feet	50 Feet	100 Feet	150 Feet
0	6	18 Gauge	16 Gauge	16 Gauge	14 Gauge

Make sure your extension cord is properly wired and in good condition. Always replace a damaged extension cord or have it repaired by a qualified person before using it.

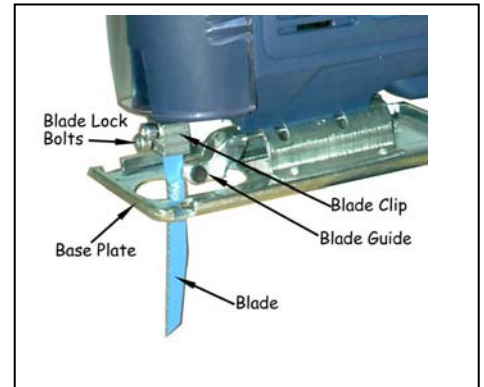
Protect your extension cords from sharp objects, excessive heat and damp or wet areas.

Use a separate electrical circuit for your tools. This circuit must not be less than a #12 wire and should be protected with a 15 A time-delayed fuse. Before connecting the motor to the power line, make sure the switch is in the OFF position and the electric current is rated the same as the current stamped on the motor nameplate. Running at a lower voltage will damage the motor.

BLADE INSTALLATION

Caution: Before installing or changing a blade, be sure the saw is unplugged from the power supply.

1. Loosen the two blade lock bolts (use hex key supplied) enough for a blade to be removed or inserted. Note: there is a position notch in the blade cover and the back plate to which the blade clip is screwed.
2. Insert blade in slot with teeth facing forward. The blade's top should be inserted far enough to touch blade clip.
3. While blade is in fitted slot and touching blade clip top, tighten the blade lock bolts securely.



OPERATING YOUR JIG SAW

BLADE GUIDE USAGE

The blade guide is a part of the base plate and has a metal roller guide to support the saw blade. When the back of the blade being used is straight, the blade guide metal roller should be positioned to slightly touch the blade. If the back of the blade is slanted, the guide should be position slightly behind the slide the base plate forward or backward until the guide is in the desired position. Now, tighten the two base plate bolts.

Note: the roller should be lubricated frequently when cutting metals.

VARIABLE SPEED CONTROL

The variable speed control is a 6-position roll switch located on the top front of the handle. By rotating the switch from one to six, the blade speed can be set from 500 to 3000 SPM. Stroke rate should set for specific material being cut.



WARNING: Before plugging your saw into a power source, press the trigger to ensure the trigger has not been locked in the on position.

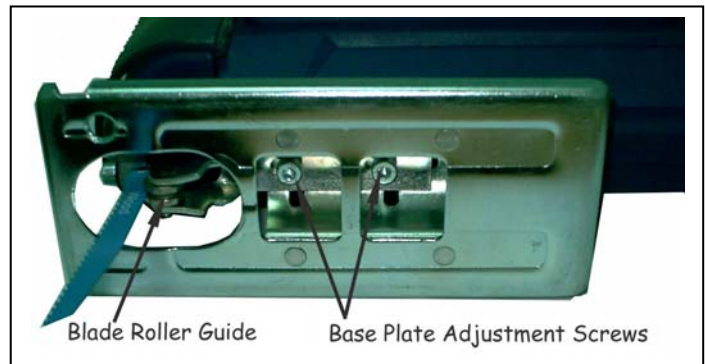
After checking that blade will not contact anything, press the trigger and hold it until the blade reaches the desired speed. Then put the base plate on the material to be cut and align it on the mark of the desired starting point. Push the saw slowly into the area to be cut. Continue to follow your cut lines until the task is complete. Note: Be sure the base plate of your jig saw is in contact with the material being cut through the operation.

Failure to keep the plate in contact with the work can result in broken blades.

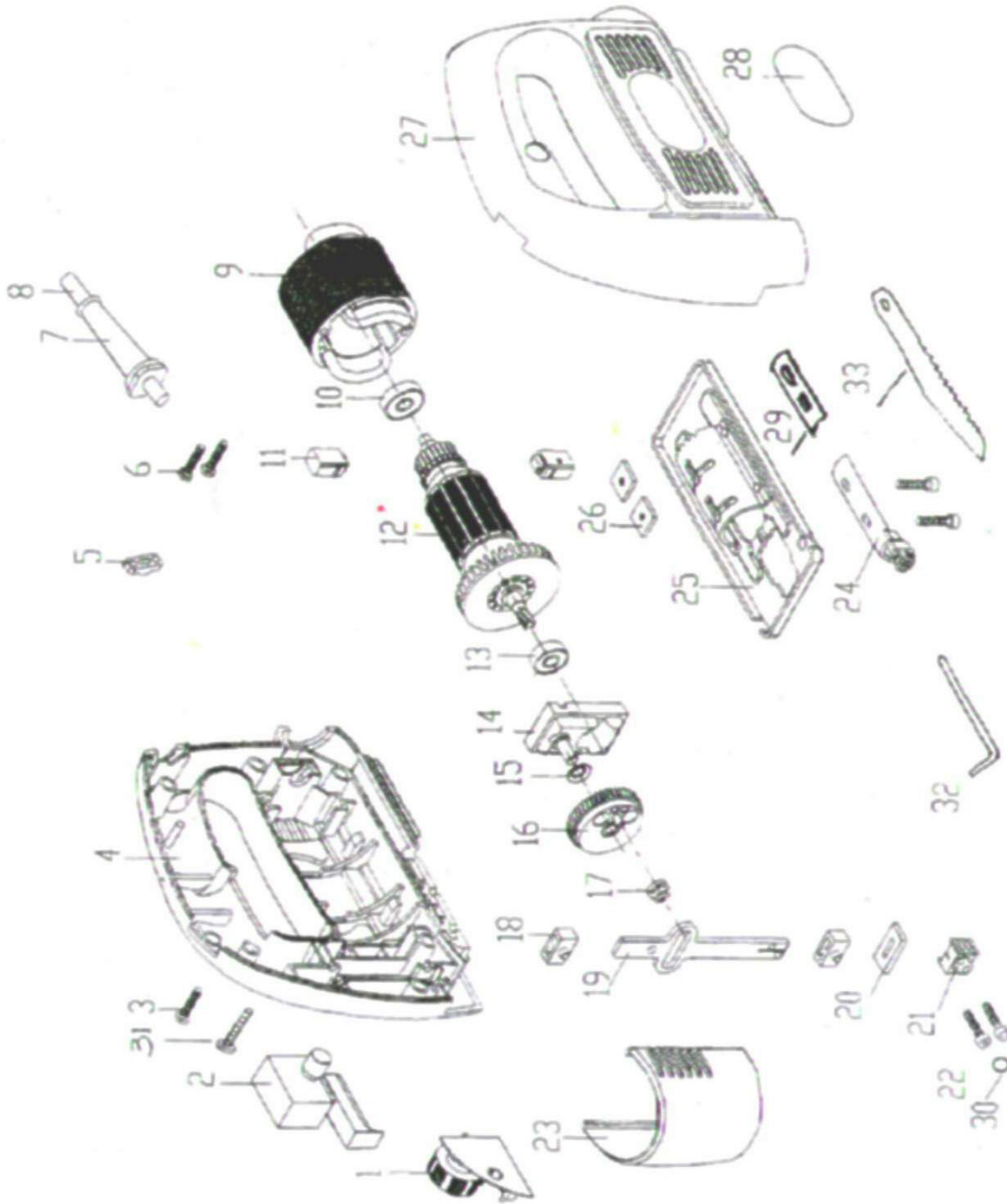
MITER CUTS

The base plate can be tilted to cut any angle between 0° and 45° right and left.

Loosen the two base plate adjustment screws. Then slide the base plate toward the back of the saw. Rotate the base left or right to the desired angle, slide the base plate forward until the blade guide is in the correct position, then tighten base plate screws. Note: the base plate has a scale for setting 45° and 90° angles. Use a protractor to set other angles.



EXPLODED VIEW AND PARTS LIST



PATS LIST

Part	Stock #	Description
1	3702-001	Speed control PCB
2	3702-002	Switch
3	3702-003	Screw ST4.2x19
4	3702-004	Right half housing
5	3702-005	Cord clip
6	3702-006	Screw ST4.2x13
7	3702-007	Cord guard
8	3702-008	Power cord
9	3702-009	Stator
10	3702-010	Bearing
11	3702-011	Carbon Brush Assembly
12	3702-012	Rotor
13	3702-013	Bearing
14	3702-014	Center Support
15	3702-015	Washer
16	3702-016	Gear
17	3702-017	Guide Case

Part	Stock #	Description
18	3702-018	Slide Mass
19	3702-019	Slide Rod
20	3702-020	Felt
21	3702-021	Blade clamp
22	3702-022	Screw M4x15
23	3702-023	Guard
24	3702-024	Guide roller
25	3702-025	Bottom board
26	3702-026	Square nut M4
27	3702-027	Left half housing
28	3702-028	Nameplate
29	3702-029	Washer board
30	3702-030	Spring washer
31	3702-031	Screw ST4.2x45
32	3702-032	L spanner M4
33	3702-033	Saw blade

LIMITED ONE YEAR WARRANTY

WEN Products is committed to build tools that are dependable for years. Our warranties are consistent with this commitment and our dedication to quality

LIMITED WARRANTY OF WEN CONSUMER POWER TOOLS PRODUCTS FOR HOME USE

GREAT LAKES TECHNOLOGIES, LLC ("Seller") warrants to the original purchaser only, that all WEN consumer power tools will be free from defects in material or workmanship for a period of one (1) year from date of purchase. Ninety days for all WEN products, if the tool is used for professional use.

SELLER'S SOLE OBLIGATION AND YOUR EXCLUSIVE REMEDY under this Limited Warranty and, to the extent permitted by law, any warranty or condition implied by law, shall be the repair or replacement of parts, without charge, which are defective in material or workmanship and which have not been misused, carelessly handled, or misrepaired by persons other than Seller or Authorized Service Center. To make a claim under this Limited Warranty, please contact us at 1-800-232-1195. To acquire service, you will have to provide proof of purchase and may be asked to ship the tool back to us freight prepaid.

THIS LIMITED WARRANTY DOES NOT APPLY TO ACCESSORY ITEMS SUCH AS CIRCULAR SAW BLADES, DRILL BITS, ROUTER BITS, JIGSAW BLADES, SANDING BELTS, GRINDING WHEELS AND OTHER RELATED ITEMS.

ANY IMPLIED WARRANTIES SHALL BE LIMITED IN DURATION TO ONE (1) YEAR FROM DATE OF PURCHASE. SOME STATES IN THE U.S., SOME CANADIAN PROVINCES DO NOT ALLOW LIMITATIONS ON HOW LONG AN IMPLIED WARRANTY LASTS, SO THE ABOVE LIMITATION MAY NOT APPLY TO YOU.

IN NO EVENT SHALL SELLER BE LIABLE FOR ANY INCIDENTAL OR CONSEQUENTIAL DAMAGES (INCLUDING BUT NOT LIMITED TO LIABILITY FOR LOSS OF PROFITS) ARISING FROM THE SALE OR USE OF THIS PRODUCT. SOME STATES IN THE U.S. AND SOME CANADIAN PROVINCES DO NOT ALLOW THE EXCLUSION OR LIMITATION OF INCIDENTAL OR CONSEQUENTIAL DAMAGES, SO THE ABOVE LIMITATION OR EXCLUSION MAY NOT APPLY TO YOU.

THIS LIMITED WARRANTY GIVES YOU SPECIFIC LEGAL RIGHTS, AND YOU MAY ALSO HAVE OTHER RIGHTS WHICH VARY FROM STATE TO STATE IN THE U.S., PROVINCE TO PROVINCE IN CANADA AND FROM COUNTRY TO COUNTRY.

THIS LIMITED WARRANTY APPLIES ONLY TO PORTABLE ELECTRIC TOOLS, BENCH POWER TOOLS, OUTDOOR POWER EQUIPMENT AND PNUMATIC TOOLS SOLD WITHIN THE UNITED STATES OF AMERICA, CANADA AND THE COMMONWEALTH OF PUERTO RICO. FOR WARRANTY COVERAGE WITHIN OTHER COUNTRIES, CONTACT THE WEN CUSTOMER SUPPORT.



WWW.WENPRODUCTS.COM