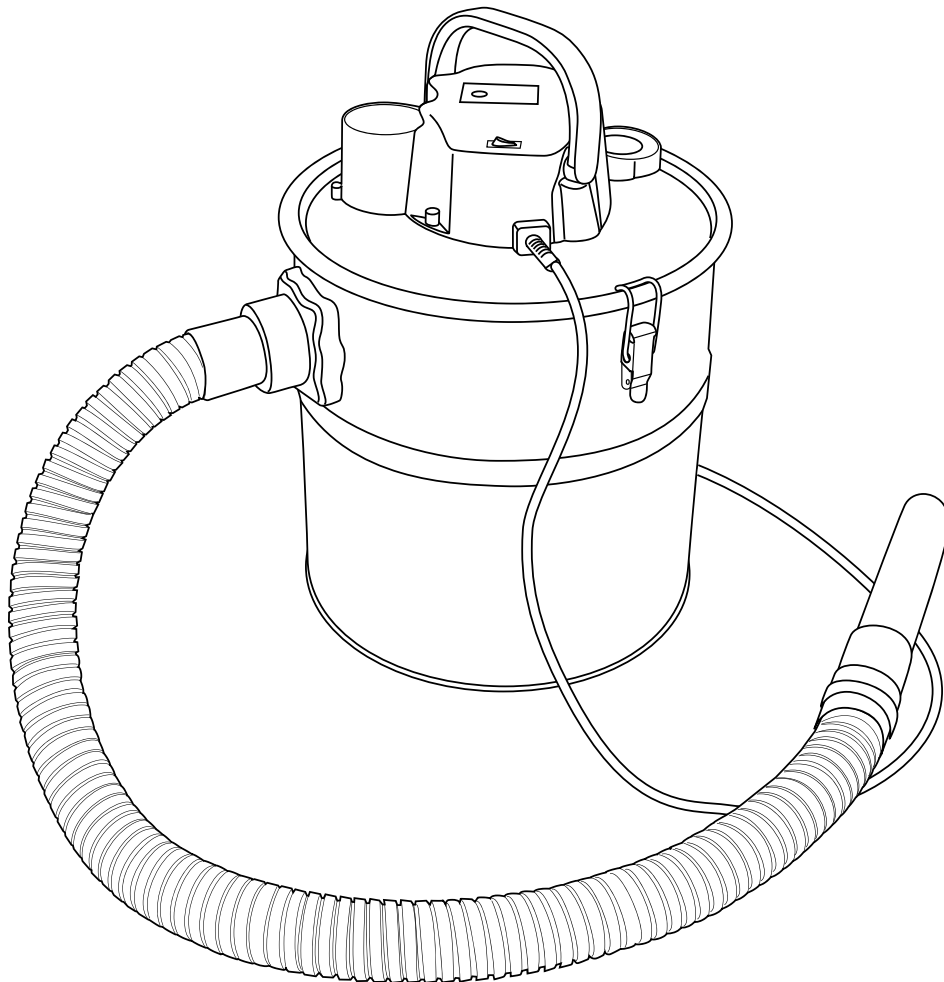


Hamilton Beach[®]

Fireplace Vacuum Cleaner

Owner's Manual

READ BEFORE USE



Model No. HB-405

WELCOME!

Congratulations, you have acquired a high-quality Hamilton Beach® Fireplace Vacuum Cleaner. This unit is packed with many features that you will find convenient to use. Please follow the safety precautions and operating instructions provided in this easy-to-use manual. Please take the time to read it, and save these instructions for future use. Please also remember to record the series number. The series number is located on the top of the unit next to the motor. Save your receipt by stapling it to this manual for convenient access.

Model No.: _____ HB-405 _____ Series number: _____

Date of purchase: _____

Index

1. Important Safeguards.....	1
2. Parts and Accessories	3
3. How to Assemble.....	4
4. How to Operate.....	4
5. General Maintenance	5
a. Filter Maintenance	
b. Other Maintenance Tips and Best Practices	
6. Troubleshooting.....	6
7. Warranty	7

1. IMPORTANT SAFEGUARDS

When using the vacuum cleaner, basic safety precautions should always be observed, including the following.

READ ALL INSTRUCTIONS BEFORE USING THIS APPLIANCE

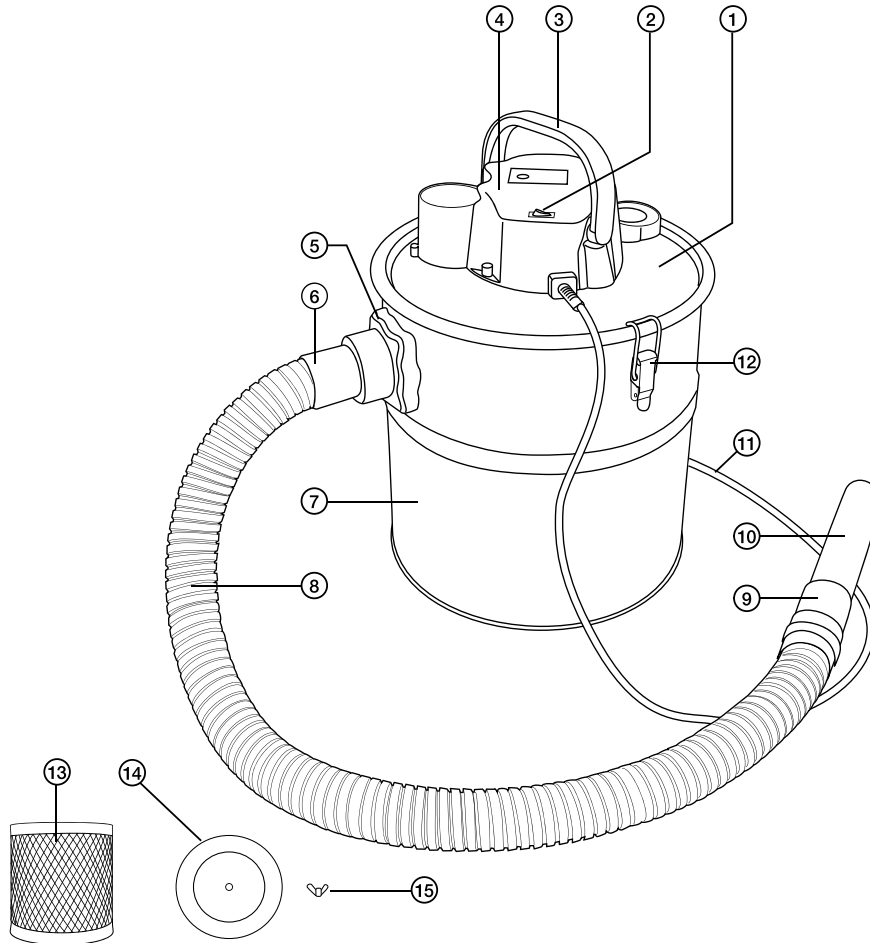
WARNING - To reduce the risk of fire, electric shock, or injury:

1. Always fully extend the power cord before use.
2. Only use the vacuum cleaner indoors on dry surfaces. Do not use outdoors or on wet surfaces.
3. Do not handle the plug or vacuum cleaner with wet hands.
4. Use only as described in this manual. Use only manufacturer's recommended attachments.
5. Do not leave appliance when plugged in. Unplug from outlet when not in use and before servicing.
6. Do not unplug by pulling on cord. To unplug, grasp the plug, not the cord.
7. Always unplug the vacuum cleaner before connecting or disconnecting the vacuum hose.
8. Do not allow to be used as a toy. This appliance is not intended for use by children or persons with reduced physical, sensory or mental capabilities, or lack of experience and knowledge, unless they have been given supervision or instruction concerning the use of the appliance by a person responsible for their safety.
9. Do not use with a damaged cord or plug. If appliance is not working as it should, has been dropped, damaged, left outdoors, or dropped into water, return it to a service center.
10. Do not use the vacuum cleaner with a damaged cord or plug. If the cord or plug is damaged, it must be replaced by the manufacturer or a recommended service agent.
11. Do not pull or carry by the cord or the hose. Do not use the cord or the hose as a handle, close a door on the cord or the hose or pull the cord or the hose around sharp edges or corners. Keep cord away from heated surfaces
12. Do not put any object into openings. Do not unnecessarily obstruct any openings of the vacuum cleaner as this may cause the unit to not work properly or may damage the unit. Do not use with any openings blocked and do not restrict airflow. Keep all openings free of dust, lint, hair or anything that might reduce airflow.

13. Keep hair, loose clothing, fingers and all parts of the body away from openings and moving parts.
14. Do not vacuum hot coals, cigarette butts, matches or any other hot, smoking or burning objects.
15. Do not vacuum flammable or combustible liquids (lighter fluid, gasoline, kerosene etc.) or use in the presence of explosive liquids or vapors.
16. Do not vacuum any liquids.
17. Do not vacuum harmful or toxic materials (chlorine, bleach, ammonia, drain cleaner etc.)
18. Do not vacuum hard or sharp objects such as glass, nails, screws, coins etc.
19. Do not use without the filter in place.
20. Keep vacuuming area well lit.
21. Store the vacuum cleaner in a cool, dry area.
22. Turn off the on/off switch before unplugging the vacuum cleaner.
23. Only use extension cords with an electrical rating equal to or greater than the rating of the vacuum. Non-approved cords may overheat. Care should be taken to arrange the cord so that the cord cannot be tripped over.
24. This appliance is intended for household use only.
25. Use extra care when cleaning the stairs.

SAVE THESE INSTRUCTIONS!

2. PARTS AND ACCESSORIES



- | | |
|-------------------------|--------------------|
| 1. Lid | 9. Hose Handle |
| 2. Switch | 10. Aluminum Tube* |
| 3. Handle | 11. Power Cord |
| 4. Motor | 12. Clips |
| 5. Hose Connector/Inlet | 13. Filter* |
| 6. Hose Adapter | 14. Filter Lid* |
| 7. Ash Container | 15. Wing Nut* |
| 8. Flexible Hose* | |

Common replacement part:

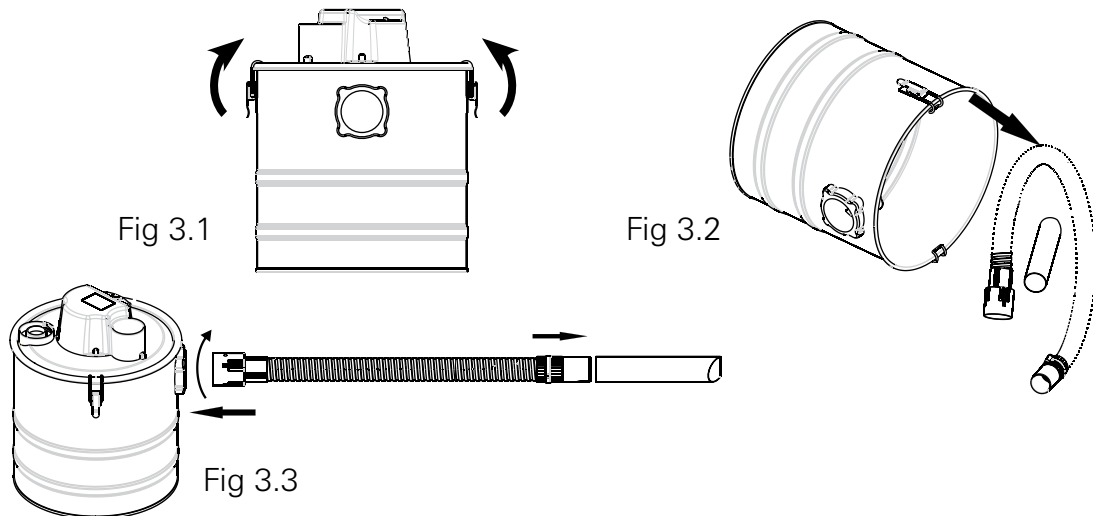
Filter HB-18405

*Replacement parts can be purchased at an authorized dealer. Call 1-888-960-0396 to find one nearest you.

3. HOW TO ASSEMBLE

WARNING! Shock Hazard: Always switch off and unplug the vacuum cleaner from the electrical outlet before assembling, opening or emptying the dirt container, or before connecting/disconnecting the attachments.

- Unpack the unit, unlatch the top of the vacuum and take the top off (Fig 3.1).
- Take the accessories out (Fig. 3.2).
- Firmly insert the aluminum tube into the handle of the hose. Insert the adapter at the end of the flexible hose into the hose connector located on the side of the vacuum and turn clockwise. The hose is now connected (Fig. 3.3).



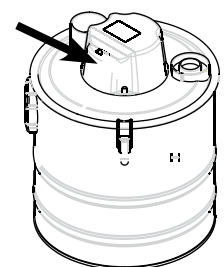
4. HOW TO OPERATE

WARNING! Fire Hazard: Do not use on flaming wood or glowing embers.

WARNING! Shock Hazard: Do not use outdoors or on wet surfaces.

CAUTION! Suction Hazard: This vacuum cleaner is a very powerful unit. Before plugging the cord into the electrical outlet, make sure the switch is in the "off" position. Hold the vacuum cleaner firmly when starting and in use.

- Press the on/off button to on to switch the vacuum on (Fig. 4.5).
- Place the end of the metal nozzle directly on the brick and rub in a circular motion to collect the ash. Break up large pieces to avoid clogging.

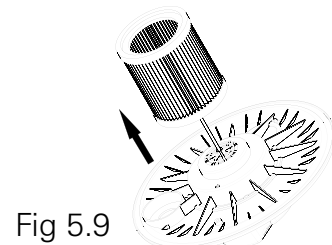
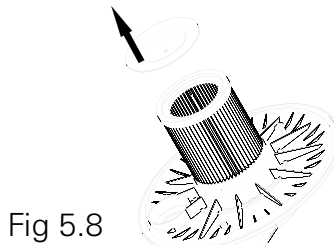
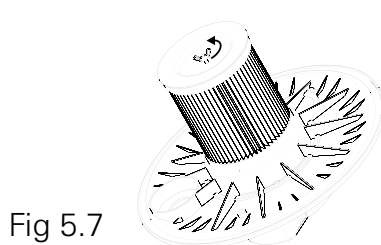


- c. When finished cleaning, switch vacuum to off position and unplug the unit from the wall outlet.
- d. To empty the container, pull the flexible hose out of the hose connector. Properly dispose of the ash and dirt from the vacuum container in a trash can.

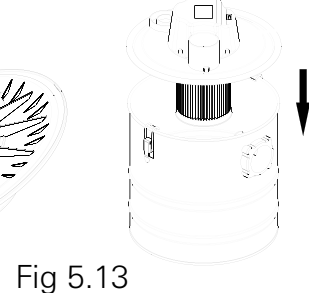
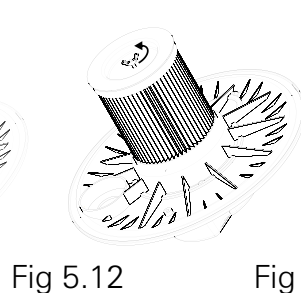
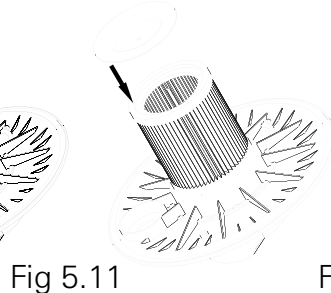
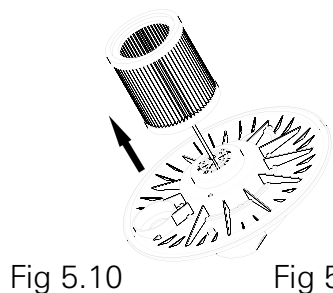
5. GENERAL MAINTENANCE

WARNING! Shock Hazard: Always switch off and unplug the vacuum cleaner from the electrical outlet before assembling, opening or emptying the dirt container, or before connecting/disconnecting the attachments.

- a. Filter maintenance
 1. Remove the lid from the vacuum and unscrew the filter wing nut on the top of the filter housing (Fig. 5.7).
 2. Remove the wing nut and take the filter lid off (Fig. 5.8). Remove the filter (Fig 5.9).
 3. Take filter off for cleaning. Remove excess dirt by tapping on the side of trash can. Do not wash the filter in water as this may damage the filter.



4. Return the filter onto the vacuum lid (Fig 5.10).
5. Replace filter lid (Fig 5.11). Put the wing nut back on to secure the filter (Fig 5.12).
6. Place the lid on the vacuum can and secure the latch in locking mode (Fig 5.13).



- b. Other maintenance tips and best practices
- The filter should be cleaned at least twice a month or when the filter becomes visibly solid due to dirt deposits.
 - Always operate the fireplace vacuum with the filter installed otherwise you may experience reduced suction and the motor may be damaged.
 - Always disconnect the cord from the electrical outlet before cleaning the ash container or filter.
 - When cleaning the filter, never place the filter into a washing machine. This may damage the filter.
 - Store the vacuum in a cool, dry area when not in use.
 - Cord should be wound by hand and secured with a string or rope. Do not store cord in can or wrap around vacuum.
 - Use an authorized service dealer for all repairs.
 - This appliance is intended for household use only.

WARNING! To reduce the risk of electric shock, this vacuum cleaner has a polarized plug (one blade is wider than the other). This plug will fit in a polarized outlet only one way. If the plug does not fit fully in the outlet, reverse the plug. If the plug still does not fit, please contact a qualified electrician to install the proper outlet. Do not change the plug in any way.

6. TROUBLESHOOTING

PROBLEM	CAUSE	SOLUTION
The vacuum cleaner won't run.	It is not properly plugged into the wall outlet.	Plug in firmly.
	There is no electricity in the wall outlet.	Check the home fuse or breaker.
	The on/off switch is not turned on.	Push on/off switch to on.
	Blown fuse/tripped breaker in home electrical box.	Reset the electrical box circuit breaker or replace fuse.
The vacuum cleaner won't pick up.	The ash container is full or clogged.	Clean the ash container.
	The dirt inlet is clogged.	Remove aluminum suction tube and remove obstruction.
	Clogged flexible hose.	Remove obstructions.
	Dirty filters or filter container.	Clean/change the filter.
	The hose not inserted fully.	Push the hose in securely.

Limited Warranty

What this limited warranty covers:

The manufacturer warrants that your Hamilton Beach® vacuum cleaner, model HB-405, for a period of one year from the date of original purchase, will be free from all defects in material and workmanship. This limited warranty is granted only to the original consumer purchaser or gift recipient. Keep the original sales receipt, as proof of purchase is required to make a warranty claim. This limited warranty is subject to the following provisions:

What this limited warranty does not cover:

- Expenses related to pick up, delivery or house calls. You are responsible for all costs associated with returning the product or any component to us, and our returning a product or component to you.
- Parts of the cleaner that require replacement under normal use, such as the filter.
- Damage or malfunction caused by accident, alteration, abuse, misuse, or use not in accordance with the Owner's Manual.
- Damage or malfunction caused by improper service or maintenance, the use of parts other than genuine Hamilton Beach® parts or modifications made to the cleaner without our prior written approval.
- Vacuums purchased or used outside the United States. This warranty is void if the product is used for other than single-family household use or subjected to any voltage or waveform other than as specified on the rating label (e.g., 120V ~ 60Hz).

The manufacturer will, at its option, repair or replace a defective vacuum or vacuum cleaner part that is covered by this limited warranty. This is your exclusive remedy. As a matter of warranty policy, the manufacturer will not refund the purchase price.

Warranty Registration:

To register for warranty please visit our website at www.essco.net and fill out a registration card.

Obtaining warranty service:

To obtain warranty service, call 888-960-0396 or e-mail us at hbvacsupport@essco.net.

If you prefer, you can write to: **ESSCO**
Attn: Hamilton Beach Warranty
1933 Highland Road
Twinsburg, OH 44087

When returning parts for repair, please include the model number and series number from the data label located on the top of the unit next to the motor.

Further Limitations and Exclusions:

THE WARRANTY PROVIDED ABOVE IS EXCLUSIVE AND IN LIEU OF ALL OTHER EXPRESS OR IMPLIED WARRANTIES. EVERY IMPLIED WARRANTY, INCLUDING ANY WARRANTY OF MERCHANTABILITY OR FITNESS FOR A PARTICULAR PURPOSE IS DISCLAIMED EXCEPT TO THE EXTENT PROHIBITED BY LAW, IN WHICH CASE SUCH WARRANTY IS LIMITED TO THE DURATION OF THIS WRITTEN WARRANTY. UNLESS STATED HEREIN, ANY STATEMENTS OR REPRESENTATIONS MADE BY ANY OTHER PERSON OR FIRM ARE VOID. WE EXCLUDE ALL CLAIMS FOR LOSS, INCONVENIENCE OR DAMAGE INCLUDING DIRECT, SPECIAL, INCIDENTAL OR CONSEQUENTIAL DAMAGES, RESULTING FROM THE USE OR INABILITY TO USE THE VACUUM PRODUCT, WHETHER RESULTING FROM BREACH OF WARRANTY OR ANY OTHER LEGAL THEORY. IN NO EVENT WILL HAMILTON BEACH'S LIABILITY EXCEED THE PURCHASE PRICE OF THE VACUUM CLEANER, LESS DEPRECIATION.

Some jurisdictions do not allow limitations on how long an implied warranty lasts and some jurisdictions do not allow the exclusion or limitation of incidental or consequential damages, so the above limitations and exclusions may not apply to you. This warranty gives you specific legal rights, and you may also have other rights, which vary from jurisdiction to jurisdiction.

Hamilton Beach® is a registered trademark of Hamilton Beach Brands, Inc. used under license by ESSCO.

**Hamilton
Beach®**



**Hamilton
Beach®**

