

# DV456EWHDSU

Samsung Top-Load Electric Dryer

## Features

- 7.3 cu. ft. Capacity DOE
- Smart Care
- 11 Preset Drying Cycles
- 8 Options
- 4 Temperature Settings
- 4-Way Venting
- Sensor Dry – Detects Moisture and Adjusts Time

## Convenience

- Dryer Drum Light
- Child Lock
- Door Safety
- Lint Filter Indicator
- Remaining Time Display



11 Drying Cycles



Sensor Dry

## Available Colors



Platinum  
(shown)



White

## Signature Features

### SMART CARE

- Perform a quick diagnosis and get access to troubleshooting options on your smartphone.\*

\*App available on Google Play and iTunes® App Store.

Available for iPhone® 4/4S and Galaxy Series smartphones and Galaxy Note.™

### SENSOR DRY

- Automatically adjusts drying time by sensing moisture so your clothes don't over or under dry.

### WRINKLE PREVENTION OPTION

- Intermittently tumbles clothes at the end of the drying cycle to help prevent wrinkles from setting in.



Ranked **"Highest in Customer Satisfaction with Clothes Dryers"**  
by J.D. Power and Associates.

(5 Consecutive Years)

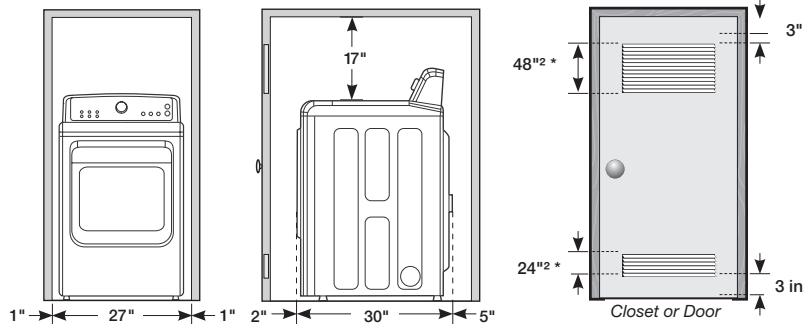
**SAMSUNG**

# DV456EWHDSU

Samsung Top-Load Electric Dryer

## Installing Your Dryer

Alcove or closet installation



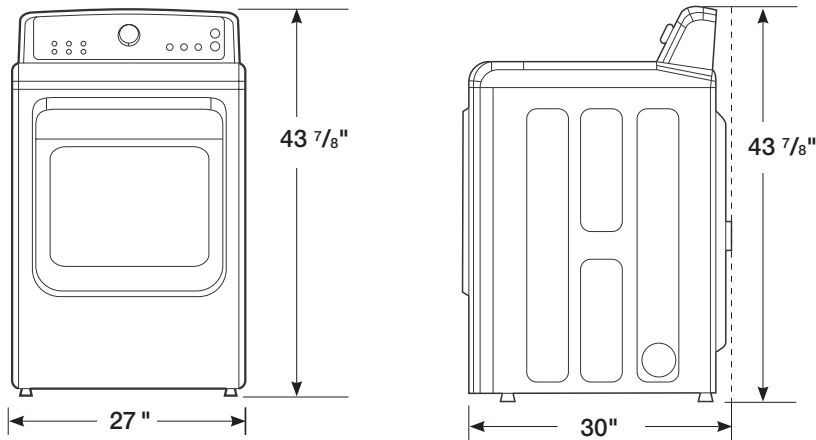
### Minimum clearances for closets and alcove:

Sides - 1"  
Top - 17"  
Rear - 5"  
Closet Front - 2"

If the washer and dryer are installed together, the closet front must have at least a 72 in<sup>2</sup> (465cm<sup>2</sup>) unobstructed air opening. Your washer alone does not require a specific air opening.

\* Required spacing  
\*\* External exhaust elbow requires additional space.

## Dimensions



## 7.3 cu. ft. Capacity DOE

4-Way Venting

### 11 Preset Dry Cycles:

Normal, Heavy Duty, Towels, Permanent Press, Bedding, Delicates, Sanitize, Time Dry, Air Fluff, Quick Dry, Wrinkle Release

### 8 Options:

Mixed Load Bell, Wrinkle Prevent, Adjust Time, My Cycle, Child Lock, Signal On/Off, Smart Care, Drum Light

### 4 Temperature Settings:

High, Medium, Low, Extra Low

### 4 Dry Levels:

Very Dry, More Dry, Normal Dry, Damp Dry

### 2 Signal Level Settings:

On/Off

### Accessories:

Vent Kit: DV-1A

### Warranty

One (1) Year Parts and Labor

Two (2) Years Control Board

### Product Dimensions & Weight (WxHxD)

Dimensions: 27" x 43 7/8" x 30"

Weight: 125.6 lbs

### Shipping Dimensions & Weight (WxHxD)

Dimensions: 29 1/2" x 46 1/2" x 31 1/8"

Weight: 134.4 lbs

Color	Model #	UPC Code
Platinum	DV456EWHDSU	036725590519
White	DV456EWHDWR	036725590465

### Matching Washer

Platinum	WA456DRHDSU	036725590502
White	WA456DRHDWR	036725590458

Actual color may vary. Design, specifications, and color availability are subject to change without notice. Non-metric weights and measurements are approximate.

**SAMSUNG**

Samsung received the highest numerical score for clothes washers (2009-2012) and dryers (2008-2012) in the proprietary J.D. Power and Associates Laundry Appliance Studies.<sup>SM</sup> 2012 study based on 9,339 total responses measuring 12 brands, and measures opinions of consumers about their washer and dryer obtained new in the past 24 months. Proprietary study results are based on experiences and perceptions of consumers surveyed in January-February 2012. Your experiences may vary. Visit [jdpower.com](http://jdpower.com).

©2013 Samsung Electronics America, Inc., 85 Challenger Road, Ridgefield Park, NJ 07660. Tel: 800-SAMSUNG. [samsung.com](http://samsung.com). Samsung is a registered trademark of Samsung Electronics Co. Ltd.