

BRINKMANN®

TRAILMASTER®

HEAVY-GAUGE VERTICAL SMOKER

AHUMADOR VERTICAL DE GRUESO CALIBRE

OWNER'S MANUAL / MANUAL DEL PROPIETARIO

ASSEMBLY AND OPERATING INSTRUCTIONS
INSTRUCCIONES DE ARMADO Y OPERACIÓN

**SAVE THIS MANUAL FOR FUTURE REFERENCE
GUARDE ESTE MANUAL PARA REFERENCIA FUTURA**

Model / Modelo 855-6304-S

NOTICE TO INSTALLER:
LEAVE THESE INSTRUCTIONS WITH
THE GRILL OWNER FOR FUTURE
REFERENCE.

AVISO PARA EL INSTALADOR:
ENTREGUE ESTAS INSTRUCCIONES AL
PROPIETARIO DE LA PARRILLA PARA
REFERENCIA FUTURA.

⚠ WARNING

READ AND FOLLOW ALL WARNINGS AND
INSTRUCTIONS IN THIS MANUAL TO AVOID
PERSONAL INJURY OR PROPERTY DAMAGE.

⚠ ADVERTENCIA

LEA Y SIGA TODAS LAS ADVERTENCIAS E
INSTRUCCIONES EN ESTE MANUAL PARA
EVITAR LESIONES PERSONALES O DAÑOS
MATERIALES.



IMPORTANT SAFETY WARNINGS

WE WANT YOU TO ASSEMBLE AND USE YOUR GRILL AS SAFELY AS POSSIBLE.

THE PURPOSE OF THIS SAFETY ALERT SYMBOL 

IS TO ATTRACT YOUR ATTENTION TO POSSIBLE HAZARDS AS YOU ASSEMBLE AND USE YOUR GRILL.

WHEN YOU SEE THE SAFETY ALERT SYMBOL, PAY CLOSE ATTENTION TO THE INFORMATION WHICH FOLLOWS!

 READ ALL SAFETY WARNINGS AND INSTRUCTIONS CAREFULLY

BEFORE ASSEMBLING AND OPERATING YOUR GRILL.

WARNING

- Only use this grill on a hard, level, non-combustible, stable surface (concrete, ground, etc.) capable of supporting the weight of the grill. Never use on wooden or other surfaces that could burn.
- Proper clearance of 10 feet between the grill and combustible material (bushes, trees, wooden decks, fences, buildings, etc.) or construction should be maintained at all times when grill is in use. Do not place grill under a roof overhang or other enclosed area.
- For outdoor use only. Do not operate grill indoors or in an enclosed area.
- For household use only. Do not use this grill for other than its intended purpose.
- We recommend the use of a Charcoal Chimney Starter to avoid the dangers associated with charcoal lighting fluid. If you choose to use charcoal lighting fluid, only use lighting fluid approved for lighting charcoal. Carefully read manufacturer's warnings and instructions on the charcoal lighting fluid and charcoal prior to the use of their product. Store charcoal lighting fluid safely away from grill.
- When using charcoal lighting fluid, allow charcoal to burn with grill lid and door open until covered with a light ash (approximately 20 minutes). This will allow charcoal lighting fluid to burn off. Failure to do this could trap fumes from charcoal lighting fluid in grill and may result in a flash fire or explosion when lid is opened.
- Do not use gasoline, kerosene or alcohol for lighting charcoal. Use of any of these or similar products could cause an explosion possibly leading to severe bodily injury.
- Never add charcoal lighting fluid to hot or even warm coals as flashback may occur causing severe burns.
- Place grill in an area where children and pets cannot come into contact with unit. Close supervision is necessary when grill is in use.
- Do not leave grill unattended when in use.
- When adding charcoal and/or wood, use extreme caution and follow instructions in "Adding Charcoal/Wood During Cooking" section of this manual.
- Do not store or use grill near gasoline or other flammable liquids, gases or where flammable vapors may be present.
- Do not store lighter fluid or other flammable liquids or material under the grill.

Grill is hot when in use. To avoid burns:

- DO NOT attempt to move the grill.
- Brace grill so the unit does not accidentally move.
- Wear protective gloves or oven mitts.
- DO NOT touch any hot grill surfaces.
- DO NOT wear loose clothing or allow hair to come in contact with grill.

⚠ WARNING

- Check grease level in grease cup often and empty or change when 3/4 full. Use extreme caution as the smoker, grease cup and its contents will be hot.
- When grilling, grease from meat may drip into the charcoal and cause a grease fire. If this should happen close lid to suffocate the flame. Do not use water to extinguish grease fires.
- Use caution since flames can flare-up when fresh air suddenly comes in contact with fire. When opening the lid, keep hands, face and body a safe distance from hot steam and flame flare-ups.
- Do not exceed a temperature of 400°F. Do not allow charcoal and/or wood to rest on the walls of firebox. Doing so will greatly reduce the life of the metal and finish of your grill.
- Use caution when assembling and operating your grill to avoid scrapes or cuts from sharp edges of metal parts. Use caution when reaching into or under grill.
- When opening lid, make sure it is pushed all the way open. If lid is not fully open, it could fall back to a closed position and cause bodily injury.
- In windy weather, place grill in an outdoor area that is protected from the wind.
- Close lid, door and smoke stack to suffocate flame.
- Never leave coals and ashes in grill unattended. Before grill can be left unattended, remaining coals and ashes must be removed from grill. Use caution to protect yourself and property. Carefully place remaining coals and ashes in a non-combustible metal container and saturate completely with water. Allow coals and water to remain in metal container 24 hours prior to disposing.
- Extinguished coals and ashes should be placed a safe distance from all structures and combustible materials.
- With a garden hose, completely wet the surface beneath and around grill to extinguish any ashes, coals or embers which may have fallen during the cooking or cleaning process.
- After each use, clean the grill thoroughly and apply a light coat of vegetable oil to interior to prevent rusting. Cover the grill to protect it from excessive rusting.
- Use caution when lifting or moving grill to prevent strains and back injuries.
- We advise that a fire extinguisher be on hand. Refer to your local authority to determine proper size and type of fire extinguisher.
- Accessory attachments not manufactured by The Brinkmann Corporation for this particular product are not recommended and may lead to personal injury or property damage.
- Store the grill out of reach of children and in a dry location when not in use.
- Do not attempt to service grill other than normal maintenance as explained in “After-Use Safety” and “Proper Care & Maintenance” sections of this manual.
- Remove all stickers and labels before first use.
- Properly dispose of all packaging material.

USE CAUTION AND COMMON SENSE WHEN OPERATING YOUR GRILL.

**FAILURE TO ADHERE TO SAFETY WARNING AND GUIDELINES IN THIS MANUAL COULD RESULT
IN BODILY INJURY OR PROPERTY DAMAGE.**

SAVE THIS MANUAL FOR FUTURE REFERENCE.

ASSEMBLY INSTRUCTIONS

▲ READ ALL SAFETY WARNINGS & ASSEMBLY INSTRUCTIONS CAREFULLY BEFORE ASSEMBLING OR OPERATING YOUR GRILL.

FOR MISSING PARTS, PLEASE CALL CUSTOMER SERVICE AT 800-527-0717.
Inspect contents of the box to ensure all parts are included and undamaged.

We recommend two people work together when assembling this unit.

The following tools are required to assemble this Trailmaster:

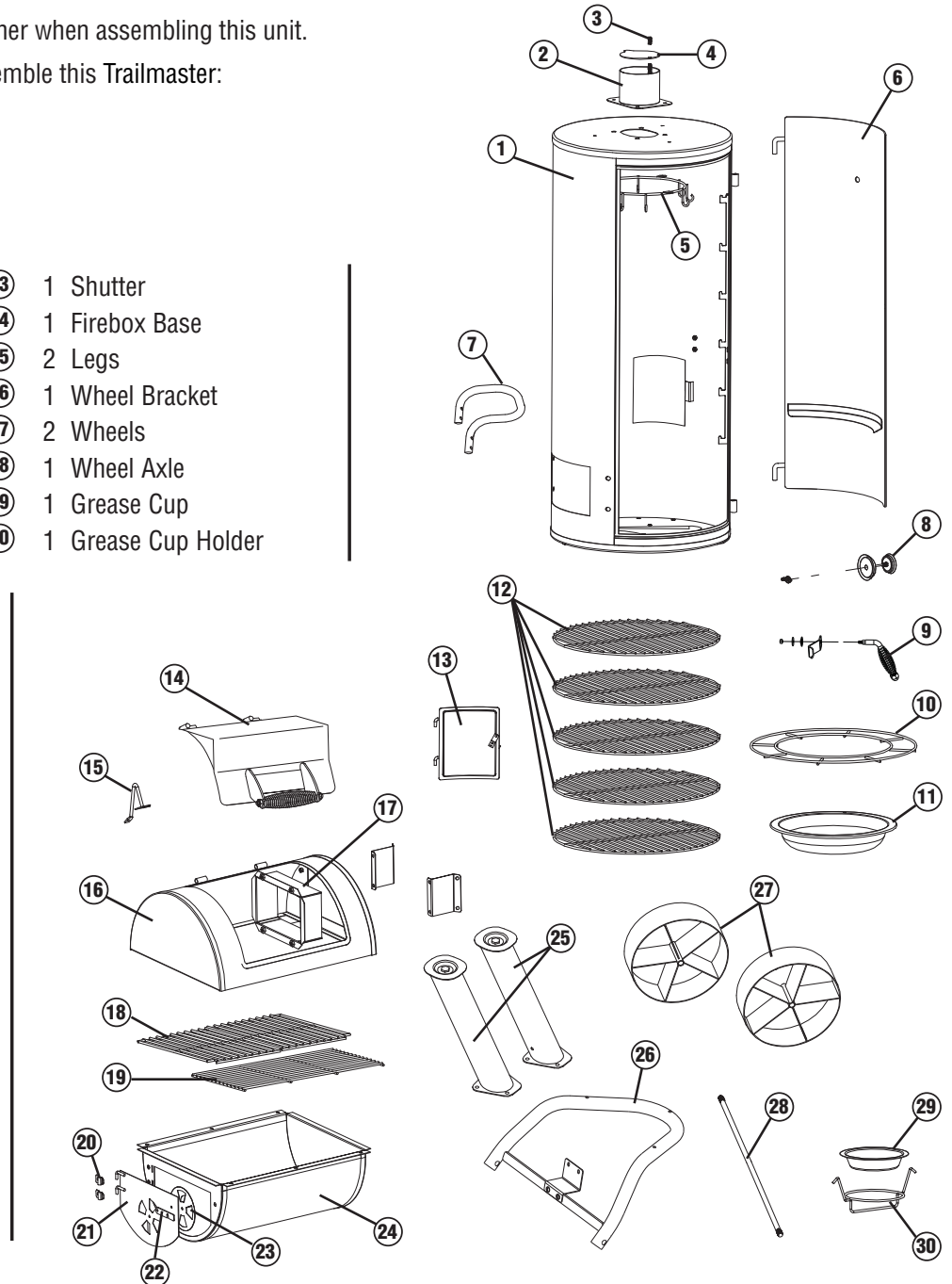
- Pliers
- Phillips & Flathead Screwdrivers
- Adjustable Wrench

PARTS LIST -

Heavy Gauge Vertical Trailmaster:

- ① 1 Smoking Chamber
- ② 1 Smoke Stack
- ③ 1 Smoke Stack Damper Spring
- ④ 1 Smoke Stack Damper
- ⑤ 1 Meat Hook Rack
- ⑥ 1 Smoker Door
- ⑦ 1 Smoker Handle
- ⑧ 1 Temperature Gauge
- ⑨ 1 Door Latch
- ⑩ 1 Water Pan Support
- ⑪ 1 Water Pan
- ⑫ 5 Smoker Cooking Grates
- ⑬ 1 Water Access Door
- ⑭ 1 Firebox Lid
- ⑮ 1 Firebox Lid Stop
- ⑯ 1 Firebox Top
- ⑰ 1 Firebox Crossover
- ⑱ 2 Firebox Cooking Grates
- ⑲ 1 Firebox Charcoal Grate
- ⑳ 2 Firebox Hinges
- ㉑ 1 Firebox Door
- ㉒ 1 Firebox Door Latch

- ㉓ 1 Shutter
- ㉔ 1 Firebox Base
- ㉕ 2 Legs
- ㉖ 1 Wheel Bracket
- ㉗ 2 Wheels
- ㉘ 1 Wheel Axle
- ㉙ 1 Grease Cup
- ㉚ 1 Grease Cup Holder



CALIFORNIA PROPOSITION 65 WARNING

This product contains chemicals, including lead in the brass of certain component parts, that are known to the State of California to cause cancer, and birth defects or other reproductive harm.
Wash hands after handling. When used, this product emits fuel combustion chemicals that are known to the State of California to cause cancer, and birth defects or other reproductive harm.

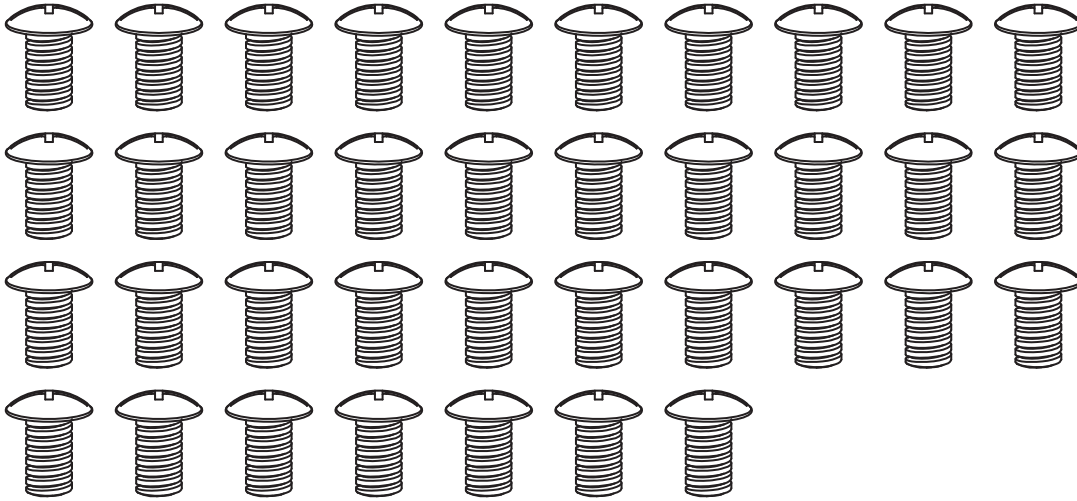
Follow all instructions in this manual and use only in well ventilated, outdoor area.

Parts Bag Contents

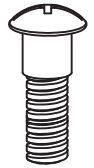
- 37 M6 X 12 mm Bolts
- 4 M6 X 30 mm Bolts
- 3 M6 X 45 mm Bolts
- 1 M5 X 14 mm Shoulder Bolt

- 1 M6 X 14 mm Shoulder Bolt
- 1 M5 Nut
- 12 M6 Nuts
- 2 M12 Lock Nuts

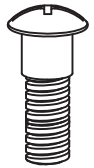
M6 X 12 mm Bolts



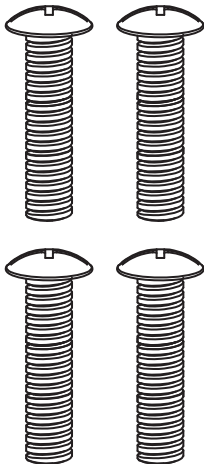
M5 X 14 mm Shoulder Bolt



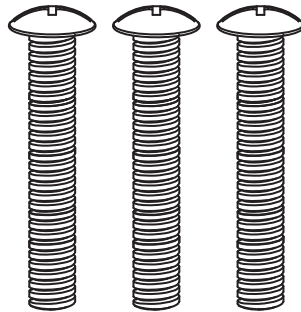
M6 X 14 mm Shoulder Bolt



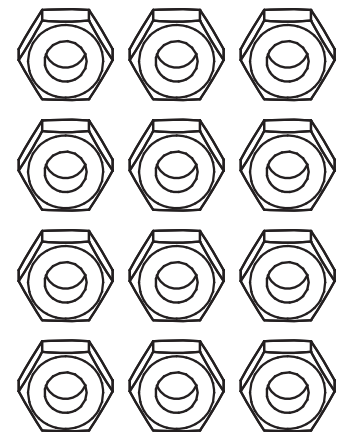
M6 X 30 mm Bolts



M6 X 45 mm Bolts



M6 Nuts



M12 Lock Nuts



M5 Nut



Choose a good, cleared assembly area and get a friend to help you put your smoker together. Lay cardboard down to protect smoker finish and assembly area. Turn the smoking chamber upside down to begin assembly.

Step 1

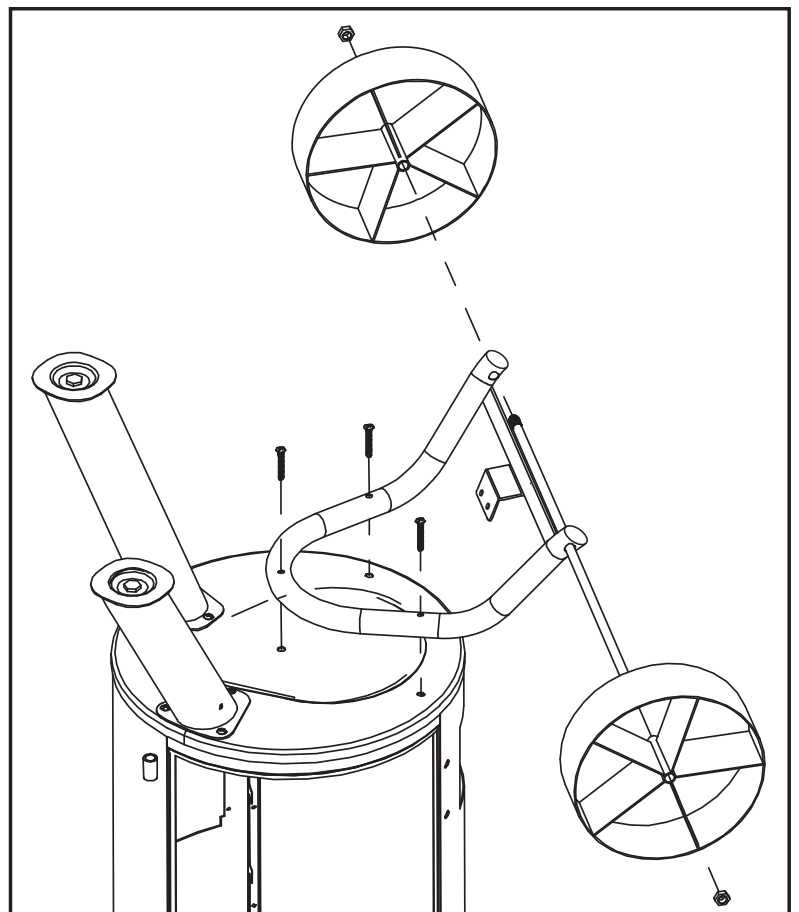
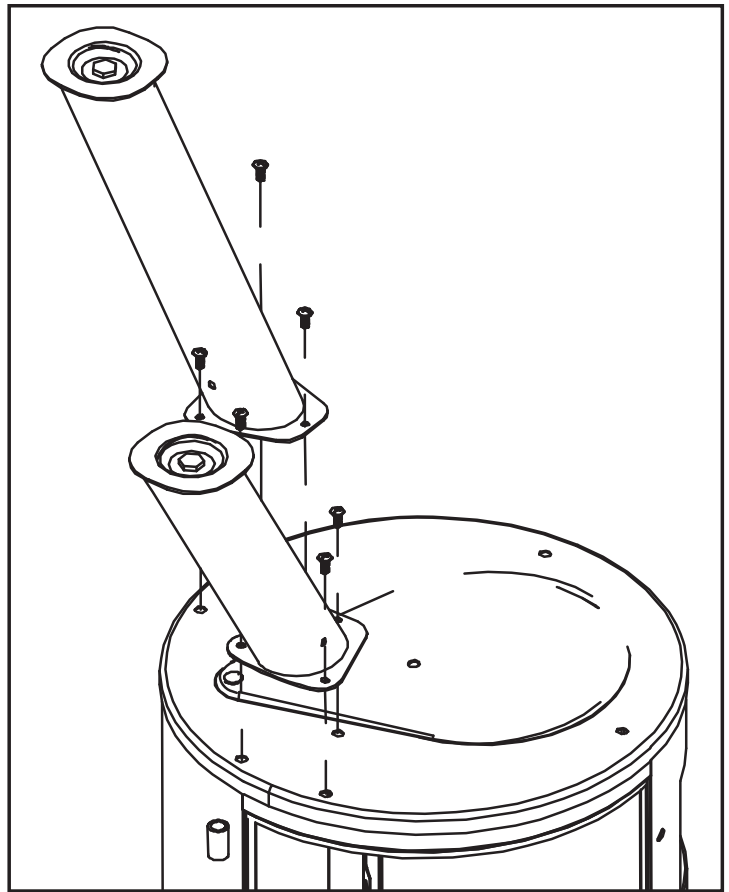
Attach legs to the bottom of the smoking chamber using six M6 x 12 mm bolts.

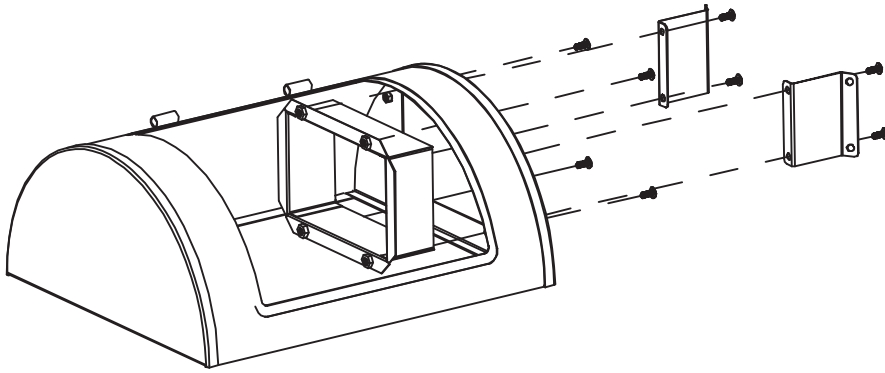
Step 2

Attach wheel bracket using three M6 x 45 mm bolts. Next insert wheel axle through hole in the wheel bracket. Place wheels on the ends of the wheel axle, and secure with two lock nuts.

Step 3

Attach smoker handle using four M6 x 30 mm bolts and four M6 nuts.

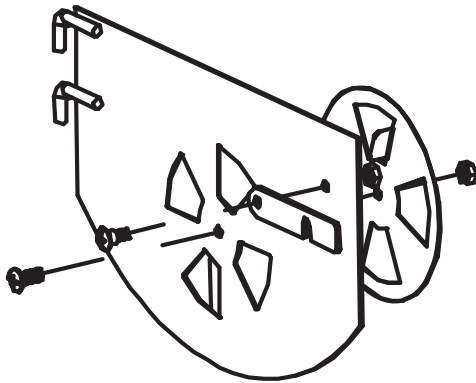




With the help of a friend, turn smoking assembly into upright position and set aside for later use.

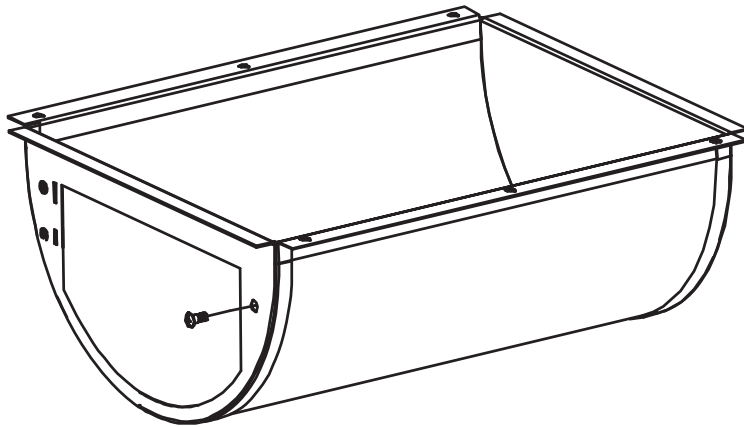
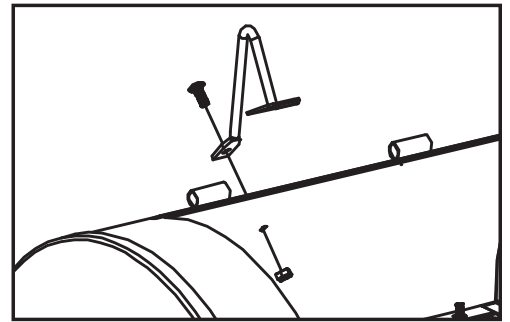
Step 4

Install firebox crossover using eight M6 x 12 mm bolts.



Step 5

Attach lid stop using one M6 x 12 mm bolt and one M6 nut.



Step 6

Attach shutter to firebox door using one M6 x 12 mm bolt and M6 nut. Do not over tighten air shutter, air shutter should move freely.

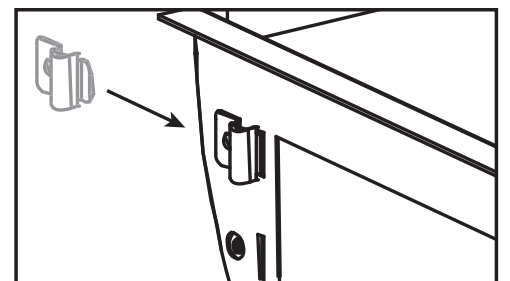
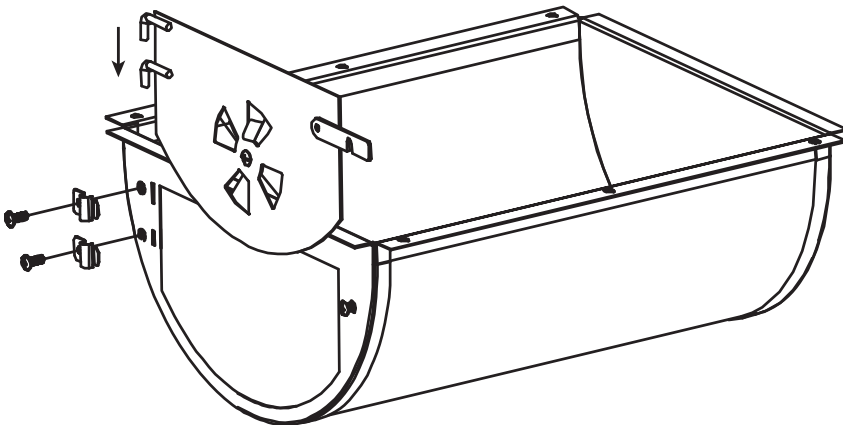
Attach door latch using one M5 x 14 mm shoulder bolt and M5 nut as illustrated.

Step 7

Insert one M6 x 14 mm shoulder bolt into side of firebox.

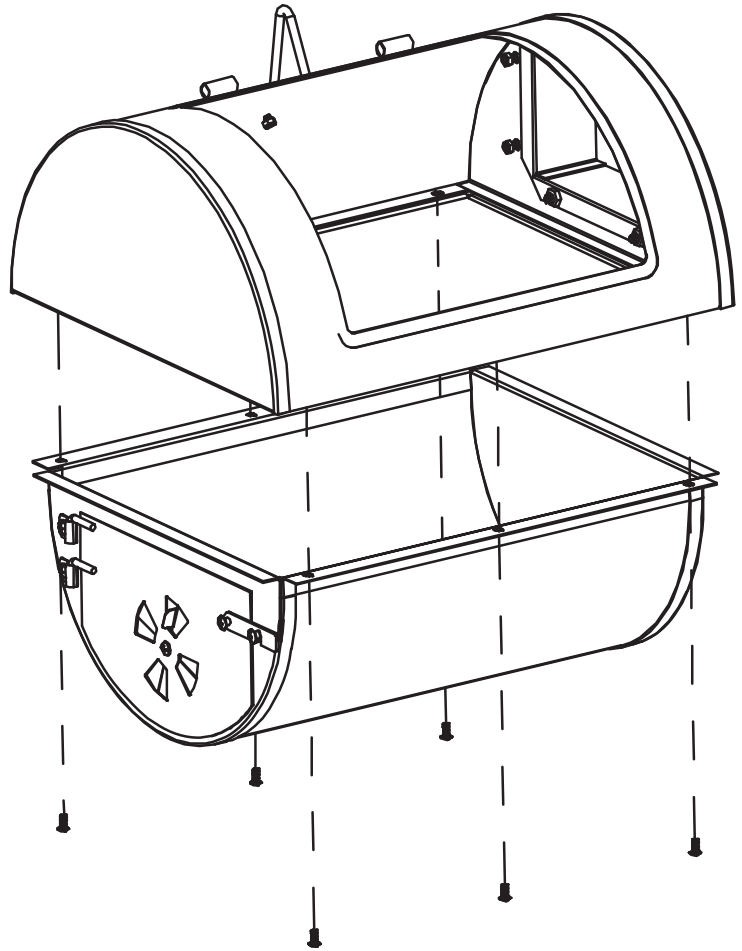
Step 8

Attach hinges to firebox by inserting tabs into slots (shown below). Attach firebox door by inserting firebox door hinge pins into hinges on firebox, then secure hinges with two M6 x 12 mm bolts. Secure door latch on M6 x 14 mm shoulder bolt.



Step 9

Attach firebox top to firebox base using six M6 x 12 mm bolts.



Step 10

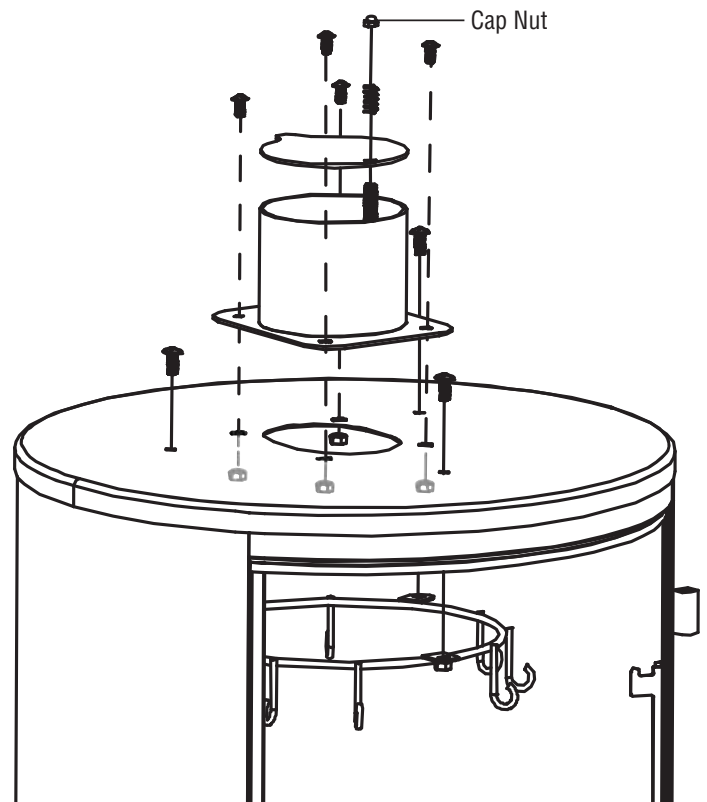
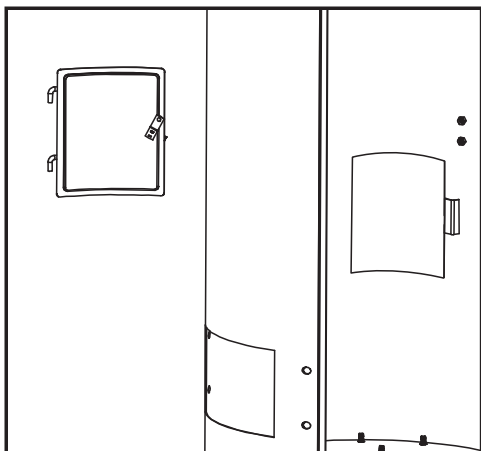
Attach smokestack to smoking chamber using four M6 x 12 mm bolts and four M6 nuts. Then attach smoke stack damper using spring and one cap nut.

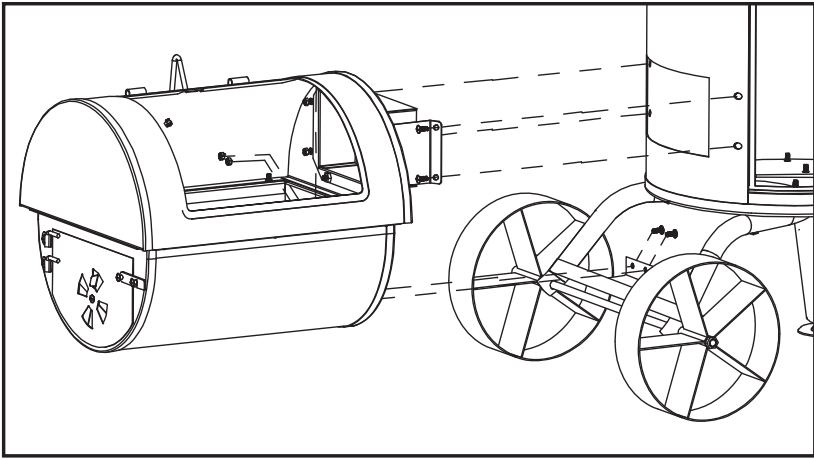
Step 11

Install meat hooks using three M6 x 12 mm bolts.

Step 12

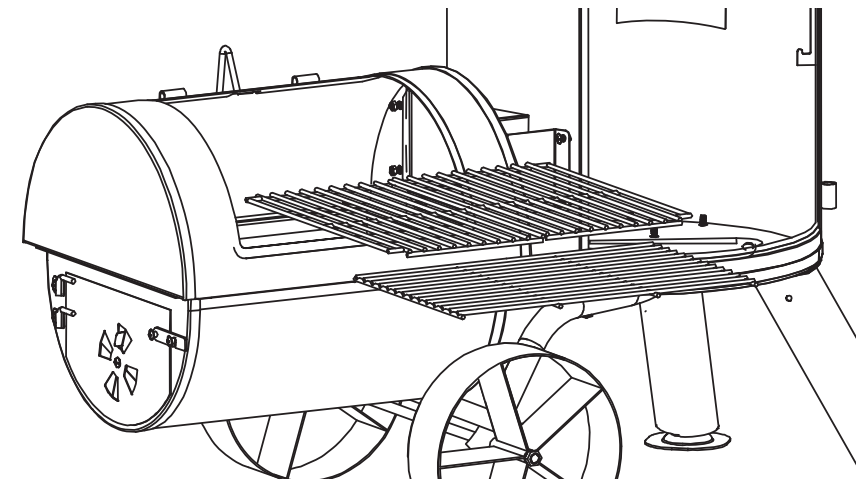
Attach water access door to the back of the smoking chamber.





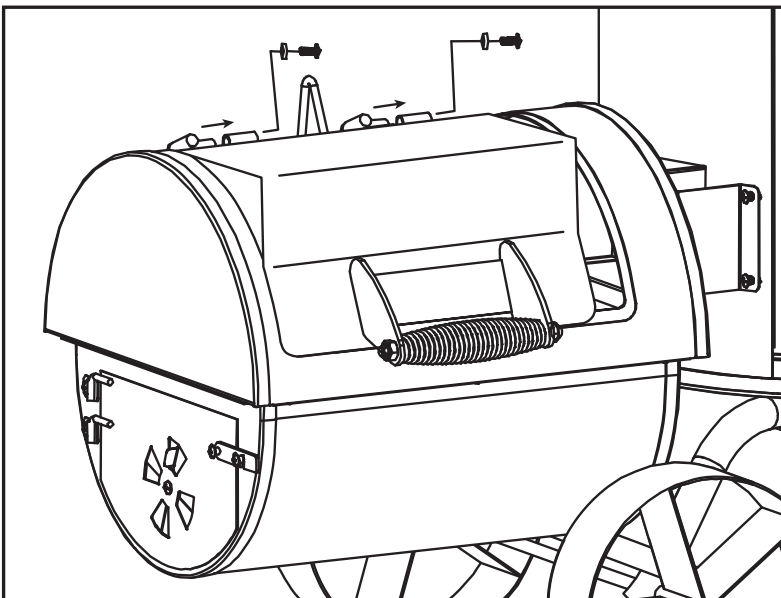
Step 13

Attach firebox onto smoker assembly using six M6 x 12 mm bolts and two M6 nuts as shown.



Step 14

Place cooking grates and charcoal grate into firebox.

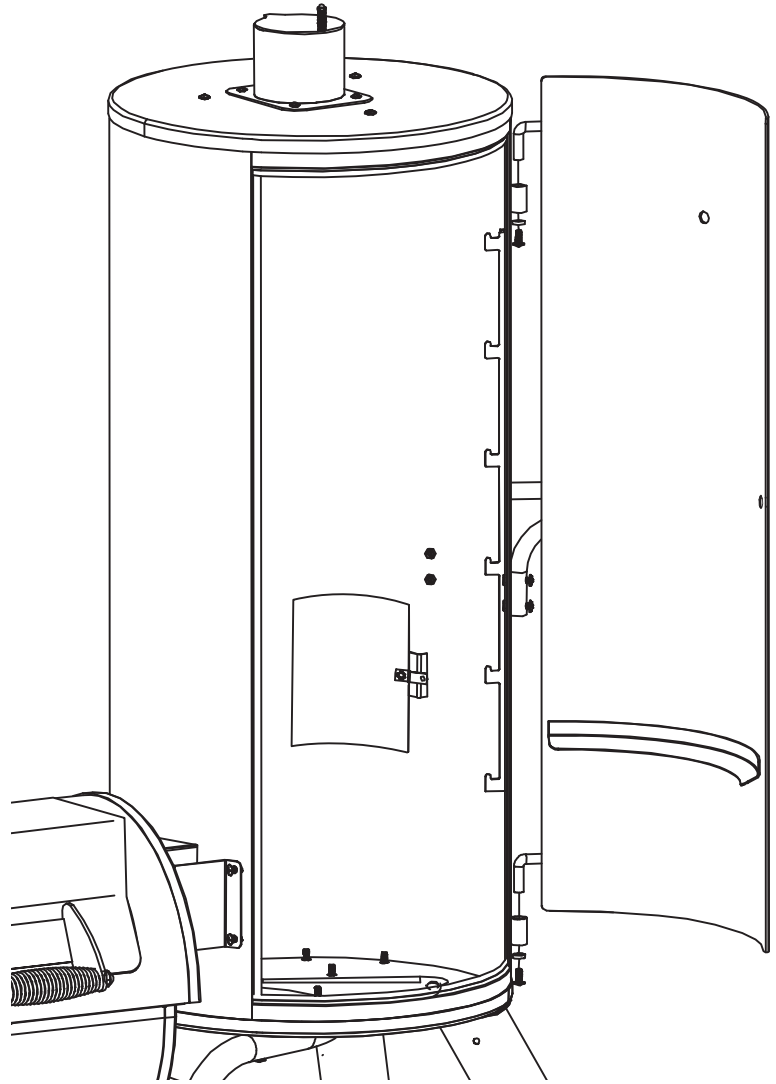


Step 15

Attach firebox lid to firebox top by sliding hinge pins into hinges. Secure with two M6 x 12 mm bolts and hinge washers

Step 16

Attach smoker door by sliding hinge pins into hinges. Secure with two M6 x 12 mm bolts and hinge washers.

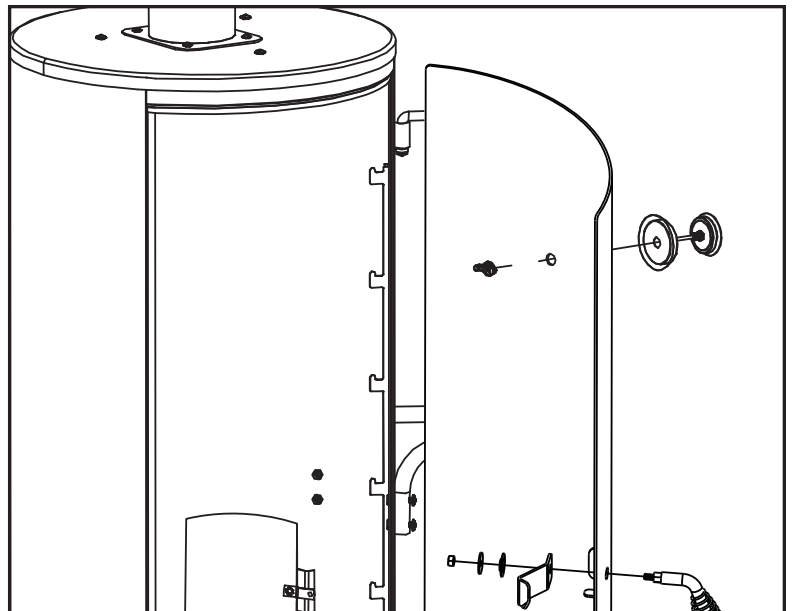
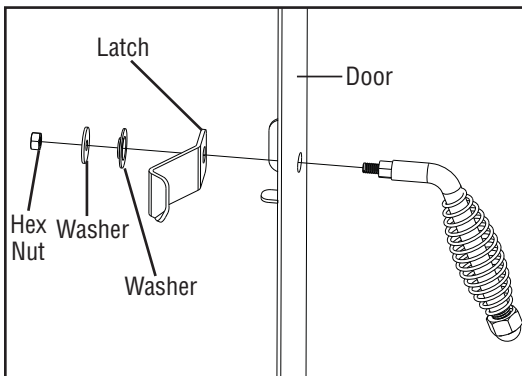


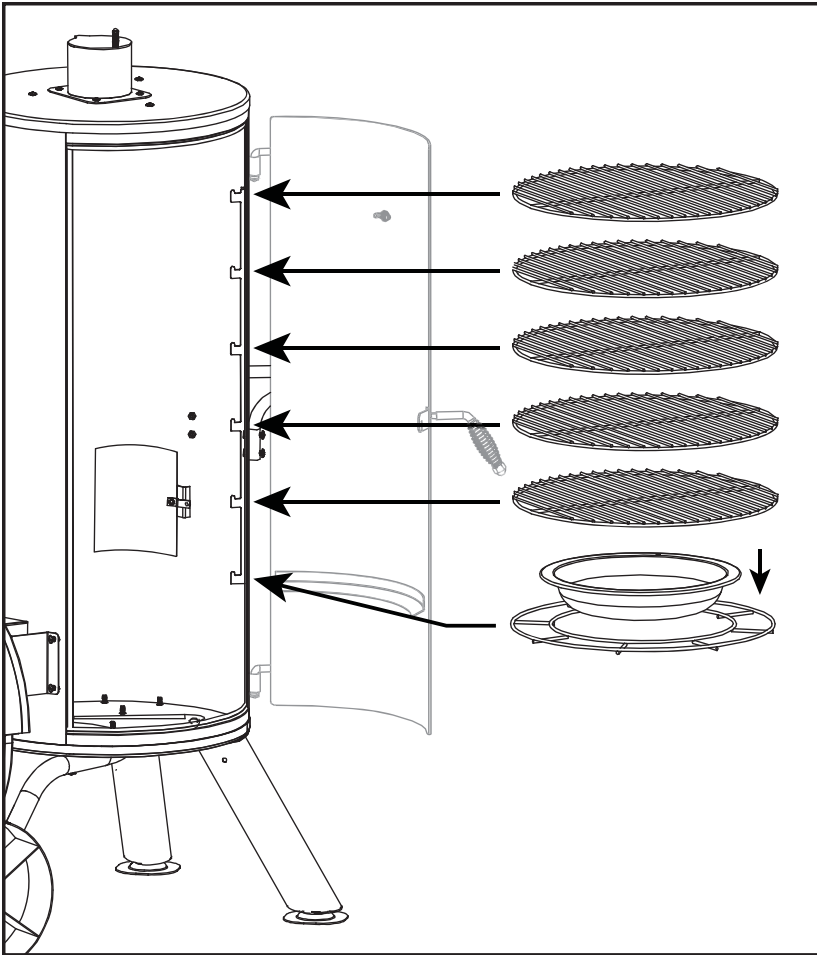
Step 17

Attach temperature gauge through hole in door as shown. Secure with wing nut.

Step 18

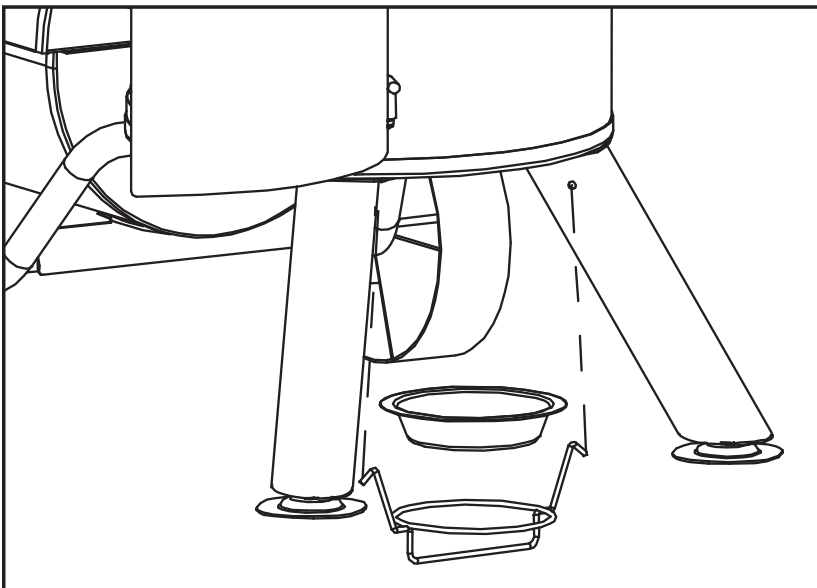
Insert door handle through hole in door, with handle pointed to left. Place door latch on handle pointing up and secure with two washers and hex nut.





Step 19

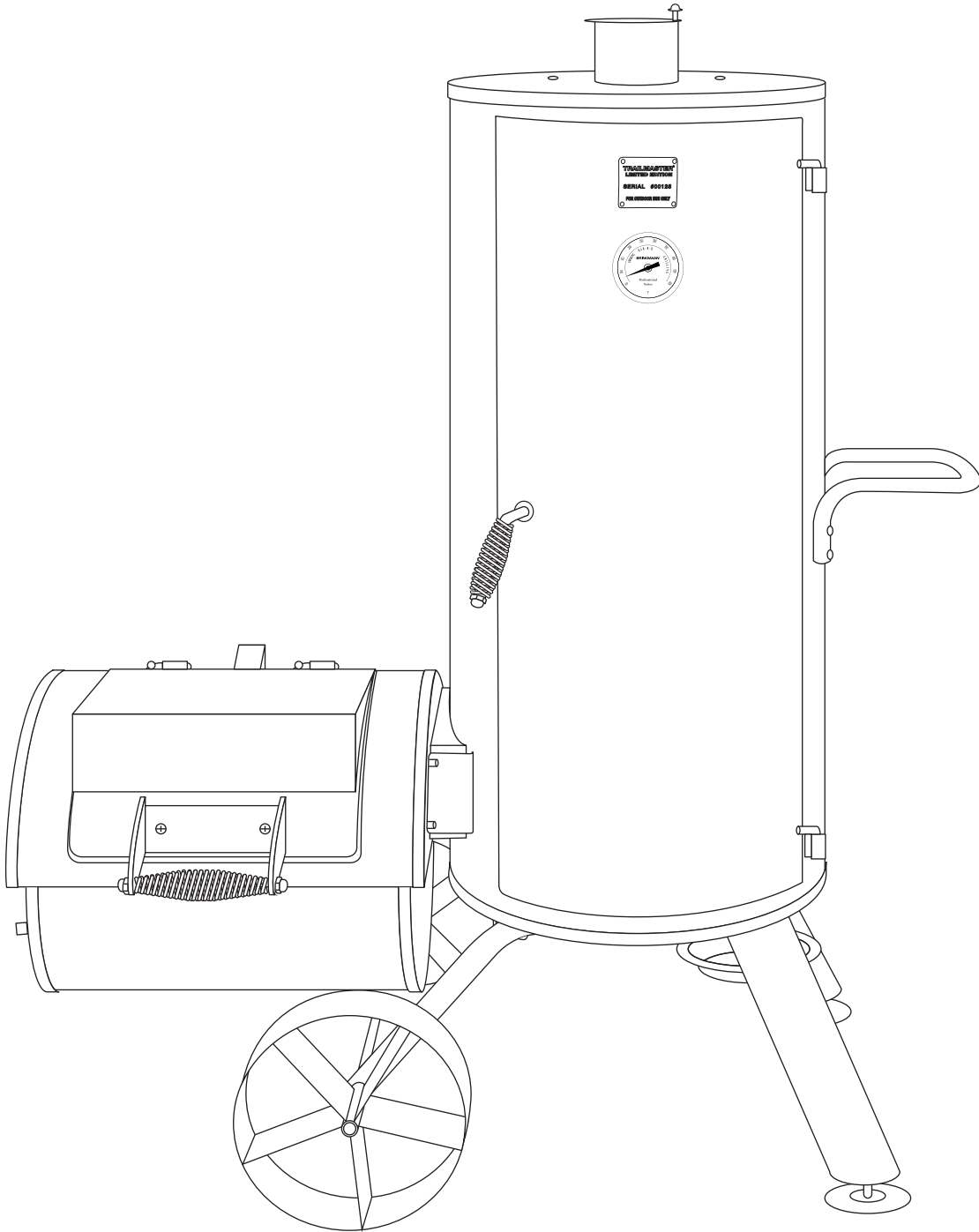
Place cooking grates, water pan and water pan support into smoking assembly onto corresponding brackets.



Step 20

Place grease cup in grease cup holder. Insert prongs of grease cup holder into holes in the smoker assembly legs.

Heavy Gauge Vertical Trailmaster
(Assembled)

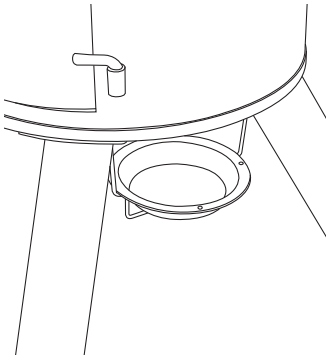


PREPARATION FOR USE & LIGHTING INSTRUCTIONS

⚠ PLACE THE GRILL OUTDOORS ON A HARD, LEVEL, NON-COMBUSTIBLE SURFACE AWAY FROM ROOF OVERHANG OR ANY COMBUSTIBLE MATERIAL. NEVER USE ON WOODEN OR OTHER SURFACES THAT COULD BURN. PLACE THE GRILL AWAY FROM OPEN WINDOWS OR DOORS TO PREVENT SMOKE FROM ENTERING YOUR HOUSE. IN WINDY WEATHER, PLACE THE GRILL IN AN OUTDOOR AREA THAT IS PROTECTED FROM THE WIND.

⚠ READ ALL SAFETY WARNINGS AND INSTRUCTIONS CAREFULLY BEFORE OPERATING YOUR GRILL.

Curing Your Grill



Prior to your first use of the Brinkmann Trailmaster, follow the instructions below carefully to cure your grill. Curing your grill will minimize damage to the exterior finish as well as rid the grill of paint odor that can impart unnatural flavors to the first meal prepared on your Brinkmann Trailmaster.

IMPORTANT: To protect your grill from excessive rust, the unit must be properly cured and covered at all times when not in use. A cover for your Trailmaster may be ordered directly from Brinkmann by calling 800-468-5252.

Step 1

Remove cooking grills from cooking chamber and firebox and set aside.

Step 2

Lightly coat all interior surfaces of the smoker including cooking grills with vegetable oil or vegetable oil spray. Do not coat charcoal grates.

Step 3

Make sure grease cup is in place. Grease cup must be in place at all times.

Step 4

Follow the instructions below carefully to build a fire. You may use charcoal and/or wood as fuel in the firebox (see “Adding Charcoal/Wood During Cooking” section of this manual).

NOTE: We recommend using charcoal that has been pre-treated with lighter fluid or a charcoal chimney starter.

⚠ WARNING: DO NOT store lighter fluid or other flammable liquids, material or charcoal that has been pre-treated with lighter fluid under or around the grill.

If using a Charcoal Chimney Starter, follow all manufacturer’s warnings and instructions regarding the use of their product. Start with 3.5 pounds of charcoal in firebox. This should be enough charcoal to cook with, once the curing process has been completed.

NOTICE: To avoid heat damage to the paint, do not use more than 3.5 pounds of charcoal/wood in the firebox. Light the charcoal/wood with the lid open and do not close the lid until flames have gone out (5-10 minutes). When cooking, adjust air shutter to minimize flames in the firebox. Closing the air shutter will lower the flames and cooking temperature.

Step 5

With firebox lid and cooking chamber door open, stand back and carefully light charcoal and allow to burn until covered with a light ash (approximately 20 minutes). When charcoal is burning strong, carefully place hot coals in center of charcoal grate.

NOTE: To extend the life of your grill, make sure that hot coals and wood do not touch the walls of firebox.

IF USING CHARCOAL CHIMNEY STARTER, PROCEED TO STEP 9

If using lighter fluid, follow all manufacturer's warnings and instructions regarding the use of their product. Start with 3.5 pounds of charcoal in firebox. This should be enough charcoal to cook with once the curing process has been completed. Open the firebox air shutter approximately 1" to 2" and smokestack damper halfway.

Step 6

Saturate charcoal with lighting fluid. With firebox lid and cooking chamber door open wait 2 to 3 minutes to allow lighting fluid to soak into charcoal. Store charcoal lighting fluid safely away from the smoker.

Step 7

With firebox lid and cooking chamber door open, stand back and carefully light charcoal and allow to burn until covered with a light ash (approximately 20 minutes).

WARNING: Charcoal lighting fluid must be allowed to completely burn off prior to closing firebox lid and cooking chamber door (approximately 20 minutes). Failure to do this could trap fumes from charcoal lighting fluid in smoker and may result in a flash-fire or explosion when lid or door is opened.

WARNING: Keep hot coals away from the firebox air shutter to prevent coals from falling out.

NOTE: To extend the life of your grill, make sure that hot coals and wood do not touch the walls of firebox.

IF USING LIGHTER FLUID, PROCEED TO STEP 9

If using pre-treated charcoal, follow all manufacturer's warnings and instructions regarding the use of their product. Start with 3.5 pounds of charcoal in firebox. This should be enough charcoal to cook with once the curing process has been completed. Open the firebox air shutter approximately 1" to 2" and smokestack damper halfway.

Step 8

With firebox lid and cooking chamber door open, stand back and carefully light charcoal and allow to burn until covered with a light ash (approximately 20 minutes). When charcoal is burning strong, carefully place hot coals in center of charcoal grate.

Step 9

With coals burning strong, close the firebox lid and cooking chamber door. Allow the temperature to reach 250°F on heat indicator. Maintain this temperature for 2 hours.

Step 10

Increase the temperature to approximately to 400°F. This can be achieved by opening the smokestack damper and adding more charcoal and/or wood (see "Adding Charcoal/Wood During Cooking" section of this manual). Maintain this temperature for 1 hour then allow unit to cool completely.

NOTE: Never exceed a temperature of 450°F in cooking chamber. It is important that the exterior of the smoker is not scraped or rubbed during the curing process.

**YOUR BRINKMANN SMOKER IS NOW CURED AND
READY FOR USE.**

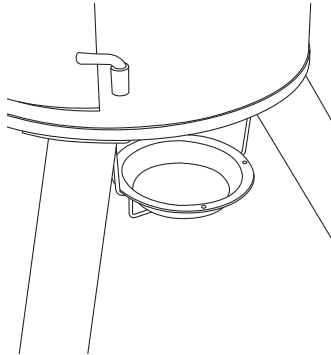


OPERATING INSTRUCTIONS

⚠️ PLACE THE GRILL OUTDOORS ON A HARD, LEVEL, NON-COMBUSTIBLE SURFACE AWAY FROM ROOF OVERHANG OR ANY COMBUSTIBLE MATERIAL. NEVER USE ON WOODEN OR OTHER SURFACES THAT COULD BURN. PLACE THE GRILL AWAY FROM OPEN WINDOWS OR DOORS TO PREVENT SMOKE FROM ENTERING YOUR HOUSE. IN WINDY WEATHER, PLACE THE GRILL IN AN OUTDOOR AREA THAT IS PROTECTED FROM THE WIND.

⚠️ READ ALL SAFETY WARNINGS AND INSTRUCTIONS CAREFULLY BEFORE OPERATING YOUR GRILL.

Smoking



Step 1

Place a charcoal grate in firebox. Place cooking grills in cooking chamber, then follow instructions below carefully to build a fire. You may use charcoal and/or wood as fuel in the Trailmaster (see “Adding Charcoal/Wood During Cooking” section of this manual).

Step 2

Place the grease cup on the grease cup holder. The grease cup must be placed under the grease hole at all times.

NOTE: We recommend using charcoal that has been pre-treated with lighter fluid or a charcoal chimney starter.

WARNING: DO NOT store lighter fluid or other flammable liquids, material or charcoal that has been pre-treated with lighter fluid under or around the grill.



If using a Charcoal Chimney Starter, follow all manufacturer’s warnings and instructions regarding the use of their product. Start with 3.5 pounds of hot coals on charcoal grate.

NOTICE: To avoid heat damage to the paint, do not use more than 3.5 pounds of charcoal/wood in the firebox. Light the charcoal/wood with the lid open and do not close the lid until flames have gone out (5-10 minutes). When cooking, adjust air shutter to minimize flames in the firebox. Closing the air shutter will lower the flames and cooking temperature.

Step 3

With firebox lid and cooking chamber lid open, stand back and carefully light charcoal and allow to burn until covered with a light ash (approximately 20 minutes). When charcoal is burning strong, carefully place hot coals in center of firebox charcoal grate.



WARNING: Keep hot coals away from the firebox air shutter to prevent coals from falling out.

NOTE: To extend the life of your grill, make sure that hot coals and wood do not touch the walls of grill.

IF USING CHARCOAL CHIMNEY STARTER, PROCEED TO STEP 7

If you choose to use charcoal lighting fluid, ONLY use charcoal lighting fluid approved for lighting charcoal. Do not use gasoline, kerosene, alcohol or other flammable material for lighting charcoal. Follow all manufacturer’s warnings and instructions regarding the use of their product. Place 3.5 pounds of charcoal on charcoal grate in firebox.

Step 4

Saturate charcoal with lighting fluid. With firebox lid and cooking chamber door open wait 2 to 3 minutes to allow lighting fluid to soak into charcoal. Store charcoal lighting fluid safely away from the smoker.

Step 5

Open the firebox air shutter approximately 1" to 2" and smokestack damper half way. With firebox lid and cooking chamber door open, stand back and carefully light charcoal and allow to burn until covered with a light ash (approximately 20 minutes).

⚠ WARNING: Charcoal lighting fluid must be allowed to completely burn off prior to closing firebox lid and cooking chamber door (approximately 20 minutes). Failure to do this could trap fumes from charcoal lighting fluid in smoker and may result in a flash-fire or explosion when lid or door is opened.

NOTE: To extend the life of your grill, make sure that hot coals and wood do not touch the walls of smoker.

IF USING LIGHTER FLUID, PROCEED TO STEP 7

If using pre-treated charcoal, follow all manufacturer's warnings and instructions regarding the use of their product. Start with 3.5 pounds of charcoal in firebox. Open the firebox air shutter approximately 1" to 2" and smokestack damper halfway.

Step 6

With firebox lid and cooking chamber door open, stand back and carefully light charcoal and allow to burn until covered with a light ash (approximately 20 minutes). When charcoal is burning strong, carefully place hot coals in center of charcoal grates.

Step 7

With coals burning well, carefully add wood chunks using long cooking tongs (see "Flavoring Wood" and "Adding Charcoal/Wood During Cooking" sections of this manual.)

Step 8

Place food on cooking grills in cooking chamber and close lid and door.

Step 9

The ideal smoking temperature is between 175°F and 250°F. For large cuts of meat, allow approximately one hour of cooking time per pound of meat. **Always use a meat thermometer to ensure food is fully cooked before removing from grill.**

Step 10

Allow grill to cool completely, then follow instructions in the "After-Use Safety" and "Proper Care & Maintenance" sections of this manual.

During the smoking process, avoid the temptation to open lid to check food. Opening the lid allows heat and smoke to escape, making additional cooking time necessary.

Food closest to the firebox will cook and brown faster. Rotate food midway through the cooking cycle. If food is excessively browned or flavored with smoke, wrap food in aluminum foil after the first few hours of smoking. This will allow food to continue cooking without further browning or smoke flavoring.

When cooking fish or extra lean cuts of meat, you may want to try water smoking to keep the food moist. Fill water pan in cooking chamber with water or marinade until 2/3 full.

⚠ CAUTION: Always use oven mitts/gloves to protect your hands. Liquid in water pan will be extremely hot and can scald or burn. Always allow liquid to cool completely before handling. Do not allow liquid to completely evaporate from water pan.

- **Always use a meat thermometer to ensure food is fully cooked before removing from smoker.** A meat thermometer may be ordered directly from Brinkmann by calling 1-800-468-5252.

Smoke Cooking Tips

Grilling In Firebox

Step 1

Remove cooking grills from firebox and set aside. Place charcoal grate in bottom of firebox.

Step 2

Follow the instructions below carefully to build a fire. You may use charcoal and/or wood as fuel in the Trailmaster (see “Adding Charcoal/Wood During Cooking” section of this manual).

NOTE: We recommend using charcoal that has been pre-treated with lighter fluid or a charcoal chimney starter.

⚠ WARNING: DO NOT store lighter fluid or other flammable liquids, material or charcoal that has been pre-treated with lighter fluid under or around the grill.

If using a Charcoal Chimney Starter, follow all manufacturer’s warnings and instructions regarding the use of their product. Start with 3.5 pounds of hot coals on charcoal grate.

Step 3

With firebox lid and cooking chamber door open, stand back and carefully light charcoal and allow to burn until covered with a light ash (approximately 20 minutes). When charcoal is burning strong, carefully place hot coals in center of firebox charcoal grate.

NOTE: To extend the life of your grill, make sure that hot coals and wood do not touch the walls of firebox.

IF USING CHARCOAL CHIMNEY STARTER, PROCEED TO STEP 8

If you choose to use charcoal lighting fluid, ONLY use charcoal lighting fluid approved for lighting charcoal. Do not use gasoline, kerosene, alcohol or other flammable material for lighting charcoal. Follow all manufacturer’s warnings and instructions regarding the use of their product. Start with 3.5 pounds of charcoal. Place the charcoal in center of cooking chamber charcoal grate.

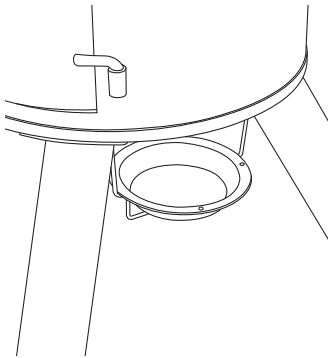
Step 4

Saturate charcoal with lighting fluid. With firebox lid and cooking chamber door open wait 2 to 3 minutes to allow lighting fluid to soak into charcoal. Store charcoal lighting fluid safely away from the grill.

Step 5

Open the firebox air shutter approximately 1” to 2” and smokestack damper half way. With firebox lid and cooking chamber door open, stand back and carefully light charcoal and allow to burn until covered with a light ash (approximately 20 minutes).

⚠ WARNING: Charcoal lighting fluid must be allowed to completely burn off prior to closing firebox lid and cooking chamber door (approximately 20 minutes). Failure to do this could trap fumes from charcoal lighting fluid in grill and may result in a flash-fire or explosion when lid is opened.



IF USING LIGHTER FLUID, PROCEED TO STEP 8

If using pre-treated charcoal, follow all manufacturer's warnings and instructions regarding the use of their product. Start with 3.5 pounds of charcoal in firebox. Open the firebox air shutter approximately 1" to 2" and smokestack damper halfway.

Step 7

With firebox lid and cooking chamber door open, stand back and carefully light charcoal and allow to burn until covered with a light ash (approximately 20 minutes). When charcoal is burning strong, carefully place hot coals in center of charcoal grate.

Step 8

Wearing oven mitts/gloves, place the cooking grills on support frame of firebox.

⚠ WARNING: Always wear oven mitts/gloves when placing cooking grill to protect your hands from burns.

Step 9

Place food on cooking grills and close firebox lid and cooking chamber door.

Always use a meat thermometer to ensure food is fully cooked before removing from grill.

Step 10

Allow grill to cool completely, then follow instructions in the "After-Use Safety" and "Proper Care & Maintenance" sections of this manual.

To obtain your favorite smoke flavor, experiment by using chunks, sticks or chips of flavor producing wood such as hickory, pecan, apple, cherry, or mesquite. Most fruit or nut tree wood may be used for smoke flavoring. Do not use resinous wood such as pine as it will produce an unpleasant taste.

Wood chunks or sticks 3" to 4" long and 1" to 2" thick work best. Unless the wood is still green, soak the wood in water for 30 minutes or wrap each piece in foil and tear several small holes in the foil to produce more smoke and prevent the wood from burning too quickly. A lot of wood is not required to obtain a good smoke flavor. A recommended amount for the Trailmaster is 5 to 6 wood chunks or sticks. Experiment by using more wood for stronger smoke flavor or less wood for milder smoke flavor.

Additional flavoring wood should not have to be added during the cooking process. However, it may be necessary when cooking very large pieces of food. Follow instructions and cautions in the "Adding Charcoal/Wood During Cooking" section of this manual to avoid injury while adding wood.

To increase heat and air circulation, fully open firebox air shutter and smokestack damper. If increased air circulation does not raise temperature sufficiently, more wood and/or charcoal may be needed. Follow instructions in "Adding Charcoal/Wood During Cooking" section of this manual.

To maintain the temperature, more wood and/or charcoal may need to be added during the cooking cycle.

NOTE: Dry wood burns hotter than charcoal, so you may want to increase the ratio of wood to charcoal to increase the cooking temperature. Hardwood such as oak, hickory, mesquite, fruit and nut wood are an excellent fuel because of their burning rate. When using wood as fuel, make sure the wood is seasoned and dry. **DO NOT** use resinous wood such as pine as it will produce an unpleasant taste.

Flavoring Wood



Regulating Heat

Adding Charcoal/Wood During Cooking

Additional charcoal and/or wood may be required to maintain or increase cooking temperature.

ADDING CHARCOAL/WOOD IN FIREBOX

Step 1

Stand back and carefully open firebox lid. Use caution since flames can flare-up when fresh air suddenly comes in contact with fire.

Step 2

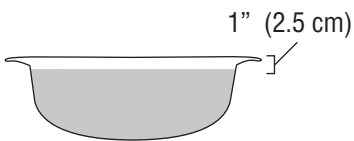
Wearing oven mitts/gloves, stand back a safe distance and use long cooking tongs to lightly brush aside ashes on hot coals. Use cooking tongs to add charcoal and/or wood, being careful not to stir-up ashes and sparks. If necessary, use your Charcoal Chimney Starter to light additional charcoal and/or wood and add to existing fire.

⚠ WARNING: Never add charcoal lighting fluid to hot or even warm coals as flashback may occur causing severe burns.

Step 3

When charcoal is burning strong again, close the firebox lid.

Adding Water During Cooking



Check the water level in water pan if the complete cooking process takes longer than 2-3 hours. A low water level can be detected by listening for the sound of water sizzling. Water can be added to the water pan through the back door. Use caution and follow instructions carefully.

ADDING WATER THROUGH THE BACK DOOR

1. Stand back and carefully open back door. Use caution since flames can flare up when fresh air suddenly comes in contact with fire. Inspect the water level in pan.
2. If water level is low, add water to water pan. Stand back and carefully add water using a funnel or a container with a spout. Fill water pan to 1" (2.5 cm) below the rim. Pour slowly to avoid splashing or over-filling.
3. Close back door and allow food to continue cooking.

AFTER-USE SAFETY

⚠ WARNING

- **Always allow smoker and all components to cool completely before handling.**
- **Never leave coals and ashes in smoker unattended. Make sure coals and ashes are completely extinguished before removing.**
- **Before smoker can be left unattended, remaining coals and ashes must be removed from smoker. Use caution to protect yourself and property. Place remaining coals and ashes in a noncombustible metal container and completely saturate with water. Allow coals and water to remain in metal container 24 hours prior to disposing.**
- **Extinguished coals and ashes should be placed a safe distance from all structures and combustible materials.**
- **With a garden hose, completely wet surface beneath and around the smoker to extinguish any ashes, coals or embers which may have fallen during the cooking or cleaning process.**
- **Allow metal bucket or tin can and its contents to cool completely before removing. Dispose of contents properly.**
- **Cover and store smoker in a protected area away from children and pets.**

- Cure your smoker periodically throughout the year to protect against excessive rust.
- To protect your smoker from excessive rust, the unit must be properly cured and covered at all times when not in use. A Trailmaster cover may be ordered directly from Brinkmann by calling 800-468-5252.
- Wash cooking grills and charcoal grates with hot, soapy water, rinse well and dry. Lightly coat grills and grates with vegetable oil or vegetable oil spray.
- Clean inside and outside of smoker by wiping off with a damp cloth. Apply a light coat of vegetable oil or vegetable oil spray to the interior surface to prevent rusting.
- If rust appears on the exterior surface of your smoker, clean and buff the affected area with steel wool or fine grit emery cloth. Touch-up with a good quality high-temperature resistant paint.
- Never apply paint to the interior surface. Rust spots on the interior surface can be buffed, cleaned, then lightly coated with vegetable oil or vegetable oil spray to minimize rusting.

Proper Care & Maintenance

IMPORTANTES ADVERTENCIAS DE SEGURIDAD

ES NUESTRO DESEO QUE ARME Y UTILICE SU PARRILLA EN LA FORMA MÁS SEGURA POSIBLE.

EL PROPÓSITO DE ESTE SÍMBOLO DE ALERTA DE SEGURIDAD 

ES QUE USTED PRESTE ATENCIÓN A LOS POSIBLES PELIGROS CUANDO ARME Y UTILICE SU PARRILLA.

¡CUANDO VEA ESTE SÍMBOLO DE ALERTA DE SEGURIDAD, PRESTE ESPECIAL ATENCIÓN A LA INFORMACIÓN A CONTINUACIÓN!

 **LEA DETENIDAMENTE TODAS LAS ADVERTENCIAS DE SEGURIDAD E INSTRUCCIONES ANTES DE ARMAR Y USAR LA PARRILLA.**

ADVERTENCIA

- Sólo use esta parrilla sobre una superficie dura, nivelada, estable y no combustible (de concreto, piso, etc.) capaz de soportar el peso de la parrilla. Nunca la use sobre una superficie de madera u otras superficies que pueden arder.
- Debe mantenerse un espacio apropiado de 10 pies entre la parrilla y las construcciones o materiales combustibles (arbustos, árboles, plataformas de madera, cercas, edificios, etc.) todo el tiempo mientras se esté usando la parrilla. No sitúe la parrilla debajo de un alero u otra área cerrada.
- Para uso exterior únicamente. No opere la parrilla en áreas interiores o cerradas.
- Para uso doméstico únicamente. No use esta parrilla para ningún propósito que no sea el previsto.
- Recomendamos que utilice un Encendedor para Chimenea a Carbón para evitar los peligros asociados con el fluido de encendido de carbón. Si decide usar fluido de encendido, sólo use fluido aprobado para encender carbón. Lea cuidadosamente las advertencias e instrucciones del fabricante sobre el fluido de encendido y el carbón antes de usar el producto. Guarde el fluido de encendido de carbón lejos de la parrilla.
- Cuando use fluido de encendido de carbón, deje que el carbón arda con la tapa y puertas de la parrilla abiertas hasta que esté cubierto con una ceniza ligera (aproximadamente 20 minutos). Esto permitirá que el fluido de encendido se consuma. De lo contrario, se pueden atrapar vapores del fluido en la parrilla y causar un incendio repentino o explosión al abrir la tapa.
- No use gasolina, queroseno o alcohol para encender el carbón. El uso de cualquiera de estos productos o productos similares puede causar una explosión y causar graves lesiones personales.
- Nunca añada fluido de encendido de carbón a las brasas calientes o tibias ya que puede producirse un retroceso de la llama y causar quemaduras graves.
- Coloque la parrilla en un área fuera del alcance de los niños o animales domésticos. Se necesita supervisión rigurosa cuando la parrilla está en uso.
- No deje la parrilla desatendida cuando esté en uso.
- Cuando agregue carbón y/o leña, sea extremadamente precavido y siga las instrucciones en la sección “Cómo agregar carbón/leña mientras cocina” de este manual.
- No guarde ni use la parrilla cerca de gasolina u otros líquidos o gases inflamables ni donde pudiera haber vapores inflamables presentes.
- No guarde el fluido de encendido u otros líquidos o materiales inflamables debajo de la parrilla.

La parrilla está caliente cuando está en uso. Para evitar las quemaduras:

- NO trate de mover la parrilla.
- Apoye la parrilla para que no se mueva accidentalmente.
- Use guantes protectores o guantes para el horno.
- NO toque ninguna superficie caliente de la parrilla.
- NO use ropa suelta ni permita que el cabello haga contacto con la parrilla.

⚠ ADVERTENCIA

- Verifique el nivel de grasa en la copa con frecuencia y vacíela o cámbiela cuando esté 3/4 llena. Tenga mucho cuidado ya que el ahumador, la copa y su contenido estarán calientes.
- Cuando cocine en la parrilla, la grasa de la carne puede gotear sobre el carbón y producir una llamarada. Si esto sucede, cierre la tapa para sofocar la llama. No use agua para apagar incendios causados por grasa.
- Sea precavido ya que pueden producirse llamaradas cuando el aire fresco hace contacto repentino con las llamas. Cuando abra la tapa, mantenga las manos, la cara y el cuerpo a una distancia segura del vapor caliente y las llamaradas.
- No exceda los 400 °F de temperatura. No permita que el carbón y/o la leña hagan contacto con las paredes de la fogón. Si hacen contacto, se reducirá enormemente la vida útil del metal y el acabado de la parrilla.
- Sea precavido cuando arme y haga funcionar la parrilla para evitar raspase o cortarse con los bordes afilados de las partes de metal. Tenga cuidado cuando alcance dentro o debajo de la parrilla.
- Cuando abra la tapa, asegúrese de abrirla por completo. Si la tapa no está completamente abierta, puede caerse a la posición cerrada y producir lesiones.
- Si hay viento, sitúe la parrilla en un área exterior protegida del viento.
- Cierre la tapa, las puerta y la chimenea para apagar la llama.
- Nunca deje las brasas y cenizas en la parrilla desatendida. Se deben remover las brasas y cenizas restantes de la parrilla antes de dejarla desatendida. Sea precavido para protegerse usted y su propiedad. Coloque cuidadosamente el resto de las brasas y cenizas en un recipiente de metal no combustible y satúrelas por completo con agua. Deje las brasas y el agua en el recipiente metálico 24 horas antes de desecharlos.
- Las brasas y cenizas apagadas deben situarse a una distancia segura de todas las estructuras y materiales combustibles.
- Con una manguera común para el jardín, moje la superficie debajo y alrededor de la parrilla para apagar las cenizas, carbón o brasas que se hayan caído mientras cocinaba o durante el proceso de limpieza.
- Limpie bien la parrilla después de cada uso y aplique una capa ligera de aceite vegetal al interior para evitar la oxidación. Cubra la parrilla para protegerla contra la oxidación excesiva.
- Sea precavido cuando levante o mueva la parrilla para evitar las esguinces y lesiones a la espalda.
- Recomendamos que tenga a mano un extinguidor de incendios. Consulte con la autoridad local para determinar el tamaño y tipo correctos.
- No se recomienda usar accesorios no fabricados por The Brinkmann Corporation para este producto en particular ya que pueden causar lesiones personales o daños materiales.
- Guarde la parrilla fuera del alcance de los niños y en un lugar seco cuando no esté en uso.
- No intente dar servicio a la parrilla excepto por el mantenimiento normal explicado en las secciones de “Seguridad posterior al uso” y “Cuidado y mantenimiento apropiados” de este manual.
- Quite la Etiquetas y etiquetas engomadas Antes del Primer Uso.
- Deseche todos los materiales de empaque en la forma debida.

SEA PRECAVIDO Y UTILICE SENTIDO COMÚN CUANDO OPERE LA PARRILLA.

HACER CASO OMISO A LAS ADVERTENCIAS DE SEGURIDAD E INSTRUCCIONES EN ESTE MANUAL PUEDE PRODUCIR GRAVES LESIONES PERSONALES O DAÑOS MATERIALES.

GUARDE ESTE MANUAL PARA REFERENCIA FUTURA.

INSTRUCCIONES DE ARMADO

⚠ LEA DETENIDAMENTE TODAS LAS ADVERTENCIAS DE SEGURIDAD E INSTRUCCIONES ANTES DE ARMAR Y USAR LA PARRILLA.

SI FALTAN PARTES, LLAME A SERVICIO AL CLIENTE AL 800-527-0717.
Inspeccione el contenido de la caja para verificar que todas las partes estén incluidas e intactas.

Recomendamos que esta unidad sea armada por dos personas.
Se necesitan las siguientes herramientas para armar el Trailmaster:

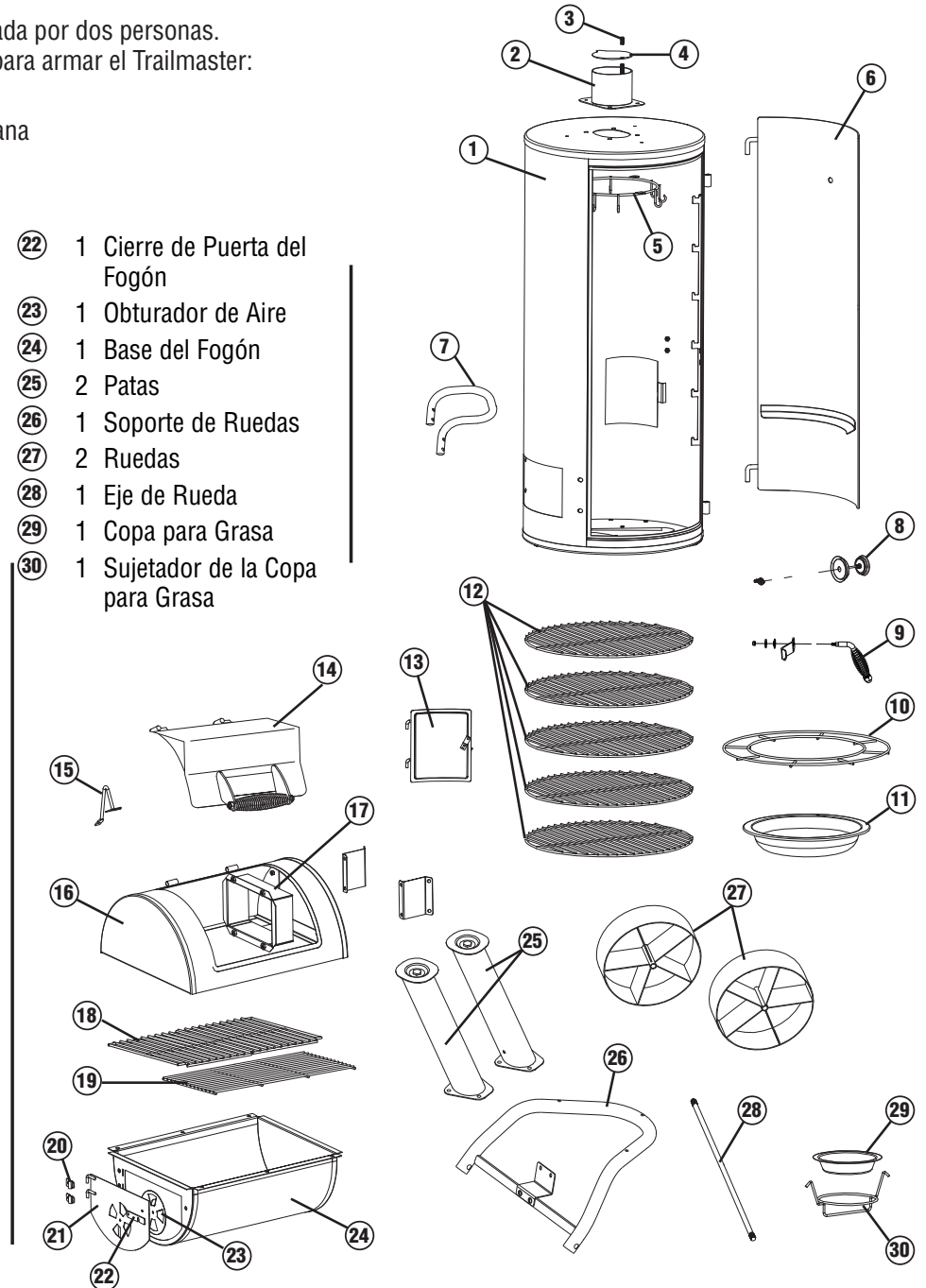
- Alicates
- Destornilladores Phillips y de punta plana
- Llave ajustable

LISTA DE PARTES -

Grosos Calibre Trailmaster Vertical:

- ① 1 Cámara de Ahumado
- ② 1 Chimenea
- ③ 1 Compuerta de Resorte de Chimenea
- ④ 1 Compuerta de la Chimenea
- ⑤ 1 Estante de Ganchos
- ⑥ 1 Puerta del Ahumador
- ⑦ 1 Mango del ahumador
- ⑧ 1 Calibrador de la Temperatura
- ⑨ 1 Pestillo de la Puerta
- ⑩ 1 Soporte de la Bandeja de Agua
- ⑪ 1 Bandeja de Agua
- ⑫ 5 Rejillas para Cocinar del Ahumador
- ⑬ 1 Puerta de Acceso para Agua
- ⑭ 1 Tapa del Fogón
- ⑮ 1 Tope para la Tapa del Fogón
- ⑯ 1 Parte Superior del Fogón
- ⑰ 1 Divisor del Fogón
- ⑱ 2 Rejillas para Cocinar del Fogón
- ⑲ 1 Rejilla para Carbón del Fogón
- ⑳ 2 Bisagras del Fogón
- ㉑ 1 Puerta del Fogón

- ㉒ 1 Cierre de Puerta del Fogón
- ㉓ 1 Obturador de Aire
- ㉔ 1 Base del Fogón
- ㉕ 2 Patas
- ㉖ 1 Soporte de Ruedas
- ㉗ 2 Ruedas
- ㉘ 1 Eje de Rueda
- ㉙ 1 Copa para Grasa
- ㉚ 1 Sujetador de la Copa para Grasa



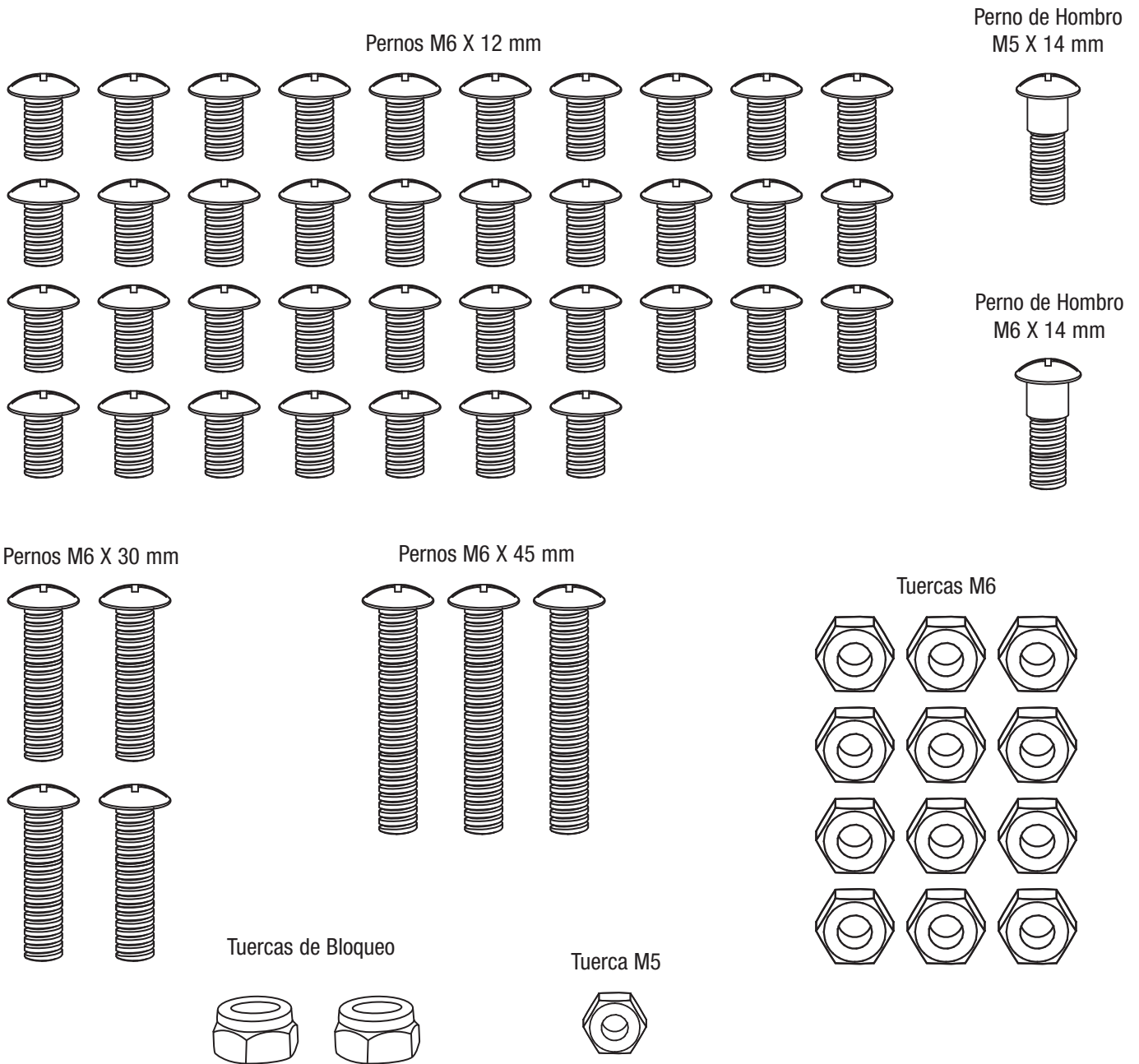
CALIFORNIA PROPOSICIÓN 65 ADVERTENCIA

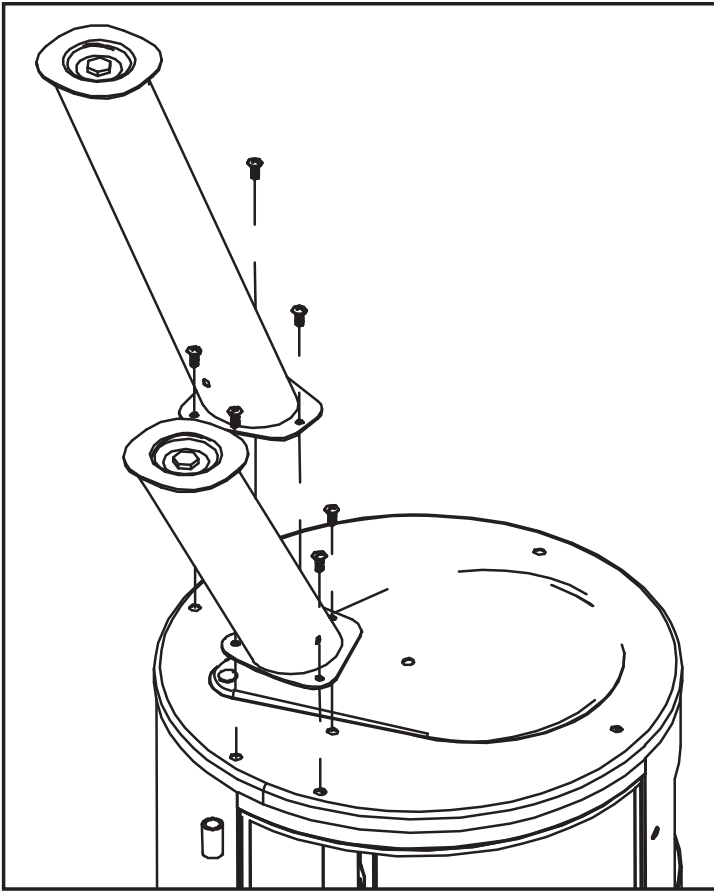
Este producto contiene químicos, incluyendo el plomo en el estaño en ciertas partes de sus componentes, conocido en el estado de California porque producen cáncer y defectos de nacimiento u otros daños reproductivos. *Lávese las manos después de manejarlo.* Cuando se usa, este producto emite químicos de combustión de combustible que son conocidos en el estado de California porque producen cáncer y defectos de nacimiento u otros daños reproductivos. *Siga todas las instrucciones en este manual y úselo solamente en un área bien ventilada en exteriores.*

Contenido de la bolsa de partes

- 37 Pernos M6 X 12 mm
- 4 Pernos M6 X 30 mm
- 3 Pernos M6 X 45 mm
- 1 Perno de Hombro M5 X 14 mm

- 1 Perno de Hombro M6 X 14 mm
- 1 Tuerca M5
- 12 Tuercas M6
- 2 Tuercas de Bloqueo





Elija un lugar adecuado y despejado para armar la parrilla y pídale a un amigo que le ayude. Tienda cartón sobre el suelo para proteger el acabado de la parrilla y el área de armado. Coloque la parrilla de costado para comenzar el armado.

Paso 1

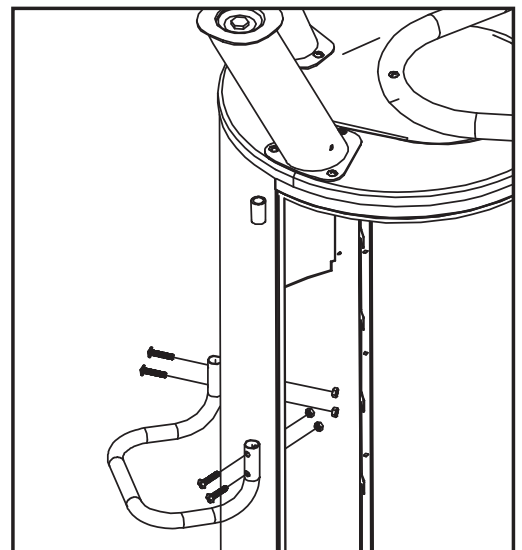
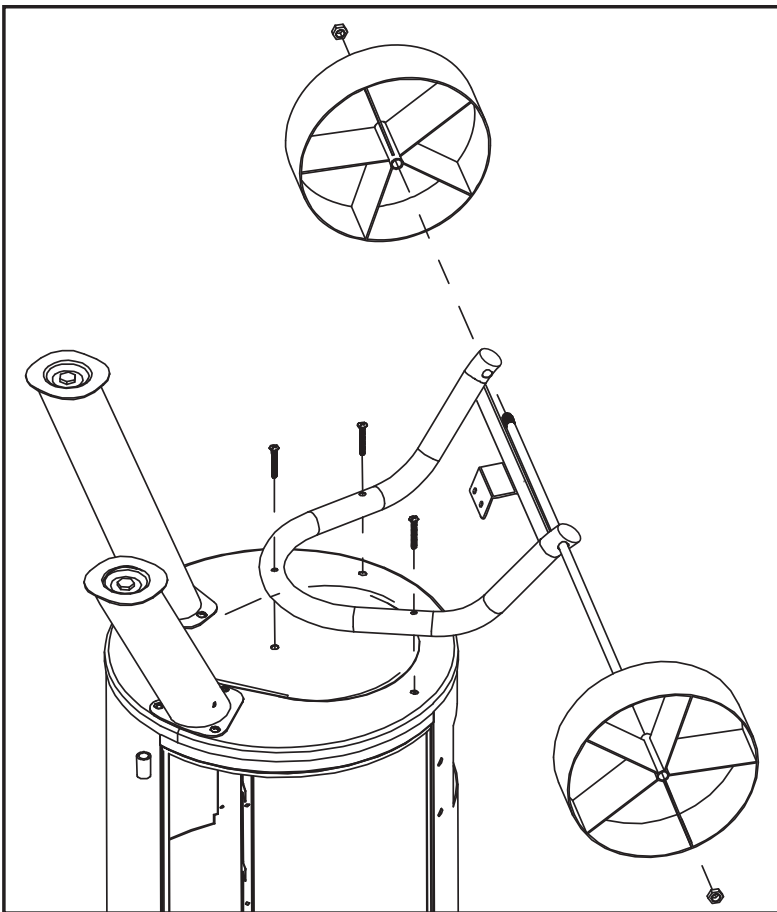
Fije las patas de la parte inferior de la cámara de ahumado usando seis pernos M6 x 12 mm.

Paso 2

Fije el soporte de ruedas con tres pernos M6 x 45 mm. Sigüente inserte el eje de la rueda a través del orificio en el soporte de ruedas. Coloque las ruedas en los extremos del eje de la rueda, y asegúrelo con dos tuercas de bloqueo.

Paso 3

Fije el mango del ahumador con cuatro pernos M6 x 30 mm y cuatro tuercas M6.



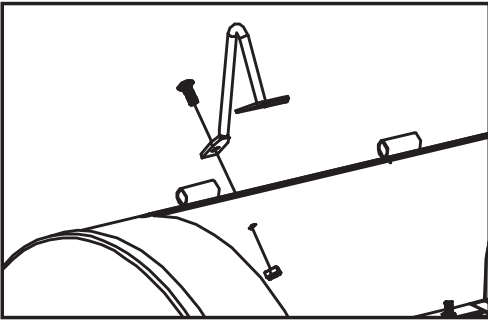
Con la ayuda de un amigo, voltee asamblea del ahumador en posición vertical y apartar para uso posterior.

Paso 4

Instale el divisor del fogón con ocho pernos M6 x 12 mm.

Paso 5

Fije el tope para la tapa del fogón con un perno M6 x 12 mm y una tuerca M6.



Paso 6

Fije el obturador de aire a la puerta del fogón usando un perno M6 x 12 mm y una tuerca M6. No apriete demasiado el obturador de aire, obturador de aire debe circular libremente.

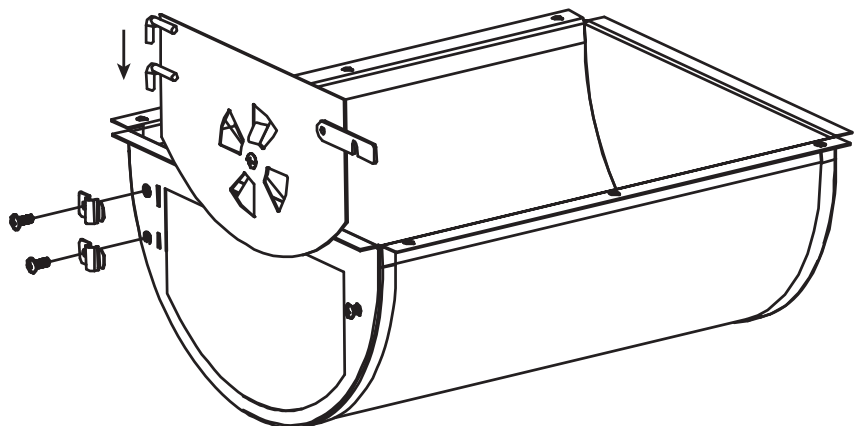
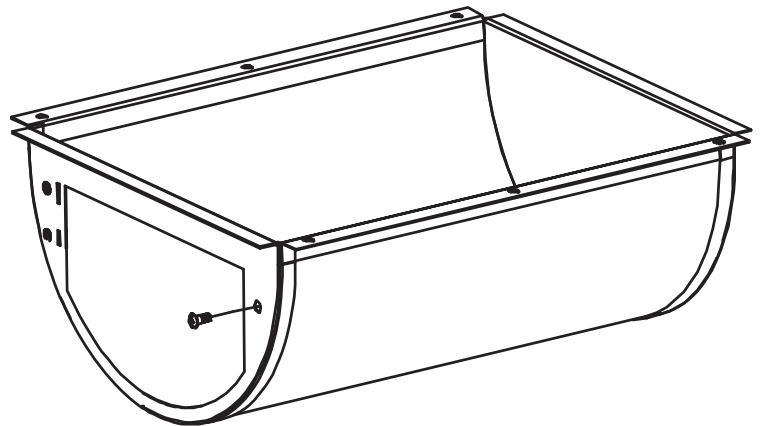
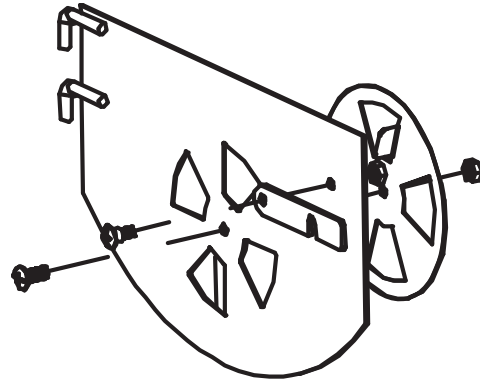
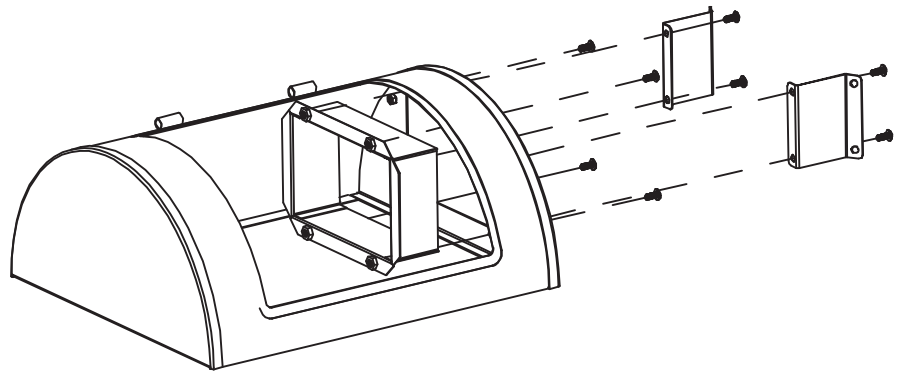
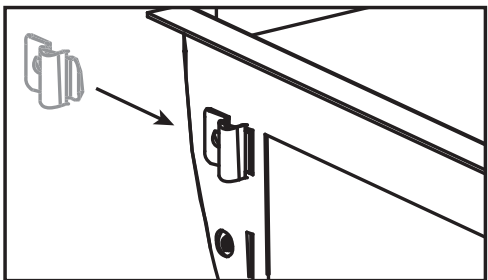
Fije reten para la puerta utilizando un perno de hombro M5 x 14 mm y una tuerca M5 como se ilustra.

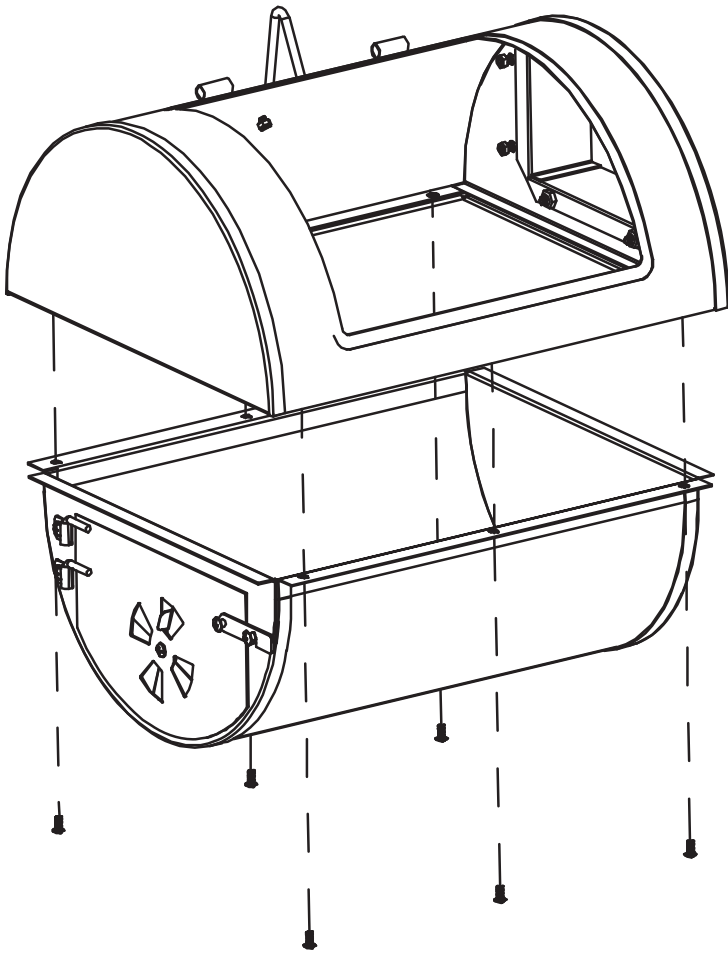
Paso 7

Inserte un perno de hombro M6 x 14 mm en el lado del fogón.

Paso 8

Fije las bisagras del fogón insertando pestañas en las ranuras (muestra abajo). Fije la puerta del fogón insertando los pernos de la bisagra en las bisagras del fogón, luego asegure la bisagras con dos pernos M6 x 12 mm. Asegure el reten de puerta con un perno de hombro M6 x 14 mm.





Paso 9

Fije la parte superior del fogón a la base del fogón usando seis pernos M6 x 12 mm.

Paso 10

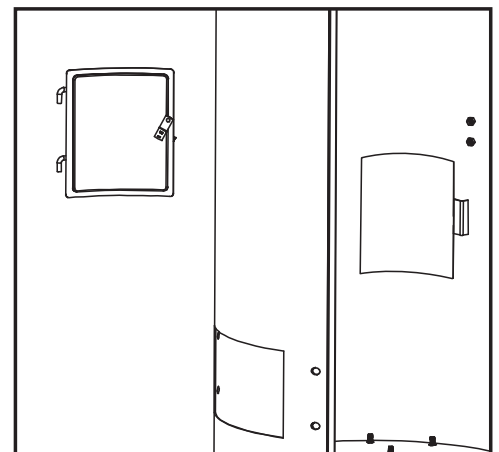
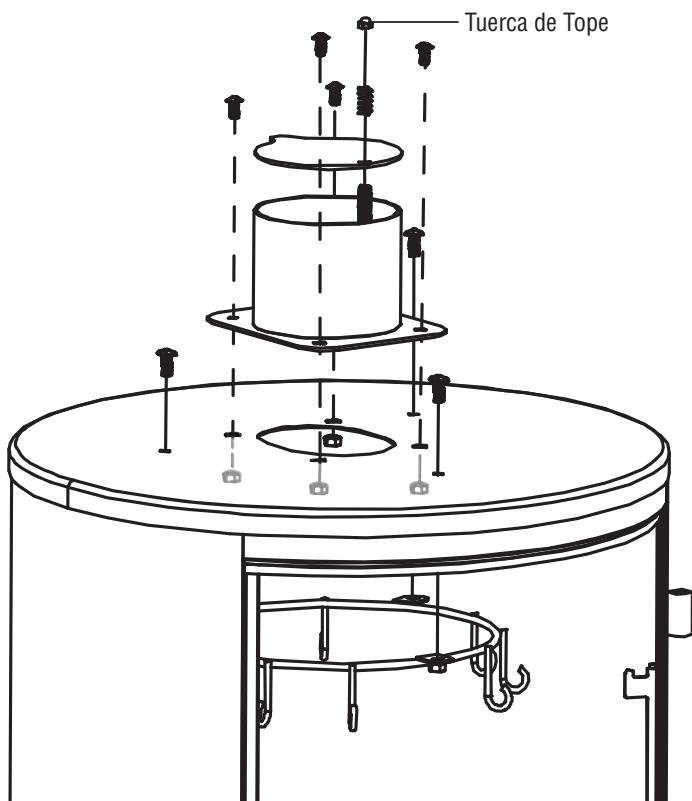
Fije la chimenea a la cámara de ahumado usando cuatro pernos M6 x 12 mm y cuatro tuercas M6. Luego fije la compuerta de la chimenea usando el resorte y una tuerca de tope.

Paso 11

Instale el estante de ganchos usando tres pernos M6 x 12 mm.

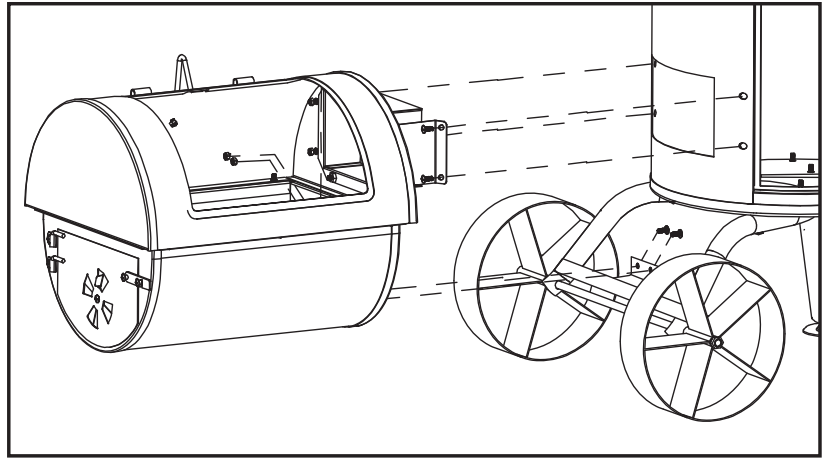
Paso 12

Fije la puerta de acceso para agua a la parte trasera de la cámara de ahumado.



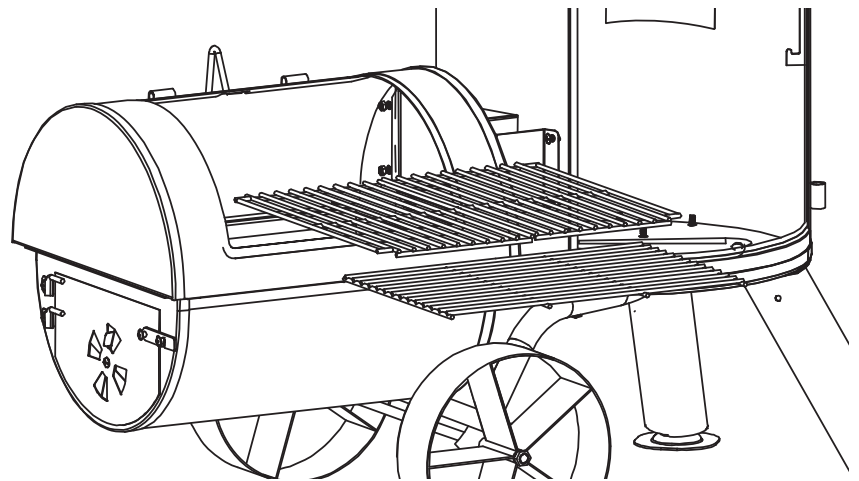
Paso 13

Fije el fogón a la assembly del ahumador usando seis pernos M6 x 12 mm y dos tuercas M6 como se muestra.



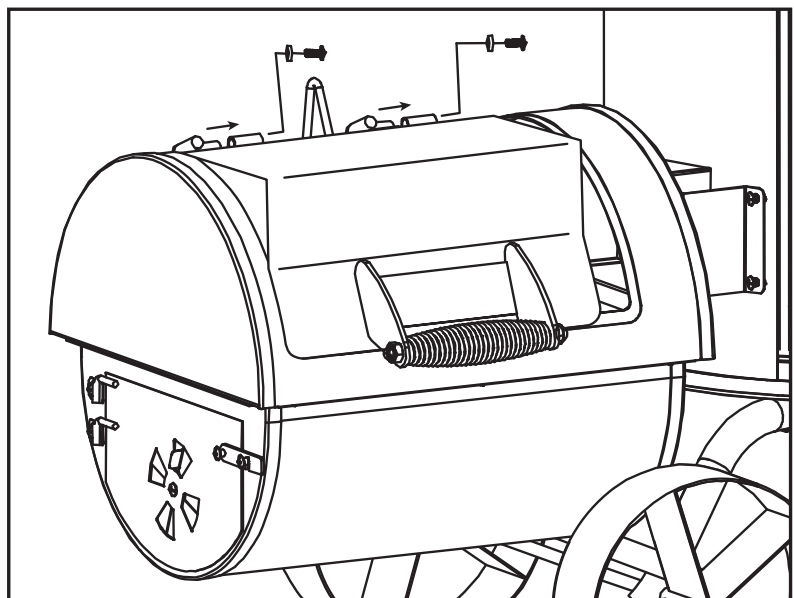
Paso 14

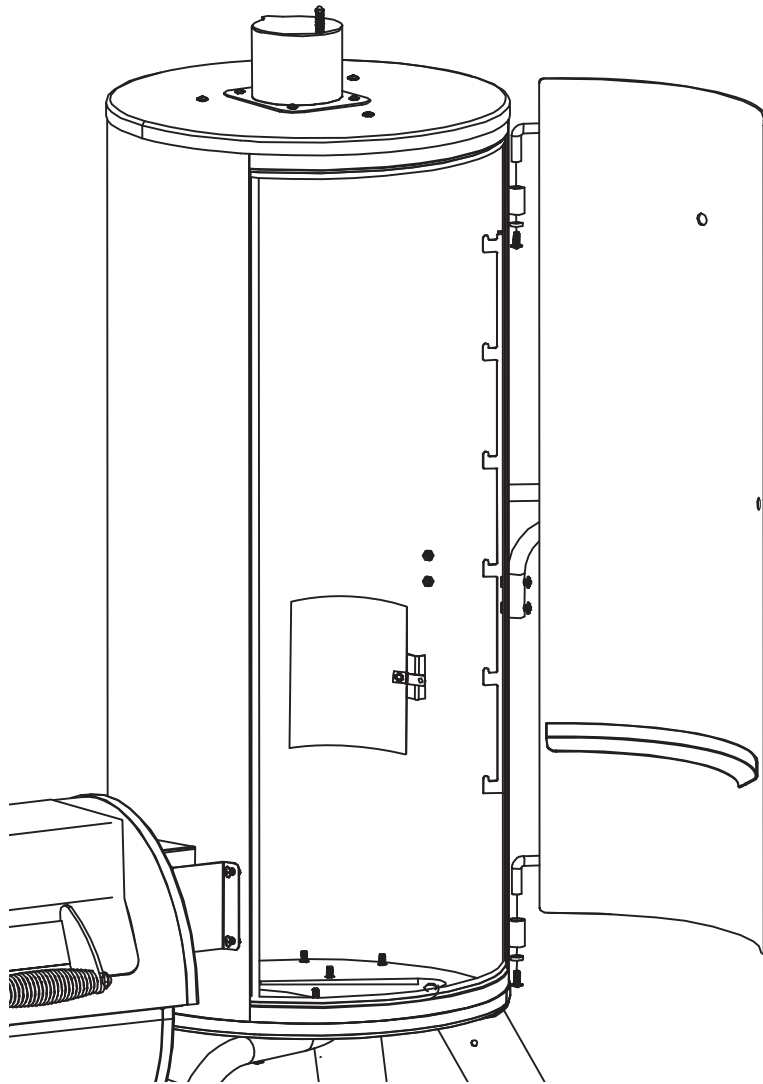
Coloque las parrillas para cocinar y la rejilla para carbón en fogón.



Paso 15

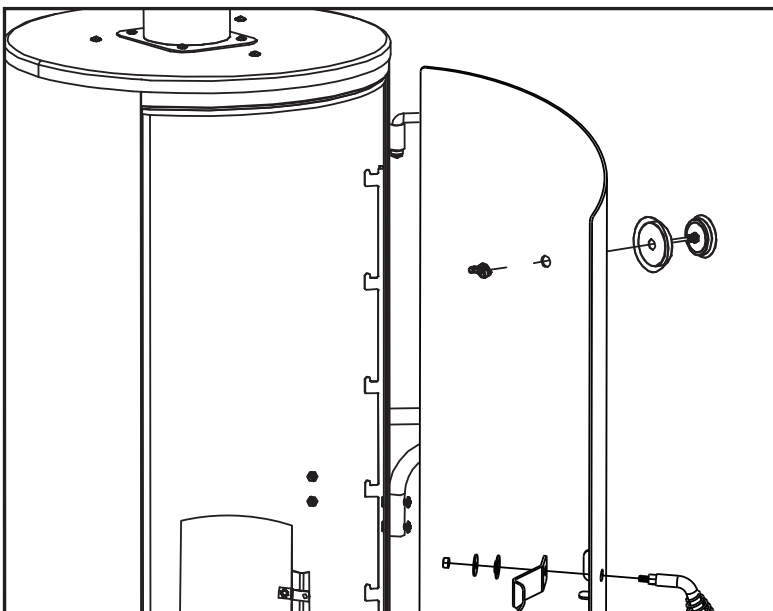
Fije la tapa del fogón a la parte superior del fogón deslizando pasadores de bisagra en las bisagras. Fije con dos pernos M6 x 12 mm y arandelas de bisagra.





Paso 16

Fije la puerta del ahumador deslizando pasadores de bisagra en las bisagras. Asegure con dos pernos M6 x 12 mm y arandelas de bisagra.

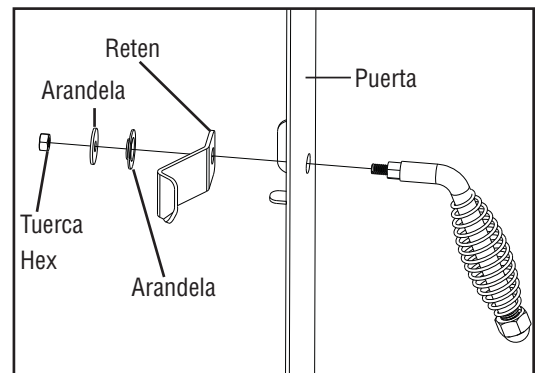


Paso 17

Fije indicador de temperatura a través del agujero en la puerta como se muestra. Asegure con tuerca de ala.

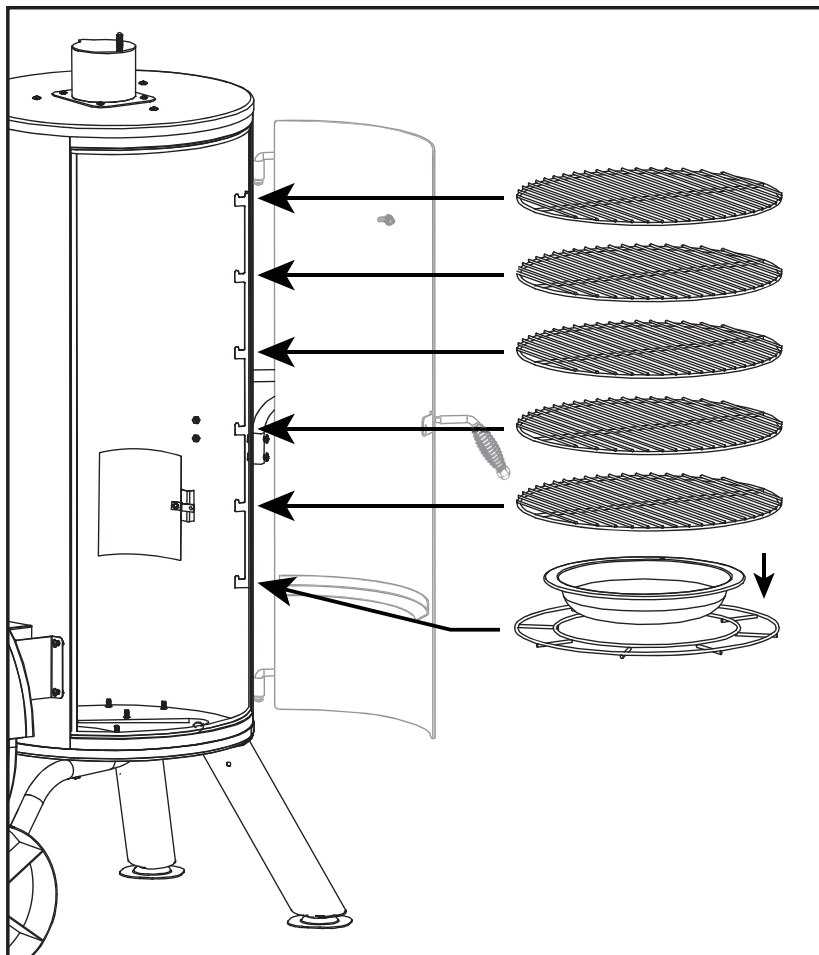
Paso 18

Inserte manija de la puerta a través de el agujero en la puerta, con mango apuntado a la izquierda. Coloque el cierre de puerta en el mango apuntando hacia arriba y asegure con dos arandelas y una tuerca hexagonal.



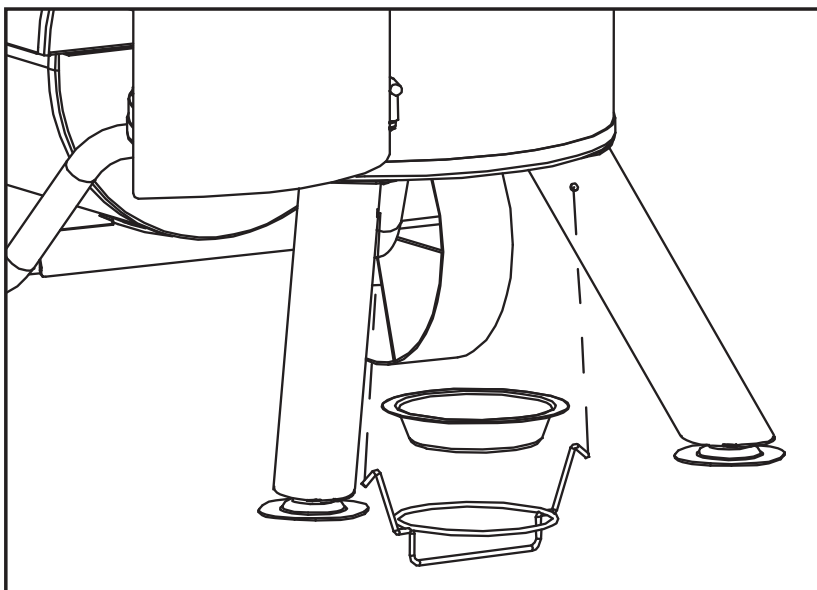
Paso 19

Coloque la rejillas para cocinar, el soporte de la bandeja para agua, bandeja de agua, dentro de la asamblea del ahumador en los soportes correspondientes

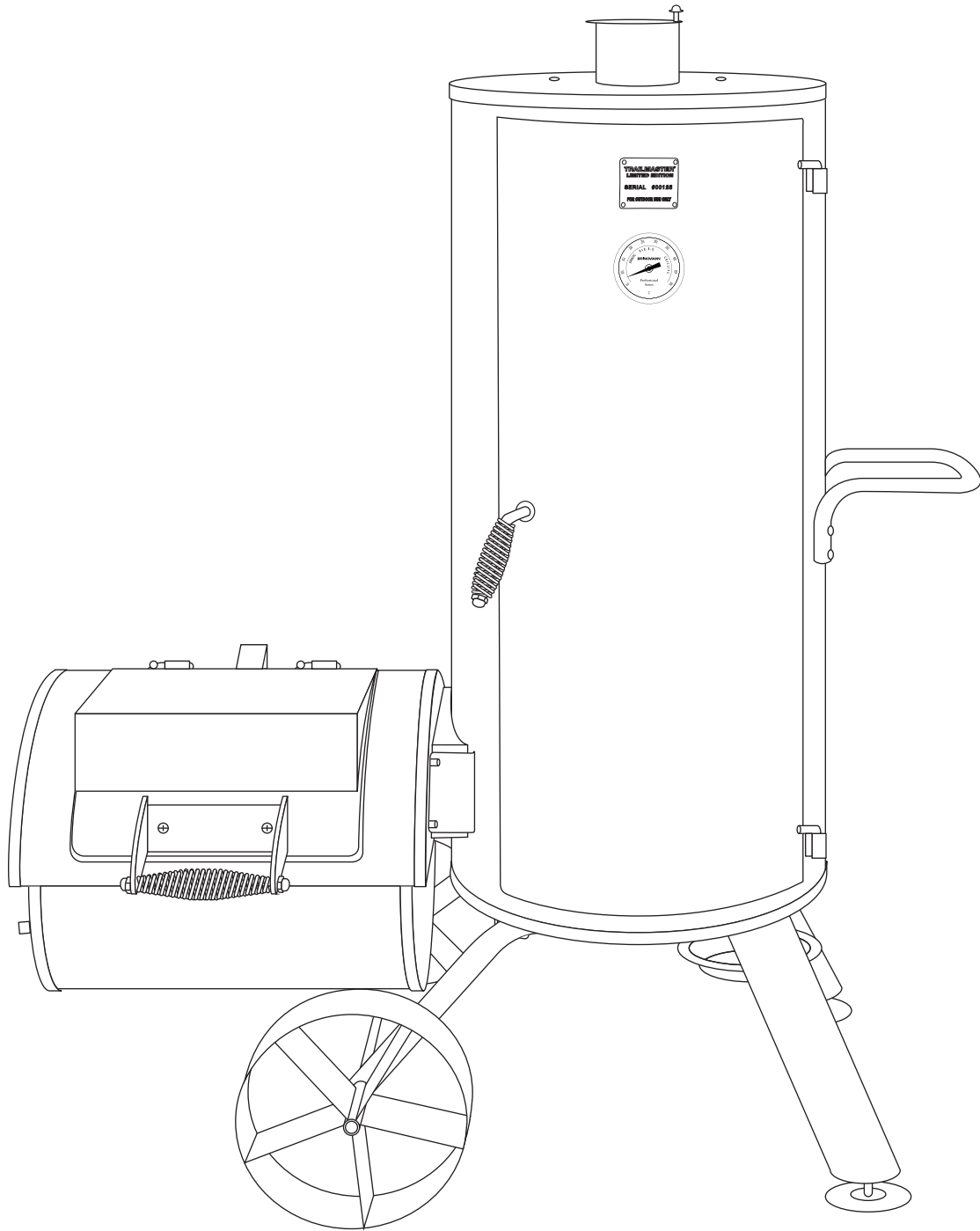


Paso 20

Coloque la copa para la grasa en el sujetador de copa para la grasa. Inserte puntas de soporte de la copa para grasa en los agujeros de las patas de la asamblea del ahumador.



Grueso Calibre Trailmaster Vertical
(Montado)

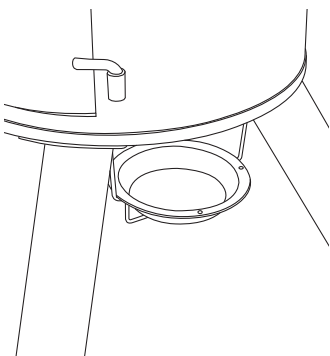


PREPARACIÓN PARA EL USO Y INSTRUCCIONES DE ENCENDIDO

⚠ COLOQUE LA PARRILLA AL AIRE LIBRE SOBRE UNA SUPERFICIE DURA, NIVELADA Y NO COMBUSTIBLE, LEJOS DE UN ALERO O DE CUALQUIER MATERIAL COMBUSTIBLE. NUNCA LA USE SOBRE UNA SUPERFICIE DE MADERA U OTRAS SUPERFICIES QUE PUEDEN ARDER. SITÚE LA PARRILLA LEJOS DE LAS VENTANAS O PUERTAS ABIERTAS PARA EVITAR QUE ENTRE HUMO A LA CASA. SI HAY VIENTO, SITÚE LA PARRILLA EN UN ÁREA EXTERIOR PROTEGIDA DEL VIENTO.

⚠ LEA CUIDADOSAMENTE TODAS LAS ADVERTENCIAS DE SEGURIDAD E INSTRUCCIONES ANTES DE USAR LA PARRILLA.

Curado de la Parrilla



Antes de usar el Ahumador Brinkmann Trailmaster, siga las instrucciones a continuación para curarla. El curado de la parrilla reducirá al mínimo los daños al acabado exterior y eliminará el olor a pintura que puede afectar el sabor de la primera comida preparada en el Ahumador Brinkmann Trailmaster.

IMPORTANTE: Para proteger su parrilla contra la oxidación excesiva, la unidad debe curarse correctamente y mantenerse cubierta todo el tiempo cuando no la esté usando. Se puede ordenar una cubierta para el Ahumador Trailmaster directamente de Brinkmann llamando al 800-468-5252.

Paso 1

Retire las rejillas para cocinar de la cámara de cocción y fogón y dejar de lado.

Paso 2

Aplique una capa ligera de aceite vegetal líquido o en aerosol a todas las superficies interiores del ahumador, incluyendo las rejillas para cocinar. No aplique aceite a las rejillas para carbón.

Paso 3

Asegúrese que la copa para la grasa este en su lugar. La copa para la grasa debe estar en su lugar en todo momento.

Paso 4

Siga cuidadosamente las instrucciones a continuación para encender la parrilla. Puede usar carbón y/o leña como combustible en el fogón (ver la sección “Cómo agregar carbón/leña mientras cocina” de este manual).

NOTA: Recomendamos el uso de carbón que haya sido previamente tratado con líquido encendedor o un arrancador carbón chimenea.

⚠ ADVERTENCIA: NO guarde líquidos para encendedores u otros líquidos inflamables, materiales o carbón que haya sido previamente tratado con líquido encendedor debajo o alrededor de la parrilla.

Si usa un Encendedor para Chimenea a Carbón, siga todas las advertencias e instrucciones del fabricante para el uso de su producto. Comience con 3.5 libras de carbón en la caja de fuego. Esto debe ser suficiente carbón para cocinar, una vez que el proceso de curado se haya completado.

Paso 5

Con la tapa de fogón y la puerta de la cámara de cocción abiertas, apártese y encienda cuidadosamente el carbón; déjelo arder hasta que esté cubierto con una ceniza ligera (aproximadamente 20 minutos). Una vez que el carbón esté ardiendo, coloque cuidadosamente las brasas calientes en el centro de cada rejilla para carbón.

Aviso: Para evitar daño de calor a la pintura, no use más de 3,5 libras de carbón/madera en el caja de fuego. Encienda el carbón/madera con la tapa abierta y no la cierre hasta que las llamas se hayan apagado (5-10 minutos). Cuando cocine, ajuste el obturador de aire para minimizar llamas en el tambor. Cerrar el obturador de aire disminuirá las llamas y la temperatura de cocina.

NOTA: Para prolongar la vida útil de la parrilla, asegúrese de que las brasas calientes y la leña no toquen las paredes de la fogón.

SI ESTÁ USANDO UN ENCENDEDOR PARA CHIMENEA A CARBÓN, CONTINÚE CON EL PASO 9

Si usa un fluido de encendido para al encender el carbón, siga todas las advertencias e instrucciones del fabricante para el uso de su producto. Comience con 3.5 libras de carbón en el compartimiento para fogón. Esto debe ser suficiente carbón para cocinar una vez que el proceso de curado se haya completado. Abra el obturador de aire del fogón aproximadamente 1 o 2 pulg. y el regulador de tiro de la chimenea hasta la mitad.

Paso 6

Sature el carbón con fluido de encendido. Con la tapa de fogón y la puerta de la cámara de cocción abiertas, espere 2 a 3 minutos para permitir que el carbón absorba el fluido. Guarde el fluido de encendido de carbón lejos del ahumador.

Paso 7

Con la tapa de fogón y la puerta de la cámara de cocción abiertas, apártese y encienda cuidadosamente el carbón; déjelo arder hasta que esté cubierto con una ceniza ligera (aproximadamente 20 minutos).

ADVERTENCIA: Se debe permitir que el fluido de encendido se consuma por completo antes de cerrar la tapa de el ahumador (aproximadamente 20 minutos). De lo contrario, se pueden atrapar vapores del fluido en la parrilla y causar un incendio repentino o explosión al abrir las tapa o puerta.

ADVERTENCIA: Mantenga las brasas calientes alejadas del obturador de aire del fogón para evitar que se caigan.

NOTA: Para prolongar la vida útil de la parrilla, asegúrese de que las brasas calientes y la leña no toquen las paredes de la fogón.

SI USANDO FLUIDO DE ENCENDIDO, VAYA AL PASO 9

Si usa un carbón pre-tratado, siga todas las advertencias e instrucciones del fabricante para el uso de su producto. Comience con 3.5 libras de carbón en el compartimiento para fogón. Esto debe ser suficiente carbón para cocinar una vez que el proceso de curado se haya completado. Abra el obturador de aire del fogón aproximadamente 1 o 2 pulg. y el regulador de tiro de la chimenea hasta la mitad.

Paso 8

Con la tapa de fogón y la puerta de la cámara de cocción abiertas, apártese y encienda cuidadosamente el carbón; déjelo arder hasta que esté cubierto con una ceniza ligera (aproximadamente 20 minutos). Una vez que el carbón esté ardiendo, coloque cuidadosamente las brasas calientes en el centro de cada rejilla para carbón.

Paso 9

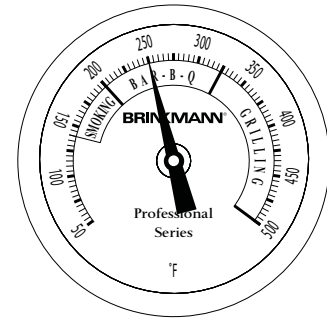
Una vez que el carbón esté ardiendo bien, cierre la tapas. Deje que la temperatura alcance 250 °F en el termómetro. Mantenga esta temperatura durante 2 horas.

Paso 10

Aumente la temperatura a aproximadamente 400 °F. Esto puede lograrse abriendo el regulador de tiro de la chimenea y añadiendo más carbón y/o leña (ver la sección "Cómo agregar carbón/leña mientras cocina" de este manual). Mantenga esta temperatura durante 1 hora, luego deje que la unidad se enfríe por completo.

NOTA: Nunca exceda una temperatura de 450 °F en la cámara de cocción. Es importante no rayar o frotar el exterior del ahumador durante el proceso de curado.

**AHORA EL AHUMADOR BRINKMANN ESTÁ CURADO
Y LISTO PARA EL USO.**

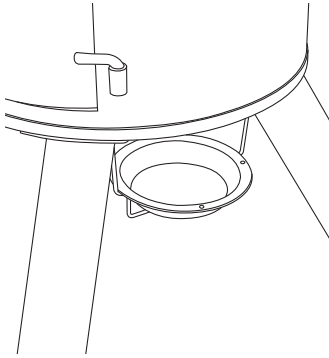


INSTRUCCIONES DE OPERACIÓN

⚠ COLOQUE LA PARRILLA AL AIRE LIBRE SOBRE UNA SUPERFICIE DURA, NIVELADA Y NO COMBUSTIBLE, LEJOS DE UN ALERO O DE CUALQUIER MATERIAL COMBUSTIBLE. NUNCA LA USE SOBRE UNA SUPERFICIE DE MADERA U OTRAS SUPERFICIES QUE PUEDEN ARDER. SITÚE LA PARRILLA LEJOS DE LAS VENTANAS O PUERTAS ABIERTAS PARA EVITAR QUE ENTRE HUMO A LA CASA. SI HAY VIENTO, SITÚE LA PARRILLA EN UN ÁREA EXTERIOR PROTEGIDA DEL VIENTO.

⚠ LEA CUIDADOSAMENTE TODAS LAS ADVERTENCIAS DE SEGURIDAD E INSTRUCCIONES ANTES DE USAR LA PARRILLA.

Cómo Ahumar



Paso 1

Coloque una rejilla para carbón en el fogón. Coloque rejillas para cocinar en la cámara de cocción, luego siga cuidadosamente las instrucciones a continuación para encender el ahumador. Puede usar carbón y/o leña como combustible en el Trailmaster (ver la sección “Cómo agregar carbón/leña mientras cocina” de este manual).

Paso 2

Coloque la copa para la grasa en el sujetador de la copa para la grasa. La copa para la grasa debe estar en su lugar en todo momento.

NOTA: Recomendamos el uso de carbón que haya sido previamente tratado con líquido encendedor o un encendedor para chimenea a carbón.

⚠ ADVERTENCIA: NO guarde líquidos para encendedores u otros líquidos inflamables, materiales o carbón que haya sido previamente tratado con líquido encendedor debajo o alrededor de la parrilla.

Si usa un Encendedor para Chimenea a Carbón, siga todas las advertencias e instrucciones del fabricante para el uso de su producto. Comience con 3.5 libras de carbón caliente en la rejilla de carbón.

Aviso: Para evitar daño de calor a la pintura, no use más de 3,5 libras de carbón/madera en el caja de fuego. Encienda el carbón/madera con la tapa abierta y no la cierre hasta que las llamas se hayan apagado (5-10 minutos). Cuando cocine, ajuste el obturador de aire para minimizar llamas en el tambor. Cerrar el obturador de aire disminuirá las llamas y la temperatura de cocina.

Paso 3

Con la tapa de fogón y la puerta de la cámara de cocción abiertas, apártese y encienda cuidadosamente el carbón; déjelo arder hasta que esté cubierto con una ceniza ligera (aproximadamente 20 minutos). Una vez que el carbón esté ardiendo, coloque cuidadosamente las brasas calientes en el centro de cada rejilla para carbón.

⚠ ADVERTENCIA: Mantenga las brasas calientes alejadas del obturador de aire del fogón para evitar que se caigan.

NOTA: Para prolongar la vida útil de la parrilla, asegúrese de que las brasas calientes y la leña no toquen las paredes de la fogón.

SI ESTÁ USANDO UN ENCEDEDOR PARA CHIMENEA A CARBÓN, CONTINÚE CON EL PASO 7

Si decide usar fluido de encendido de carbón, SÓLO use fluido aprobado para encender carbón. No use gasolina, queroseno, alcohol u otro material inflamable para encender el carbón. Siga todas las advertencias e instrucciones del fabricante con respecto al uso de su producto. Coloque 3.5 libras de carbón sobre la rejilla para carbón en el fogón.

Paso 4

Sature el carbón con fluido de encendido. Con la tapa de fogón y la puerta de la cámara de cocción abiertas, espere 2 a 3 minutos para permitir que el carbón absorba el fluido. Guarde el fluido de encendido de carbón lejos de el ahumador.

Paso 5

Abra el obturador de aire del fogón aproximadamente 1 o 2 pulg. y el regulador de tiro de la chimenea hasta la mitad. Con la tapa de fogón y la puerta de la cámara de cocción abiertas, apártese y encienda cuidadosamente el carbón; déjelo arder hasta que esté cubierto con una ceniza ligera (aproximadamente 20 minutos).

ADVERTENCIA: Se debe permitir que el fluido de encendido se consuma por completo antes de cerrar la tapa de fogón y la puerta de la cámara de cocción (aproximadamente 20 minutos). De lo contrario, se pueden atrapar vapores del fluido en la parrilla y causar un incendio repentino o explosión al abrir las tapa o puerta.

NOTA: Para prolongar la vida útil de la parrilla, asegúrese de que las brasas calientes y la leña no toquen las paredes de la fogón.

SI USANDO FLUIDO DE ENCENDIDO, VAYA AL PASO 7

Si usa un carbón pre-tratado, siga todas las advertencias e instrucciones del fabricante para el uso de su producto. Comience con 3.5 libras de carbón en el compartimiento para fogón. Abra el obturador de aire del fogón aproximadamente 1 o 2 pulg. y el regulador de tiro de la chimenea hasta la mitad.

Paso 6

Con la tapa de fogón y la puerta de la cámara de cocción abiertas, apártese y encienda cuidadosamente el carbón; déjelo arder hasta que esté cubierto con una ceniza ligera (aproximadamente 20 minutos). Una vez que el carbón esté ardiendo, coloque cuidadosamente las brasas calientes en el centro de cada rejilla para carbón.

Paso 7

Con las brasas ardiendo bien, agregue trozos de leña cuidadosamente con tenazas largas para cocinar (ver las secciones “Leña de sazonado” y “Cómo agregar carbón/leña mientras cocina” de este manual).

Paso 8

Coloque los alimentos sobre las rejillas para cocinar y cierre las la tapa de fogón y la puerta de la cámara de cocción.

Paso 9

La temperatura ideal para ahumar es entre 175 °F y 250 °F. Para cortes grandes de carne, permita aproximadamente 1 hora de tiempo de cocción por libra de carne. **Siempre use un termómetro para carne para verificar que la carne está completamente cocida antes de retirarla de la ahumador.**

Paso 10

Deje que la parrilla se enfríe por completo, luego siga las instrucciones en las secciones de “Seguridad posterior al uso” y “Cuidado y mantenimiento apropiados” de este manual.

Durante el proceso de ahumado, evite la tentación de abrir la tapa para inspeccionar la comida. Al abrir la tapa, se permite que se escape el calor y el humo, prolongando el tiempo de cocción necesario.

Los alimentos más cercanos al fogón se cocinarán y dorarán más rápido. Cambie de posición los alimentos en la mitad del ciclo de cocción. Si los alimentos están demasiado dorados o demasiado ahumados, envuélvalos en papel de aluminio después de las primeras horas de ahumado. Esto permitirá que los alimentos continúen cocinándose sin dorarse o ahumarse más.

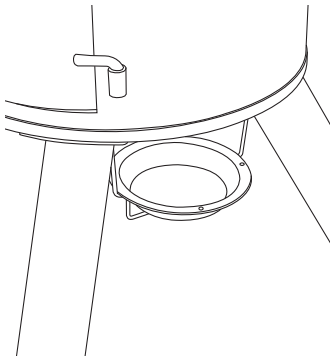
Cuando cocine pescado o cortes de carne sin grasa, puede ser conveniente ahumar con agua para que los alimentos no se sequen. Agregue agua o salsa para adobo al recipiente hasta que esté 2/3 lleno.

PRECAUCIÓN: Siempre use guantes para el horno para protegerse las manos. El líquido en el recipiente para agua estará muy caliente y puede quemar o escaldar. Siempre permita que el líquido se enfríe por completo antes de manipular el recipiente. No permita que se evapore todo el líquido del recipiente para agua.

- **Siempre use un termómetro para carne para verificar que la carne está completamente cocida antes de retirarla de la ahumador.** Un termómetro de carne puede ordenado directamente a Brinkmann llamando al 1-800-468-5252.

Consejos para Ahumar o Cocinar al Vapor

Cómo Cocinar a la Parrilla en la Cámara de Cocción



Paso 1

Quite las rejillas para cocinar del fogón y póngalas a un lado. Carbón Coloque la rejilla en la parte inferior de fogón.

Paso 2

Siga cuidadosamente las instrucciones a continuación para encender la parrilla. Puede usar carbón y/o leña como combustible en el fogón (ver la sección “Cómo agregar carbón/leña mientras cocina” de este manual).

NOTA: Recomendamos el uso de carbón que haya sido previamente tratado con líquido encendedor o un encendedor para chimenea a carbón.

ADVERTENCIA: NO guarde líquidos para encendedores u otros líquidos inflamables, materiales o carbón que haya sido previamente tratado con líquido encendedor debajo o alrededor de la parrilla.

Si usa un Encendedor para Chimenea a Carbón, siga todas las advertencias e instrucciones del fabricante para el uso de su producto. Comience con 3.5 libras de carbón en la rejilla para carbón.

Paso 3

Con la tapa de fogón y la puerta de la cámara de cocción abiertas, apártese y encienda cuidadosamente el carbón; déjelo arder hasta que esté cubierto con una ceniza ligera (aproximadamente 20 minutos). Una vez que el carbón esté ardiendo, coloque cuidadosamente las brasas calientes en el centro de cada rejilla para carbón.

NOTA: Para prolongar la vida útil de la parrilla, asegúrese de que las brasas calientes y la leña no toquen las paredes de la fogón.

SI ESTÁ USANDO UN ENCENDEDOR PARA CHIMENEA A CARBÓN, CONTINÚE CON EL PASO 8

Si decide usar fluido de encendido de carbón, SÓLO use fluido aprobado para encender carbón. No use gasolina, queroseno, alcohol u otro material inflamable para encender el carbón. Siga todas las advertencias e instrucciones del fabricante con respecto al uso de su producto. Coloque 3.5 libras de carbón sobre la rejilla para carbón en el fogón.

Paso 4

Sature el carbón con fluido de encendido. Con la tapa de fogón y la puerta de la cámara de cocción abiertas, espere 2 a 3 minutos para permitir que el carbón absorba el fluido. Guarde el fluido de encendido de carbón lejos de la ahumador.

Paso 5

Abra el obturador de aire del fogón aproximadamente 1 o 2 pulg. y el regulador de tiro de la chimenea hasta la mitad. Con la tapa de fogón y la puerta de la cámara de cocción abiertas, apártese y encienda cuidadosamente el carbón; déjelo arder hasta que esté cubierto con una ceniza ligera (aproximadamente 20 minutos).

ADVERTENCIA: Se debe permitir que el fluido de encendido se consuma por completo antes de cerrar la tapa de fogón y la puerta de la cámara de cocción (aproximadamente 20 minutos). De lo contrario, se pueden atrapar vapores del fluido en la parrilla y causar un incendio repentino o explosión al abrir la tapa.

SI ESTÁ USANDO UN ENCENDEDOR, CONTINÚE CON EL PASO 8

Si usa carbón pre-tratado, siga todas las advertencias e instrucciones del fabricante para el uso de su producto. Comience con 3.5 libras de carbón en el compartimiento para fogón. Abra el obturador de aire del fogón aproximadamente 1 o 2 pulg. y el regulador de tiro de la chimenea hasta la mitad.

Paso 7

Con la tapa de fogón y la puerta de la cámara de cocción abiertas, apártese y encienda cuidadosamente el carbón; déjelo arder hasta que esté cubierto con una ceniza ligera (aproximadamente 20 minutos). Una vez que el carbón esté ardiendo, coloque cuidadosamente las brasas calientes en el centro de cada rejilla para carbón.

Paso 8

Use guantes para el horno y coloque las rejillas para cocinar sobre marco de soporte del fogón.

ADVERTENCIA: Siempre use guantes para el horno para no quemarse las manos cuando ajuste los niveles para cocinar.

Paso 9

Coloque los alimentos sobre las rejillas para cocinar y cierre la tapa de fogón y la puerta de la cámara de cocción. **Siempre use un termómetro para carne para verificar que la carne está completamente cocida antes de retirarla de la parrilla.**

Paso 10

Deje que la parrilla se enfríe por completo, luego siga las instrucciones en las secciones de “Seguridad posterior al uso” y “Cuidado y mantenimiento apropiados” de este manual.

Para dar a los alimentos su sabor ahumado favorito, experimente con trozos o briquetas de leña de sazonado como nogal, pacana, manzano, cerezo o mezquita. La mayoría de la madera de los árboles frutales puede usarse para sazonar y ahumar. No use madera resinosa como el pino ya que producirá un sabor desagradable.

Los trozos de leña o astillas de 3 a 4 pulgadas de largo y 1 a 2 pulgadas de espesor funcionan mejor. A menos que la madera aún esté verde, remójela en agua 30 minutos o envuelva cada trozo en papel de aluminio y perforo agujeros pequeños en el papel de aluminio para producir más humo y evitar que la leña arda demasiado rápido. No se requiere mucha leña para lograr un buen sabor ahumado. Una cantidad recomendada para el Ahumador Trailmaster es 5 o 6 trozos o astillas de leña. Experimente usando más leña para obtener un sabor ahumado más fuerte o menos madera para un sabor más suave.

No debe ser necesario agregar más leña de sazonado durante el proceso de cocción. Sin embargo, puede ser necesario si se cocinan trozos muy grandes. Siga las instrucciones y precauciones en la sección “Cómo añadir carbón/leña mientras cocina” de este manual para evitar las lesiones.

Para aumentar el calor y la circulación de aire, abra por completo el obturador de aire del fogón y el regulador de tiro de la chimenea. Si el aumento en la circulación de aire no eleva lo suficiente la temperatura, quizá deba añadir más leña y/o carbón. Siga las instrucciones en la sección “Cómo agregar carbón/leña mientras cocina” de este manual.

Para mantener la temperatura, puede ser necesario añadir leña y/o carbón durante el ciclo de cocción.

NOTA: La leña seca produce más calor que el carbón, así que puede ser conveniente aumentar la proporción de leña a carbón para aumentar la temperatura. La madera dura como el roble, nogal, mezquita o de árboles frutales es un excelente combustible debido a la temperatura a la que arde. Cuando use leña como combustible, asegúrese que la madera esté seca. NO use madera resinosa como el pino ya que producirá un sabor desagradable.

Leña de Sazonado



Cómo Regular el Calor

Cómo Agregar Carbón/ Leña Mientras Cocina

Puede ser necesario añadir carbón y/o leña para mantener o aumentar la temperatura de cocción.

CÓMO AGREGAR CARBÓN/LEÑA EN EL FOGÓN

Paso 1

Apártese y abra cuidadosamente la tapa del fogón. Sea precavido ya que pueden producirse llamaradas cuando el aire fresco hace contacto repentino con las llamas.

Paso 2

Con guantes para el horno puestos, apártese una distancia segura y use tenazas largas para cocinar para quitar suavemente las cenizas de las brasas calientes. Use tenazas para cocinar para añadir carbón y/o leña, teniendo cuidado de no provocar cenizas o chispas. Si es necesario, utilice el Encendedor para Chimenea a Carbón para encender el carbón y/o leña que añadió.

⚠️ ADVERTENCIA: Nunca añada fluido de encendido de carbón a las brasas calientes o tibias ya que puede producirse un retroceso de la llama y causar quemaduras graves.

Paso 3

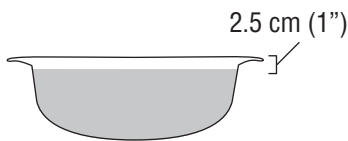
Una vez que el carbón esté ardiendo bien nuevamente, cierre la tapa del fogón.

Revise el nivel de agua en la bandeja para agua si el proceso de cocción toma más de 2-3 horas. Puede detectarse que el nivel de agua está bajo cuando se escucha el sonido siseante del agua. El agua puede agregarse a la bandeja para agua a través de la puerta trasera. Tenga precaución y siga las instrucciones cuidadosamente.

PARA AGREGAR AGUA A TRAVÉS DE LA PUERTA TRASERA

1. Aléjese y cuidadosamente abra la puerta trasera. Tenga precaución pues puede haber llamaradas cuando el aire fresco entre repentinamente en contacto con el fuego. Inspeccione el nivel de agua en la bandeja.
2. Si el nivel de agua está bajo, agregue agua a la bandeja para agua. Aléjese y con cuidado agregue el agua usando un embudo o contenedor con boquilla. Llene la bandeja de agua hasta 2.5 cm (1") por debajo del borde. Eche el agua lentamente para evitar salpicaduras o derramamientos.
3. Cierre la puerta trasera permita que la comida continúe cocinándose.

Para Agregar Agua Mientras Cocina



SEGURIDAD POSTERIOR AL USO

⚠ ADVERTENCIA

- Siempre deje que el ahumador y todos los componentes se enfríen bien antes de tocarlos.
- Nunca deje las brasas y cenizas en el ahumador desatendidas. Verifique que las brasas y cenizas están totalmente apagadas antes de retirarlas.
- Se deben remover las brasas y cenizas restantes del ahumador antes de dejarlo desatendido. Sea precavido para protegerse usted y su propiedad. Coloque cuidadosamente el resto de las brasas y cenizas en un recipiente de metal no combustible y satúrelas por completo con agua. Deje las brasas y el agua en el recipiente metálico 24 horas antes de desecharlos.
- Las brasas y cenizas apagadas deben situarse a una distancia segura de todas las estructuras y materiales combustibles.
- Con una manguera común para el jardín, moje bien la superficie debajo y alrededor del ahumador para apagar las cenizas, carbón o brasas que se hayan caído mientras cocinaba o durante el proceso de limpieza.
- Deje que el cubo o lata de metal y su contenido se enfríe por completo antes de quitarla. Deseche el contenido correctamente.
- Cubra y guarde el ahumador en un área protegida fuera del alcance de los niños o animales domésticos.

- Cure el ahumador periódicamente durante todo el año para protegerlo contra la oxidación excesiva.
- Para proteger su ahumador contra la oxidación excesiva, la unidad debe curarse correctamente y mantenerse cubierta todo el tiempo cuando no la esté usando. Una cobertura Trailmaster puede ser ordenada directamente de Brinkmann llamando al 800-468-5252.
- Lave las rejillas para cocinar y las rejillas para carbón con agua jabonosa caliente, enjuáguelas bien y séquelas. Aplique una capa ligera de aceite vegetal líquido o en aerosol a las rejillas.
- Limpie el interior y exterior del ahumador con un paño húmedo. Aplique una capa ligera de aceite vegetal líquido o en aerosol a la superficie interior para impedir la oxidación.
- Si observa oxidación en la superficie exterior del ahumador, limpie y pula el área afectada con lana de acero o una tela esmeril fina. Retoque el área con una pintura resistente a las altas temperaturas de buena calidad.
- Nunca aplique pintura a la superficie interior. Las manchas de oxidación en la superficie interior pueden pulirse, limpiarse y luego cubrirse con una capa ligera de aceite vegetal líquido o en aerosol para reducir al mínimo la oxidación.

Cuidado y Mantenimiento Adecuados

FOR COVERS, ACCESSORIES AND OTHER PRODUCTS, PLEASE VISIT US ONLINE AT:

WWW-BRINKMANN-NET

PARA CUBIERTAS, ACCESORIOS Y OTROS PRODUCTOS, FAVOR DE VISITARNOS POR LA RED MUNDIAL EN:

WWW-BRINKMANN-NET

1-YEAR LIMITED WARRANTY

For 1-year from date of purchase, The Brinkmann Corporation warrants the Trailmaster against defects due to workmanship or materials to the original purchaser. The Brinkmann Corporation's obligations under this warranty are limited to the following guidelines:

- This warranty does not cover grills that have been altered/modified or damaged due to: normal wear, rust, abuse, improper maintenance and/or improper use.
- This warranty does not cover surface scratches or heat damage to the finish, which is considered normal wear.
- The Brinkmann Corporation may elect to repair or replace damaged units covered by the terms of this warranty.
- This warranty extends to the original purchaser only and is not transferable or assignable to subsequent purchasers.

The Brinkmann Corporation requires reasonable proof of purchase. Therefore, we strongly recommend that you retain your sales receipt or invoice. To obtain replacement parts for your Trailmaster under the terms of this warranty, please call Customer Service Department at 800-527-0717 for a **Return Authorization Number** and further instructions. **A receipt or proof of purchase will be required.** The Brinkmann Corporation will not be responsible for any grills forwarded to us without prior authorization.

EXCEPT AS ABOVE STATED, THE BRINKMANN CORPORATION MAKES NO OTHER EXPRESS WARRANTY.

THE IMPLIED WARRANTIES OF MERCHANTABILITY AND FITNESS FOR A PARTICULAR PURPOSE ARE LIMITED IN DURATION TO 1-YEAR FROM THE DATE OF PURCHASE. SOME STATES DO NOT ALLOW LIMITATIONS ON HOW LONG AN IMPLIED WARRANTY LASTS, SO THE ABOVE LIMITATION MAY NOT APPLY TO YOU.

ANY LIABILITY FOR INDIRECT, INCIDENTAL OR CONSEQUENTIAL DAMAGES ARISING FROM THE FAILURE OF THE TRAILMASTER TO COMPLY WITH THIS WARRANTY OR ANY IMPLIED WARRANTY IS EXCLUDED. CUSTOMER ACKNOWLEDGES THAT THE PURCHASE PRICE CHARGED IS BASED UPON THE LIMITATIONS CONTAINED IN THE WARRANTY SET OUT ABOVE. SOME STATES DO NOT ALLOW THE EXCLUSION OR LIMITATION OF INCIDENTAL OR CONSEQUENTIAL DAMAGES, SO THE ABOVE LIMITATION OR EXCLUSION MAY NOT APPLY TO YOU. THIS WARRANTY GIVES YOU SPECIFIC LEGAL RIGHTS, AND YOU MAY ALSO HAVE OTHER RIGHTS WHICH VARY FROM STATE TO STATE.

1 AÑO DE GARANTÍA LIMITADA

Durante un año a partir de la fecha de compra, The Brinkmann Corporation garantiza al comprador original que el Ahumador Trailmaster está libre de defectos de materiales o mano de obra. Las obligaciones de The Brinkmann Corporation con respecto a esta garantía se limitan a lo siguiente:

- Esta garantía no cubre parrillas que han sido alteradas/modificados o dañadas debido al: desgaste ordinario, óxido, abuso, mantenimiento inapropiado y/o uso inapropiado.
- Esta garantía no cubre rayones superficiales o daño por calor al acabado, lo cual se considera como uso normal.
- The Brinkmann Corporation puede decidir reparar o reemplazar las unidades dañadas cubiertas bajo los términos de esta garantía.
- Esta garantía se otorga al comprador original únicamente y no es transferible o asignable a los compradores posteriores.

The Brinkmann Corporation exige un comprobante de compra razonable. Por lo tanto, le recomendamos enfáticamente que retenga su recibo o factura de venta. Para obtener partes de reemplazo para el Ahumador Trailmaster bajo los términos de esta garantía, sírvase llamar al Departamento de Servicio al Cliente al 800-800-527-0717 para recibir un **número de autorización de devolución** y otras instrucciones. **Se requerirá el recibo o comprobante de compra.** The Brinkmann Corporation no será responsable de ninguna parrilla devuelta a nosotros sin autorización previa.

EXCEPTO POR LO INDICADO ARRIBA, THE BRINKMANN CORPORATION NO OTORGA NINGUNA OTRA GARANTÍA EXPRESA.

LAS GARANTÍAS IMPLÍCITAS DE COMERCIABILIDAD Y ADECUACIÓN CON UN FIN EN PARTICULAR SON DE DURACIÓN LIMITADA DE 1 AÑO A PARTIR DE LA FECHA DE COMPRA. ALGUNOS ESTADOS NO PERMITEN LIMITACIONES DE DURACIÓN DE UNA GARANTÍA IMPLÍCITA; POR LO TANTO, LA LIMITACIÓN ANTERIOR PODRÍA NO SER APLICABLE EN SU CASO.

SE EXCLUYE CUALQUIER RESPONSABILIDAD POR DAÑOS INDIRECTOS, INCIDENTALES O CONSIGUIENTES DERIVADOS DE LA FALTA DE CUMPLIMIENTO DE ESTA GARANTÍA O DE CUALQUIER GARANTÍA IMPLÍCITA DEL AHUMADOR TRAILMASTER. EL CLIENTE RECONOCE QUE EL PRECIO DE COMPRA COBRADO SE BASA EN LAS LIMITACIONES CONTENIDAS EN LA GARANTÍA ANTERIOR. ALGUNOS ESTADOS NO PERMITEN LA EXCLUSIÓN O LIMITACIÓN DE LOS DAÑOS INCIDENTALES O CONSIGUIENTES; POR LO TANTO, LA LIMITACIÓN O EXCLUSIÓN ANTERIOR PODRÍA NO SER APLICABLE EN SU CASO. ESTA GARANTÍA LE OTORGA DERECHOS LEGALES ESPECÍFICOS Y USTED PUEDE TENER ADEMÁS OTROS DERECHOS QUE VARÍAN DE UN ESTADO A OTRO.