



SKU #1001-075-943  
Model # HOTC5210B1AD

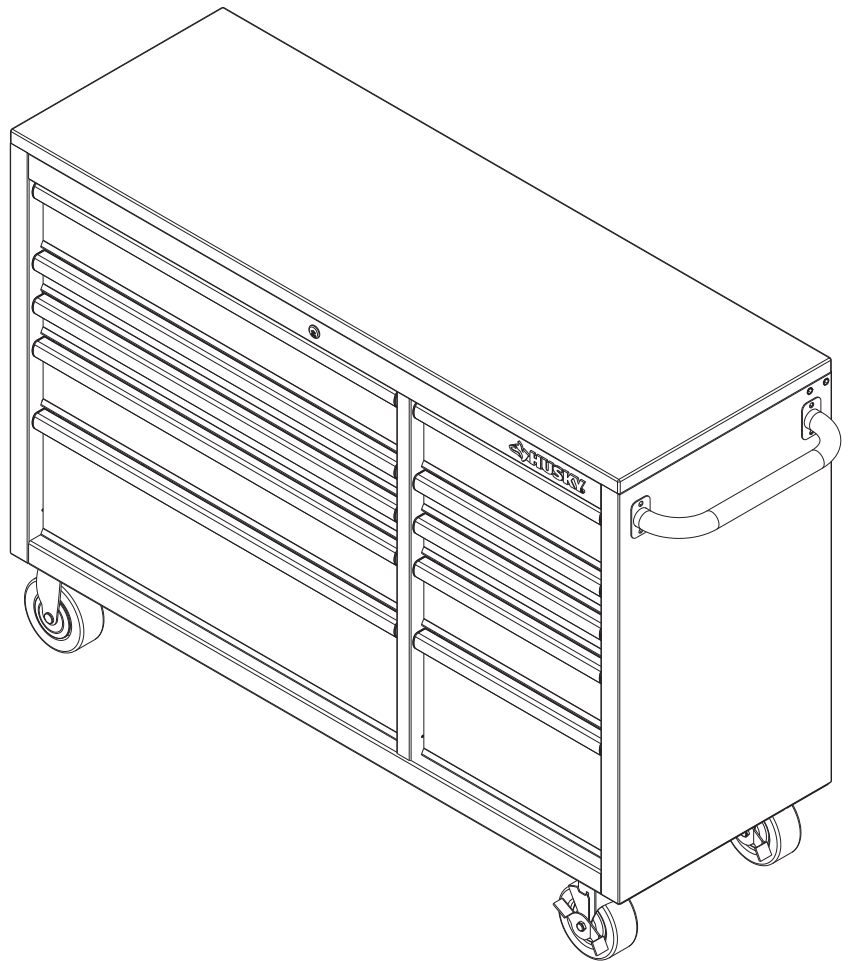
## USE AND CARE GUIDE

### HUSKY 52 IN. 10-DRAWER MOBILE WORKBENCH

Questions, problems, missing parts?  
Before returning to the store, call  
Husky Customer Service  
8 a.m - 6 p.m., EST, Monday-Friday

1-888-43-HUSKY

HUSKYTOOLS.COM



---

#### **THANK YOU**

*We appreciate the trust and confidence you have placed in Husky through the purchase of this chest/cabinet. We strive to continually create quality products designed to enhance your home. Visit us online to see our full line of products available for your home improvement needs. Thank you for choosing Husky!*

# Table of Contents

Table of Contents .....	2
Safety Information.....	2
Warranty .....	3
Pre-Assembly.....	4
Tools Required .....	4
Hardware Included .....	4
Specifications.....	4
Package Contents .....	5

Assembly .....	6
Operation .....	7
Maintenance .....	8
Care and Cleaning .....	8
Service Parts .....	9

## Safety Information

1. Do not open more than one drawer at a time.
2. Do not let children approach the product.
3. To help prevent the product from tipping, load the product starting with the bottom drawers.
4. Keep the locking casters' brake set unless you are moving the cabinet. This will help to prevent the product from rolling.
5. Lock all drawers before moving the product.
6. Make sure all drawers close tightly before locking/unlocking.
7. Do not step in any drawer/drawers.
8. When moving this product, push it rather than pull it.
9. Do not alter this product in any manner.



**DANGER:** Do not stand on this product. You may fall or cause the product to tip.



**DANGER:** Do not move the product prior to closing and locking all the drawers. The drawers could come open and make the product unstable and tip.



**DANGER:** Do not mount this product on a truck bed or any other moving object.



**WARNING:** Keep the product on a level surface. The product may become unstable and tip if stored or moved on an uneven surface.



**CAUTION:** Do not lift this product directly with a forklift or tow with any mechanical devices.



**CAUTION:** Do not exceed the maximum weight loading capacity, including weight for each drawer. See Specifications on page 4.



**CAUTION:** Only transport this product when empty. Properly secure when transporting.

# Warranty

---

The manufacturer warrants the product to be free from defects in materials and workmanship for a period of three (3) years from date of purchase. This warranty applies only to the original consumer and only to products used in normal use and service. If this product is found to be defective, the manufacturer's only obligation, and your exclusive remedy, is the repair or replacement of the product at the manufacturer's discretion, provided that the product has not been damaged through misuse, abuse, accident, modifications, alteration neglect or mishandling. This warranty shall not apply to any product that is found to have been improperly installed, set-up, or used in any way not in accordance with the instructions supplied with the product. This warranty shall not apply to a failure of the product as a result of an accident, misuse, abuse, negligence, alteration, faulty installation, or any other failure not relating to faulty material or workmanship. This warranty shall not apply to the finish on any portion of the products such as surface and/or weathering, as this is considered normal wear and tear.

The manufacturer does not warrant and specifically disclaims any warranty, whether express or implied, of fitness for a particular purpose, other than the warranty contained herein. The manufacturer specifically disclaims any liability and shall not be liable for any consequential or incidental loss or damage, including but not limited to any labor/expense costs involved in the replacement or repair of said product.

Contact the Customer Service Team at 1-888-43-HUSKY or visit [www.huskytools.com](http://www.huskytools.com).

# Pre-assembly

## TOOLS REQUIRED

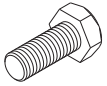


Safety goggles

## HARDWARE INCLUDED



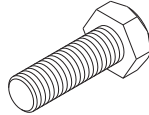
**NOTE:** Hardware not shown to actual size.



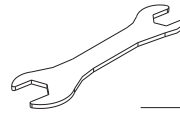
AA



BB



CC



DD

Part	Description	Quantity
AA	Bolt M6 x 15L	4
BB	Washer	16
CC	Bolt M8 x 20L	16
DD	10MM/13MM Wrench	1

## SPECIFICATIONS

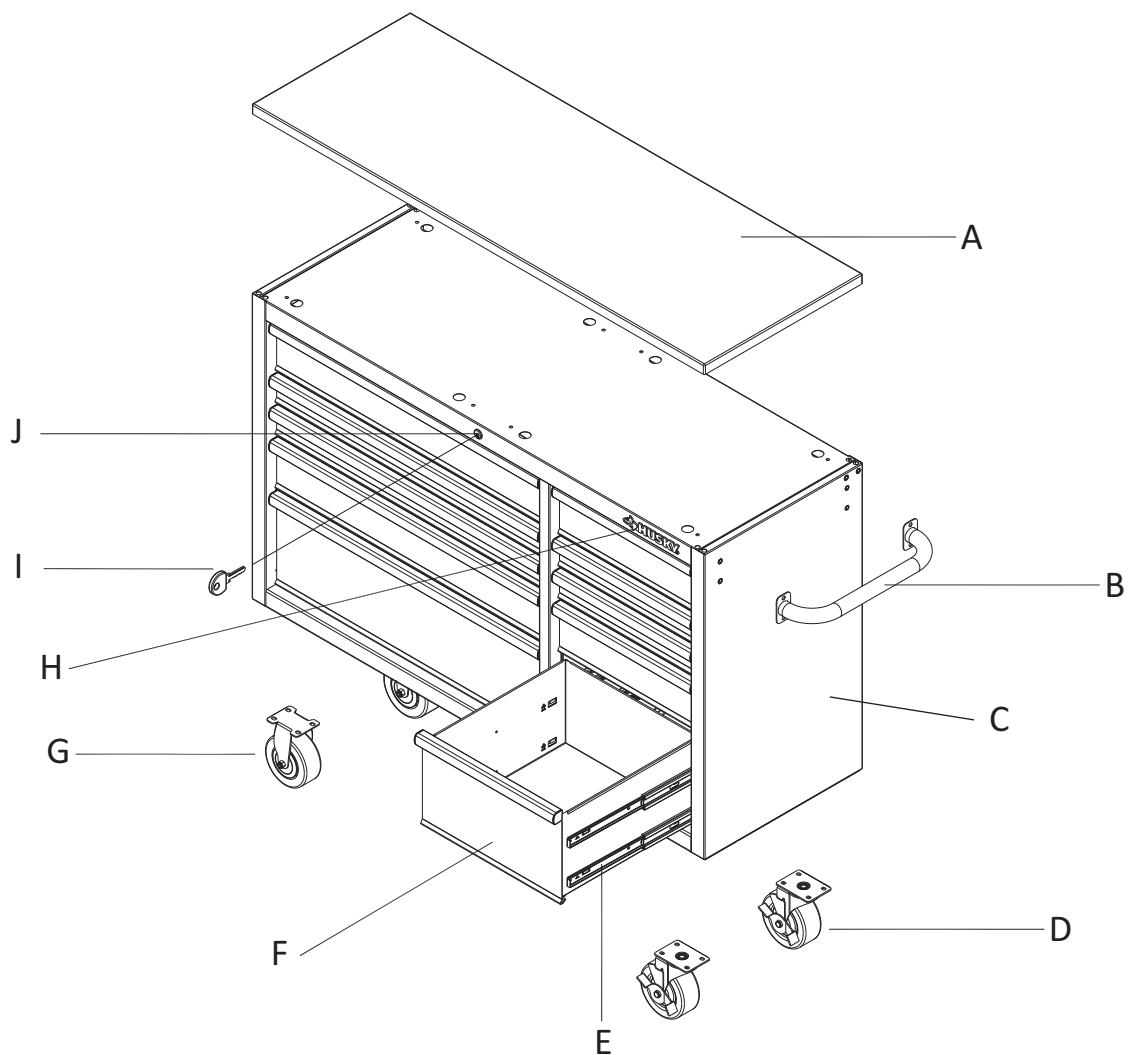
Maximum capacity (drawer)	75 lbs
Maximum capacity (bottom deep drawers)	100 lbs
Maximum capacity (total unit)	1,000 lbs



**NOTE:** Begin product assembly close to the final intended location of your cabinet. This product is heavy and may be difficult to move after assembly.

# Pre-assembly (continued)

## PACKAGE CONTENTS



Part	Description	Quantity
A	Wood top	1
B	Side handle	1
C	Rolling cabinet	1
D	Swivel caster with brake	2
E	Drawer slide 75 lbs (pair)	12
F	Drawer	10
G	Rigid caster	2
H	Husky badge	1
I	Key (set)	1
J	Lock	1

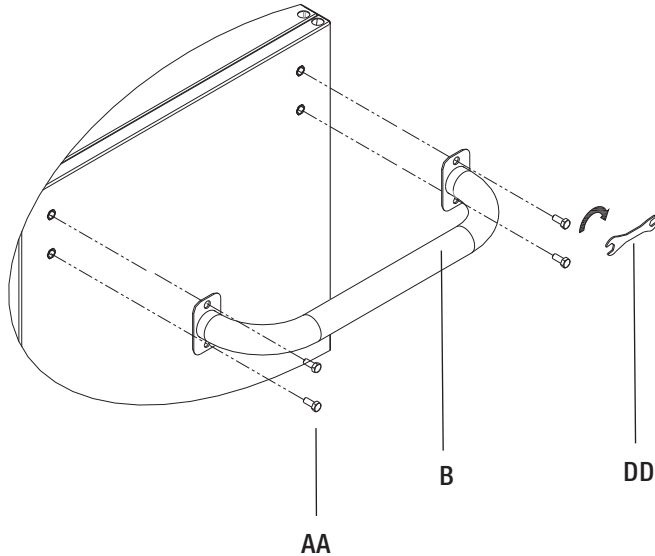
# Assembly

## 1 Attaching the side handle

- Attach the side handle (B) to the cabinet using four bolts (AA).
- Tighten all bolts with the 10 mm wrench (DD).



**NOTE:** The holes in the cabinet are tapped and do not require nuts.

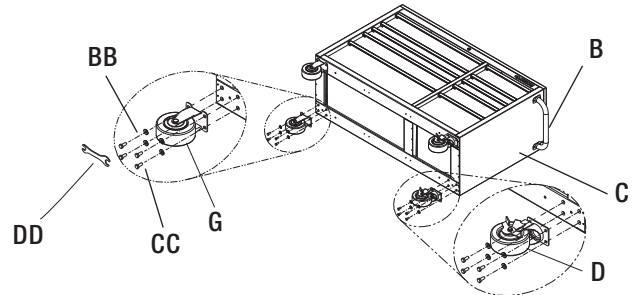


## 2 Installing the casters



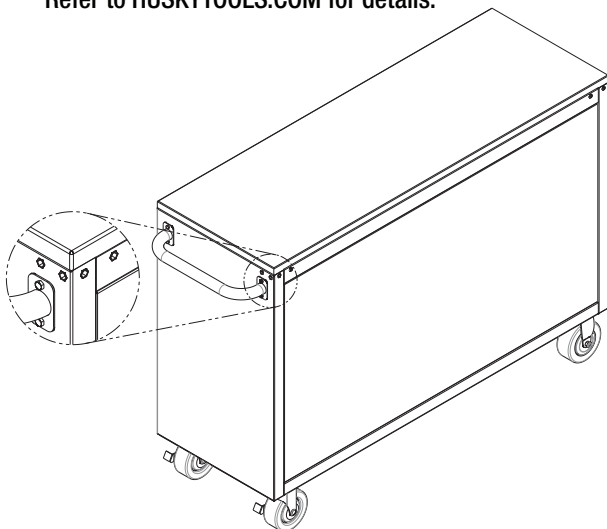
**CAUTION:** Do not over tighten the screws.

- Ensure all cabinet drawers are securely locked into place using the key (I) and lock (J) on the rolling cabinet (C).
- Lay the rolling cabinet (C) on its back. Use the packaging material to protect the finish.
- Mount the two swivel casters with brake (D) to the rolling cabinet (C) using four bolts (CC) and washers (BB) per caster. The swivel casters with brake (D) should be installed on the same side as the side handle (B).
- Mount the two rigid casters (G) to the rolling cabinet (C) using four bolts (CC) and washers (BB) per caster.
- Tighten all bolts with a 13 mm wrench (DD).
- Return the rolling cabinet (C) to its upright position.



## 3 Optional Attachment

- The rolling cabinet has pre-mounted threaded nuts on the back and sides of the unit for the installation of the optional Pegboard Back Wall (Model#D6TC09002). Refer to [HUSKYTOOLS.COM](http://HUSKYTOOLS.COM) for details.



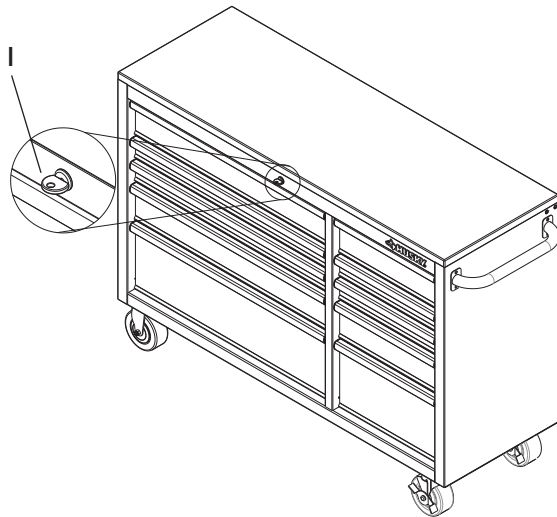
# Operation

## 1 Locking and unlocking the unit



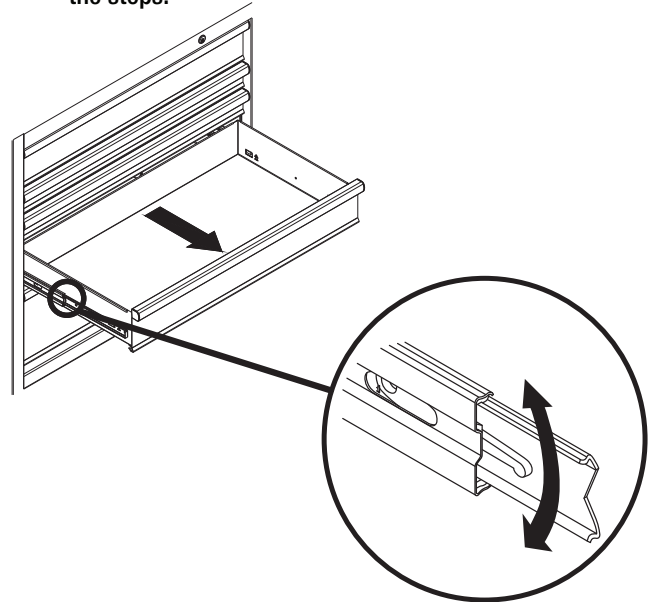
**IMPORTANT:** The drawers must be fully closed before locking / unlocking the unit.

- To lock the unit, insert the key (I) into the lock (J) and turn it 1/4-turn to the left. Then remove the key.
- To unlock the unit, insert the key (I) into the lock (J) and turn it 1/4-turn to the right. Then remove the key.



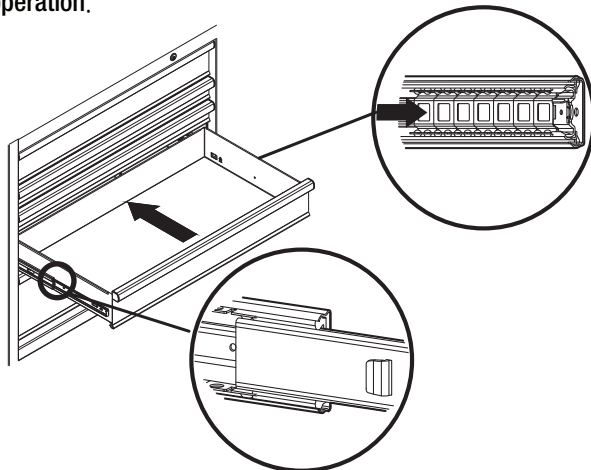
## 2 Removing the drawers

- Fully extend and empty the drawer.
- On the slide, lift up the plastic release lever on one side and push down the plastic release lever on the other side. Gently pull the drawer out so the slides can ride over the stops.



## 3 Installing the drawers

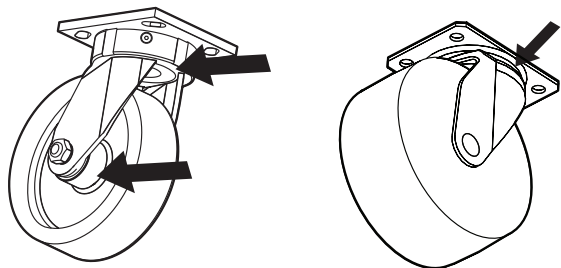
- Pull the slides and slide carrier out until fully extended.
- Hold the slide on the cabinet while aligning it with the slide on the drawer.
- Slightly insert one side and repeat for the other side.
- Slowly push the drawer until it is fully closed to engage the slide.
- Open the drawer and close it to verify proper operation.



# Maintenance

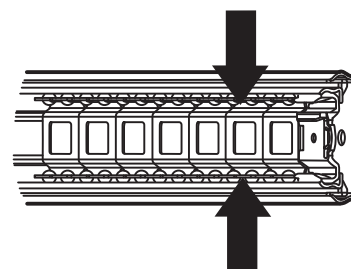
## 1 Maintaining the casters

- Grease the casters annually using high quality bearing grease.



## 2 Maintaining the drawers

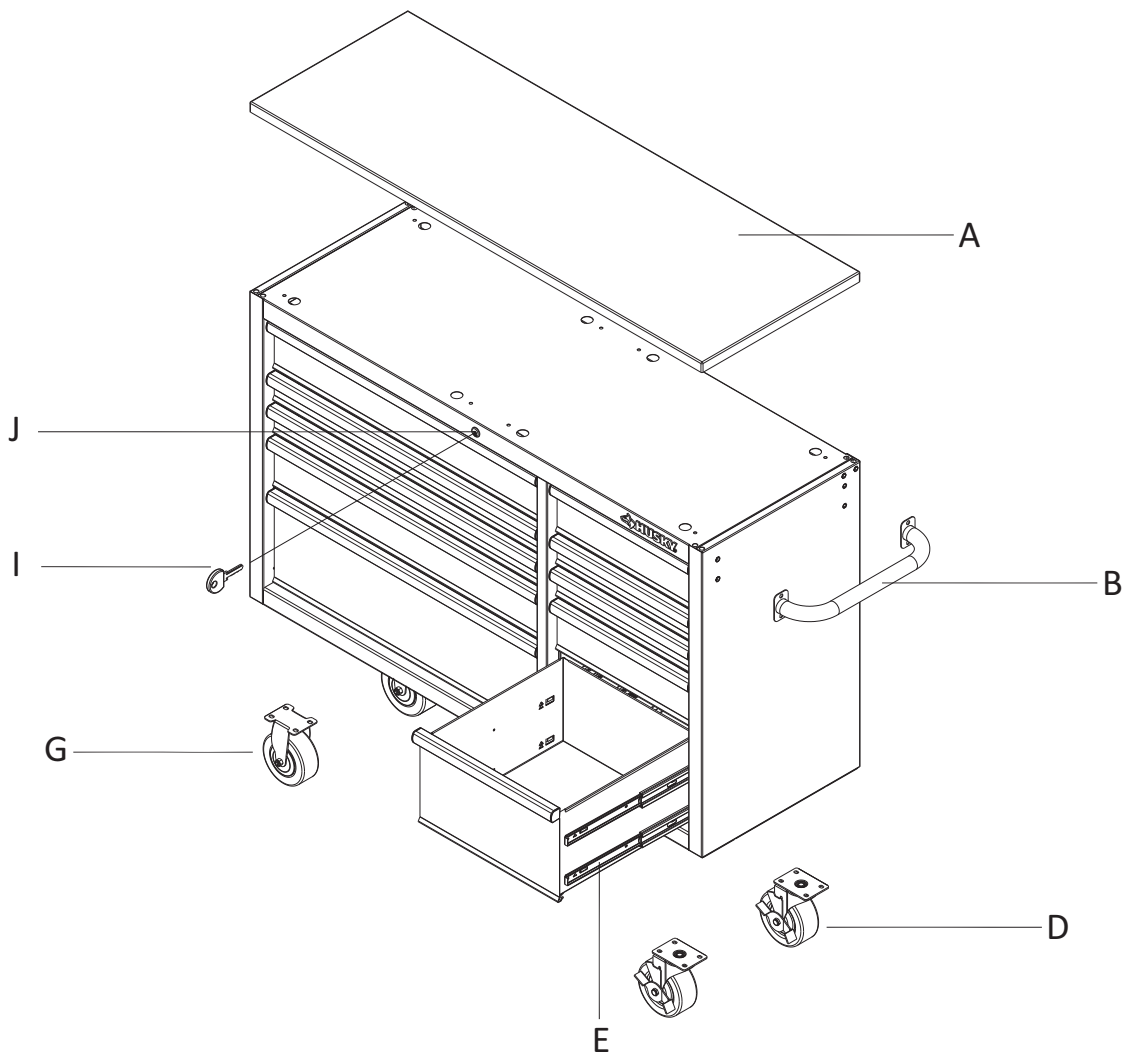
- Periodically clean the drawer trim, and inside the drawers with a mild detergent and water.
- Remove grease and oil with a standard, nonflammable cleaning fluid.
- The use of drawer liners is recommended to protect the finish inside the drawers and make the drawers easier to clean. Drawer liners can be purchased at The Home Depot and can be cleaned with soap and water.
- Lubricate the slides semi-annually with grease or equivalent.



# Care and Cleaning

- This steel product has been coated with industrial powder coating for a durable finish. To help protect this finish, do not allow harsh chemicals such as oil or grease to remain on the powder coating surface. Use a glass cleaner (Windex® or equivalent product) to clean and maintain all powder coated surfaces.
- The wood top is made of Parawood (also called Rubberwood) which has a polyurethane coating to help protect it from moisture. It can be cleaned with most household cleaners, such as Windex®.





Part	Part#	Description	Quantity
A	K2532030	Wood top	1
B	D6TC04001	Side handle	1
D	K03220265	Swivel caster w/brakes	2
E	K0204022	Drawer slide 75 lbs (pair)	12
G	K03220263	Rigid caster	2
I	K06120021	Key (set)	1
J	K06120022	Lock	1



**Questions, problems, missing parts? Before returning to the store, call  
Husky Customer Service  
8 a.m.-6 p.m., EST, Monday-Friday**

**1-888-43-HUSKY**

**HUSKYTOOLS.COM**

**Retain this manual for future use.**