

SINCE 1839

BRINLY

SINCE 1839

BRINLY

OWNER'S MANUAL

LAWN SWEEPER

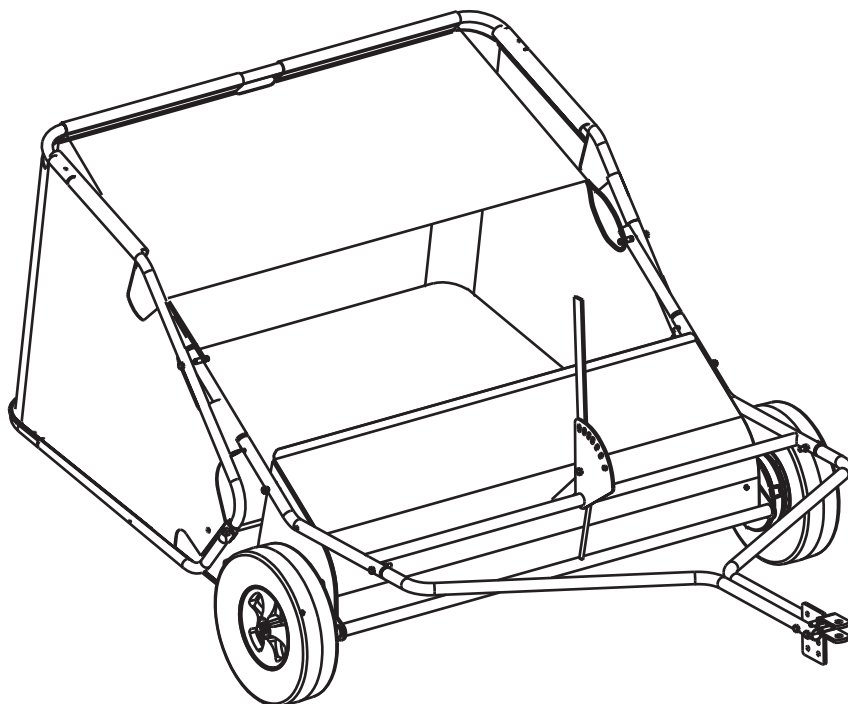
SWEeper MODEL:

STS-42 LXH

US PATENT 6,640,532

- Assembly
- Installation
- Operation
- Repair Parts

For use with Riders
and Lawn/Garden Tractors



For the latest product updates and setup tips:

Visit us on the web!
www.brinly.com

Important: This instruction contains information for the safety of persons and property. Read it carefully before assembly and operation of the equipment!

CONGRATULATIONS on your the purchase pf your new Brinly-Hardy Lawn Sweeper! Your lawn sweeper is designed, engineered and manufactured to give you the best possible dependability and performance.

CUSTOMER RESPONSIBILITIES

Please read and retain this manual. The instructions enables you to assemble and maintain your lawn roller properly. And please, always observe the "Safety" instructions.

TABLE OF CONTENTS

SAFETY	2-3
PARTS REFERENCE	4
PARTS LIST.....	5
ASSEMBLY	6-11
OPERATION.....	11-13
SERVICE.....	14

PRODUCT IDENTIFICATION

PRODUCT COMPATIBILITY

This lawn sweeper is designed for use with lawn tractors and lawn and garden tractors.

RECORD PURCHASE INFORMATION

Record your purchase information in the spaces provided below.

DATE OF PURCHASE: _____

COMPANY NAME: _____

COMPANY PHONE: _____

SERIAL NUMBER: _____

SAFETY LABELS

UNDERSTANDING THE MACHINE SAFETY LABELS



Safety-Alert Symbol



The machine safety labels shown in this section are placed in important areas on your machine to draw attention to potential safety hazards.

On your machine safety labels, the words DANGER, WARNING, and CAUTION are used with this safety-alert symbol. DANGER identifies the most serious hazards.

The operator's manual also explains any potential safety hazards whenever necessary in special safety messages that are identified with the word, CAUTION, and the safety-alert symbol.

TO HELP PREVENT BODILY INJURY DUE TO LOSS OF STABILITY OR CONTROL.

Do not exceed maximum towing capacity of towing vehicle listed in the vehicle operator's manual.

Do not exceed 5 mph.

Do not tow this machine behind a motor vehicle such as a car, truck or ATV.

Do not tow this machine behind a ZTR (Zero Turn Radius) Mower.

SAFETY

Read the general safety operating precautions in your towing vehicle operator's manual for additional safety information.

Operate Safely

Use this machine for intended purpose only.

This machine is intended for use in lawn care and home applications. Do not tow behind a vehicle on a highway or in any high speed applications. Do not tow at speeds higher than maximum recommended towing speed.

Towing speed should always be slow enough to maintain control. Travel slowly over rough ground.

Do not let children or an untrained person operate machine.

Do not let anyone, especially children, ride on this machine or the towing vehicle. Riders are subject to injury such as being struck by foreign objects and being thrown off. Riders may also obstruct the operator's view, resulting in this machine being operated in an unsafe manner.

Check towing vehicle brake action before you operate. Adjust or service brakes as necessary.

Keep all parts in good condition and properly installed. Fix damaged parts immediately. Replace worn or broken parts. Replace all worn or damaged safety and instruction decals.

Do not modify the machine or safety devices. Unauthorized modifications to the towing vehicle or machine may impair its function and safety, and void the warranty.

Keep all nuts, bolts and screws tight.

TOWING SAFELY

Stopping distance increases with speed and weight of towed load. Travel slowly and allow extra time and distance to stop.

Total towed weight must not exceed limits specified in towing vehicle operator's manual.

Excessive towed load can cause loss of traction and loss of control on slopes. Reduce towed weight when operating on slopes.

Never allow children or others in or on towed equipment.

Use only approved hitches. Tow only with a machine that has a hitch designed for towing. Do not attach this machine except at the approved hitch point.

Follow the manufacturer's recommendations for weight limits for towed equipment and towing on slopes. Use counterweights or wheel weights as described in the towing vehicle operator's manual.

Do not turn sharply. Use additional caution when turning or operating under adverse surface conditions. Use care when reversing. To avoid jack-knifing, do not allow towing vehicle wheels to contact drawbar.

Do not shift to neutral and coast downhill.

Protect Bystanders

Keep bystanders away when you operate this machine

Before you back look carefully behind for bystanders.

Before you operate any feature of this machine, observe your surroundings and look for bystanders.

Keep Riders Off Towed Attachment

Keep riders off towed attachment.

Riders on a towed attachment are subject to injury, such as being struck by objects and being thrown off the attachment during sudden starts, stops and turns.

Riders obstruct the operator's view, resulting in the attachment being used in an unsafe manner.

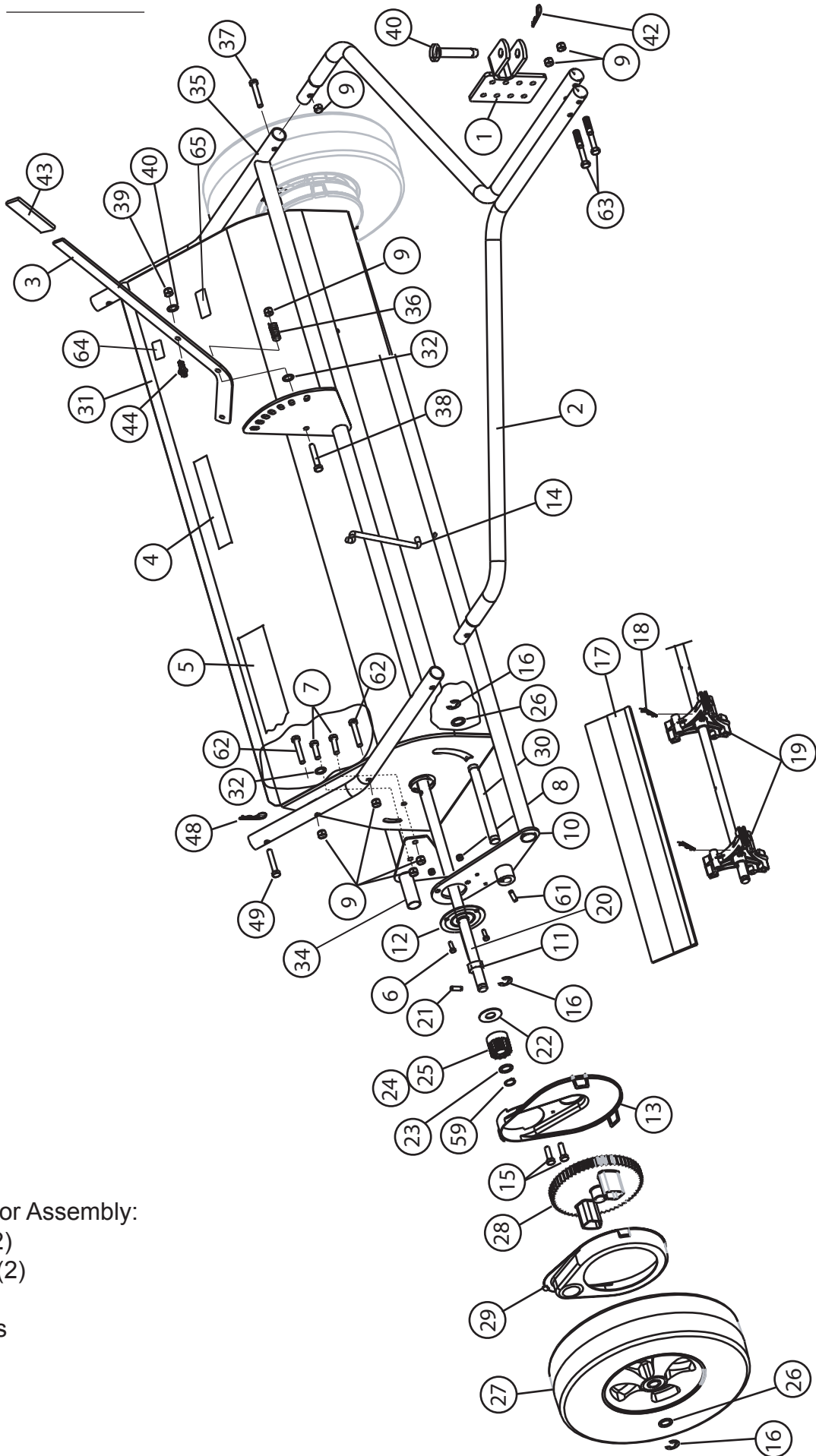
Keep riders off of hitch bracket.

Keep Body Parts From Under Drawbar

Before you disconnect this machine from towing vehicle hitch plate:

- Stop on level ground.
- Stop towing vehicle engine.
- Lock towing vehicle park brake.
- Block wheels of the machine.
- Make sure body parts are not under drawbar.

PARTS REFERENCE

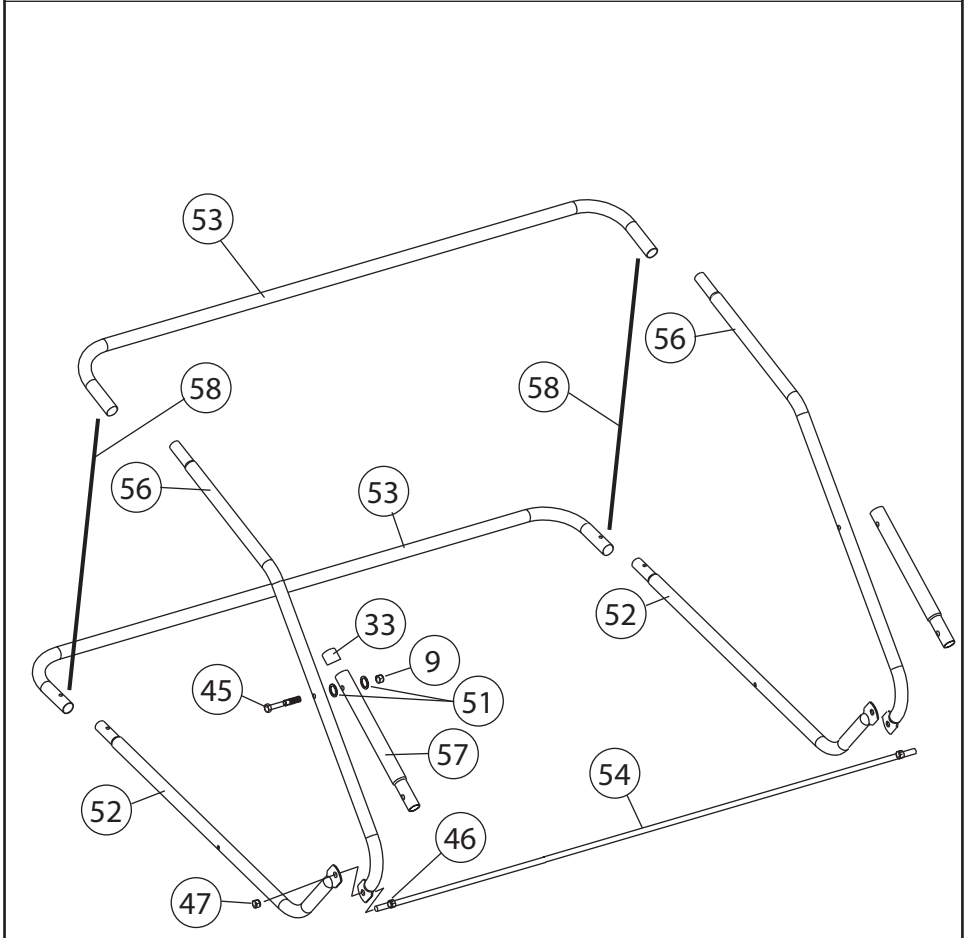
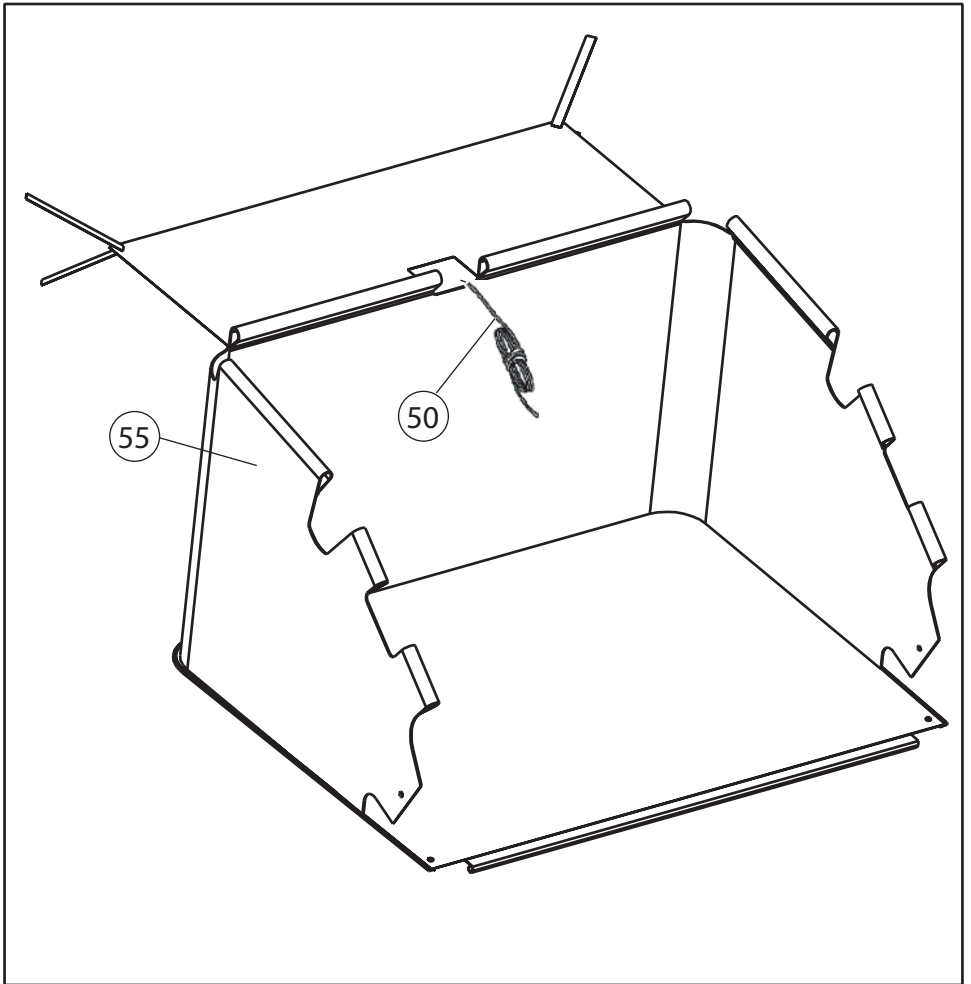


Tools Required for Assembly:

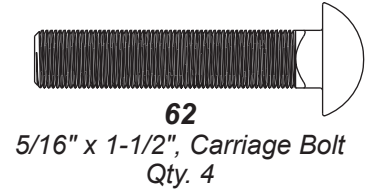
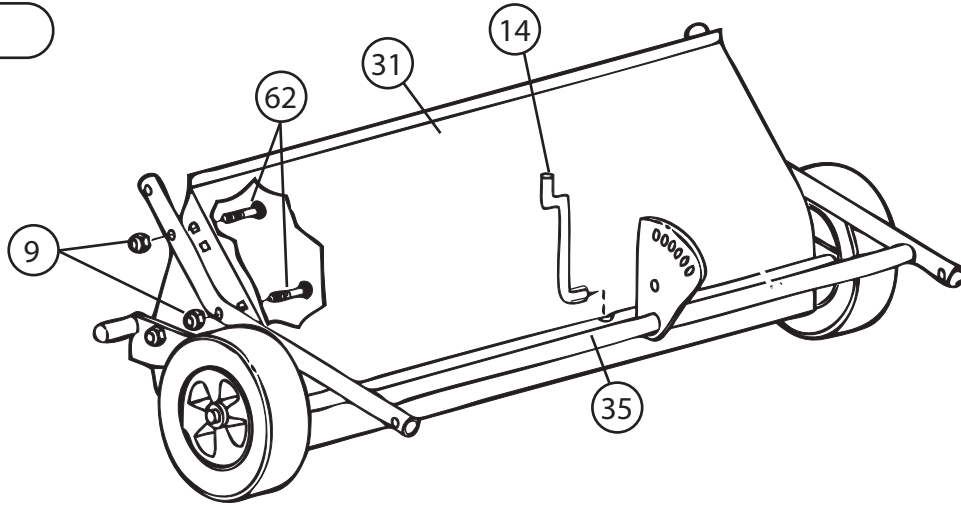
- 1/2" Wrench (2)
- 9/16" Wrench (2)
- Pliers
- Safety Glasses
- Gloves

PARTS LIST

REF. NO.	PART NO.	DESCRIPTION	QTY.
1	R-2251-10	Hitch Clevis Assembly	1
2	R-2254-10	Tow Tube	2
3	R-2270-10	Lift Handle	1
4	R-1946	Instruction Decal	1
5	B-5924	Logo Decal	1
6	11M0808P	Carriage Bolt, 1/4" x 1/2"	6
7	2M1012P	Hex Bolt, 5/16" x 3/4"	4
8	B-1673P	Hex Lock Nut, 1/4"	6
9	B-4786	Nylon Insert Lock Nut, 5/16"	9
10	R-2415-10	Lower Pivot Assembly	1
11	R-2288	Bearing Assembly	2
12	R-2289	Bearing Retainer	2
13	R-2293-1	Inner Dust Shield	2
14	R-2416	Lift Link	1
15	R-2321	Self-Taping Screw #12x3/8"	4
16	F-577	"E" Ring, 5/8"	6
17	R-2205	Brush Section	6
18	50M0624P	Cotter Pin, 3/16" x 1-1/2"	4
19	R-2281	Brush Holder	4
20	R-2259	Brush Axle	1
21	R-2261	Dowel Pin	2
22	R-2262	Washer, 5/8" I.D. x 1-3/8"	2
23	R-2263	Washer, 5/8" I.D. x 7/8"	2
24	R-2485LH	Drive Pinion, Left Hand	1
25	R-2485RH	Drive Pinion, Right Hand	1
26	B-4768	5/8" Machinery Bushing	4
27	R-2265-BT	Wheel, 12" x 3" Bar Trd.	2
28	R-2280	Drive Gear, 60 Tooth	2
29	R-2293-2	Outer Gear Cover	2
30	R-2306-01	Wheel Axle	2
31	R-2413-10	Brush Housing Assembly	1
32	45M1111P	5/16" Flat Washer	3
33	B-4107	Vinyl Cap, 1" dia.	2
34	R-2296-10	Hamper Stop Assembly	1
35	R-2290-10	Upper Frame Assembly	1
36	B-3805	Spring	1
37	2M1024P	Hex Bolt, 5/16" x 1-1/2"	2
38	2M1028P	Hex Bolt, 5/16" x 1-3/4"	1
39	30M1000P	Hex Nut, 5/16"	1
40	40M1000P	Lock Washer, 5/16"	1
41	B-3861	Hitch Pin, 1/2" dia.	1
42	D-146P	Hairpin Cotter, Large	1
43	R-1882	Flat Grip	1
44	B-3307-S	Lock Pin	1
45	2M1040P	Hex Bolt, 5/16" x 2-1/2"	2
46	30M1200P	Hex Nut, 3/8"	2
47	B-1675P	Lock Nut, 3/8"	2
48	B-983	Hairpin Cotter, Small	2
49	R-2303	Clevis Pin, 5/16" x 1-3/8"	2
50	R-2304	Hamper Pull Rope	1
51	R-618	Special Washer, 5/16"	4
52	R-1806-10	Lower Tube	2
53	R-2194-10	Rear Tube	2
54	R-2195	Hamper Stop Rod	1
55	R-2426	Hamper/Wind Screen	1
56	R-2300-10	Hamper Side Tube, Upper	2
57	R-2301-10	Hamper Mount Tube	2
58	R-2307	Hamper Spring Rod	2
59	R-2320	External Retaining Ring, 5/8"	2
61	R-2257	Set Screw, 1/4"	2
62	11M1024P	Carriage Bolt, 5/16" x 1-1/2"	4
63	2M1036P	Hex Bolt, 5/16" x 2-1/4"	2
64	R-2463	Adjustment Label	1
65	L-1744-4	Serial Number Label	1

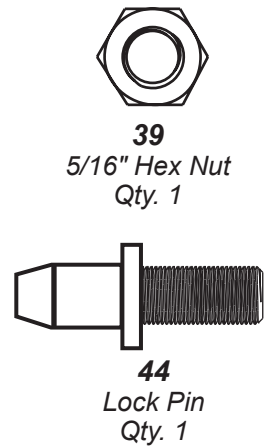
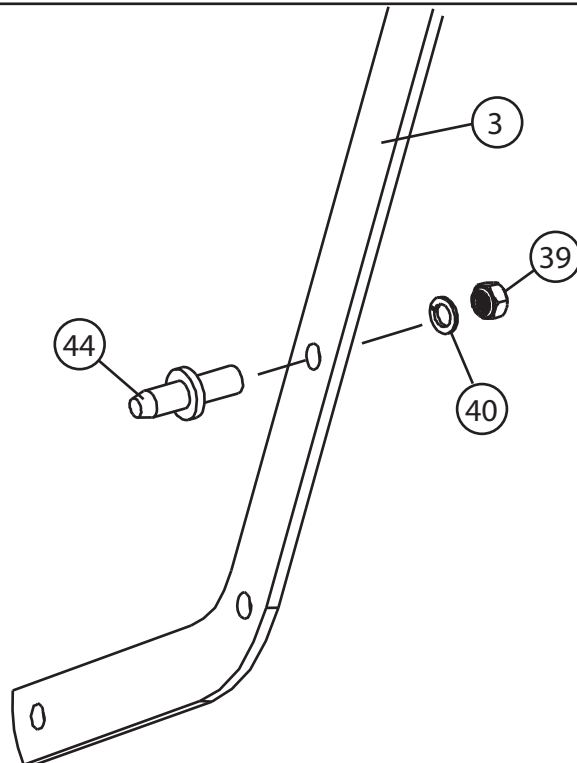


Step 1.



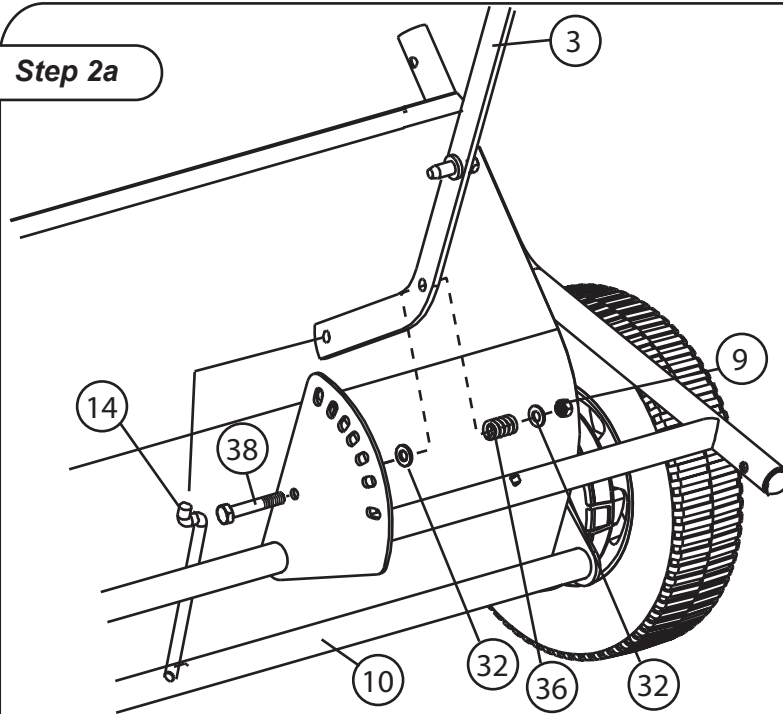
- a) Attach Upper Frame Assembly(35) to Brush Housing Assembly(31).
- b) Assemble Lift Link(14) as shown.

Step 2

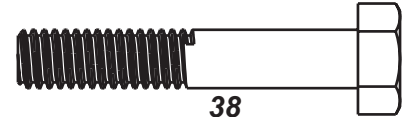


- a) Preassemble the Lock Pin(44) to the Lift Handle(3).

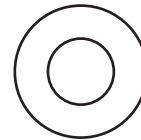
Step 2a



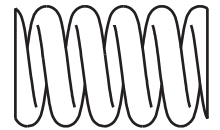
9
5/16" Nylon Lock Nut
Qty. 1



38
5/16" x 1-3/4", Hex Bolt
Qty. 1



32
5/16" Flat Washer
Qty. 2



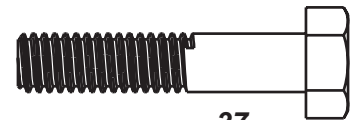
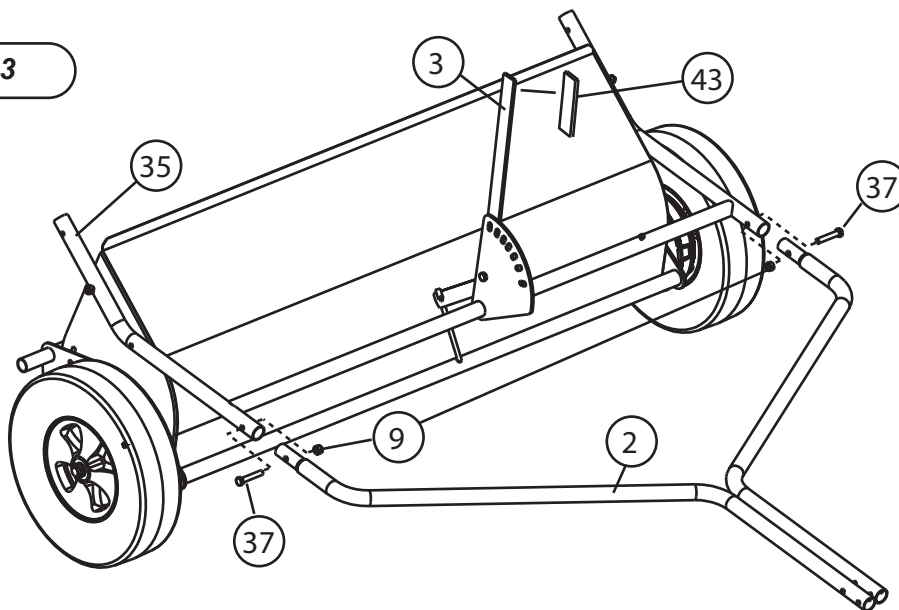
36
Spring
Qty. 1

a) Assemble Lift Handle(3) to Lift Link(14).

b) Install hex bolts (38) as shown. Add washer (32) and install handle in middle hole. NOTE: It may be necessary to put downward pressure on the Lower Pivot assembly (10) to line up the holes.

c) Complete the assembly by adding the spring, washer and locknut.

Step 3



37
5/16" x 1-1/2", Hex Bolt
Qty. 2



9
5/16" Nylon Lock Nut
Qty. 2

a) Install the Flat Grip (43) to the Lift Handle (3).

b) Install the Tow Tubes (2) to the Upper Frame Assembly (35).

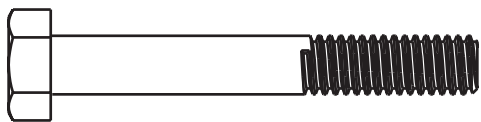
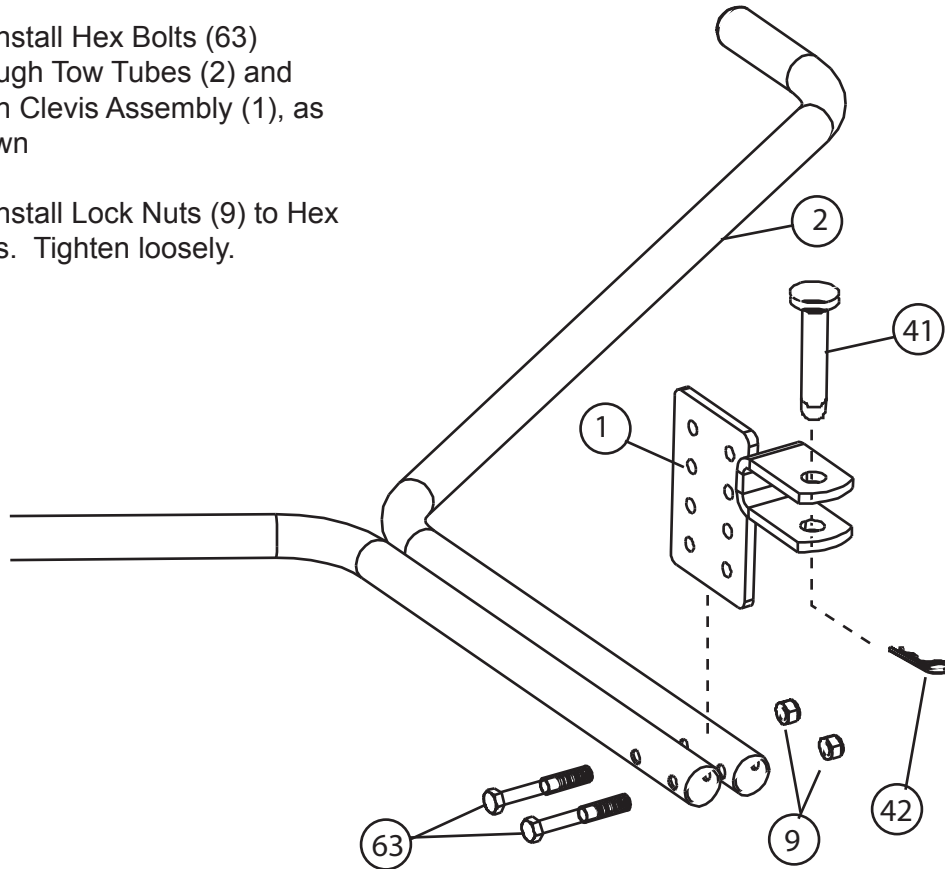
Step 4.

ATTACHING CLEVIS

Attach the Hitch Clevis Assembly(1) to the Tow Tubes (2), as shown.

a) Install Hex Bolts (63) through Tow Tubes (2) and Hitch Clevis Assembly (1), as shown

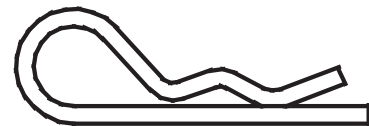
b) Install Lock Nuts (9) to Hex Bolts. Tighten loosely.



63
5/16" x 2-1/4", Hex Bolt
Qty. 2



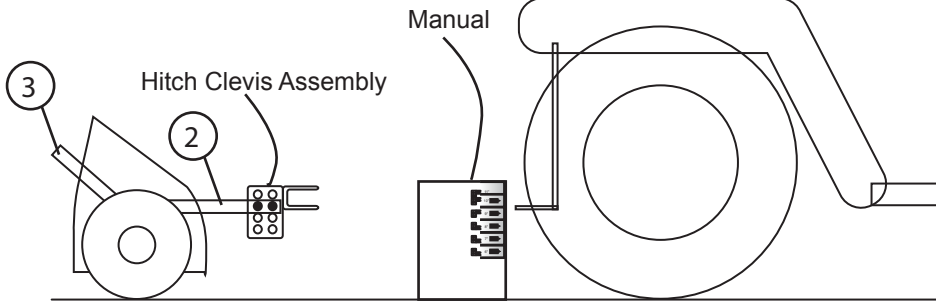
9
5/16" Nylon Lock Nut
Qty. 2



41
Hairpin Cotter, 1/8"
Qty. 1

Step 5.

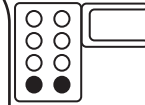
PATENT NO. US 6,640,532 B1



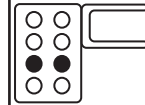
NOTE: Step 4 is for attaching the Hitch Clevis Assembly (1) to the Tow Tubes (2). When complete, the tow tubes (2) will be approximately level with the pavement:

- Using this page, set the manual on the floor and measure your hitch height as shown in illustration.
- Position the Hitch Clevis Assembly between the tow tubes for the proper height.
- Attach the Hitch Clevis Assembly to the tow tubes as shown in Step 4.
- Attach the sweeper to the tractor.
- Adjust the lift handle (3) to position the sweeper brushes to sweep at the same height as the mower blades.
- Recheck the Tow Tube for level. The tubes should be level or slightly higher at sweeper. Readjust clevis if necessary.
- When the proper Hitch Clevis level is achieved, securely tighten the Lock Nuts (9) installed in Step 4.

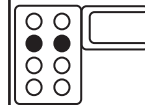
TOP EDGE OF PAGE



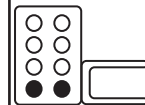
11"



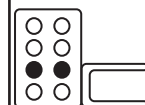
10" →



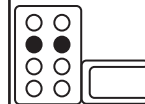
9" →



8" →



7" →



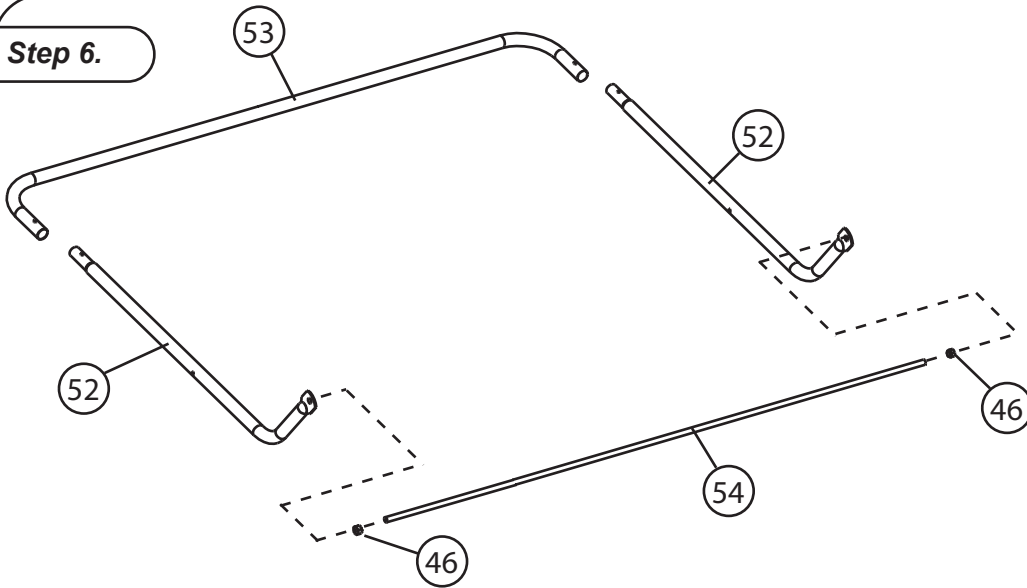
6" →



BOTTOM EDGE TO GROUND



Step 6.

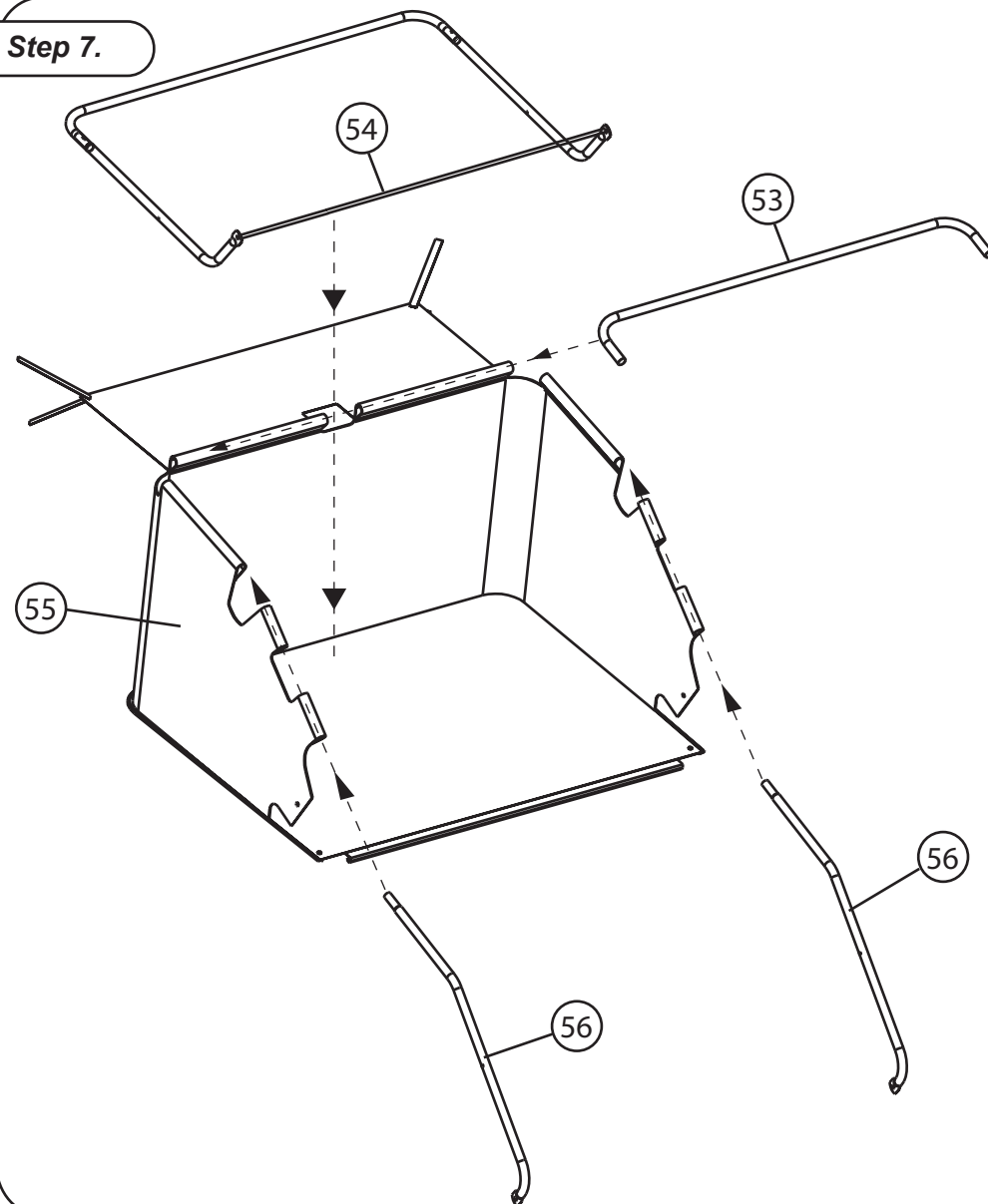


- a) Install hex nuts to hamper stop rod(54).
- b) Assemble rear tube(53) with holes up to lower tube(52).
- c) Install hamper stop rod(54) to lower tube(52).

46
3/8" Hex Nut
Qty. 2



Step 7.



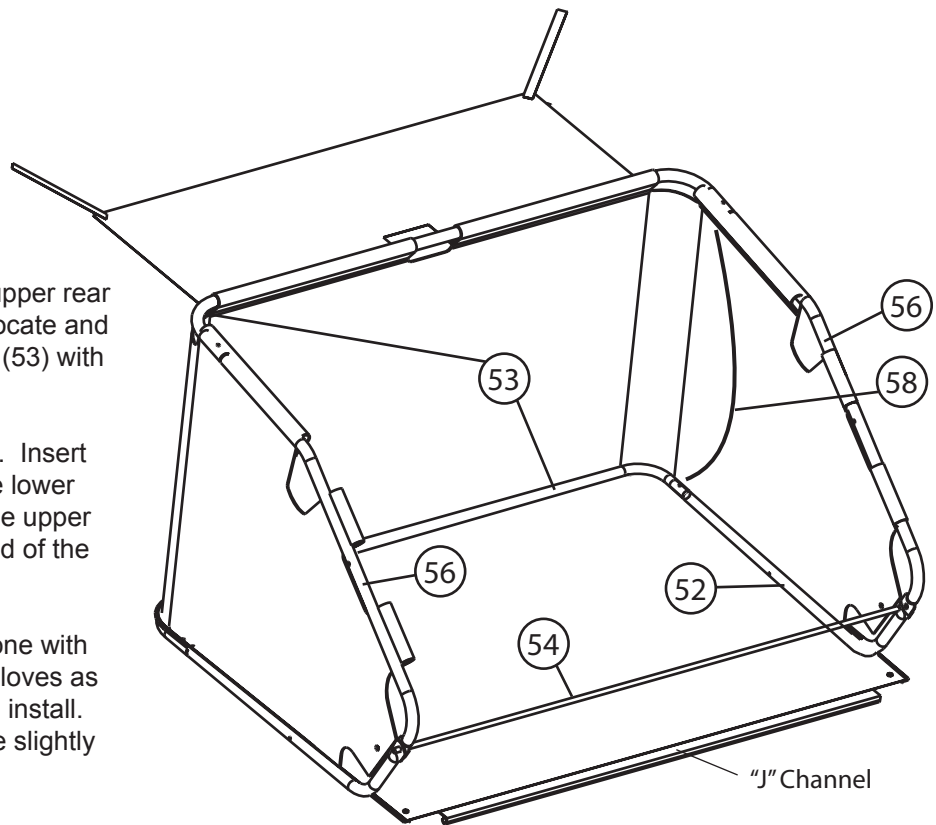
- a) Lower the assembly in Step 6 into the bottom of hamper(55).
- b) Assemble the rear tube(53) with the holes down as shown.
- c) Assemble the side tubes(56) into the rear tube (53) and into the hamper stop rod (54)

Step 8.

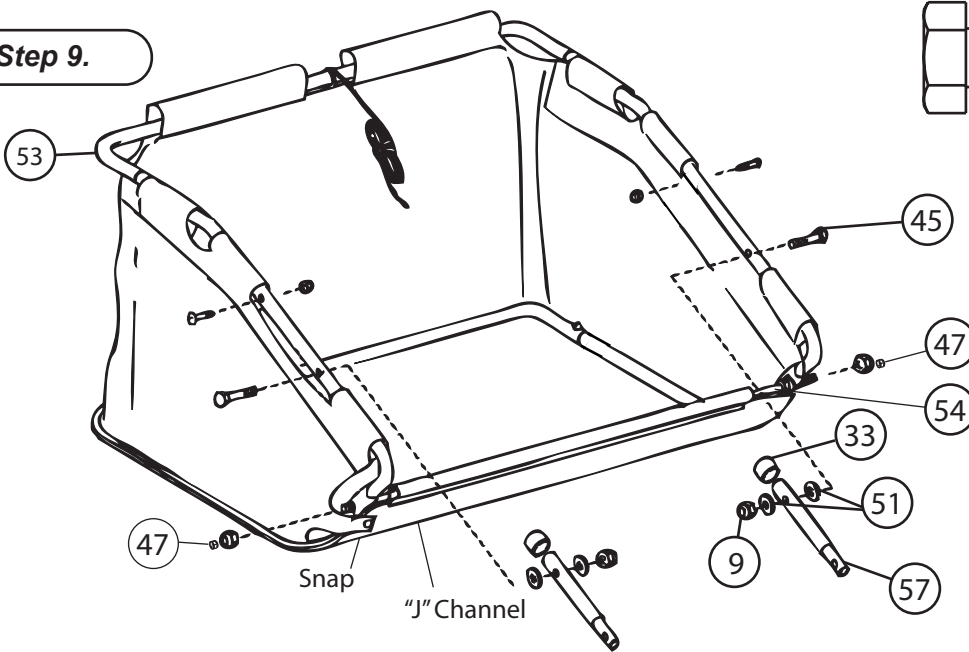
a) Locate and align the holes in the upper rear tube (53) with the side tubes (56). Locate and align the holes in the lower rear tube (53) with the bottom tube (52).

b) Stand in the bottom of the hopper. Insert the end of the spring rod (58) into the lower holes aligned in step a. Pull up on the upper rear tube (53) and insert the other end of the spring rod (58) into the upper holes.

Please note that this step must be done with eye protection (safety glasses) and gloves as the spring rod requires some force to install. After installation the spring rod will be slightly bent.



Step 9.



45
5/16" x 2-1/2", Hex Bolt
Qty. 2

9
5/16" Nylon Lock Nut
Qty. 2

51
5/16" Flat Washer
Qty. 4

47
3/8" Hex Lock Nut
Qty. 2

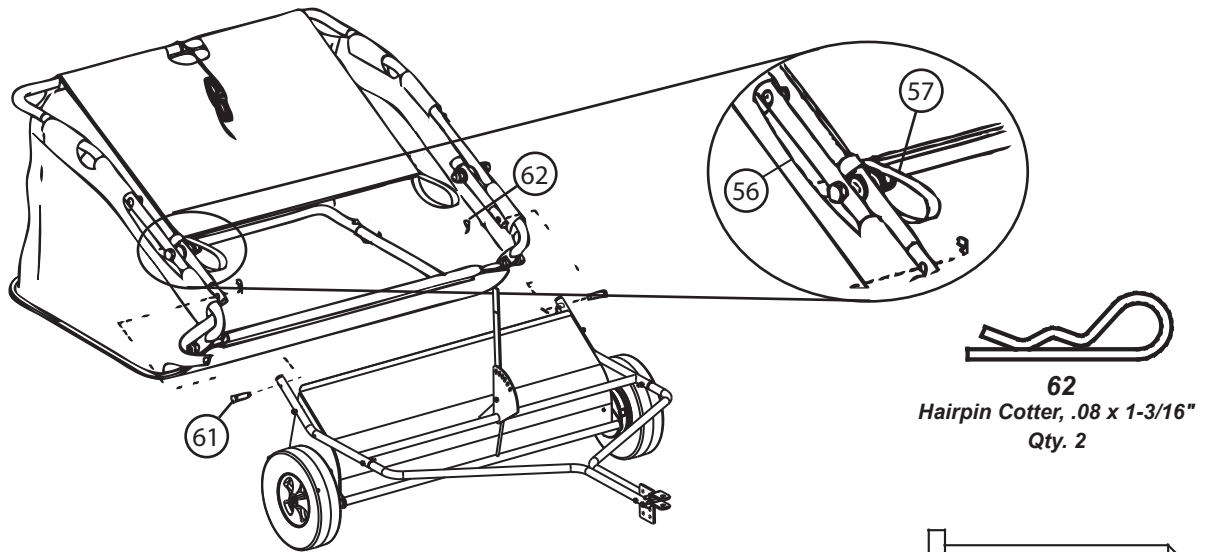
a.) Attach pull rope(50) to the middle of rear tube(53).

b) Attach hamper mount tube (57) with hex bolts, washers, and lock nuts as shown. Do not overtighten. Hamper mount tube must be free to pivot. Attach Vinyl Cap (33) to hamper mount tube (57) as shown.

c) Pull up the bottom of the hamper, and snap the "J" channel of the hamper bottom to the hamper stop rod (54). Secure the snaps as shown. bent.

d) Attach the Lock Nuts (47) to the Hamper Stop Rod (54).

Step 10.



a) The windscreen can be allowed to hang vertically in the back of the hamper or can be attached as shown. Thread the elastic loops over the washer as shown, or the loops can be placed between the hamper mount tube (57) and the side tubes (56).

b) Attach hamper assembly to back of sweeper.

c) Hamper should not touch ground. For adjustment see section "Leveling Hamper" at end of this manual.

62
Hairpin Cotter, .08 x 1-3/16"
Qty. 2

61
Clevis Pin, 5/16" x 2"
Qty. 2

OPERATION

INSTALLING YOUR SWEEPER



CAUTION: Avoid injury! Before installing sweeper make sure the hamper has been unloaded

1. Lock towing vehicle in park. (See Towing Vehicle Manual)
2. Align clevis with towing vehicle drawbar.
3. Install clevis pin through clevis and vehicle drawbar and secure the locking pin.

REMOVING YOUR SWEEPER



CAUTION: Avoid injury! Before removing sweeper make sure the hamper (55) has been unloaded of all grass and leaves.

1. Unload Hamper.
2. Secure towing vehicle parking brake.



CAUTION: Avoid injury! Keep feet away from under drawbar.

3. Remove cotter pin and drawbar pin.
4. Push away from towing vehicle.
5. Install drawbar pin and cotter pin roller towbar for storage.

TRANSPORTING YOUR SWEEPER

To place the Sweeper in the Transport Position:
Pull sideways on the Lift Handle (3).
Pull handle rearward away from the tractor.
Engage the Lohole.

To Place the Sweeper into the Operating Position:
Measure the height of the mower blade.
Adjust the Lift Handle (3) into a hole that allows the brushes to sweep at the height of the mowed grass.
Check to make sure that the Hamper (55) is not dragging on the ground.

OPERATING YOUR SWEEPER

Determining Weight for Cart



CAUTION: Avoid injury! Excessive towed load can cause loss of traction and loss of control on slopes. Stopping distance increases with speed and weight of towed load.

Total towed weight must not exceed combined weight of towing vehicle, ballast and operator.

The following maximum loaded weight capacity is the average weight of the sweeper plus the weight loaded in the hamper.

Model	Weight Capacity
STS-42 LXH	87 lbs dry 207 lbs with wet grass

CAUTION: Avoid injury! If additional weight is required when towing, add weight at or forward of the rear wheels. Adding weight behind the rear wheels can affect vehicle steering. Refer to your towing vehicle manual.

Towing capacity will vary with weight of towing vehicle and operator. Add the weight of your machine to operator weight to find the maximum capacity for towing.

Example:

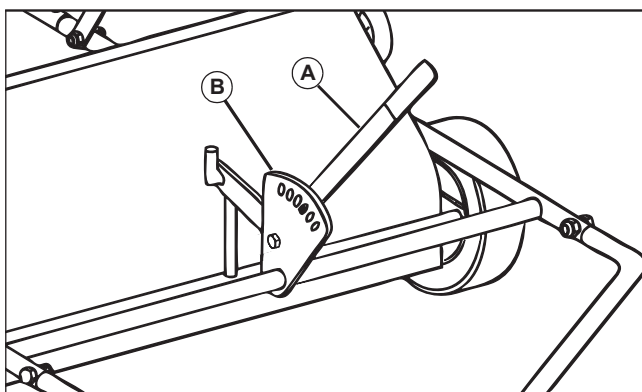
If Towing vehicle weighs:	400 lbs.
Add your weight:	200 lbs.
Combined weight equals	600 lbs.

To maintain stability in this example, you cannot safely tow more than 600 lbs. without first adding additional ballast to the towing vehicle.

ADJUSTING BRUSH HEIGHT

Normal lawn sweeping is accomplished when the brushes sweep at the same height as the mower cutting height.

NOTE: Setting brush height too low for sweeping conditions causes excessive wheel slippage. For maximum performance, adjust brush height as high as possible for the material and conditions.

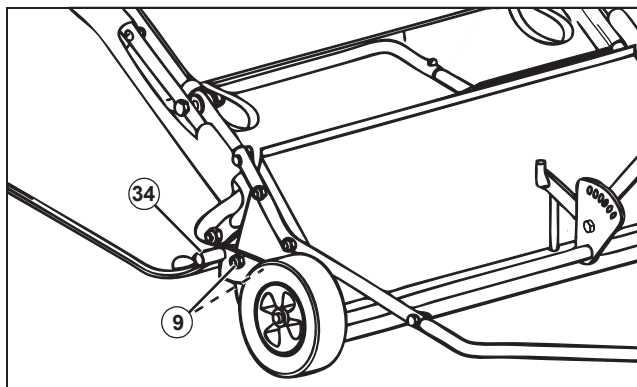


1. Pivot lift handle (A) away from lock plate (B) to disengage lock pin in handle from index hole in lock plate.
2. Move lift handle forward (towards the towing vehicle) to lower brush height, or back (toward the housing) to raise the brush height. Align lock pin with appropriate index hole in lock plate and release lift handle to secure height adjustment.

Brush Height	Sweeping Conditions
25mm (1 in.) to 50mm (2 in.)	Mowed lawns under normal conditions, or light leaves.
50mm (2 in.) to 75mm (3 in.)	High grass, heavy leaves or heavy grass clippings.

LEVELING HAMPER

After the brush height has been set, the tow tubes may require adjustment to level the tow tubes to the ground. This can be accomplished by removing the clevis and adjusting the clevis up or down, (refer to step 5) After the tow tubes are approximately level, the hamper stop assembly may have to be adjusted so the hamper assembly clears the ground.



Picture Note: Right front view shown.

1. Loosen slightly two nuts (9) securing each side of hamper stop bracket to brush housing (34). The rear bracket mounting holes in the brush housing are slotted, allowing the bracket to be pivoted up or down for adjustment.
2. Tap the hamper stop tube (34) up or down to adjust the resting position of the hamper so that it is approximately level. Tighten hardware.

OPERATING SPEED

The operating ground speed of the sweeper has a direct effect on how swept material is thrown into the hamper. Material will be thrown farther toward the back of the hamper as ground speed increases.

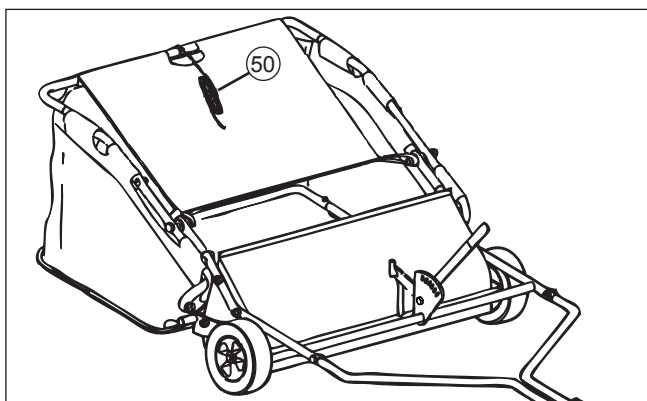
Operate the sweeper at a ground speed that will throw material to the back of the hamper. Under normal conditions approximately the speed of a brisk walk or a speed of 3 mph (40 feet in 9 seconds) works best.

EMPTYING HAMPER

CAUTION: Avoid injury! Before dumping: Park vehicle safely. (See towing vehicle manual).

Before backing up, make sure area is clear of bystanders, especially children.

NOTE: Avoid overfilling hamper, especially when sweeping freshly mowed grass or other moist material. Extremely heavy loads will be difficult to dump.



The hamper pull rope (50) can be routed to the tow vehicle operator's area and temporarily secured. The operator can then empty the hamper while seated in the operating position.

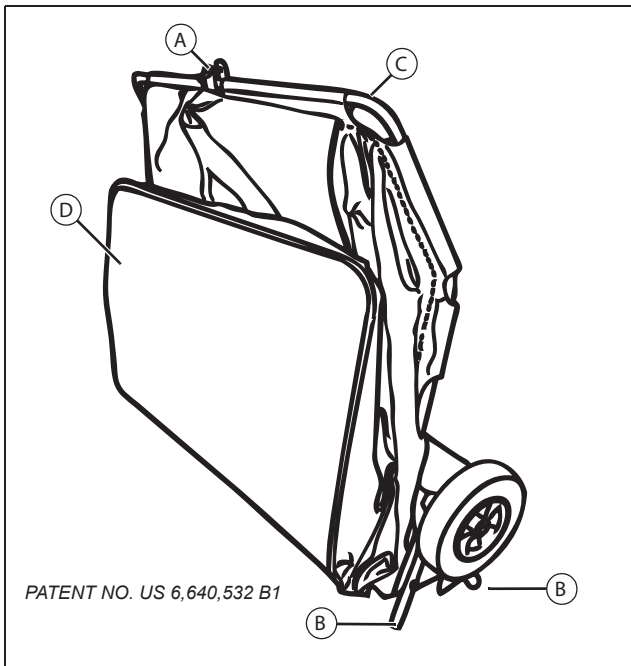
To empty hamper:

1. Stop towing machine.
2. Engage park brake.
3. Pull on hamper pull rope (50) to tilt hamper forward/upward, allowing material to exit the opening at the front of the bumper.

STORING

The sweeper can be tipped upright and stored against a wall using a minimum of space:

1. Remove any loose material from hamper and brush housing / drive assembly. The sweeper should be clean and dry before configuring for storage.
2. Remove small hairpin cotters and clevis pins securing hamper assembly to brush housing and remove hamper assembly.
3. Remove the hamper spring rods and collapse the hamper.
4. Remove large hairpin cotter and hitch pin from hitch clevis, if stored there.
5. Move lift handle to the index hole farthest forward (toward the tow tubes).
6. Roll sweeper to desired storage area, lift hitch clevis (A) to pivot sweeper to vertical position and resting on the tubes (B) at rear of sweeper (bottom of sweeper should face wall).
7. Lift the collapsed hamper assembly by the rear tubes, positioning the middle of the upper rear tube (C) at the center hamper cut-out over the opening in the hitch clevis (the inside of the hamper faces the lift handle and tow tubes, and the bottom (D) of the hamper facing outward). Lower the hamper to rest in the hitch clevis.



8. Replace hitch pin and large hairpin cotter.

FREQUENTLY ASKED QUESTIONS

Sweeper does not pick up:

1. The adjustment lever is set too low. A sweeper is not a dethatcher and cannot pull thatch, embedded needles or leaves from deep in the grass. The adjustment height should be set to the height of the mower deck blades.
2. The adjustment lever is set too high. Lower the adjustment lever.
3. There is a problem with the drive system. See the "Sweeper Wheels" section.

Grass goes over the top of the Hamper:

1. Forward speed is too fast. Slow the towing vehicle down. Best speed is 3mph or less. (3mph = 40 feet in 9 seconds).
2. Wind screen can be used to break wind coming over the top of the hamper. Slower forward speeds must be used when using the wind screen.

Sweeper Wheels....Not moving... Skip...Lock-up:

1. The brush is not turning or stops turning. The adjustment lever is set too low. Measure the cut height of the mower. Set the brush height to sweep the same as the cut height.
2. The drive dowel (21) located inside the small metal drive pinion (24 & 25) are sticking. Remove, clean, and lubricate the dowel with a light oil (WD40, 3 in 1). Do not use motor oil or grease. This should be done at least once per season. We recommend in the fall before storage as a minimum.
3. The drive pinion is worn and because of the wear it locks up the drive dowel. Replace the drive pinions. R-2485LH and R-2485RH.
4. The drive pinions when re-installed were installed backwards...ie. the right side (as if you are sitting on the tractor seat looking forward) was installed on the left. Remove the pinions. On the back side (opposite) the gears, there is a stamp "R" and "L". Make sure the pinion with the "R" is installed on the right side.

Hamper drags the ground:

1. The tow bars are not horizontal to the ground when attached to the tract. Remove the clevis and reinstall in a different set of holes. The clevis can be turned over to get additional adjustment. See Installation Step 5.
2. After adjustments in one are complete, adjustments to hamper stop bracket can be made. See "Leveling Hamper" section.

SERVICE

Do not allow material to remain in the hamper for extended periods of time. Clean the hamper using a water hose and allow to dry prior to storage.

Check all moving parts for wear and freedom of movement.

Routine lubrication of the pinion and dowel pin is required. We recommend in the fall before storage as a minimum. Remove, clean and lubricate the dowel pin (21) inside the drive pinions (24 & 25) with a light oil such as WD40, 3in1, or similar. Do not use motor oil or grease.

Check the drive pinions for wear. These are considered normal wear parts. Contact our Customer Service Department to purchase replacement drive pinions (Part Numbers R-2485RH and R-2485LH).

Lubricate the wheels annually with multipurpose grease.

Check all fasteners for tightness.

Inspect for rust on painted surfaces. Sand lightly and touch up damaged areas with enamel paint.

SPECIFICATIONS

Maximum Towing Speed.....	5 mph
Hamper Capacity.....	15 cu.ft.
Maximum Hamper Weight	120 lbs.
Empty Weight.....	87 lbs.
Maximum Towed Weight.....	207 lbs.

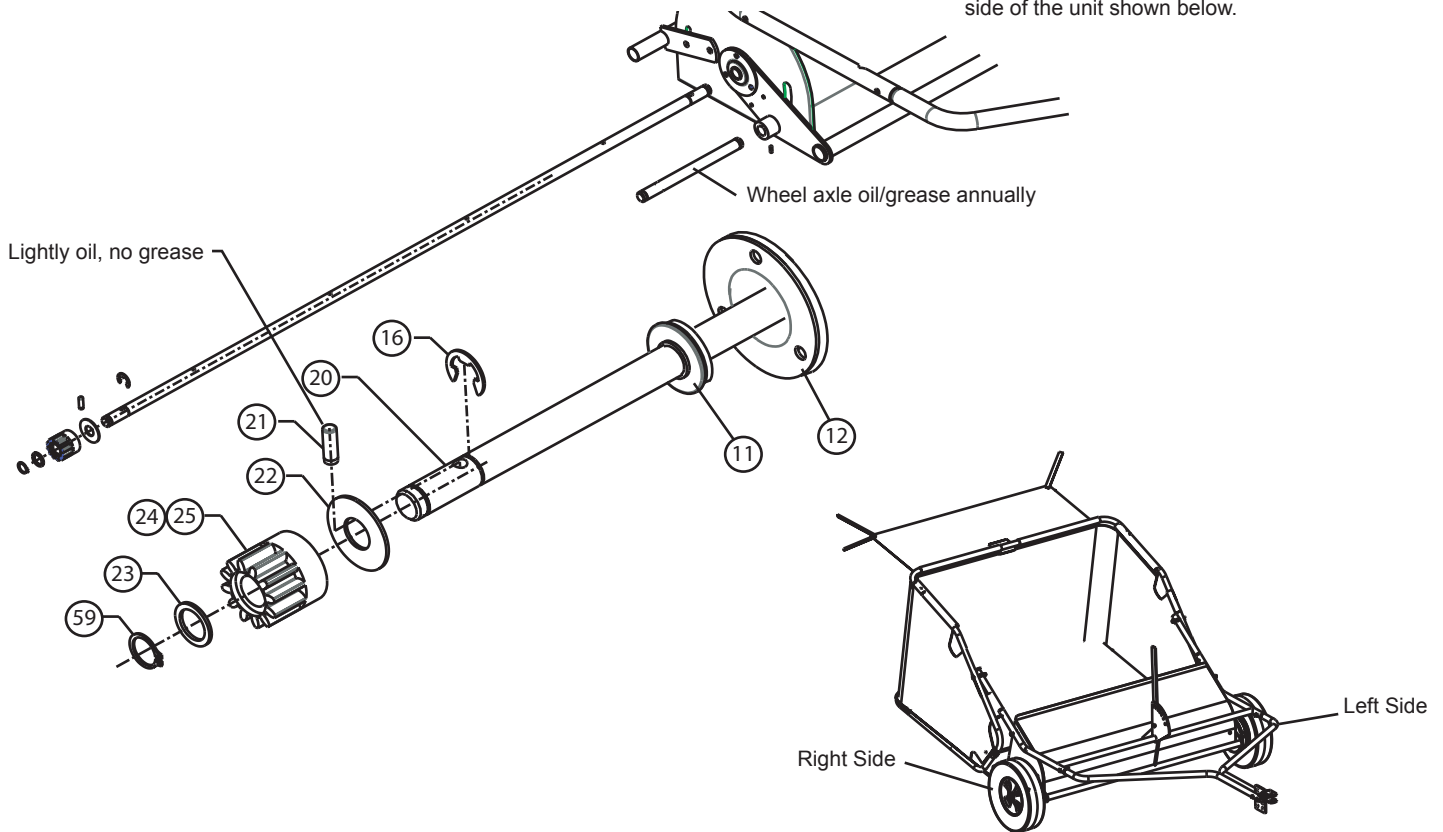
GETTING QUALITY SERVICE

Quality Continues with Quality Service

We provide a process to handle your questions or problems. Follow the steps below to get answers to any questions you may have about your product.

1. Refer to your attachment and machine operator manuals.
2. In North America or Canada, call 1-877 728-8224 and provide product serial number and model number.

Drive Pinion Reference



MANUFACTURER'S LIMITED WARRANTY FOR



Pull Behind Accessories

The limited warranty set forth below is given by Brinly-Hardy Company with respect to new merchandise purchased and used in the United States, its possessions and territories.

Brinly-Hardy Company warrants the products listed below against defects in material and workmanship, and will at its option, repair or replace, free of charge, any part found to be defective in materials or workmanship. This limited warranty shall only apply if this product has been assembled, operated, and maintained in accordance with the Operator's manual furnished with the product, and has not been subject to misuse, abuse, commercial use, neglect, accident, improper maintenance, alteration, vandalism, theft, fire, water, or damage because of other peril or natural disaster.

Normal Wear Parts or components thereof are subject to separate terms as follows: All normal wear parts or component failures will be covered on the product for a period of 90 days.

Parts found to be defective within the warranty period will be replaced at our expense. Our obligation under this warranty is expressly limited to the replacement or repair, at our option, of parts found to be defective in material and workmanship.

HOW TO OBTAIN SERVICE: Warranty parts replacements are available, ONLY WITH PROOF OF PURCHASE, through our Pull Behind Accessories Customer Service Department. Call 877-728-8224.

This limited warranty does not provide coverage in the following cases:

- a) Routine maintenance items such as lubricants and filters.
- b) Normal deterioration of the exterior finish due to use or exposure.
- c) Transportation and/or labor charges.
- d) The warranty does not include commercial and/or rental use.

No implied warranty, including any implied warranty of merchantability of fitness for a particular purpose, applies after the applicable period of express written warranty above as to the part as identified below. No other express warranty whether written or oral, except as mentioned above, given by any person or entity, including a dealer or retailer, with respect to any product, shall bind Brinly-Hardy Co. During the period of the warranty, the exclusive remedy is repair or replacement of the product as set forth above.

The provisions as set forth in this warranty provide the sole and exclusive remedy arising from the sale. Brinly-Hardy Co. shall not be liable for incidental or consequential loss or damage including, without limitation, expenses incurred for substitute or replacement lawn care services or for rental expenses to temporarily replace a warranted product.

Some states do not allow the exclusion or limitation of incidental or consequential damages, or limitations on how long an implied warranty lasts, so the above exclusions or limitations may not apply to you.

During the warranty period, the exclusive remedy is replacement of the part. In no event shall recovery of any kind be greater than the amount of the purchase price of the product sold. Alteration of safety features of the product shall void this warranty. You assume the risk and liability for loss, damage, or injury to you and your property and/or to others and their property arising out of the misuse or inability to use this product.

This limited warranty shall not extend to anyone other than the original purchaser or to the person for whom it was purchased as a gift.

HOW STATE LAW RELATES TO THIS WARRANTY: This limited warranty gives you specific legal rights, and you may also have other rights which vary from state to state.

IMPORTANT: The Warranty period stated below begins with the PROOF OF PURCHASE. Without the proof of purchase, the Warranty period begins from the date of manufacture determined by the serial number manufacturing date.

WARRANTY PERIOD:

The warranty period for this Lawn Sweeper is as follows: Steel Frame Parts - 3 Years. Tires, Wheels, and Drive are normal wear parts -90 days.