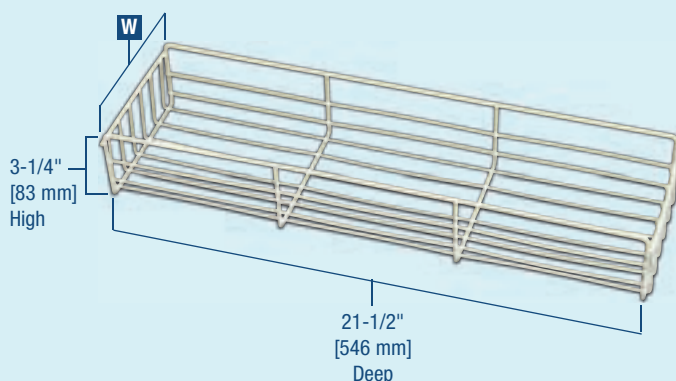





P5450FE-FN with BP10-FN

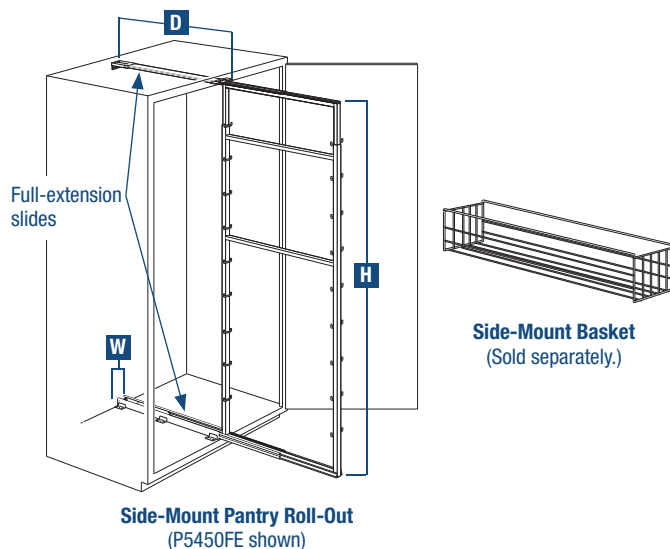


Side-Mount Basket
(BP6-W shown)

Side-Mount Pantry Roll-Out & Baskets

-  NEW KV eco-friendly
Frosted Nickel finish or White
- Basket height can be varied in 4" increments

- Side-Mount Baskets (sold separately) mount to hooks on side of Side-Mount Pantry Roll-Out



Stock #	Width	Finish	Units per Carton	Weight per Carton
SIDE-MOUNT BASKETS				
BP4-FN	4" [102 mm]	Frosted Nickel	10	13.7 lbs. [6.2 kg.]
BP5-FN	5" [127 mm]	Frosted Nickel	10	15.1 lbs. [6.8 kg.]
BP6-FN	6" [152 mm]	Frosted Nickel	10	16.2 lbs. [7.3 kg.]
BP7-FN	7" [178 mm]	Frosted Nickel	10	17.7 lbs. [8.0 kg.]
BP8-FN	8" [203 mm]	Frosted Nickel	10	18.6 lbs. [8.4 kg.]
BP9-FN	9" [229 mm]	Frosted Nickel	10	19.7 lbs. [8.9 kg.]
BP10-FN	10" [254 mm]	Frosted Nickel	10	21 lbs. [9.5 kg.]
BP12-FN	12" [305 mm]	Frosted Nickel	10	26.3 lbs. [11.9 kg.]
BP4-W	4" [102 mm]	White	10	13.7 lbs. [6.2 kg.]
BP5-W	5" [127 mm]	White	10	15.1 lbs. [6.8 kg.]
BP6-W	6" [152 mm]	White	10	16.2 lbs. [7.3 kg.]
BP7-W	7" [178 mm]	White	10	17.7 lbs. [8.0 kg.]
BP8-W	8" [203 mm]	White	10	18.6 lbs. [8.4 kg.]
BP9-W	9" [229 mm]	White	10	19.7 lbs. [8.9 kg.]
BP10-W	10" [254 mm]	White	10	21 lbs. [9.5 kg.]
BP12-W	12" [305 mm]	White	10	26.3 lbs. [11.9 kg.]

For Depth & Height, see photo above.

Stock #	Individual Product Dimensions			Finish	Units per Carton	Weight per Carton
	W Width	H Height	D Depth			
SIDE-MOUNT PANTRY ROLL-OUTS						
P4250FE-FN	3-13/16" [97 mm]	42-1/2 to 49-3/8" [1080-1254 mm]	22-1/4" [565 mm]	Frosted Nickel	1	18.6 lbs. [8.4 kg.]
P4650FE-FN	3-13/16" [97 mm]	46-1/2 to 53-3/8" [1181-1356 mm]	22-1/4" [565 mm]	Frosted Nickel	1	19.4 lbs. [8.8 kg.]
P5450FE-FN	3-13/16" [97 mm]	54-1/2 to 61-3/8" [1384-1559 mm]	22-1/4" [565 mm]	Frosted Nickel	1	20.8 lbs. [9.4 kg.]
P4250FE-W	3-13/16" [97 mm]	42-1/2 to 49-3/8" [1080-1254 mm]	22-1/4" [565 mm]	White	1	18.7 lbs. [8.5 kg.]
P4650FE-W	3-13/16" [97 mm]	46-1/2 to 53-3/8" [1181-1356 mm]	22-1/4" [565 mm]	White	1	19.8 lbs. [9.0 kg.]
P5050FE-W	3-13/16" [97 mm]	50-1/2 to 57-3/8" [1283-1457 mm]	22-1/4" [565 mm]	White	1	20 lbs. [9.1 kg.]
P5450FE-W	3-13/16" [97 mm]	54-1/2 to 61-3/8" [1384-1559 mm]	22-1/4" [565 mm]	White	1	20.9 lbs. [9.5 kg.]
P6500FE-W	3-13/16" [97 mm]	65 to 71-7/8" [1651-1826 mm]	22-1/4" [565 mm]	White	1	22.5 lbs. [10.2 kg.]

Sliding assembly width is equal to Pantry Roll-Out width plus total width of baskets being applied. Load capacity not to exceed 100 lbs.

See page 62 - 63 for recommended cabinet dimensions and clearances.

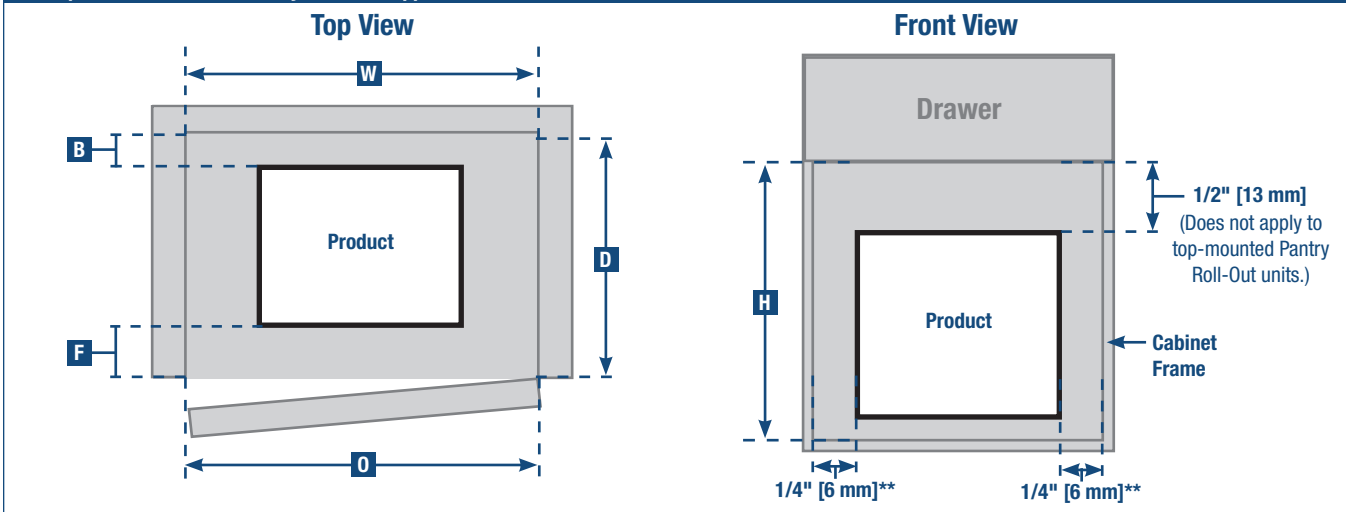
Tel. 800.253.1561
Fax 877.636.3290
www.kv.com



Cabinet Dimensions

Stock #	Min. Cabinet Opening		Minimum Interior Cabinet Dimensions			Minimum Cabinet Clearances						
	O	Width	W	Width	H	Height	D	Depth	F	Front	B	Back
WOOD & WIRE												
Slide-Out Base Blind Corner Units												
BBCS-L-15-FN	15"	[381 mm]	26-11/16"	[678 mm]	20-1/4"	[514 mm]	22-11/16"	[576 mm]	1/4"	[6 mm]	1/4"	[6 mm]
BBCT-L-15-FN	15"	[381 mm]	26-11/16"	[678 mm]	27-1/4"	[692 mm]	22-11/16"	[576 mm]	1/4"	[6 mm]	1/4"	[6 mm]
BBCS-R-15-FN	15"	[381 mm]	26-11/16"	[678 mm]	20-1/4"	[514 mm]	22-11/16"	[576 mm]	1/4"	[6 mm]	1/4"	[6 mm]
BBCT-R-15-FN	15"	[381 mm]	26-11/16"	[678 mm]	27-1/4"	[692 mm]	22-11/16"	[576 mm]	1/4"	[6 mm]	1/4"	[6 mm]
Center-Mount Pantry Roll-Outs												
P1875CM-FN	*	*			18-3/4"	[476 mm]	22-1/4"	[565 mm]	-		-	
P2500CM-FN	*	*			22-1/2"	[572 mm]	22-1/4"	[565 mm]	-		-	
P4250CM-FN	*	*			42-1/2"	[1080 mm]	22-1/4"	[565 mm]	-		-	
P4650CM-FN	*	*			46-1/2"	[1181 mm]	22-1/4"	[565 mm]	-		-	
P5450CM-FN	*	*			54-1/2"	[1384 mm]	22-1/4"	[565 mm]	-		-	
Pot & Pan Pantry Organizer												
PAN1700TM-FN	18"	[457 mm]	18"	[457 mm]	24"	[610 mm]	24"	[610 mm]	-		1/2"	[13 mm]
Pot & Pan Caddy												
SPS21-FN	20"	[508 mm]	20"	[508 mm]	14-3/4"	[375 mm]	22-3/4"	[578 mm]	1/4"	[6 mm]	1/4"	[6 mm]
Wood & Wire Tray Divider Roll-Outs												
TDRO-FNW-6	6"	[152 mm]	6-7/16"	[164 mm]	14-1/2"	[368 mm]	22-3/4"	[578 mm]	1/4"	[6 mm]	1/4"	[6 mm]
TDRO-FNW-9	9"	[229 mm]	9-3/16"	[233 mm]	14-1/2"	[368 mm]	22-3/4"	[578 mm]	1/4"	[6 mm]	1/4"	[6 mm]
SPECIALTY												
Appliance Lift (see page 59 for additional clearances)												
HAL-20	Platform Width + 1" [25 mm]	Platform Width + 2-1/2" [64 mm]			25" [634 mm]		Maximum of 14-1/2" [368 mm] OR platform depth		1/2" [13 mm]		1/2" [13 mm]	
Hampers												
PSH15-160-W	15"	[381 mm]	15-5/8"	[397 mm]	21-9/16"	[548 mm]	19-5/8"	[498 mm]	1/4"	[6 mm]	1/4"	[6 mm]
PDMSH15-1-60-W	15"	[381 mm]	15-5/8"	[397 mm]	21-9/16"	[548 mm]	19-5/8"	[498 mm]	1/4"	[6 mm]	1/4"	[6 mm]
H1215-W	12"	[305 mm]	12-5/8"	[321 mm]	15-1/8"	[384 mm]	19-1/4"	[489 mm]	1/4"	[6 mm]	1/4"	[6 mm]
H1218-W	12"	[305 mm]	12-5/8"	[321 mm]	19-3/8"	[492 mm]	19-1/4"	[489 mm]	1/4"	[6 mm]	1/4"	[6 mm]
H1515-W	15"	[381 mm]	15-5/8"	[397 mm]	15-1/8"	[384 mm]	19-1/4"	[489 mm]	1/4"	[6 mm]	1/4"	[6 mm]
H1518-W	15"	[381 mm]	15-5/8"	[397 mm]	19-3/8"	[492 mm]	19-1/4"	[489 mm]	1/4"	[6 mm]	1/4"	[6 mm]
MH1215-W	12"	[305 mm]	12-5/8"	[321 mm]	15-1/8"	[384 mm]	16-1/2"	[419 mm]	1/4"	[6 mm]	1/4"	[6 mm]
TO1710-1-W	11"	[279 mm]	11"	[279 mm]	18-1/4"	[464 mm]	19-5/16"	[491 mm]	1/4"	[6 mm]	1/4"	[6 mm]
TO1710-W	11"	[279 mm]	11"	[279 mm]	18-1/4"	[464 mm]	19-5/16"	[491 mm]	1/4"	[6 mm]	1/4"	[6 mm]
TO1713-1-W	14"	[356 mm]	14"	[356 mm]	18-1/4"	[464 mm]	19-5/16"	[491 mm]	1/4"	[6 mm]	1/4"	[6 mm]
TO1713-W	14"	[356 mm]	14"	[356 mm]	18-1/4"	[464 mm]	19-5/16"	[491 mm]	1/4"	[6 mm]	1/4"	[6 mm]
TO1716-1-W	17"	[432 mm]	17"	[432 mm]	18-1/4"	[464 mm]	19-5/16"	[491 mm]	1/4"	[6 mm]	1/4"	[6 mm]
TO1716-W	17"	[432 mm]	17"	[432 mm]	18-1/4"	[464 mm]	19-5/16"	[491 mm]	1/4"	[6 mm]	1/4"	[6 mm]
Slide-Out Towel Bar												
P79 3 ANO	5-5/16"	[135 mm]	5-5/16"	[135 mm]	1-13/16"	[46 mm]	18-1/4"	[464 mm]	1/4"	[6 mm]	1/4"	[6 mm]
TB-3P-W	7-1/4"	[184 mm]	7-1/4"	[184 mm]	4-1/16"	[103 mm]	19-1/2"	[495 mm]	1/4"	[6 mm]	1/4"	[6 mm]

Example of Frameless / Euro-Style Cabinet Application



** Slide-out Base Blind Corner Units and Base Cabinet Organizers require 1/2" side clearance on one side, not both.



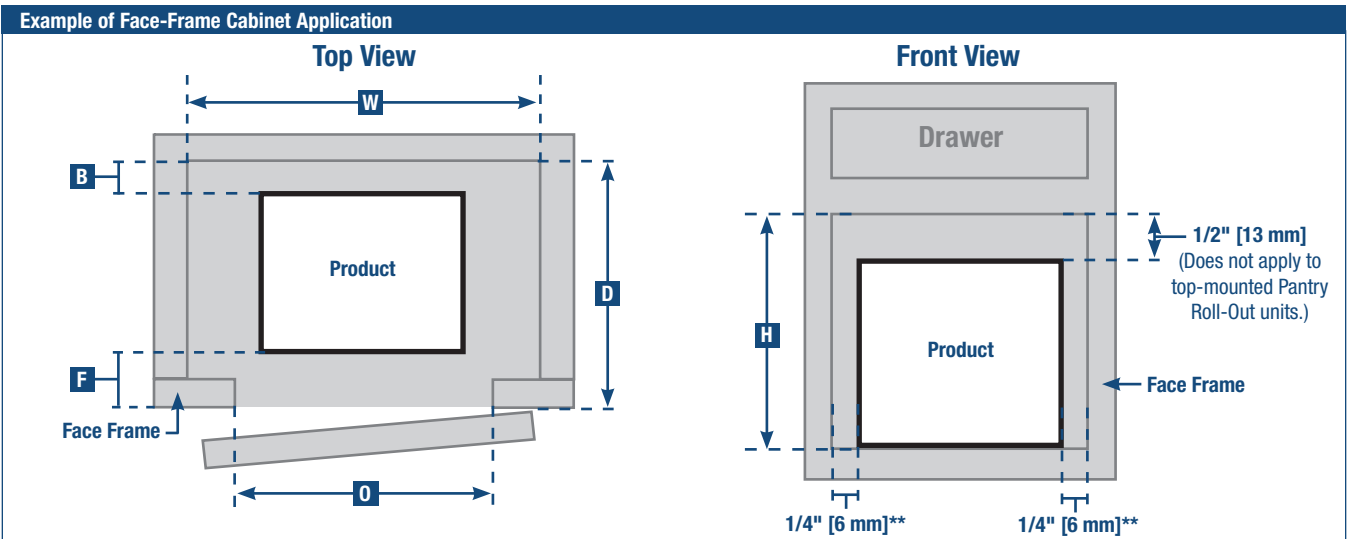
Tel. 800.253.1561
 Fax 877.636.3290
 www.kv.com

* Minimum Cabinet Opening Width AND Minimum Cabinet Interior Width equals total width of completely assembled unit with all baskets applied, plus 1/2" clearance per side (1" total clearance for center-mounted units, 1/2" side clearance for side-mounted units).

Dimensions shown are recommended minimum cabinet dimensions and clearances.

Cabinet Dimensions

Stock #	Min. Cabinet Opening	Minimum Interior Cabinet Dimensions			Minimum Cabinet Clearances	
	O Width	W Width	H Height	D Depth	F Front	B Back
WIRE						
Center-Mount Pantry Roll-Out						
P4250CM-W	*	*	42-1/2" [1080 mm]	22-1/4" [565 mm]	-	-
P4650CM-W	*	*	46-1/2" [1080 mm]	22-1/4" [565 mm]	-	-
P5450CM-W	*	*	54-1/2" [1384 mm]	22-1/4" [565 mm]	-	-
P1875CM-W	*	*	18-3/4" [476 mm]	22-1/4" [565 mm]	-	-
P2500CM-W	*	*	22-1/2" [572 mm]	22-1/4" [565 mm]	-	-
Side-Mount Pantry Roll-Out						
P4250FE-W	*	*	42-1/2" [1080 mm]	22-1/4" [565 mm]	-	-
P4650FE-W	*	*	46-1/2" [1181 mm]	22-1/4" [565 mm]	-	-
P5050FE-W	*	*	50-1/2" [1283 mm]	22-1/4" [565 mm]	-	-
P5450FE-W	*	*	54-1/2" [1384 mm]	22-1/4" [565 mm]	-	-
P6500FE-W	*	*	65" [1651 mm]	22-1/4" [565 mm]	-	-
P4250FE-FN	*	*	42-1/2" [1080 mm]	22-1/4" [565 mm]	-	-
P4650FE-FN	*	*	46-1/2" [1181 mm]	22-1/4" [565 mm]	-	-
P5450FE-FN	*	*	54-1/2" [1384 mm]	22-1/4" [565 mm]	-	-
Vegetable Bin Assembly						
VBA11-3-FN	11" [279 mm]	11-1/2" [292 mm]	20-1/4" [514 mm]	21-3/4" [552 mm]	1/4" [6 mm]	1/4" [6 mm]
VBA11-3-W	11" [279 mm]	11-1/2" [292 mm]	20-1/4" [514 mm]	21-3/4" [552 mm]	1/4" [6 mm]	1/4" [6 mm]
VBA14-3-W	14" [356 mm]	14-1/2" [368 mm]	20-1/4" [514 mm]	21-3/4" [552 mm]	1/4" [6 mm]	1/4" [6 mm]
Base Cabinet Organizer						
BC020E-W	*	*	21-11/16" [551 mm]	22-3/16" [564 mm]	1/4" [6 mm]	1/4" [6 mm]
BC02456-W	*	*	25-1/2" [648 mm]	22-1/2" [572 mm]	1/4" [6 mm]	1/4" [6 mm]
BC02456DM-W	*	*	25-1/2" [648 mm]	22-1/2" [572 mm]	1/4" [6 mm]	1/4" [6 mm]
Base Roll-Out						
B1700-W	*	*	19-3/4" [502 mm]	22-3/16" [564 mm]	1/4" [6 mm]	1/4" [6 mm]
Multi-Use Baskets						
GUSB11-FN	12" [305 mm]	12-5/8" [321 mm]	15-15/16" [405 mm]	19-1/4" [489 mm]	1/4" [6 mm]	1/4" [6 mm]
GUSB14-FN	15" [381 mm]	15-5/8" [397 mm]	15-15/16" [405 mm]	19-1/4" [489 mm]	1/4" [6 mm]	1/4" [6 mm]
USB11-W	12" [305 mm]	12-5/8" [321 mm]	16" [406 mm]	19-1/4" [489 mm]	1/4" [6 mm]	1/4" [6 mm]
USB14-W	15" [381 mm]	15-5/8" [397 mm]	16" [406 mm]	19-1/4" [489 mm]	1/4" [6 mm]	1/4" [6 mm]
USB11TM-W	12" [305 mm]	12-5/8" [321 mm]	9-13/16" [249 mm]	19-5/8" [498 mm]	1/4" [6 mm]	1/4" [6 mm]
USB14TM-W	15" [381 mm]	15-5/8" [397 mm]	9-13/16" [249 mm]	19-5/8" [498 mm]	1/4" [6 mm]	1/4" [6 mm]
MU11-W	12" [305 mm]	12-5/8" [321 mm]	5-11/16" [144 mm]	19-1/4" [489 mm]	1/4" [6 mm]	1/4" [6 mm]
MU14-W	15" [381 mm]	15-5/8" [397 mm]	5-11/16" [144 mm]	19-1/4" [489 mm]	1/4" [6 mm]	1/4" [6 mm]
Tray Divider Roll-Outs						
TDR06-W	6" [152 mm]	6-1/2" [165 mm]	20" [508 mm]	22-1/2" [572 mm]	1/4" [6 mm]	1/4" [6 mm]
TDR09-W	9" [229 mm]	9-1/2" [241 mm]	20" [508 mm]	22-1/2" [572 mm]	1/4" [6 mm]	1/4" [6 mm]



** Slide-out Base Blind Corner Units and Base Cabinet Organizers require 1/2" side clearance on one side, not both.

* Minimum Cabinet Opening Width AND Minimum Cabinet Interior Width equals total width of completely assembled unit with all baskets applied, plus 1/2" clearance per side (1" total clearance for center-mounted units, 1/2" side clearance for side-mounted units).

Dimensions shown are recommended minimum cabinet dimensions and clearances.

Tel. 800.253.1561
Fax 877.636.3290
www.kv.com

