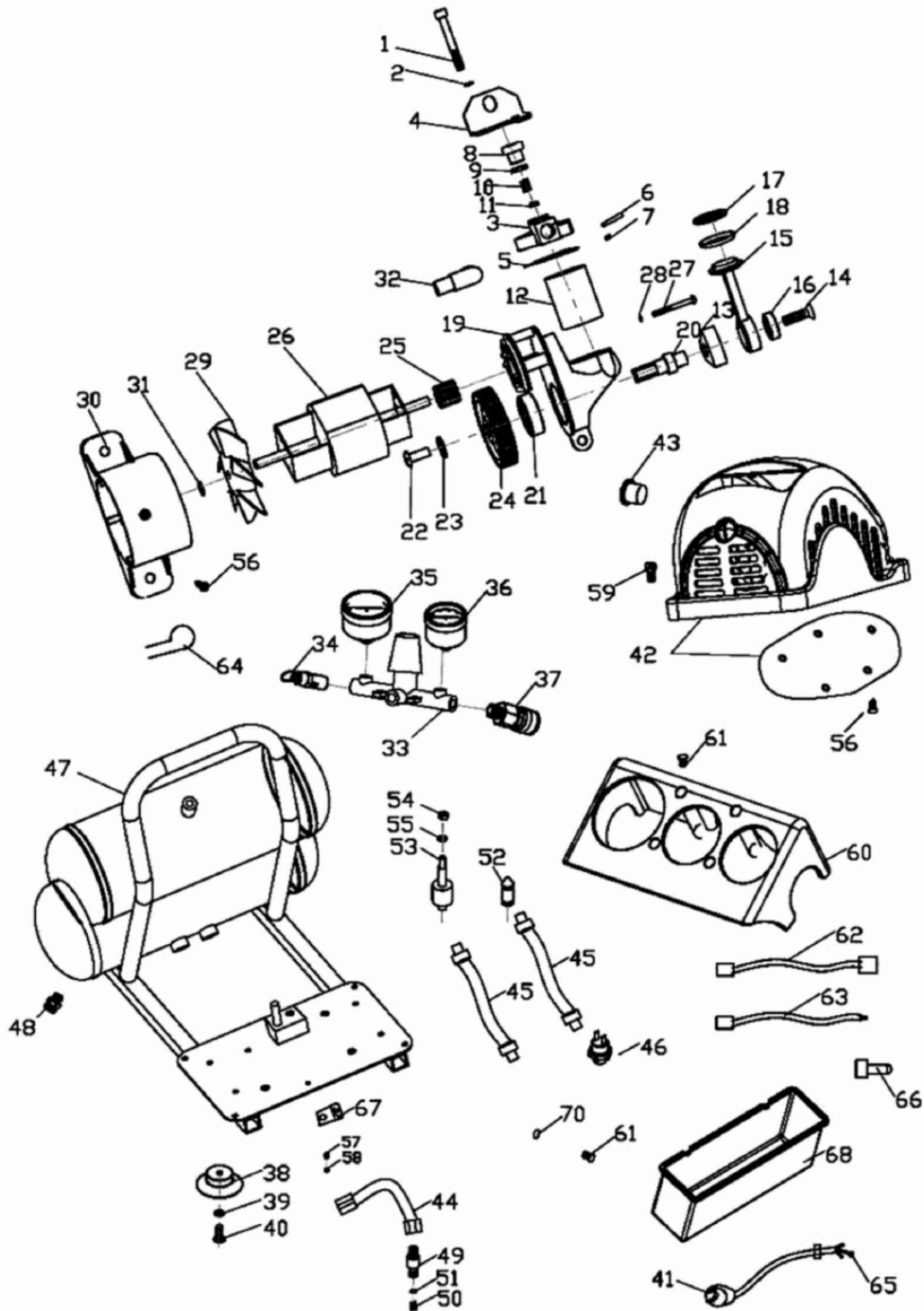


# EXPLODED VIEW - Model # 51735, 8465, 8682



## PARTS LIST - Model # 51735, 8465, 8682

| NUM | SPECIFICATION            | QTY |
|-----|--------------------------|-----|
| 1   | BOLT M5X55               | 3   |
| 2   | SPRING WASHER M5         | 3   |
| 3   | CYLINDER HEAD            | 1   |
| 4   | SUPPORT OF CYLINDER HEAD | 1   |
| 5   | GASKET OF CYLINDER HEAD  | 1   |
| 6   | INLET VALVE REED         | 1   |
| 7   | COVER OF VALVE REED      | 1   |
| 8   | PLUG OF EXHAUST          | 1   |
| 9   | O-RING OF PLUG           | 1   |
| 10  | INLET SPRING             | 1   |
| 11  | GASKET FOR EXHAUSTING    | 1   |
| 12  | CYLINDER                 | 1   |
| 13  | ECCENTRIC                | 1   |
| 14  | SCREW M6X15              | 1   |
| 15  | CONROD                   | 1   |
| 16  | BEARING OF CONROD        | 1   |
| 17  | COVER OF CONROD          | 1   |
| 18  | PISTON RING              | 1   |
| 19  | CRANKCASE                | 1   |
| 20  | AXLE                     | 1   |
| 21  | BEARING OF CRANKCASE     | 1   |
| 22  | SCREW M5X10              | 1   |
| 23  | WASHER M5                | 1   |
| 24  | DRIVEN GEER              | 1   |
| 25  | ACTIVE GEER              | 1   |
| 26  | MOTOR                    | 1   |
| 27  | SCREW M3X30              | 2   |
| 28  | SPRING WASHER M3         | 2   |
| 29  | FAN                      | 1   |
| 30  | COVER OF MOTOR           | 1   |
| 31  | CIRCLIP M6               | 1   |
| 32  | EXHAUST ELBOW            | 1   |
| 33  | REGULATOR MANIFOLD       | 1   |
| 34  | SAFETY VALVE             | 1   |

| NUM | SPECIFICATION              | QTY |
|-----|----------------------------|-----|
| 35  | Y50 PRESSURE GAUGE         | 1   |
| 36  | Y40 PRESSURE GAUGE         | 1   |
| 37  | QUICK COUPLER              | 1   |
| 38  | CUSHION                    | 4   |
| 39  | WASHER M5                  | 4   |
| 40  | SCREW M5X20                | 4   |
| 41  | POWER CORD                 | 1   |
| 42  | SHROUD                     | 1   |
| 43  | ELECTRIC SWITCH            | 1   |
| 44  | EXHAUST TUBE               | 1   |
| 45  | RUBBER HOSE                | 2   |
| 46  | PRESSURE SWITCH            | 1   |
| 47  | 2GAL TWIN TANK             | 1   |
| 48  | DRAIN VALVE                | 1   |
| 49  | CONNECT OF CHECK VALVE     | 1   |
| 50  | SPRING OF CHECK VALVE      | 1   |
| 51  | SEAL GASKET OF CHECK VALVE | 1   |
| 52  | SUPPORT RUBBER             | 3   |
| 53  | SUPPORT BOLT               | 1   |
| 54  | NUT M6                     | 1   |
| 55  | SPRING WASHER M6           | 1   |
| 56  | TAPPING SCREW              | 6   |
| 57  | SCREW M4X6                 | 1   |
| 58  | WASHER M4                  | 1   |
| 59  | SCREW M6X25                | 4   |
| 60  | CONTROL PANEL OF MANIFOLD  | 1   |
| 61  | SCREW M4X10                | 6   |
| 62  | DUAL END CORD              | 1   |
| 63  | SINGAL END CORD            | 1   |
| 64  | R TYPE WRAP                | 2   |
| 65  | CABLE CONNECTOR            | 1   |
| 66  | CAP PRESSF FOR CORD        | 2   |
| 67  | GROUNDING SIGNAL           | 1   |
| 68  | TOOL BOX                   | 1   |