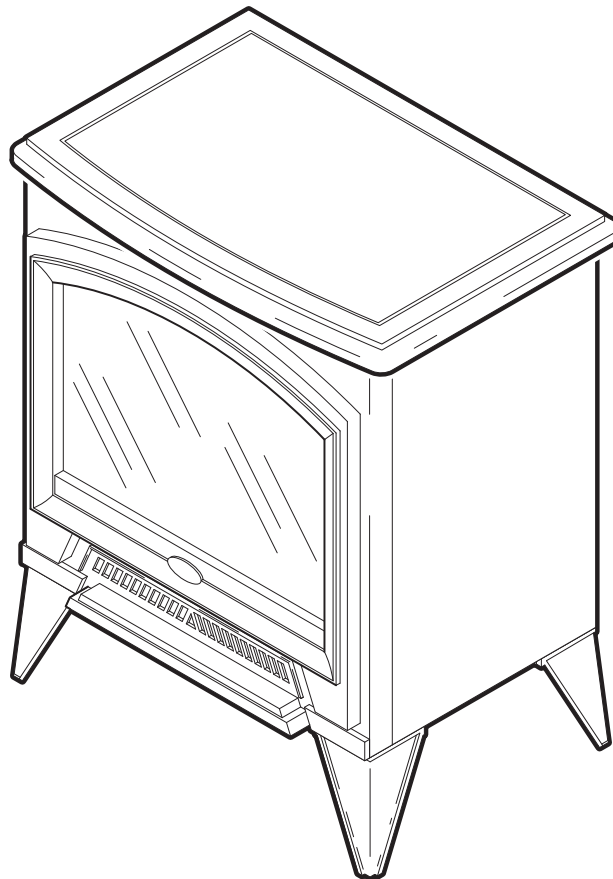


SERVICE MANUAL

FOR

COMPACT STOVE Model CS1205

Dimplex[®]



7400290000R03

Table of Contents

OPERATION 2
REPLACEMENT PARTS..... 4
WIRING DIAGRAM 5
TO REPLACE LIGHT BULBS..... 6
TO REPLACE LAMPHOLDERS..... 7
TO REPLACE ON/OFF AND HEATER SWITCHES 8
TO REPLACE HEATER ASSEMBLY 9
TO REPLACE TERMINAL BLOCK..... 10
TO REPLACE FLAME MOTOR/FLAME ROD..... 11
TO REPLACE THE POWER CORD..... 12
TROUBLESHOOTING GUIDE 13

OPERATION

Compact Stove Controls

A. Main on/off switch

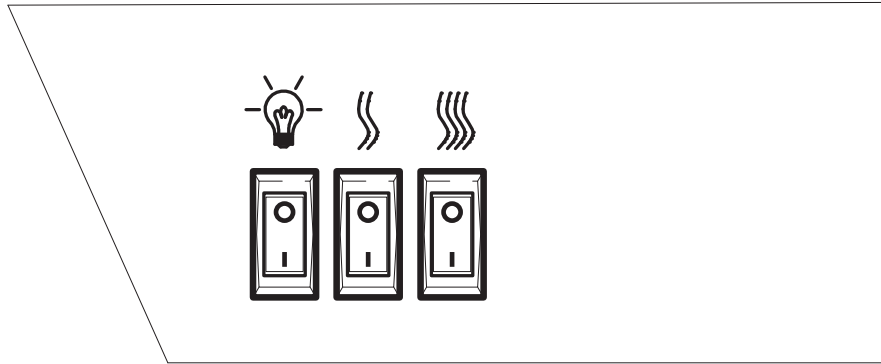
1. The fireplace has a manual power ON/OFF switch located on the lower right side of the stove.
2. To operate, press the switch to turn the unit on or off

B. Low Heat Switch

Press this switch to turn the stove to low heat.

C. High Heat Switch

Press this switch to turn the stove to high heat.

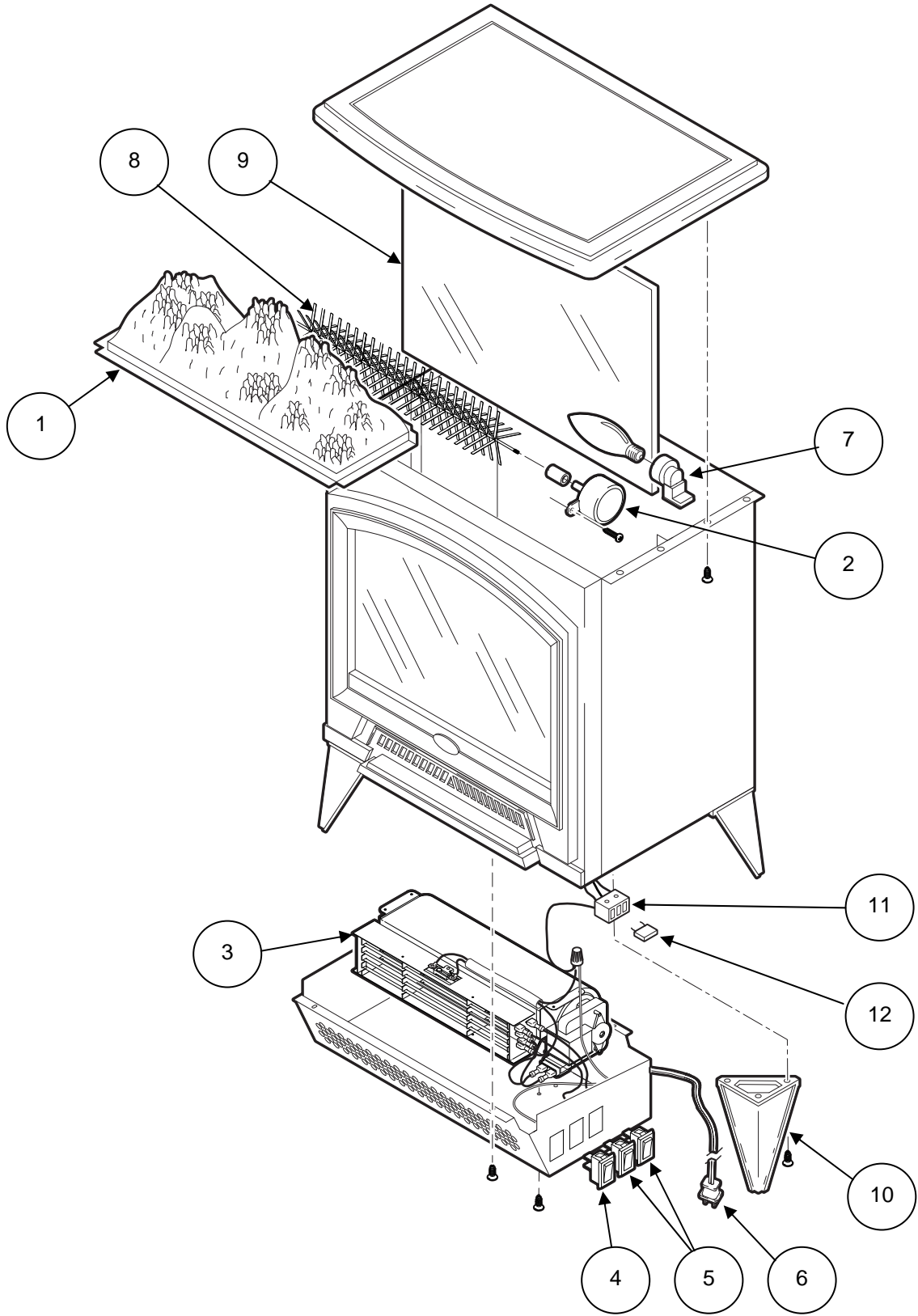


RESETTING THE TEMPERATURE CUTOFF SWITCH

Should the heater overheat, an automatic cut out will turn the heater off and it will not come back on without being reset. It can be reset by switching the MAIN ON/OFF SWITCH to OFF and waiting 5 minutes before switching the unit back on.

CAUTION

If you need to continuously reset the heater, unplug the unit and call Dimplex North America Limited at 1-888-346-7539.



REPLACEMENT PARTS

COMPACT STOVE, DIMPLEX

PART NO.

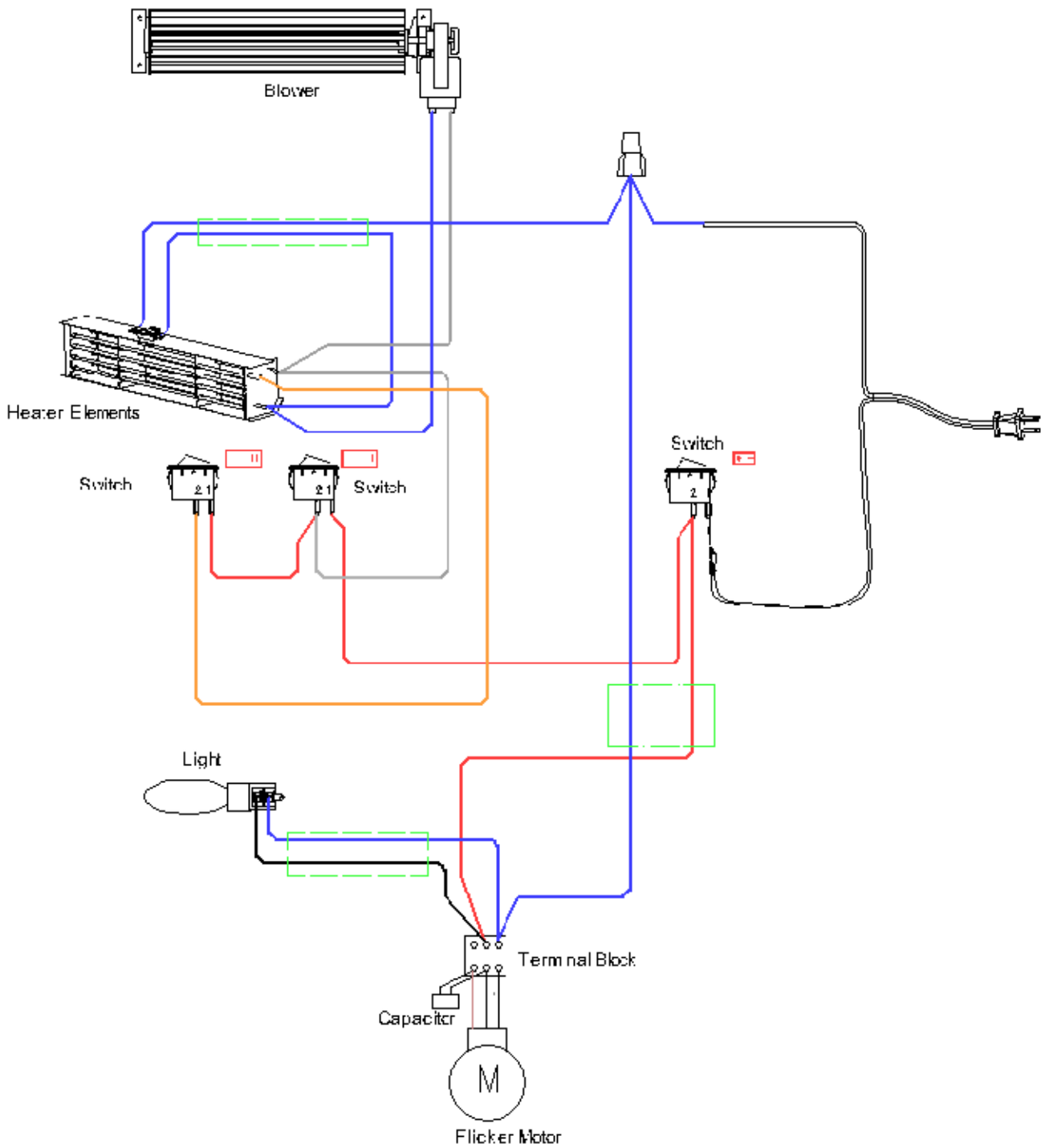
6902340100

REPLACEMENT PART

REPLACEMENT PART NO.

1. Log Set Assembly	0477850100RP
2. Flame Motor 120V	2000210200RP
3. Heater Assembly (comes with cutout)	2200491000RP
4. Main On/Off Switch	2800070700RP
5. Heater Switch	2800070200RP
6. Cord Set 120V	4100090103RP
(When 4100090103RP is gone use	4100090201RP)
7. Moulded Lampholder	4200121000RP
8. Flame Rod	5900250100RP
9. Mirror	5900530200RP
10. Foot	0477830159
11. Terminal Block	4000070100RP
12. Capacitor	2300030100RP

WIRING DIAGRAM



If unit was operating prior to servicing allow at least 10 minutes for light bulbs and heating element to cool off to avoid accidental burning of skin.

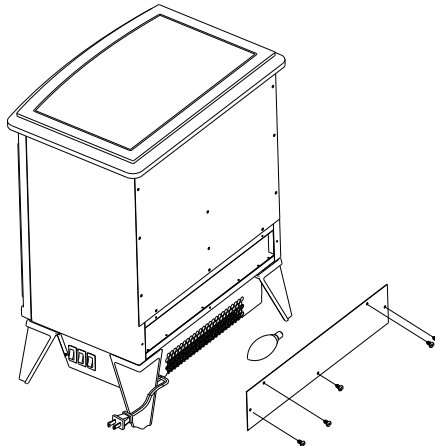
Disconnect power before attempting any maintenance or cleaning to reduce the risk of electric shock or damage to persons.

Light bulbs need to be replaced when you notice a dark section of the flame. There are four bulbs under the log set which generate the flames and embers.

It is a good idea to replace all of the light bulbs at one time if they are close to the end of their rated life. Group replacement will reduce the number of times you need to open the unit to replace the light bulbs.

TO REPLACE LIGHT BULBS

1. Remove the 5 fastening screws from the back access panel and remove the panel.
2. Examine the bulb to determine if replacement is required.
3. Unscrew the bulb counter clockwise.
4. Insert and install the new bulb.
5. Re-secure the access panel to the unit.



LIGHT BULB REQUIREMENTS

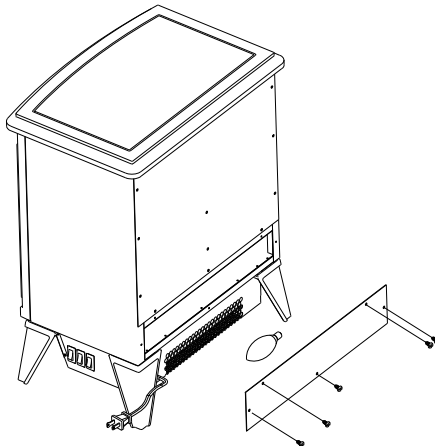
Quantity of 1 clear chandelier or candelabra bulbs with an E-12 (small) socket base, 60 watt rating.

If unit was operating prior to servicing allow at least 10 minutes for light bulbs and heating element to cool off to avoid accidental burning of skin.

Disconnect power before attempting any maintenance or cleaning to reduce the risk of electric shock or damage to persons.

TO REPLACE LAMPHOLDERS

1. Remove the light access panel from the bottom of the rear panel of the stove.
2. Remove the light bulb from the socket by turning counter clockwise.
3. Turn the stove over onto its top.
NOTE: A protective barrier between the top of the unit and your work surface is suggested, (*i.e. cloth, cardboard, thick plastic*) to avoid scratching the finished surface of the stove.
4. Remove the 5 screws which secure the bottom heater cover to the fireplace: 2 at the front and 3 at the back.
5. Lift the heater assembly and cover off the body of the stove and turn sideways resting it against the legs of the unit, exposing the light harness/socket assembly and terminal block.
6. Cut the plastic wire-ties which secure the wires to the base of the stove.
7. Remove the blue and white wires from the terminal block by loosening the screw in the associated terminal to release each wire, noting their original locations.
8. Remove the screw which secures the lampholder to the base of the fireplace.
9. With a flat head screwdriver, push the lampholder sideways to allow mounting tab to release so that it can be pushed through the opening in the base of the stove.
10. Through the access panel in the back, pull the original lampholder and the wire leads out of the stove.
11. Through the same location feed the new lampholder back into the base of the stove.
12. Secure the socket with the original screw.
13. Insert the wires into the terminal block following the original configuration and tighten the terminal screws to secure the wires into position.
14. Re-assemble the covers and the light bulb in reverse order as described above.
NOTE: When securing the bottom panel to the fireplace, take care that no wires are in the way of the heater fan and are not caught or pinched between the cover and the stove.

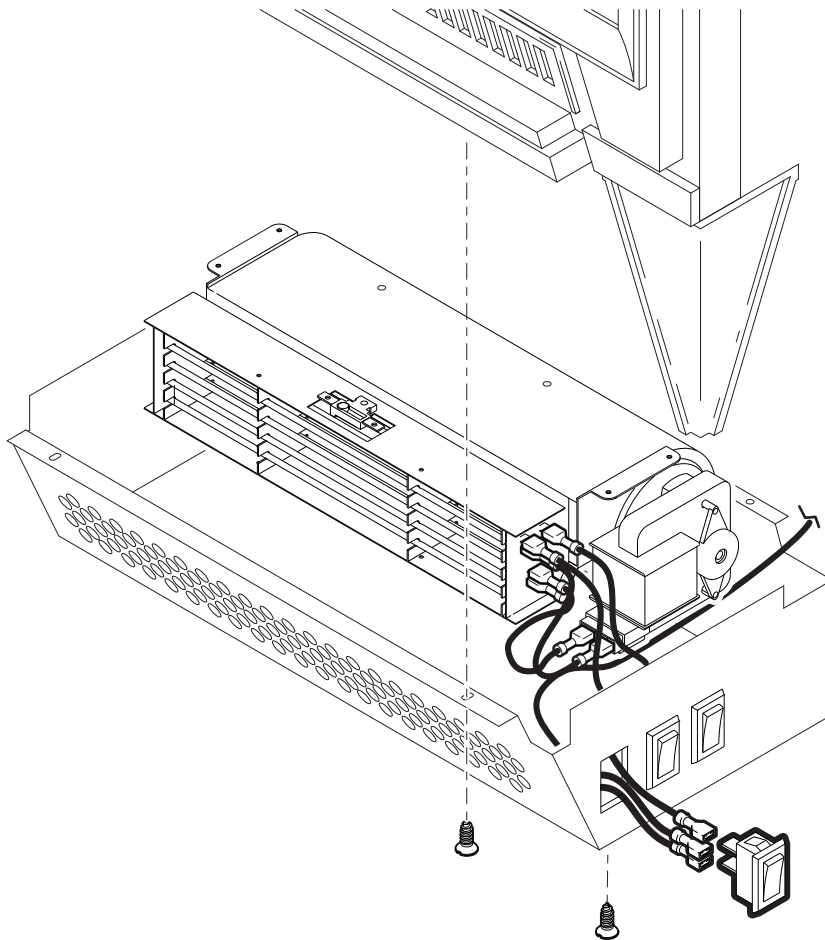


If unit was operating prior to servicing allow at least 10 minutes for light bulbs and heating element to cool off to avoid accidental burning of skin.

Disconnect power before attempting any maintenance or cleaning to reduce the risk of electric shock or damage to persons.

TO REPLACE ON/OFF AND HEATER SWITCHES

1. Turn the stove over and place it top down.
2. Remove the bottom heater assembly cover being careful not to damage any of the wiring.
3. Remove the 4 heater retaining screws from the bottom of the heater assembly cover and move the heater to gain access to the switch connections.
4. Locate the switch to be replaced mounted on heater assembly cover and disconnect the wiring clips and connections noting their original locations.
5. Depress the retainer clips on the rear of the switch and push the switch out of the rear of the cover.

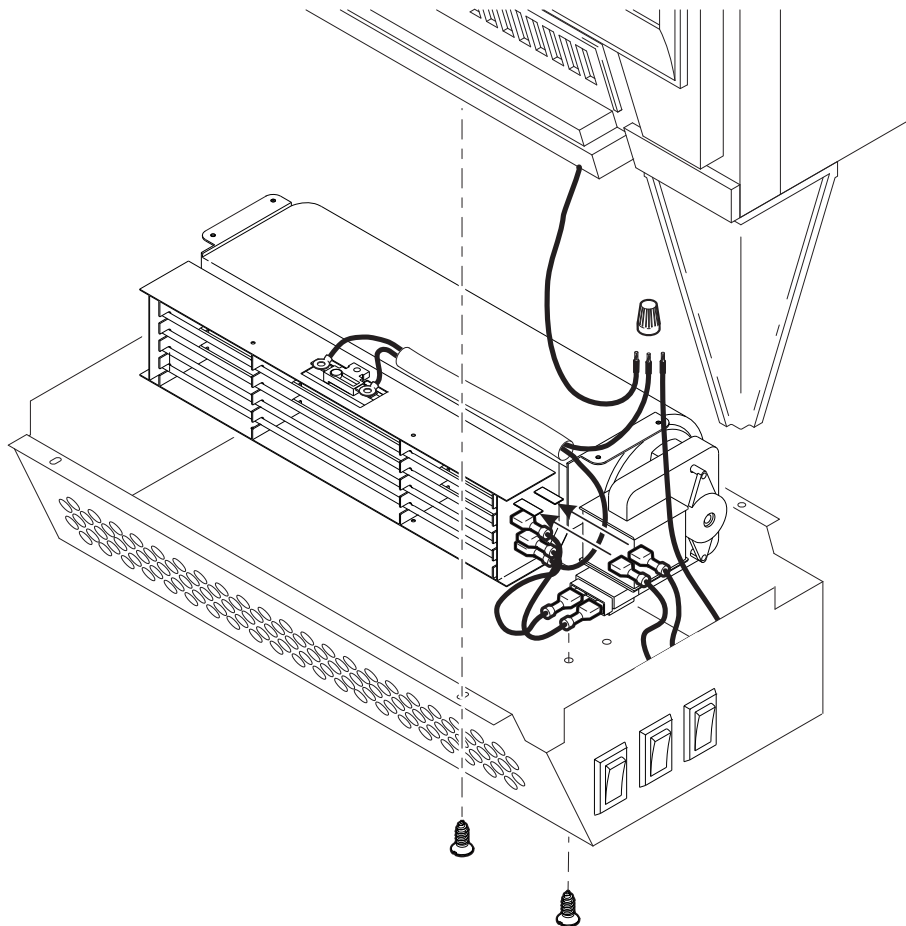


If unit was operating prior to servicing allow at least 10 minutes for light bulbs and heating element to cool off to avoid accidental burning of skin.

Disconnect power before attempting any maintenance or cleaning to reduce the risk of electric shock or damage to persons.

TO REPLACE HEATER ASSEMBLY

1. Turn the stove over and place it top down.
2. Remove the bottom heater assembly cover being careful not to damage any of the wiring.
3. Remove the 4 heater retaining screws from the bottom of the heater assembly cover and move the heater to gain access to the heater connections being careful not to damage any of the wiring.
4. Disconnect the 2 heater switch leads from the heater.
5. Remove the wire nut and disconnect the thermal cut-out wire.
6. Remove the 2 mounting brackets from the bottom of the old heater and install them on the new heater.
7. Reassemble in the reverse order as above.

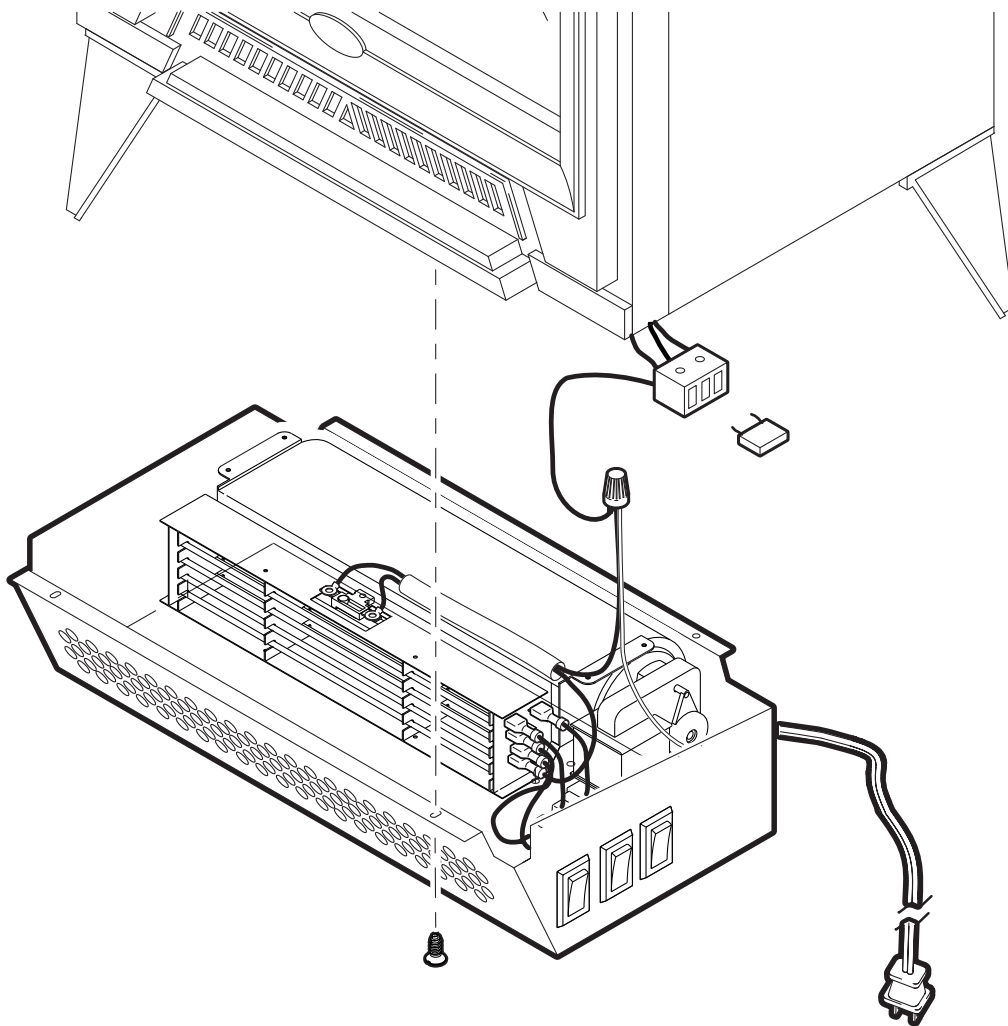


If unit was operating prior to servicing allow at least 10 minutes for light bulbs and heating element to cool off to avoid accidental burning of skin.

Disconnect power before attempting any maintenance or cleaning to reduce the risk of electric shock or damage to persons.

TO REPLACE TERMINAL BLOCK

1. Lay the stove on its back with the front window facing upward.
2. Remove the bottom heater assembly cover being careful not to damage any of the wiring and lay it on the floor.
3. Loosen the connections on the terminal block and remove the wires noting their original locations.
4. Remove the capacitor from the terminal block
5. Using pliers to hold the nuts on the inside of the stove, remove the terminal block mounting screws.
6. Reassemble in the reverse order as above.

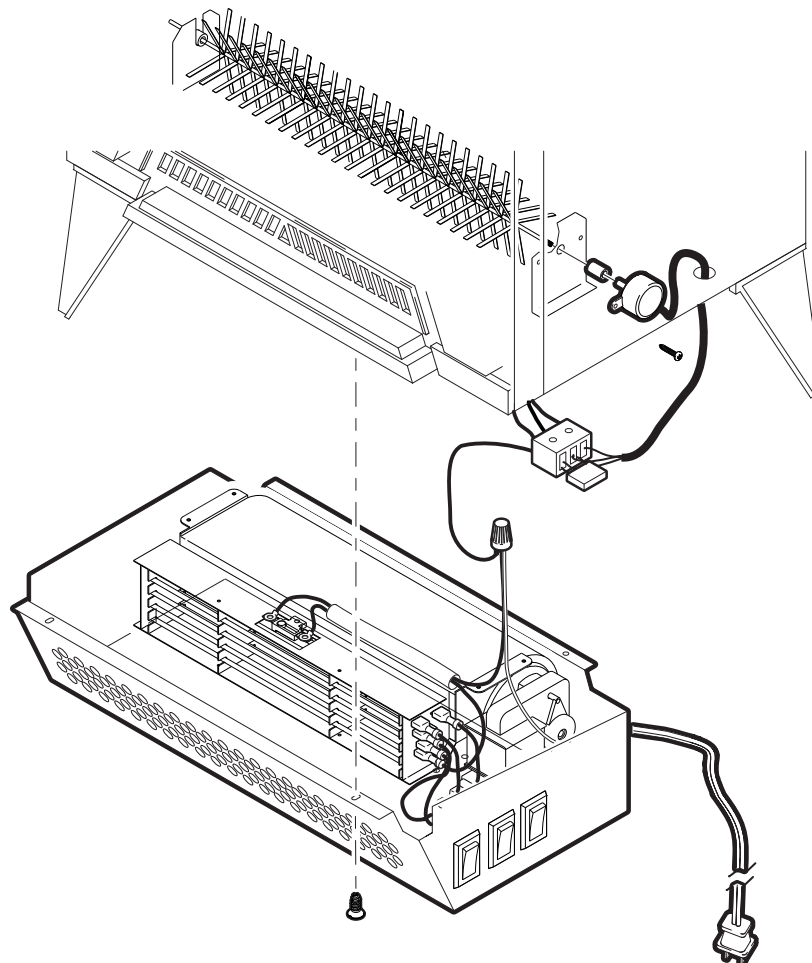


If unit was operating prior to servicing allow at least 10 minutes for light bulbs and heating element to cool off to avoid accidental burning of skin.

Disconnect power before attempting any maintenance or cleaning to reduce the risk of electric shock or damage to persons.

TO REPLACE FLAME MOTOR/FLAME ROD

1. Remove the 8 fastening screws on the top panel and remove the top of the stove.
2. Lift glass out and store in a safe place.
3. Remove the log set by sliding to the rear of the stove and lifting out.
4. Remove the reflector rod from the flame motor by pulling the end of the rod to the left and separating it from the rubber sleeve.
5. Remove the rubber sleeve from the motor shaft.
6. Remove the 2 motor mounting screws and remove the flame motor.
7. Discard the old flame motor.
8. Lay the stove on its back with the front window facing upward.
9. Remove the bottom heater assembly cover being careful not to damage any of the wiring and lay it on the floor.
10. Loosen the flame motor connections on the terminal block and remove the wires noting their original locations.
11. Reassemble in the reverse order.

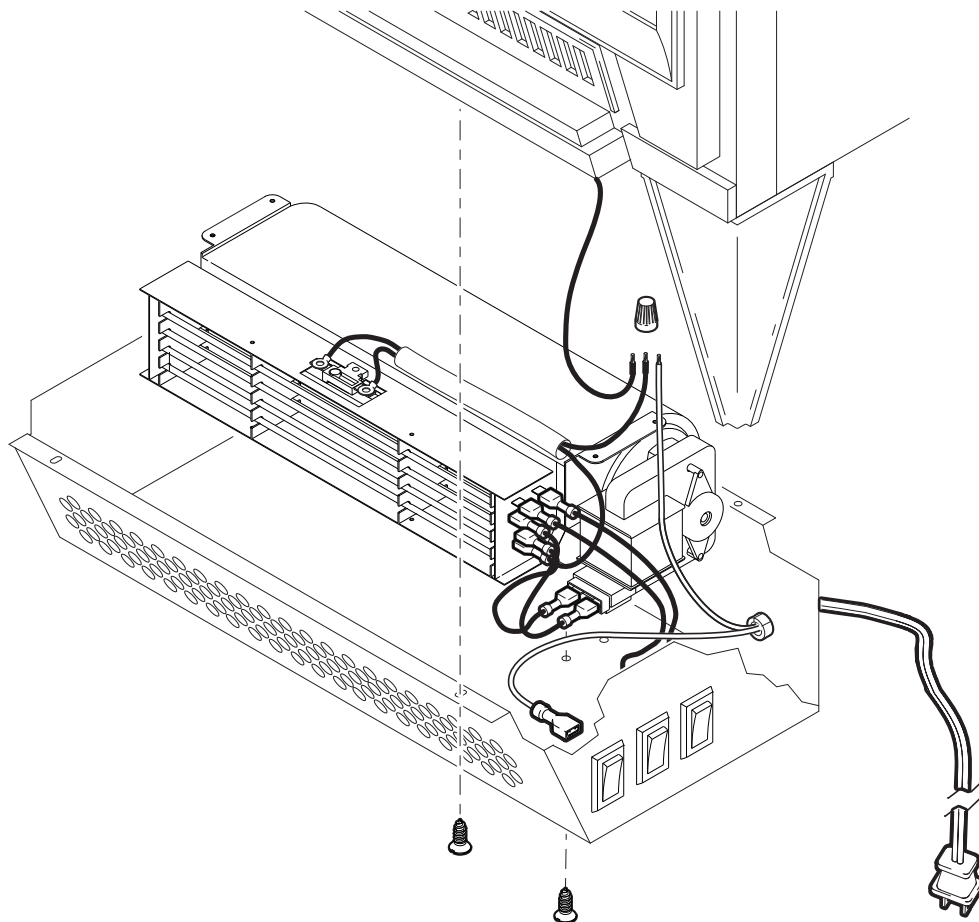


If unit was operating prior to servicing allow at least 10 minutes for light bulbs and heating element to cool off to avoid accidental burning of skin.

Disconnect power before attempting any maintenance or cleaning to reduce the risk of electric shock or damage to persons.

TO REPLACE THE POWER CORD

1. Turn the stove over and place it top down.
2. Remove the bottom heater assembly cover being careful not to damage any of the wiring.
3. Remove the 4 heater retaining screws from the bottom of the heater assembly cover and move the heater to gain access to the switch connections.
4. Located and disconnect the power cord wiring connections from the heater and Main on/off switch noting their original locations.
5. With needle nose pliers grasp the power cord strain relief grommet from inside the rear panel and push while twisting to remove.
6. Pull the power cord out through the hole in the rear cover.
7. Install the new cord set through the hole in the rear cover by placing the strain relief over the cord, hold the strain relief with pliers and slide into mounting hole.
8. Connect all of the wiring connections in their original locations.
9. Reassemble in the reverse order as above.



TROUBLESHOOTING GUIDE

GENERAL

Problem	Cause	Solution	Service Manual Reference
Circuit breaker trips or fuse blows when unit is turned on	Improper circuit current rating	Additional appliances may exceed the current rating of the circuit breaker or fuse. Plug unit into another outlet or install unit on a dedicated 15 amp circuit	
Lights dim in room while the unit is on	Unit is drawing close to circuit current rating	Move the unit to another outlet or install unit on a dedicated 15 amp circuit	
Power cord gets warm	Normal operation	The power cord may get slightly warm to the touch when the heater is on	
	Defective power cord	Replace power cord	Page 12

APPEARANCE

Problem	Cause	Solution	Service Manual Reference
Fireplace does not turn on	Improper operation	Refer to Operation Section	Page 2
	Defective main on/off switch	Replace main on/off switch	Page 8
	Loose wiring	Check wiring connections	Page 5
Flame frozen	Defective flame motor	Replace flame motor	Page 11
	Loose wiring	Check wiring connections	Page 5
Flame not bright or flame not visible	Burnt light bulbs	Replace light bulbs	Page 6
	Loose wiring	Check wiring connections	Page 5
	Defective light harness	Replace light harness	Page 7
Log set dim, ember bed not glowing	Burnt light bulbs	Replace light bulbs	Page 6
Flame Shutter	Defective flame motor	Replace flame motor	Page 11

TROUBLESHOOTING GUIDE

HEATER

Problem	Cause	Solution	Service Manual Reference
Heater is not turning off	Defective heater on/off switch	Replace heater on/off switch	Page 8
	Improper operation	Refer to Operation Section	Page 2
	Loose wiring	Trace wiring in unit	Page 5
Heater is not turning on	Defective heater on/off switch	Replace heater on/off switch	Page 8
	Defective heater assembly	Replace heater assembly	Page 9
	Improper operation	Refer to Operation Section	Page 2
	Loose wiring	Trace wiring in unit	Page 5
Heater emits an odour	Normal operation	Normal operation is when the heater emits an odour for a brief period after the heater is initially turned on. The heater is burning off any dust accumulated during manufacturing or operation.	
	Defective heater assembly	Replace heater assembly	Page 9
	Loose wiring	Trace wiring in unit	Page 5
Heater fan turns on but heater lacks heat	Improper operation	Refer to Operation Section	Page 2
	Loose wiring	Trace wiring in unit	Page 5
	Defective heater assembly	Replace heater assembly	Page 9
Heating element is glowing red	Normal operation	Small glowing sections of the element are considered normal.	
	Defective heater assembly	If larger glowing sections are causing the heater to trip the thermal cut out, unplug unit, discontinue use and replace heater assembly	Page 9
Heater fan runs continuously	Loose wiring	Trace wiring in unit	Page 5
	Defective heater on/off switch	Replace heater on/off switch	Page 8
	Defective heater assembly	Replace heater assembly	Page 9

TROUBLESHOOTING GUIDE

NOISE

Problem	Cause	Solution	Service Manual Reference
Excessive noise with the heater on	Dirty blower assembly	Clean blower assembly	
	Defective blower assembly	Replace heater assembly	Page 9
Grinding or excessive noise with the heater off	Moving flame rod hitting or rubbing against internal components	Flame rod replacement	Page 11
	Defective flame motor	Replace flame motor	Page 11