

# AQUA FOLD

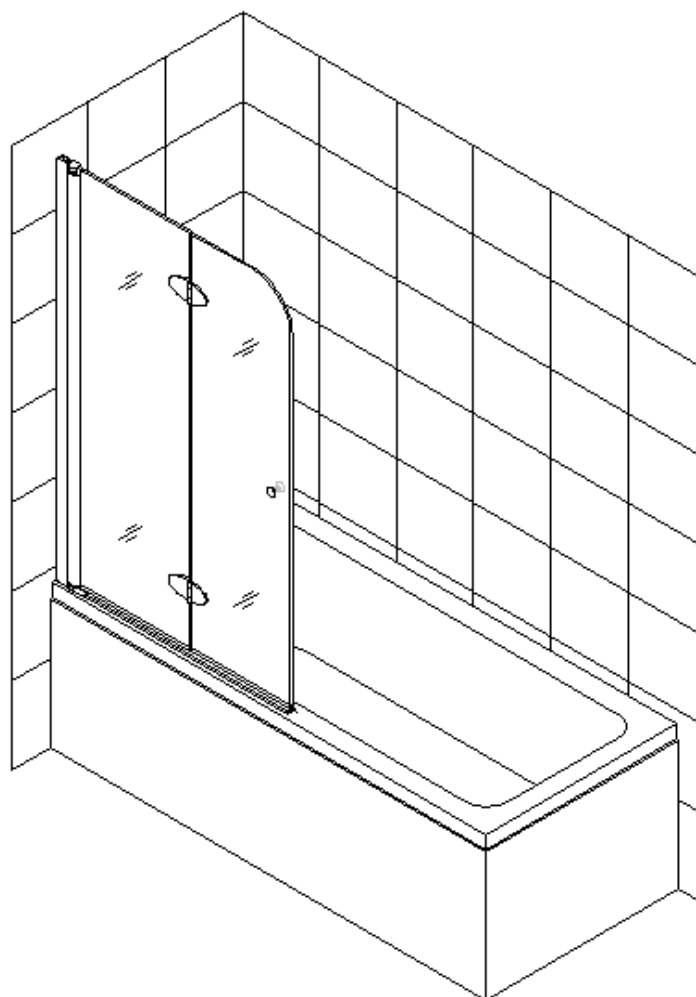
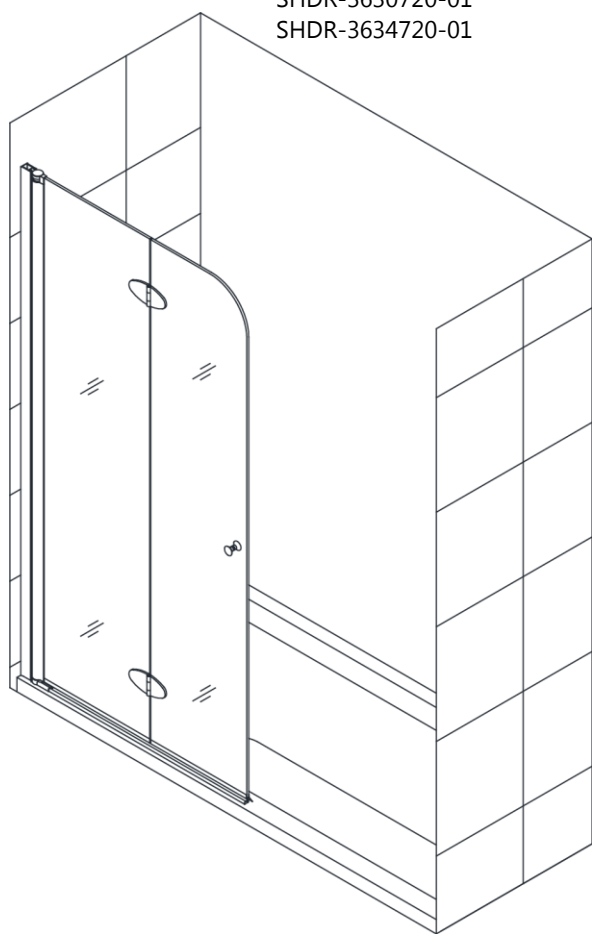
## SHOWER / TUB DOOR INSTALLATION INSTRUCTIONS

### IMPORTANT

DreamLine<sup>®</sup> reserves the right to alter, modify or redesign products at any time without prior notice. For the latest up-to-date technical drawings, manuals, warranty information or additional details please refer to your model's web page on **DreamLine.com**

Model#  
SHDR-3630720-01  
SHDR-3634720-01

Model#  
SHDR-3636580-01



*Left hand installation shown*



**Questions?**

Please Call **DreamLine Customer Support: 1-855-831-2126**  
Hours of Operation M-F 8AM - 7PM EST and Saturday 9AM - 5PM EST

[Support@DreamLine.com](mailto:Support@DreamLine.com)



For more information about DreamLine<sup>®</sup> products please visit [DreamLine.com](http://DreamLine.com)

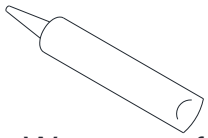
## **Preparation**

1. Prior to installation, examine all boxes and packages for shipping damage and compare the piece count with your packing slip. After opening all boxes and packages read this introduction carefully. Check that all of the needed parts are included in the package by checking off the components on the "Detailed Diagram of Shower Door Components". If the unit has been damaged, has a finishing defect, or has missing parts, please contact our customer support department within **3 business days** of the delivery date. Please note that **DreamLine® will not replace any damaged products or missing parts free of charge after 3 business days or if the product has been installed.** Feel free to contact DreamLine® if you have any questions, and please provide an order number, job name or other proof of purchase to help us identify your original order.
2. If this unit is going to be installed in a new construction, please, install all of the required plumbing and drainage before installing the shower. **Use a competent and licensed (if required by local code) plumber for all plumbing installation.**
3. **Please note that you should consult your local building codes with questions about installation compliance standards. Building and plumbing codes may vary by location, and DreamLine® is not responsible for code compliance standards for your project and will not accept any returns.**
4. Please make sure that prior to beginning the installation, the surfaces are leveled and solid and will be able to support the total weight of the unit. Also make sure the walls are at right angles. Irregular installation surface level, radius corners or improper angle of side walls will result in serious problems for your installation. Note that some adjustments and drilling may be necessary during the installation process.
5. Please protect all primary surfaces of the product during installation. Never set your glass down directly onto a tile floor. Leave corner protectors in place until necessary to remove them. Always use a piece of wood or cardboard to protect the bottom edge and corners of the glass prior to and during installation.
6. This unit must be installed upon a finished threshold and against finished walls.
7. **This model has 3/8" of adjustment for out-of-plumb wall conditions within the wall profile.**
8. **This model requires a minimum 1" of flat threshold space for installation.**

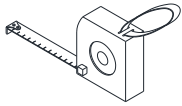
**NOTE: This door is reversible for right or left-hand door installation. The left-hand door installation is shown as an example throughout this manual. For the right-hand door installation, simply begin on the opposite wall and reverse the orientation of the steps shown.**

The tub height model is shown as an example throughout this manual. Follow the same sequence of steps for the Shower height installation.

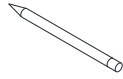
## Tools Required



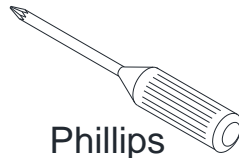
Waterproof  
Silicone



Tape  
Measure



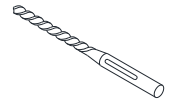
Pencil



Phillips  
Screwdriver



Drill bit  
(Ø=1/8")



Drill bit  
(Ø=5/16")



Level



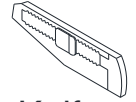
Caulk  
Gun



Electric  
Drill

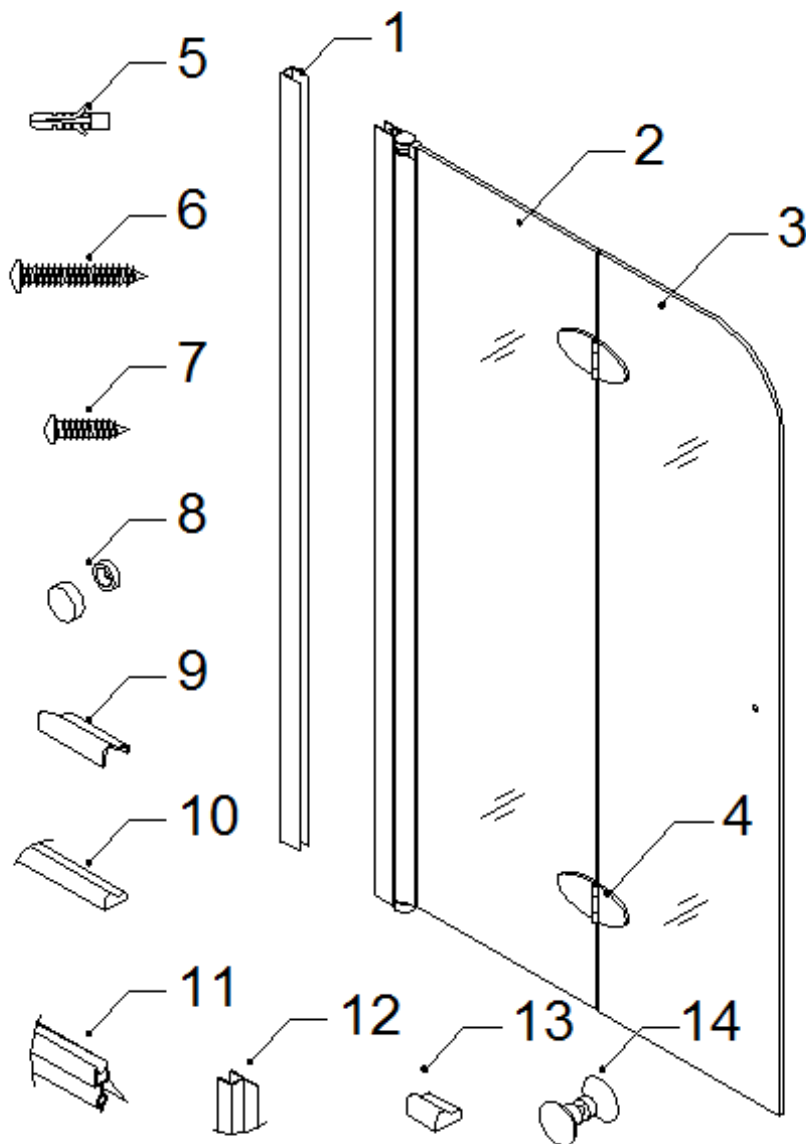


Hammer



Knife

## Detailed Diagrams of Shower Door Components



### Packing List

01	Wall profile	1pc	08	Decorative covers and washers	3sets
02	Glass door 1 w/ Hinged glass profile	1pc	09	Threshold connector (left/right)	1set
03	Glass door 2	1pc	10	Aluminum threshold	1pc
04	Hinge (with allen wrench)	2pcs	11	Bottom anti-water strip	1pc
05	Wall anchor	4pcs	12	Side anti-water strip	1pc
06	Big head screw ST4.2×40	4pcs	13	Threshold end cover (left/right)	1set
07	Round head screw ST4.2×16	3pcs	14	Handle Knob	1set

**NOTE:** Unpack your unit carefully and inspect it. Identify all parts using the detailed diagram and packing list in this manual as a reference. Before discarding the carton, check for small hardware bags that may have fallen to the bottom of the box. If any parts are damaged or missing, please contact DreamLine® for replacement. The shipping boxes may contain extra parts not used in your model configuration.

**NOTE:** Retain these installation instructions for future reference.

## Shower Door Installation

**NOTE:** This model is reversible for left or right-hand installation. Left-hand installation is demonstrated in this manual. For right-hand installation, reverse the orientation of your product.

1. Prepare **Glass door 1 (02)** and **Glass door 2 (03)** to set the **Hinges (04)**.

See Fig. 1 for details.

**IMPORTANT!** There is a top and a bottom to the assembled glass door rail.

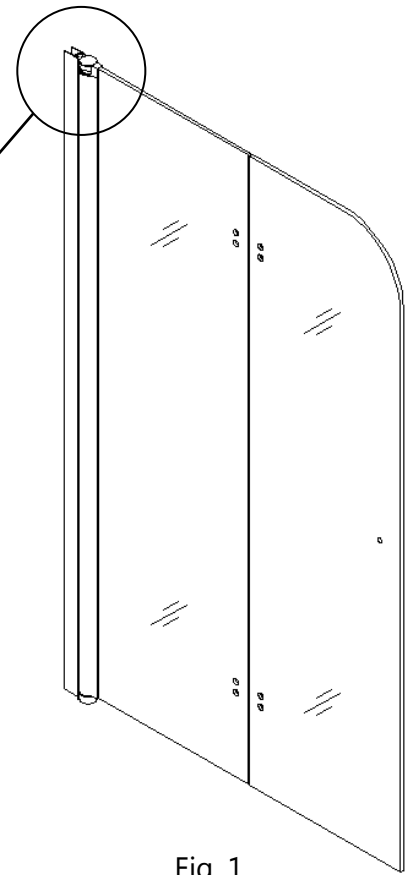
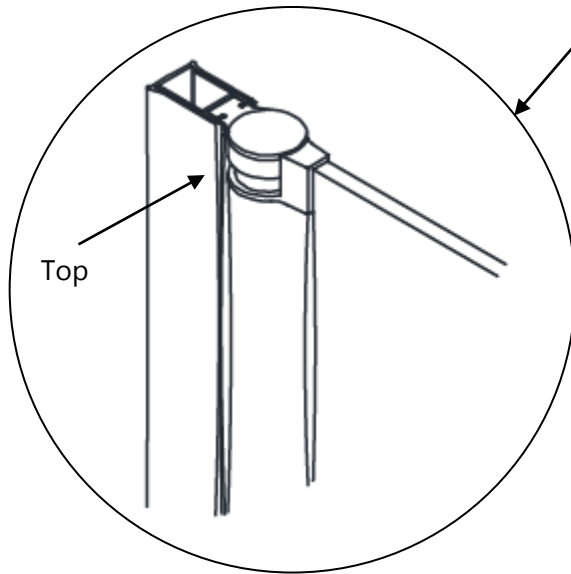


Fig. 1

2. First, attach the **Hinges (04)** to **Glass door 1 (02)**, then attach **Glass door 2 (03)** to the **Hinges (04)**. Be sure to install the rubber gaskets that come with the hinges to protect the glass from contact with the metal.

**NOTE:** The hinge bolts face into the shower as shown. When attaching **Glass door 2** make sure the top edges of both **Glass doors** are aligned. See Fig 2.4

See Fig. 2 & 3 for details.

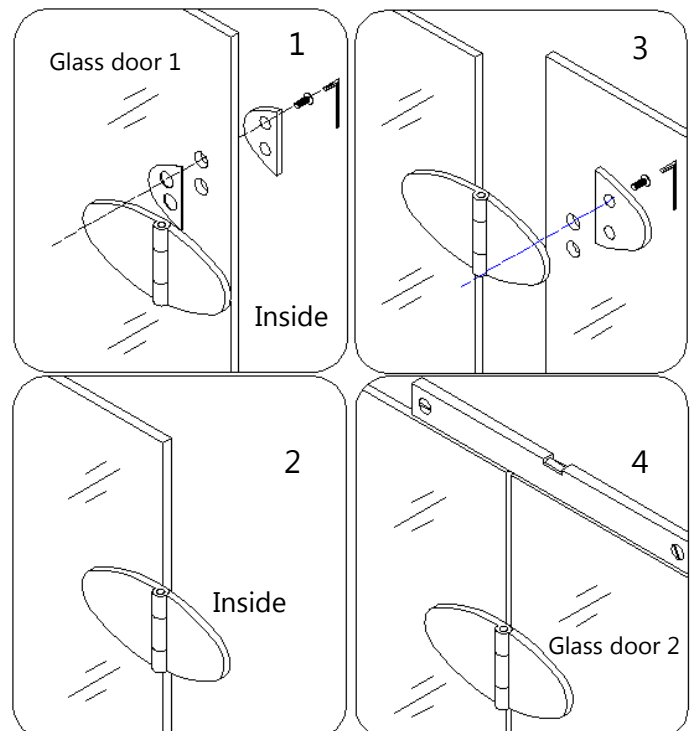


Fig. 2

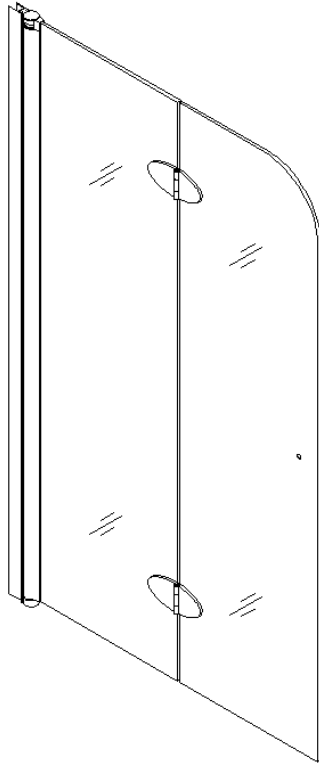


Fig. 3

3. Remove the **Wall Profile (01)** from the Door Assembly. Place the **Wall profile (01)** onto the tub or threshold against the finished wall in the desired position. Use a level and adjust the **Wall profile (01)** to plumb.

See Fig. 4 for details.

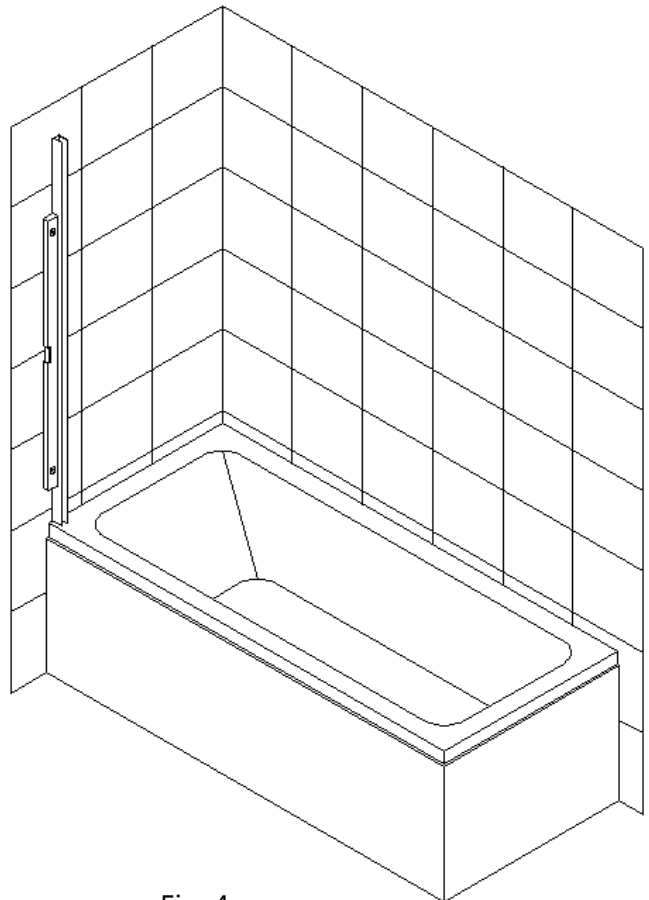


Fig. 4

4. Mark the drill holes on the wall through the predrilled holes in the **Wall profile (01)**. Now drill holes in the wall using a **Ø5/16 drill bit** and insert the **Wall anchors (05)**. Apply silicone along the **Wall profile (01)** and around the holes. Fasten the **Wall profile (01)** to the wall with the **Big head Screw ST4.2×40 (06)**.

See Fig. 5 for details.

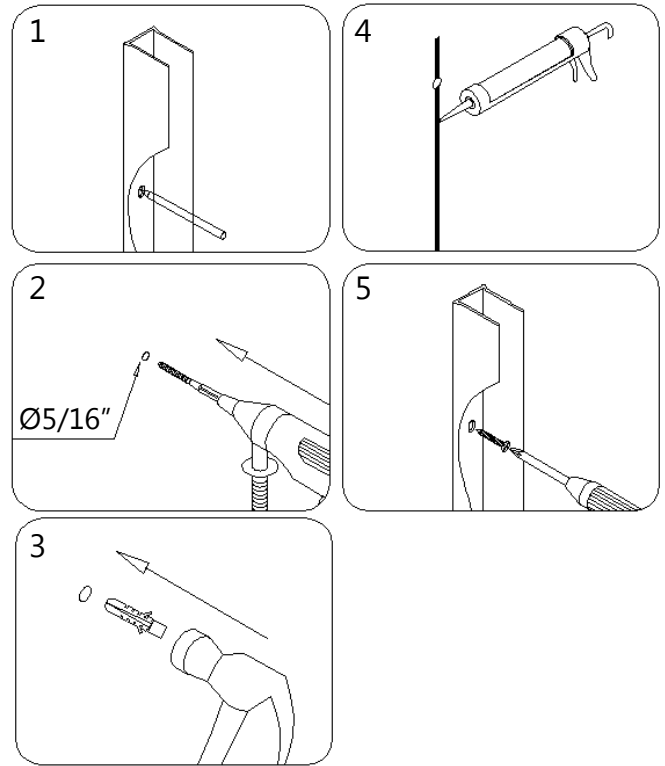


Fig. 5

5. Slide the assembled **Glass door with Hinged glass profile (02)** into the groove of the **Wall profile (01)** and level it vertically.

Make final adjustments as necessary. Drill **Ø1/8** holes through the **Wall profile (01)** into the first layer of the **Hinged glass profile (02)**. (Fig 6.4)

Secure the **Wall profile (01)** and the **Hinged glass profile (02)** with the **Round head screws ST4.2×16 (07)**, washers and **Decorative Covers (08)**.

**NOTE: Use caution when installing your door glass. Protect your threshold or tub deck with a strip of cardboard or similar material to prevent the glass from making contact with the surface. Use an assistant or helper if necessary.**

See Fig. 6 for details.

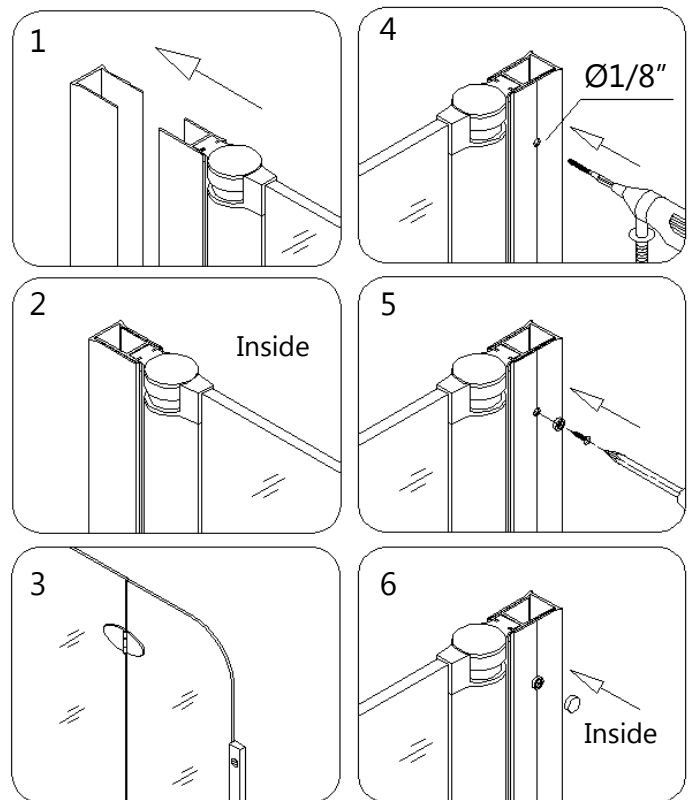


Fig. 6

6. Snap the **Aluminum threshold (10)** into the **Threshold connector (09)** and **Threshold end cover (13)**. (Left-hand installation shown)

Run a bead of Waterproof silicone along the **Aluminum threshold (10)**. Attach the **Aluminum threshold (10)** onto the tub deck, parallel to the tub edge with the **Threshold connector (09)** tight to the bottom of the **Hinged glass profile (02)**. See Fig 4.4.

Run a bead of Waterproof silicone along the connections of the **Threshold connector (09)** and **Hinged glass profile (02)**. Use painter's tape or similar to hold the **Aluminum threshold (10)** tight to the tub surface until the silicone fully cures.

See Fig 7 for details.

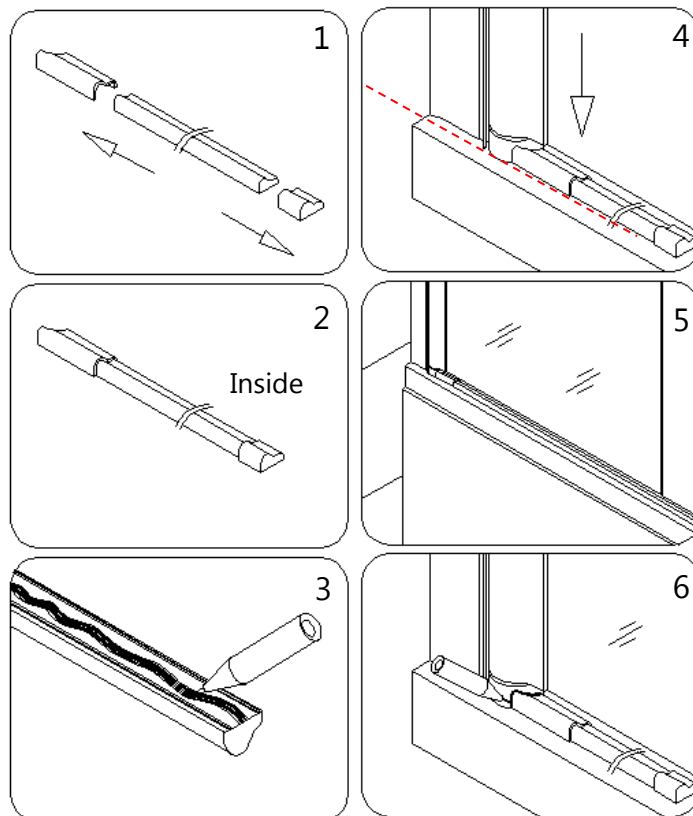


Fig. 7

7. After the silicone fully sets, cut the **Bottom anti-water strip (11)** to the width of each door glass and attach them to the bottom edges of both **Glass doors**. Turn the outside **Glass door (03)** and attach the **Side anti-water strip (12)** to vertical edge of the **Glass door 1 (02)**.

See Fig. 8 for details.

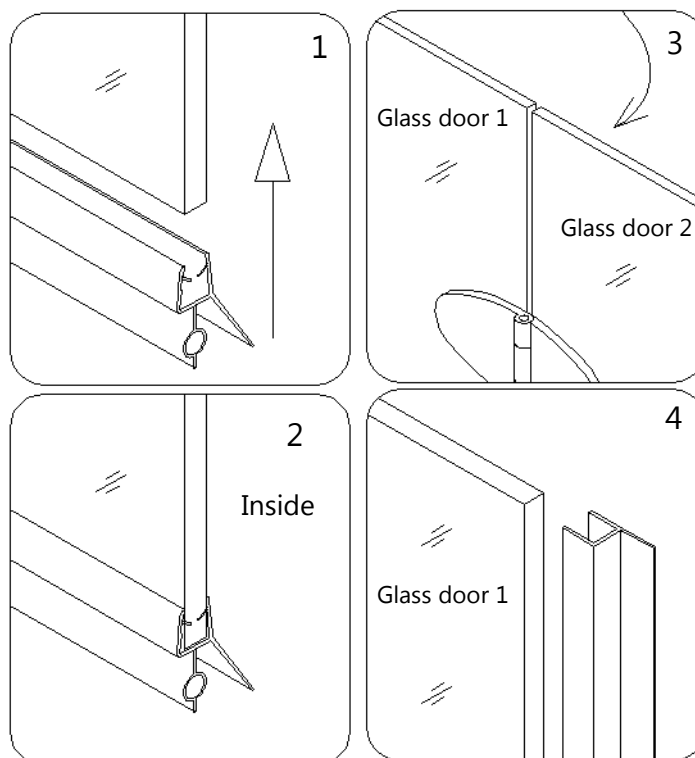


Fig. 8



8. Mount the **Handle Knob (14)** onto **Glass door 2 (03)**.

**WARNING: To avoid damage to the glass:**  
**Use caution when folding the doors to prevent the metal knob from contacting the glass surface.**

See Fig. 9 for details.

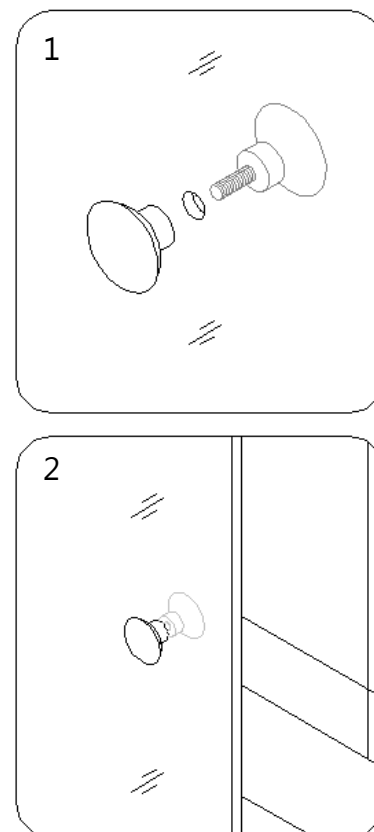


Fig. 9

9. Test the operation of the doors and adjust the hinges as necessary to make the door operate smoothly.

See Fig. 10 for details.

10. Apply a high quality mildew-resistant silicone to the wall and threshold, along the inside edge of the wall profile and threshold. **Allow 24 hours for the silicone to fully cure before using the shower.**

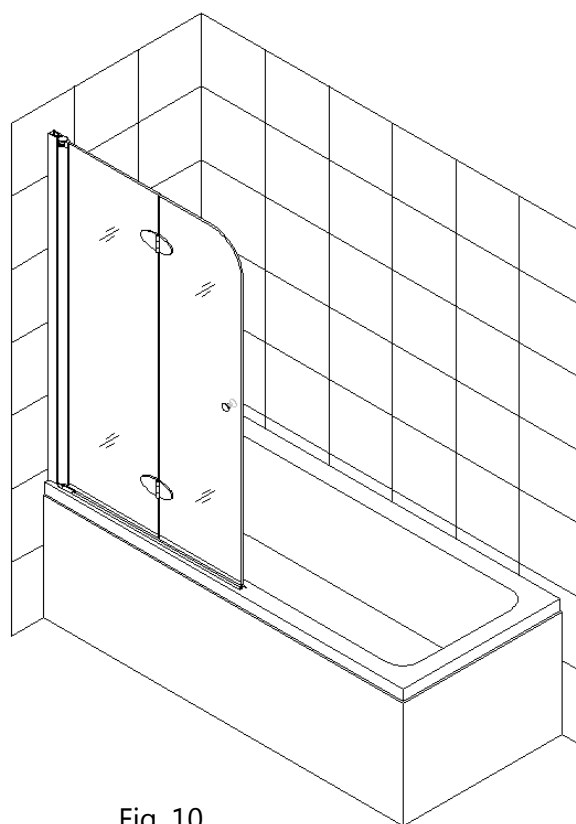
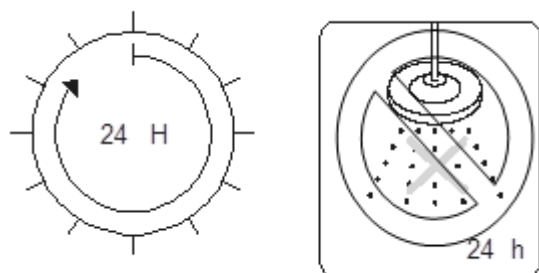


Fig. 10



## **Product Maintenance**

**BASES and BACKWALLS:** To ensure long lasting life for your acrylic back walls: wipe them off after each use with a soft cloth. To clean the acrylic back walls use non-abrasive sprays or cream based cleaners. Avoid the use of aerosol spray cleaners. Never use abrasive cleansers, metal brushes or scrapers that could scratch or dull the surface.

**GLASS:** To ensure long lasting life for your glass shower products: wipe them off after each use with a soft cloth. Rinse and wipe off the glass using either a soft cloth or a squeegee to prevent soap buildup and water spots (Hard water can etch the surface of the glass over time if left to dry). To prevent scratching the surface: never use abrasive cleaners or cleaning products that contain scouring agents. Never use bristle brushes or abrasive sponges that may scratch the surface.

**HARDWARE:** To ensure a long lasting finish: wipe off the metal parts after each use with a soft cloth. Do not use abrasive cleaners or cleaning products containing ammonia, bleach or acid. If accidentally used, rinse the surface as soon as possible to prevent damage to the finish (peeling or corrosion). After cleaning the polished finishes, rinse thoroughly and wipe dry with a soft cloth. Clean stainless steel surfaces at least once a week. When applying stainless steel cleaner or polish to stainless steel hardware, work with (not across) the grain. Never use an abrasive sponge or cloth, steel wool or wired brush as these may permanently scratch the surfaces.

**NOTE:** To maximize the life of your door, it is important to regularly inspect the glass and other hardware for misalignment, proper attachment, and/or damage. Contact DreamLine with any questions or concerns.



TEL: [866-731-2244](tel:866-731-2244)

FAX: [866-857-3638](tel:866-857-3638)

[DREAMLINE.COM](http://DREAMLINE.COM)

For more information on [DreamLine® Shower Doors](#) and [Enclosures](#) please visit [DreamLine.com](http://DreamLine.com)