

Assembly Instructions

Table Lamp Base # BTS024

(shade sold separately)

No special tools are needed to install this portable lamp. Be sure to follow the steps in the order given. If you are unclear as to how to proceed, consult a qualified electrician.

IMPORTANT SAFETY INSTRUCTION

- To prevent shock, only plug in unit after complete assembly.
- Do not exceed the maximum wattage rating.
- Before turning on the lamp, please follow the instruction step by step.

Note: This portable lamp has a polarized plug (one blade is wider than the other). As a safety feature, this plug will fit in a polarized outlet only one way. If the plug does not fit fully in the outlet, reverse the plug. If it still does not fit, contact a qualified electrician. Never use with an extension cord unless plug can be fully inserted. Do not attempt to work around this safety feature.

INSTALLATION

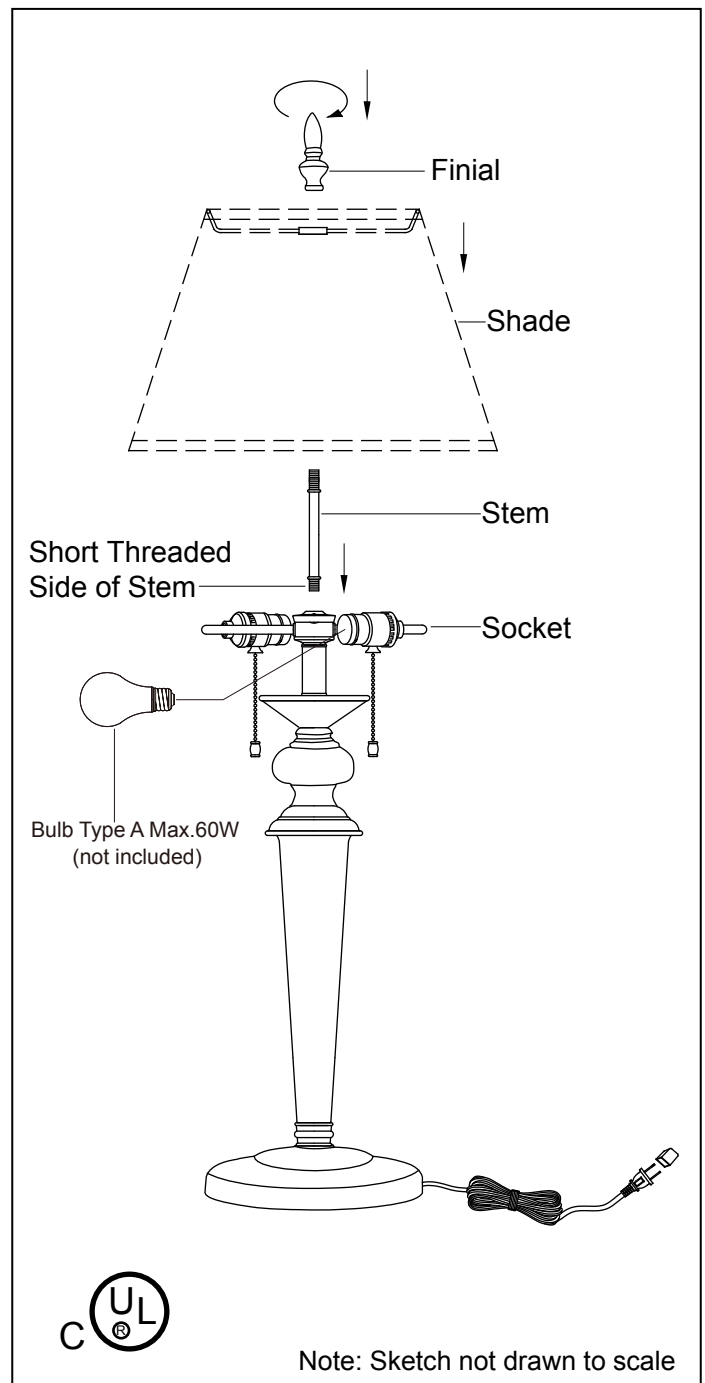
STEP 1: Screw the short threaded side of the stem into socket tightly.

STEP 2: Install bulbs Type A, Maximum 60 Watts. (Bulbs not included)

STEP 3: Place shade onto the other end of stem, and secure it with finial. A 16-1/2" bell is recommended with this base. (Shade sold separately)

CLEANING

To clean, wipe the lamp with a soft cloth. Do not use abrasive materials such as scouring pads or powders, steel wool or abrasive paper.



Note: Sketch not drawn to scale