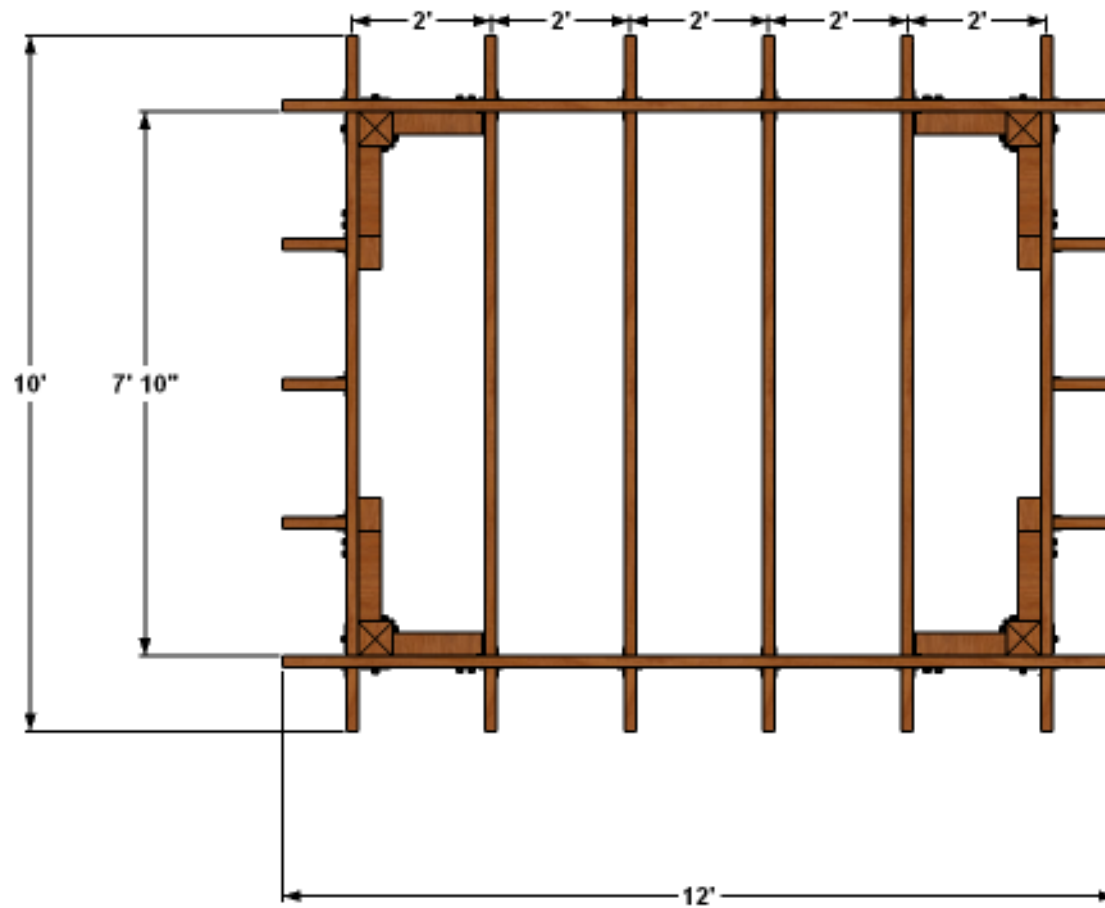


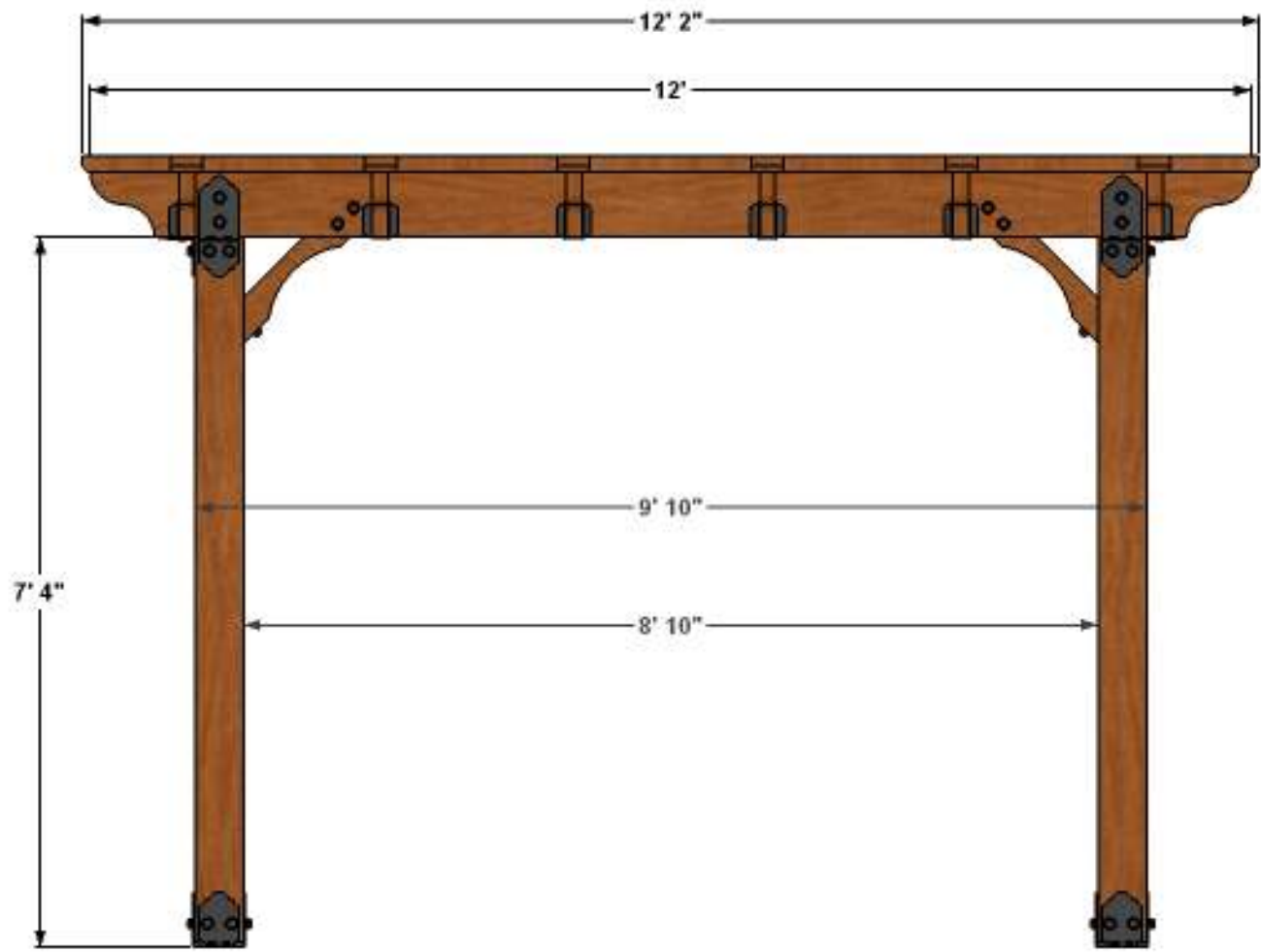


10x12 DIY Vineyard Pergola

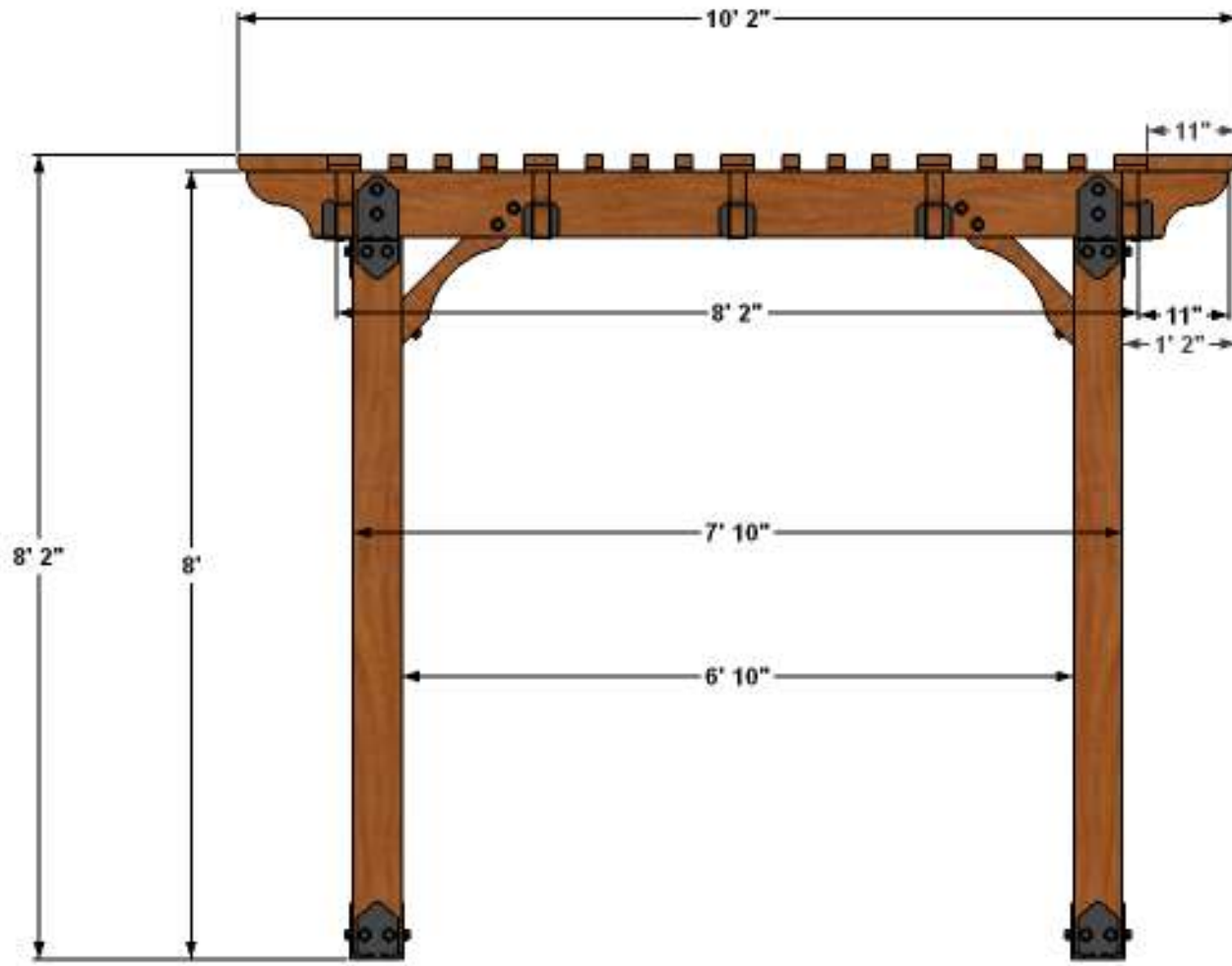
- 100% western red cedar
- 6x6 post connected to existing concrete slab with OWT 6" Post Anchor Kit
- 2x8 single headers attached with OWT Offset 6" Post to Beam Bracket
- 4x4 45 degree curved brackets
- 2x6 joist 24" o.c. attached with OWT Flush Joist Hangers
- 2x8 faux rafter tails 24" o.c. attached with OWT Tab Joist Hanger
- 2x4 stripping and rafter caps 24" o.c.
- 2x2 stripping 5.5" o.c.



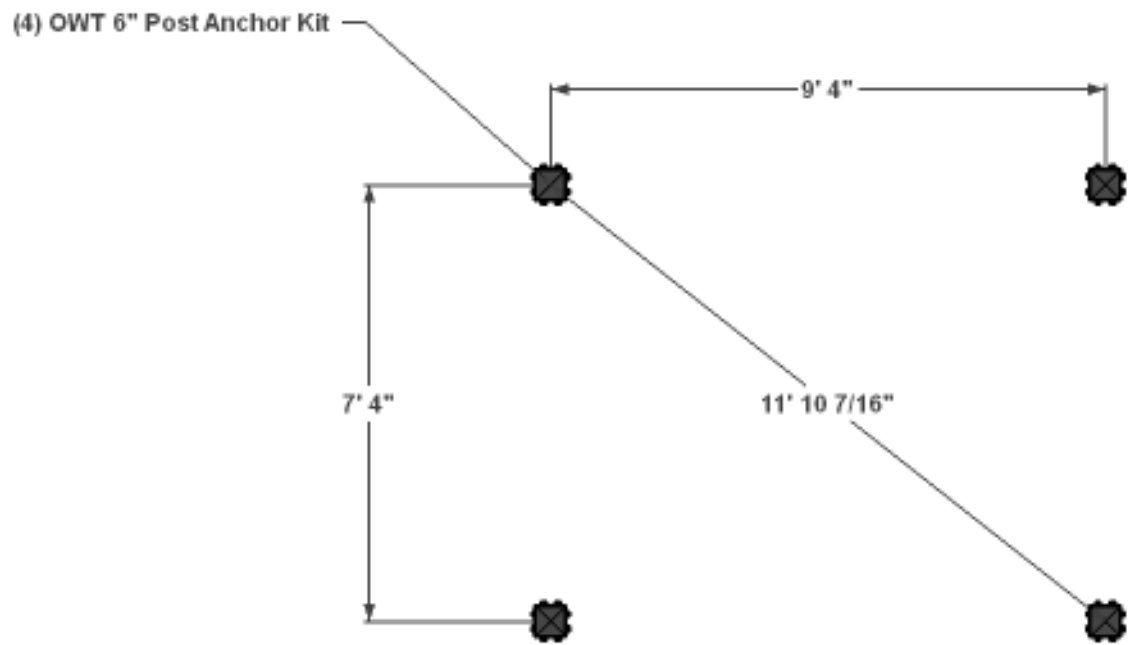
PLAN VIEW



FRONT ELEVATION

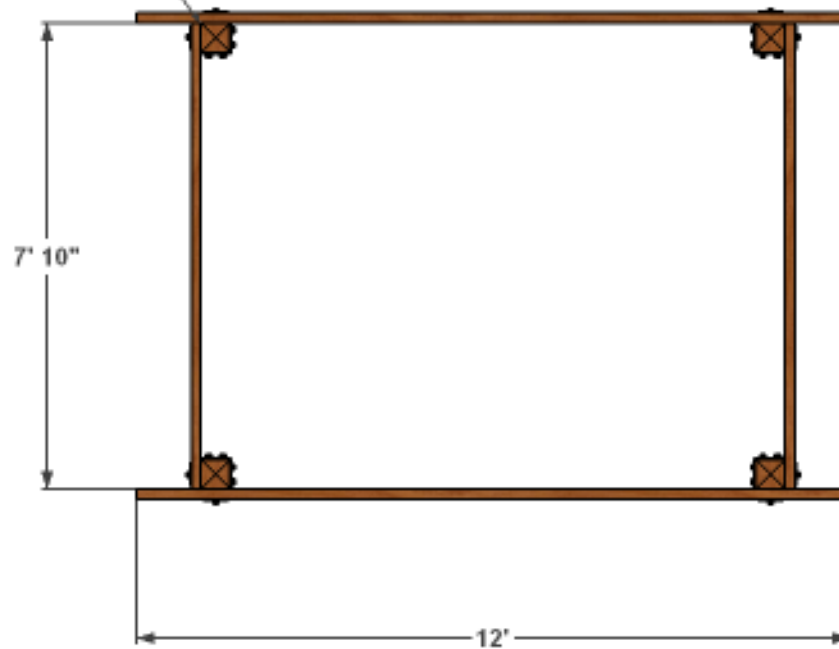


SIDE ELEVATION

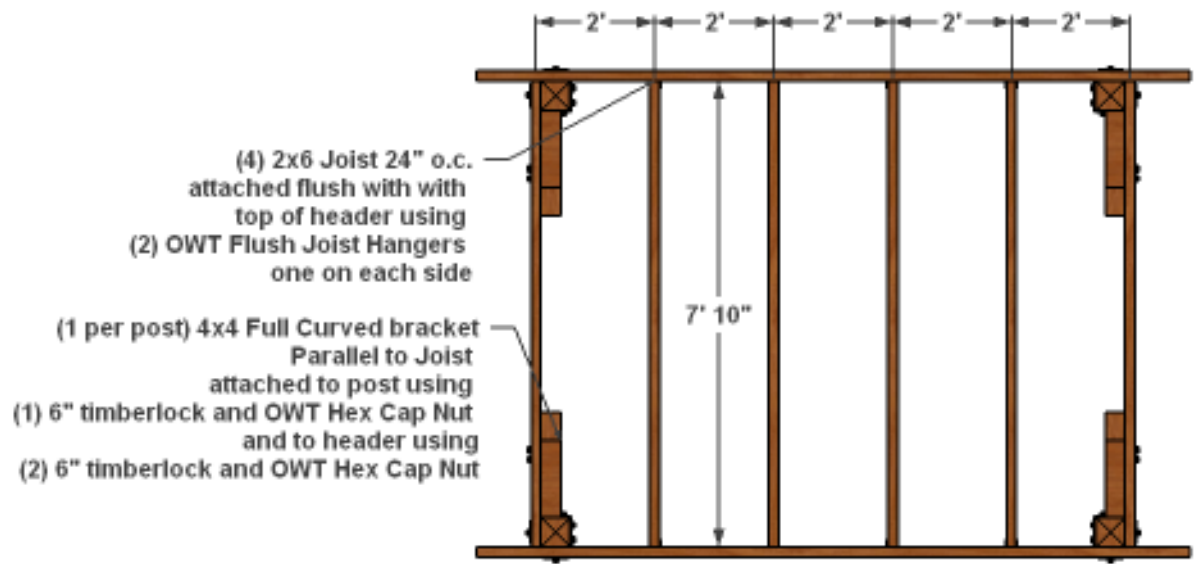


STEP ONE

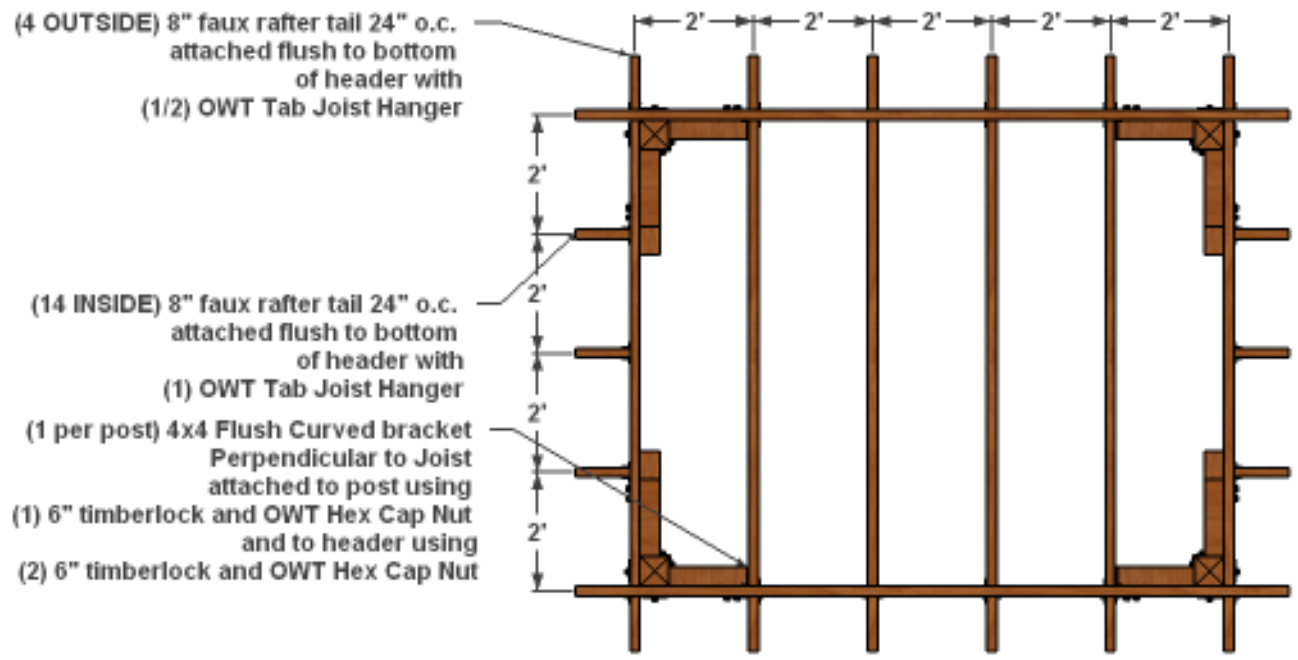
Headers attached with OWT
6" Offset Post to Beam bracket
1 set on each corner post



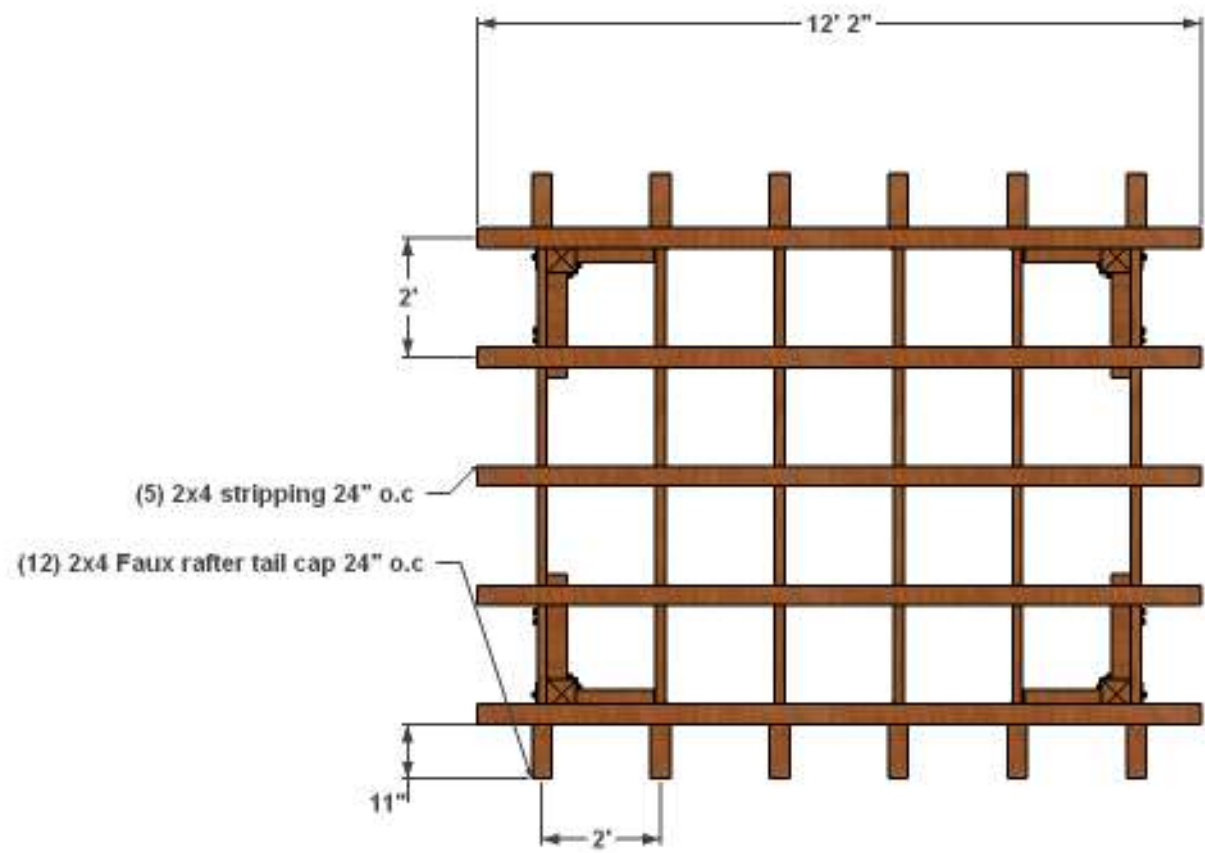
STEP TWO



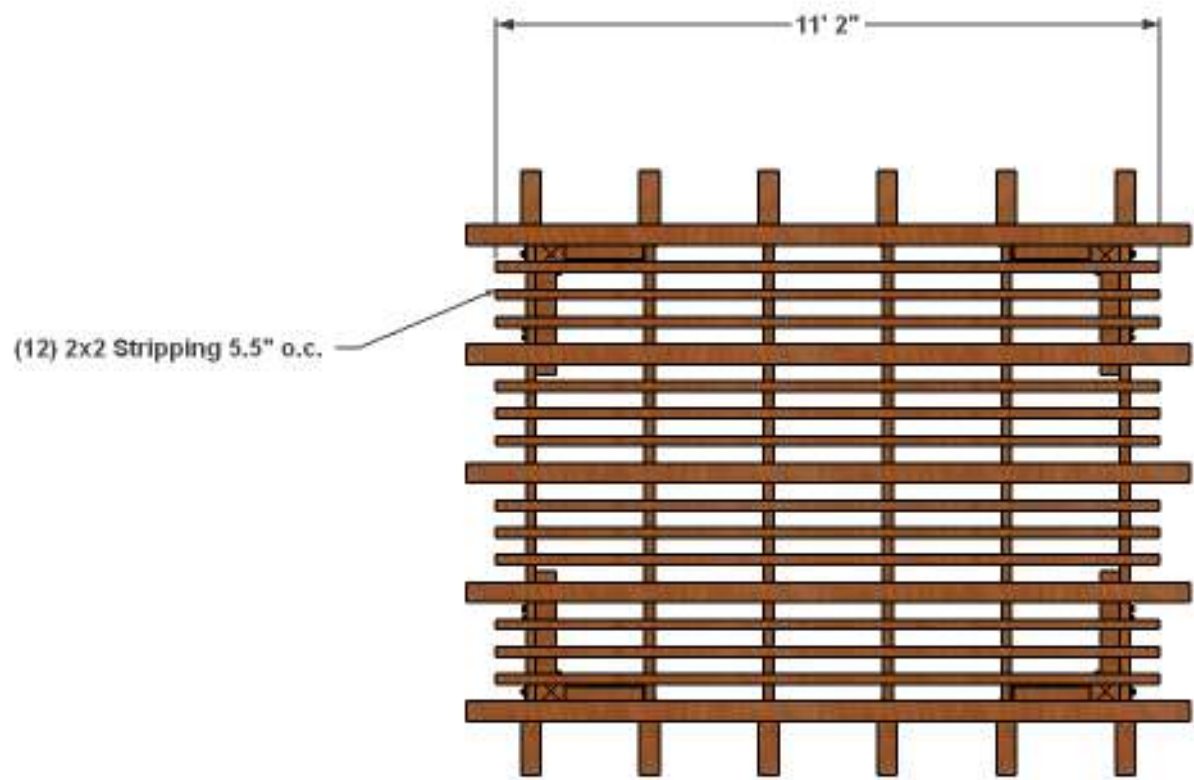
STEP THREE



STEP FOUR



STEP FIVE



STEP SIX

