

MSUTM

MICHIGAN STATE

U N I V E R S I T Y



Owner's Manual

6215 MSU 8OZ Full
6220 MSU 8OZ Top

IMPORTANT SAFEGUARDS

When using electrical appliances, basic safety precautions should always be followed including the following:

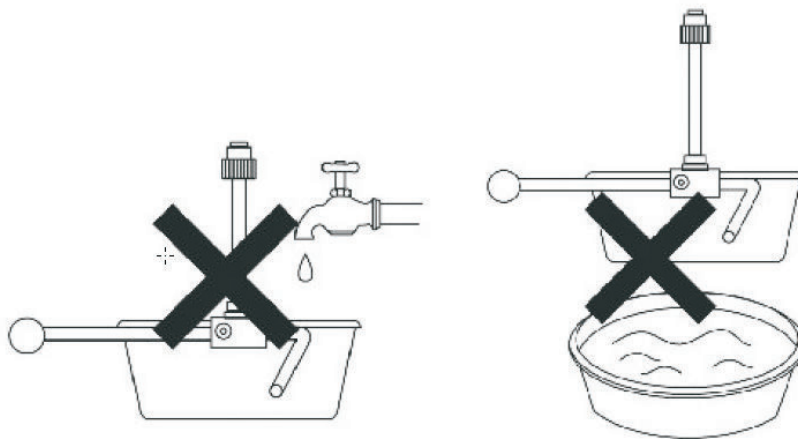
- **READ ALL INSTRUCTIONS BEFORE USING YOUR POPCORN MACHINE.**
- Do not touch hot surfaces. *Always* use handles or knobs to operate.
- To avoid any risk of electrical shock, do not immerse cord or plug in water.
- Close supervision is necessary when being used near children.
- Unplug main power cord from outlet while not in use and before cleaning.
- Allow hot parts to cool down before moving or cleaning.
- Do not operate the appliance with a damaged cord or plug, or if the machine is malfunctioning or damaged. Send the unit to the nearest authorized service center for examination and repair. (ONLY technicians should open up the unit.)
- Using any accessories or attachments not provided or recommended by the manufacturer may result in injury.
- Do not pop kernels in a dry pot (without oil).
- Do not immerse the kettle in water.
- Pot surface are **HOT** and should **NOT** be touched during the popping process or just after use.
- Unplug, clean and cover the unit and store in a dry, safe place while not in use.
- Do not leave the power cord hanging over edge of table or counter or touch hot surfaces.
- **DO NOT** place the unit on or near a hot gas or electric burner or in a heated oven.
- Extreme caution must be used when moving any appliance containing hot oil or other hot liquids.
- Turn ALL switches to "OFF" position before disconnecting power plug from the outlet.
- Do not use outdoors.
- Do not use appliance for anything other than the indicated usage.
- To avoid overheating, always have oil and kernels ready before operating.
- Extreme caution must be used when unloading popcorn, always use oven mitts. Be careful that residual hot oil or water does not come into contact with skin, as burns may occur.
- If you have purchased a bar style popper, or are using the full unit without the cart, always place the unit over a counter-top so that residual hot oil or water will not cause injury.
- A popper that is plugged into an outlet should not be left unattended.
- This popper will not shut off automatically. To avoid overheating, add corn and oil before operating.
- Extreme caution must be used when unloading popcorn. Always turn the unit over a counter-top so that residual hot water or oil running out will not cause burns.

IMPORTANT SAFEGUARDS

- **KEEP OUT OF REACH OF CHILDREN.**
- **DO NOT CLEAN USING ANY ABRASIVE MATERIAL.**
- **NEVER FORCE ANY PARTS OR BRACKETS INTO POSITION.**
- **NO PARTS ARE INTENDED FOR THE DISHWASHER.**

SAVE THESE INSTRUCTIONS

FOR HOUSEHOLD USE ONLY



EXTENSION CORD

- a) A short power-supply cord is to be provided to reduce the risk resulting from becoming entangled in or tripping over a longer cord.
- b) Longer extension cords are available and may be used if care is exercised in their use.
- c) If a longer extension cord is used:
 1. The marked electrical rating of the cord or extension cord should be at least as great as the electrical rating of the appliance;
 2. The extension cord should be a grounding 3-wire cord; and
 3. The longer cord should be arranged so that it does not drape over the counter-top or table top where it can be pulled on by children or tripped over unintentionally.

ASSEMBLY INSTRUCTIONS

8OZ POPPER ASSEMBLY

Models:

6215 MSU 8OZ Full

6220 MSU 8OZ Top

1. Use bolts & washers (Package B) provided to connect the long stand (F) and the 2 pc. square poles (E) together.
2. Connect the completed Step 1 (above) with the short stand (G) by the bolts & washers (Package B).
3. Insert axle (H) into short stand (G). Place washers (Package C) onto each side of wheels (J) and then secure with round cap nuts by using the wrenches provided (Package D).
4. For more convenient assembly, turn the storage cabinet (K) upside down. Insert both ends of the short and long stand onto the bottom of (H) and attach by bolts (Package B).
5. Turn the completed unit back to its upright position. Install the handrail (D) onto the left hand side and the working platform (C) on the right hand side by the nuts and bolts with washers included in Package A.
6. Place the main unit (A) onto the top side of the storage cabinet. (**Caution:** Power cord outlet should be inserted into the u-shape position).
7. Place the pot (kettle, B) onto the hanger. (**Note:** Roller bar should be on the door side and also be sure that gears between pot and ceiling are perfectly matched).
8. Connect the power plug from the main unit ceiling with the socket on the bottom of the pot.
9. Open the door of the storage cabinet and release the spring shaft beneath the main unit in order to fix the main unit to the storage base.

8OZ PARTS LIST

- A. Main unit (1)
- B. Popping pot (1)
- C. Working platform (1)
- D. Hand rail (1)
- E. Square pole (2)
- F. Long stand (1)
- G. Short stand (1)
- H. Wheel axis (1)
- J. Wheels (2)
- K. Storage cabinet (1)
- L. Popcorn scoop (1)
- M. Measuring cup set

Note: See next page for assembly diagram.

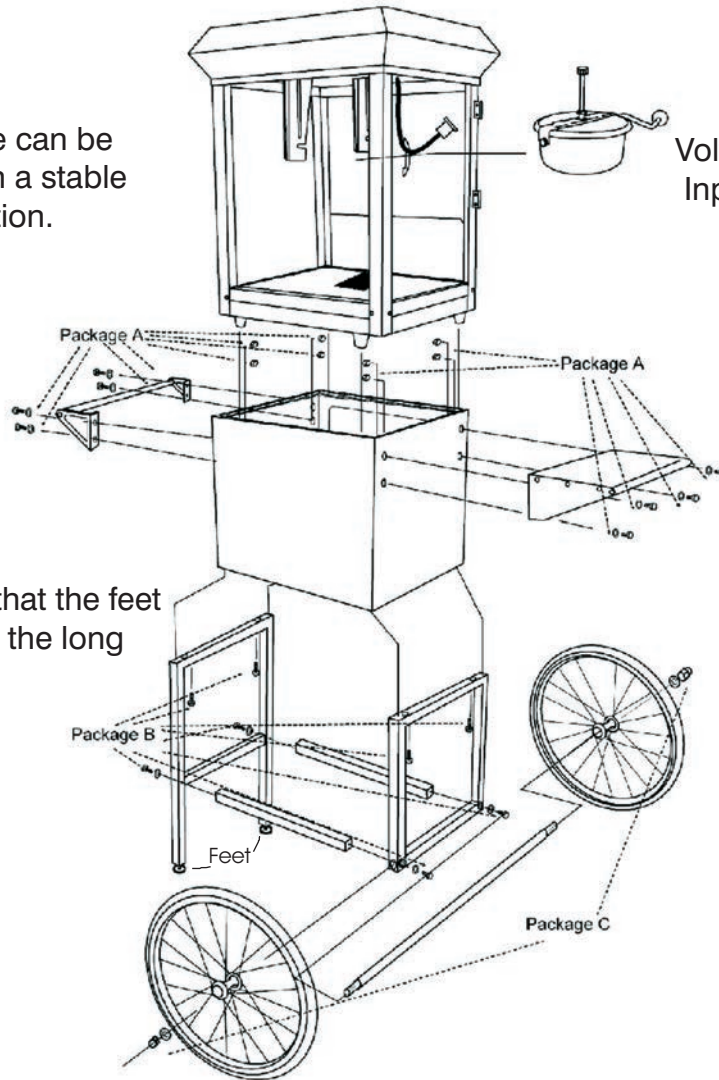
N. Parts box which includes

- a. Package A (plated bolts/nuts/washers [8 each])
- b. Package B (bolts [8 each], washers [4 each])
- c. Package C (nuts with round cap/washers [2 each])
- d. Package D (wrench [2])

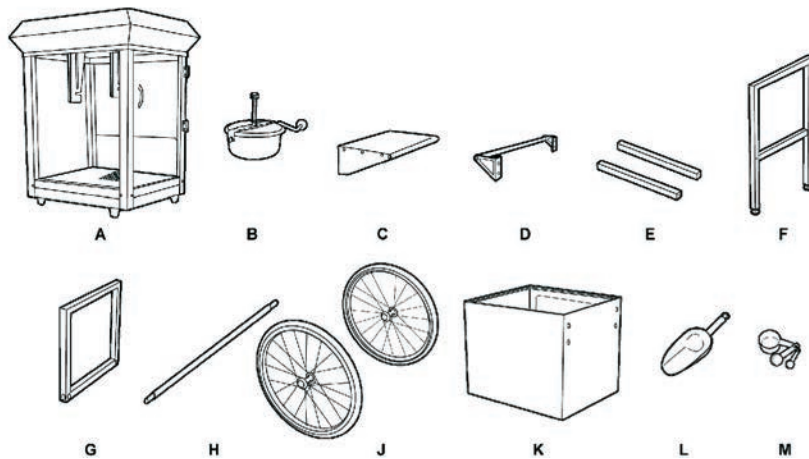
8OZ POPPER ASSEMBLY

Note: Main unit alone can be used when placed on a stable countertop for operation.

Voltage: AC 120V-60Hz
Input Power: 850W



Caution: Make sure that the feet are tightly secured to the long stand and cannot be removed without the use of a tool.



OPERATING PROCEDURES

Please Note: If you are using your popper for the first time, clean the interior of the glass surfaces and wipe the inside of your popper with a clean damp sponge before heat is applied. Please follow these procedures for the best operating results and long machine life.

1. Place the corn popper on a dry, level surface. Protect from rain and other weather elements. Do not install near pool or water. Plug the unit into a suitable grounded electrical outlet. (Please check the electrical specs. Be sure that your power source matches the rating label specified next to the power cord).
2. The Main unit has 3 function switches: Spot Light and warmer, Stirrer and Pot Heater.



Spot Light and warmer (I)



Stirrer (II)



Stainless Steel Pot Heater (III)

3. Hook the stainless steel pot onto the hanger of the main unit. (**Note:** Roller bar should be on the door side and also check to be sure that the gears between pot and ceiling are perfectly matched).
4. Plug in the power cord to the popcorn maker.
5. Switch the light and heater to ON (I & III) and then add a suitable amount of butter or oil (Fig. 1). While the amount is dependent upon your taste, please do not exceed 1/2oz.

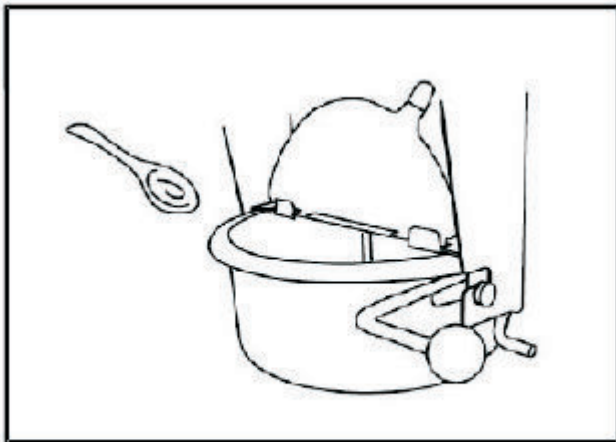


Fig. 1

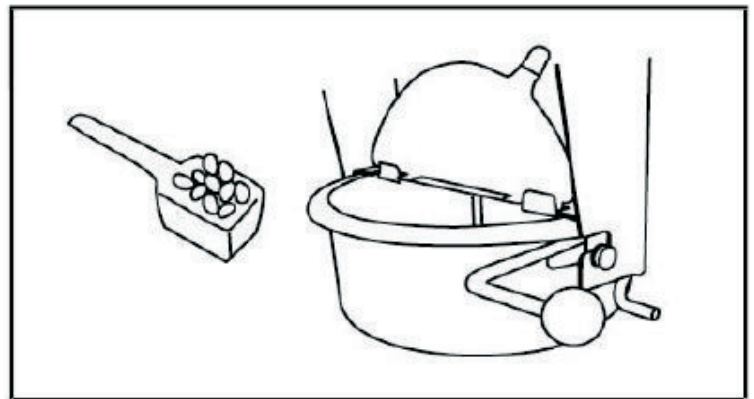


Fig.2

6. Preheat kettle for 3 to 4 minutes with oil added (until steam comes out from the pot). If using The Great Northern Popcorn Co. Gourmet Tri-Pak, cut off top of oil section on pouch and squeeze oil into pot.

Please Note: DO NOT USE LIQUID SUGAR OR HONEY AS THIS MAY DAMAGE KETTLE AND CAUSE SMOKING AND/OR INJURY FROM HOT SUGAR.

7. Next pour popcorn and seasoning from Gourmet Tri-Pak pouch into pre-heated oil. (Fig, 2) If using bulk kernels, measure the amount of corn by using the measuring scoop provided. Use one scoop per batch. Open the lid and add the popcorn. **Caution:** Lid is hot; we recommend wearing oven mitts or potholders. Close lid.

OPERATING PROCEDURES-Continued

8. Switch the Stirrer to ON (II). (Fig. 3)
9. Close the doors on the main unit carefully.
10. Popcorn starts popping out through the lid after about 2 to 3 minutes. (Fig. 4)
11. When popping stops (no more popping sound from pot), switch the stirrer and pot heater to OFF (II & III) Popping is completed. Rotate the roller bar of the pot and pour out all remaining popcorn. Gently shake if necessary.
12. Heater switch (III) must remain OFF if the unit is not popping. Only the spot light warmer should be left ON, this will keep the popcorn warm, dry and tasty for a longer period of time.
13. Serve popcorn with scoop provided. **Note:** Do not add butter or other liquid flavoring in main unit popcorn bin. Avoid a big mess! Remove popcorn to suitable serving bowl or popcorn before adding this type of flavoring.
14. Always remove plug from power supply before cleaning and if the unit is not being used for a period time.
15. Repeat steps 7-10 to continue popping.

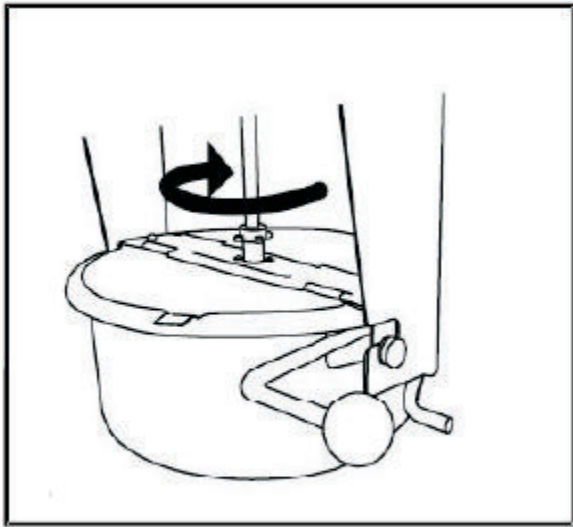


Fig. 3

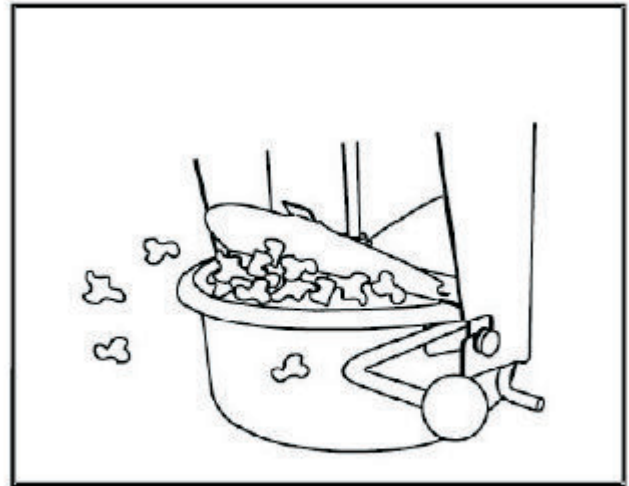


Fig. 4

CLEANING AND MAINTENANCE



CAUTION

- After popping cycle is complete, the popping pot will be very hot. Use extreme care when handling.
 - Remember to turn the heat switch to the OFF position after the finish of the pop cycle.
 - Unplug unit *BEFORE* removing heat pot from hanger. Use caution not to bump heat lamp bulb during pot removal.
-
- To maintain quality taste and popping conditions in your popper, we recommend that you thoroughly clean the heat pot after using 3 to 4 times or before prolonged periods of storage.
 - Switch OFF (II & III). Allow the popper to thoroughly cool before cleaning.
 - Clean all surfaces with a damp cloth. Do not immerse the kettle or any other part of the popper in water.
- Caution:** Hot kettle! Handle with oven mitts. Keep children at a safe distance from popper during procedure.
-
- Switch OFF the machine and wait for the popping pot to cool. Clean the inside and outside of the pot with a wet towel. **Caution:** DO NOT immerse the heat pot in water.
 - After using the popcorn machine, users should use wet towel to clean up the main unit, main body and glasses; we strongly recommend tidying up the rubbish tray frequently so that there is no food spoilage left behind.

MSUTM

MICHIGAN STATE

U N I V E R S I T Y