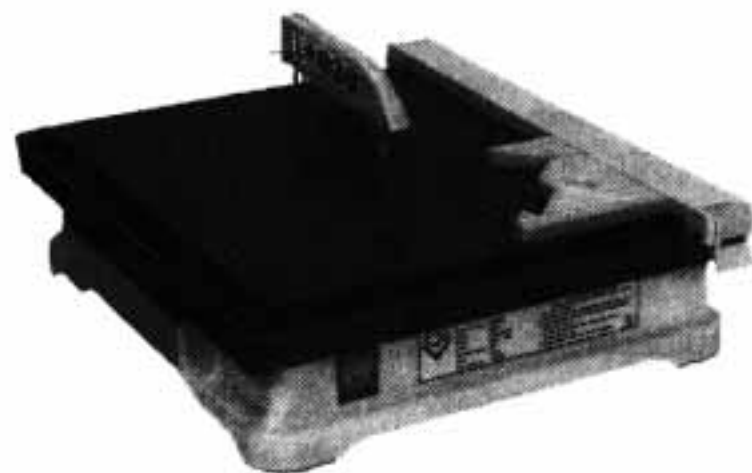


60084A



4" CERAMIC TILE WET SAW

OWNER'S MANUAL and Parts List



CAUTION!

Read and follow all safety and operating instruction before using this saw



Q.E.P. CO., INC.
1081 Holland Drive
Boca Raton, FL 33487
www.qep.com

60084A

CERAMIC TILE WET SAW OWNER'S MANUAL

! CAUTION !

**READ AND FOLLOW ALL SAFETY AND OPERATING
INSTRUCTIONS BEFORE USING THIS TILE SAW**

CONTENTS

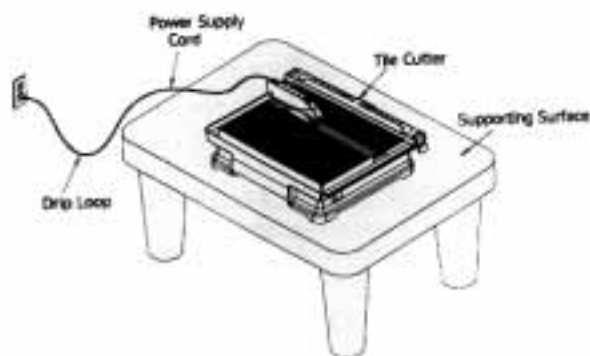
SAFETY INSTRUCTIONS FOR TILE SAW.....	1
ELECTRICAL REQUIREMENTS.....	2-3
WARNING.....	3
SAFETY GUIDELINES.....	4
FEATURES OF THE TILE SAW.....	5
ASSEMBLY & SET UP.....	5-6
ELECTRICAL & MOTOR SPECIFICATIONS.....	7
EXPLODED VIEW.....	8
PARTS LIST.....	9

SAFETY INSTRUCTIONS FOR TILE SAW

- **KEEP GUARDS IN PLACE** and in working order.
- **REMOVE ADJUSTING KEYS AND WRENCHES.** Always check to see that keys and adjusting wrenches are removed from tool before turning it on.
- **KEEP WORK AREA CLEAN.** Cluttered areas and benches invite accidents.
- **DON'T USE IN DANGEROUS ENVIRONMENT.** Don't use power tools in damp or wet locations, or expose them to rain. Keep work area well lighted.
- **KEEP CHILDREN AWAY.** All visitors should be kept at a safe distance from work area.
- **MAKE WORKSHOP CHILD PROOF.** Remove blade and accessories, and store tile saw in a secure/locked area.
- **DON'T FORCE TOOL.** It will do the job better and safer at the rate for which it was designed.
- **USE RIGHT TOOL.** Don't force tool or attachment to do a job for which it was not designed.
- **WEAR PROPER APPAREL.** Do not wear loose clothing, gloves, neckties, rings, bracelets, or other jewelry, which may get caught in moving parts. Non-slip footwear is recommended. Wear protective hair covering to contain long hair.
- **ALWAYS USE SAFETY GLASSES.** Also use face or dust mask if cutting operation is dusty. Everyday eyeglasses only have impact resistant lenses, they are NOT safety glasses.
- **SECURE WORK.** Use clamps or a vise to hold work when practical. It's safer than using your hand and it frees both hands to operate tool.
- **DON'T OVERREACH.** Keep proper footing and balance at all times.
- **MAINTAIN TOOLS WITH CARE.** Keep tools sharp and clean for best and safest performance. Follow instructions for lubricating and changing accessories.
- **DISCONNECT TILE SAW** before servicing; when changing accessories (i.e. blades).
- **REDUCE THE RISK OF UNINTENTIONAL STARTING.** Make sure switch is in off position before plugging in.
- **USE RECOMMENDED ACCESSORIES.** Consult the owner's manual for recommended accessories. The use of improper accessories may cause risk of injury to persons.
- **BE CAREFUL.** Serious injury could occur if the tool is tipped or if the tile saw is unintentionally contacted.
- **CHECK DAMAGED PARTS.** Parts that are damaged should be carefully checked to determine that tile saw will operate properly and perform its intended function – check for alignment of moving parts, binding of moving parts, breakage of parts, mounting, and any other conditions that may affect its operation. All damaged parts that are damaged should be properly repaired or replaced.

- **DIRECTION OF FEED.** Feed work into the blade against the direction of rotation of the blade.
- **NEVER LEAVE TILE SAW RUNNING UNATTENDED. TURN POWER OFF.** Don't leave or touch blade until it comes to a complete stop.
- **POSITIONING OF TILE SAW**

A. To avoid the possibility of the appliance plug or receptacle getting wet, position the tile saw to one side of a wall-mounted receptacle to prevent water from dripping onto the receptacle or plug. The user should arrange a "drip loop" in the cord connecting the saw to a receptacle. The "drip loop" is that part of the cord below the level of the receptacle or connector if an extension cord is used, to prevent water traveling along the cord and coming in contact with the receptacle.



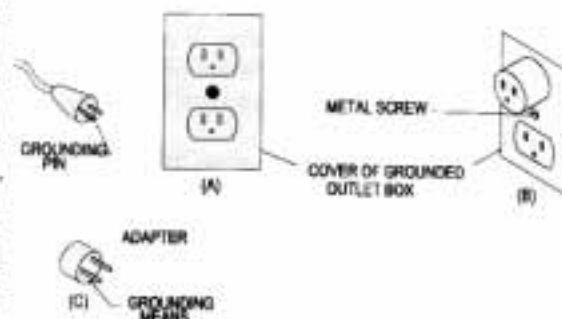
B. If the plug or receptacle does get wet, DO NOT unplug the cord. Disconnect the fuse or circuit breaker that supplies power to the tool. Then, unplug and examine for presence of water in the receptacle.

ELECTRICAL REQUIREMENTS

- **CONNECTING TOOL TO POWER SOURCE OUTLET.** This machine source must be grounded while in use to protect the operator from electrical shock.
- In the event of a malfunction or breakdown, grounding provides a path of least resistance for electrical current to reduce the risk of electrical shock. This tool is equipped with an electric cord having equipment grounding conductor and a grounding plug. The plug must be plugged into a matching outlet that is properly installed and grounded in accordance with all local codes and ordinances.
- Do not modify the plug provided if it will not fit the outlet. Have the proper outlet installed by a qualified electrician.
- Improper connection of the equipment-grounding conductor can result in a risk of electric shock. If repair or replacement of the electric cord or plug is necessary, do not connect the equipment-grounding conductor to a live terminal.
- Check with a qualified electrician or service personnel if the grounding instructions are not completely understood, or if in doubt as to whether the tool is properly grounded.
- Use only 3-wire extension cords that have 3-prong grounding plugs and 3-pole receptacles that accept the tool's plug.

- Repair or replace damaged or worn cord immediately.
- To avoid the possibility of the appliance plug or receptacle getting wet, position tile saw to one side of a wall-mounted receptacle to prevent water from dripping onto the receptacle or plug. The user should arrange a "drip loop" in the cord connecting the saw to a receptacle. The "drip loop" is that part of the cord below the level of the receptacle, or the connector if an extension cord is used, to prevent water traveling along the cord and coming in contact with the receptacle.
- If the plug or receptacle does get wet, DON'T unplug the cord. Disconnect the fuse or circuit breaker that supplies power to the tool. Then unplug and examine for presence of water in the receptacle.
- Only UL Listed extension cords should be used with this product.
- Improper use of extension cords may cause inefficient operation of your tool, which can result in overheating. Be sure your extension cord is rated to allow sufficient current flow to the motor. For the proper gauge for your tools, see chart.
- Do not let your fingers touch the terminals of plug when installing or removing the plug to or from the outlet.
- If not properly grounded, this tile saw can incur the potential hazard of electrical shock particularly when used in damp locations or in proximity to plumbing.

This tool is intended for use on a circuit that has an outlet that looks like the one illustrated in Figure (A). The tool has a grounding plug that looks like the plug illustrated in Figure (A). A temporary adapter, which looks like the adaptor illustrated in Figure (B) and (C), may be used to connect this plug to a 2-pole receptacle as shown in Figure (B) if a properly grounded outlet is not available. The temporary adapter should be used only until a properly grounded outlet can be installed by a qualified electrician.



WARNING

For Your Own Safety Read Instruction Manual Before Operating Saw

- Wear eye protection.
- Use blade guard when cutting.
- Disconnect saw before servicing, when changing cutting wheels, and cleaning.
- Use tile saw only with a 4" continuous rim diamond blade
- Replace damaged blades before operating.
- Do not fill water reservoir above water fill line.

USE PROPER EXTENSION CORD. Make sure your extension cord is in good condition. When using an extension cord, be sure to use one heavy enough to carry the current your product will draw. An undersized cord will cause a drop in line voltage resulting in loss of power and overheating. Table below shows the correct size to use depending on cord length and amp rating. If in doubt, use the next heavier gauge. The smaller gauge number, the heavier the cord.

MINIMUM GAUGE FOR CORD	18 AWG	16 AWG	16 AWG	14 AWG
TOTAL LENGTH OF CORD IN FEET	25 ft	50 ft	100 ft	150 ft

SAFETY GUIDELINES

READ THIS OWNER'S MANUAL COMPLETELY AND MAKE SURE YOU UNDERSTAND ALL SAFETY GUIDELINES.

- ❖ Make sure the power switch on your tile saw is in the "OFF" position before plugging it in.
- ❖ Do not leave the tile saw unattended while it is running. Always return the power to the "OFF" position when not in use.
- ❖ Always wear safety goggles, dust mask, and ear protection when operating the tile saw.
- ❖ Always remain alert when the tile saw is in use. Distractions on the part of the operator may lead to a serious injury.
- ❖ Keep children away. All visitors should be kept at a safe distance from work area.
- ❖ Always keep the blade guard in the down position while operating the tile saw.
- ❖ Disconnect the unit from its power source before installing or changing blades and before cleaning or servicing the tile saw.
- ❖ Be careful. Serious injuries could occur if the tool is tipped, falls or if the blade is unintentionally contacted.
- ❖ Do not directly wash the bottom of the motor.
- ❖ Do not force the material being cut. Always let the blade cut at its own speed.
- ❖ Do not force a tool to do a job it isn't designed to do.
- ❖ Make sure you use the correct blade for the job you are doing.
- ❖ This tile saw is equipped with a three-prong electrical plug. Do not alter the plug or use a two-prong receptacle.
- ❖ Keep your work space clear and free of all debris.
- ❖ Keep the tile saw clean and maintained to achieve the safest and highest performance for each job.

FEATURES OF THE TILE SAW

- ❖ Direct drive Motor.
- ❖ Wet cutting.
- ❖ Water reservoir completely separated from all electrical components.
- ❖ 4" continuous rim diamond blade included for cutting tile and other materials.
- ❖ Adjustable table for precision angle cuts (15°, 30°, 45°)
- ❖ Depth of cut with a 4" blade is 20mm.

ASSEMBLY & SETUP

CAUTION: Follow all of the assembly & installation instructions completely before connecting the tile saw to a power source or turning the motor on.

The contents of the box are as follows:

- 4" Diamond Blade
- 45° Angle Cutting Guide
- Blade Guard
- Owner's Manual
- Rip Guide

NOTE: The right (narrow) table top can be removed by bending the pivot tab at the front, or back. -Lift the table up to remove. (Diagram 2)

- Place the blade onto the shaft, pushing it up against the inner washer. Make sure the directional arrows on the blade are facing towards you. Place the outer washer and blade shaft nut, then tighten the blade shaft nut. Make certain the wing nut is firmly tightened. Do not over-tighten! Install the blade guard by inserting the steel arm in the slot behind the blade opening, as shown in Diagram 1.



DIAGRAM 1

- Place the Rip Guide on the top of the cutting table and tighten wing screw into its support nut. The guide is marked in both inches and centimeters for accurate cutting. Rip guide can be used on either side of the cutting blade. (See diagram 2)



DIAGRAM 2

- For straight cutting, after the rip guide is positioned for the desired cut, place the material flush against the rip guide then push the material towards the blade. (See diagram 3)



DIAGRAM 3

- For miter cutting, raise the tip-up cutting table to the desired angle, you can choose 15°, 30°, 45°. Place the material face down onto the cutting table and you are ready to cut. (See diagram 4)



DIAGRAM 4

- For 45° angle cutting, put the tile and 45° angle cutting bar together. Then push towards the blade to cut the tile. (See diagram 5)

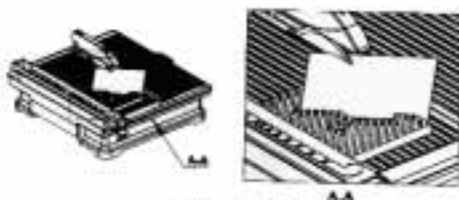


DIAGRAM 5

- For wet cutting fill the reservoir with water to the recommended level.

For longer tool life and best performance:

- Always clean the tile saw after each use.
- Wipe off all exterior surfaces and keep the cutting table clean and free of all debris.
- Always let the blade cut at its own speed. Do not force the material being cut.
- Always check the blade for cracks or signs of damage.
- Always clean the reservoir thoroughly after use.
- Always store the electrical cord underneath the saw after use.
- Always keep water level at the recommended level. Do not overfill or allow the saw to run dry. Add water if necessary.
- Never attempt to service the internal parts of the motor by yourself as this will void your guarantee.

ELECTRICAL & MOTOR SPECIFICATIONS

120 VOLT MOTOR SPECIFICATIONS	
● Volts	120 V
● Cycle	60 Cycle
● RPM	3600 RPM
● Amps/Watts	1.5 Amps
● Phase	1

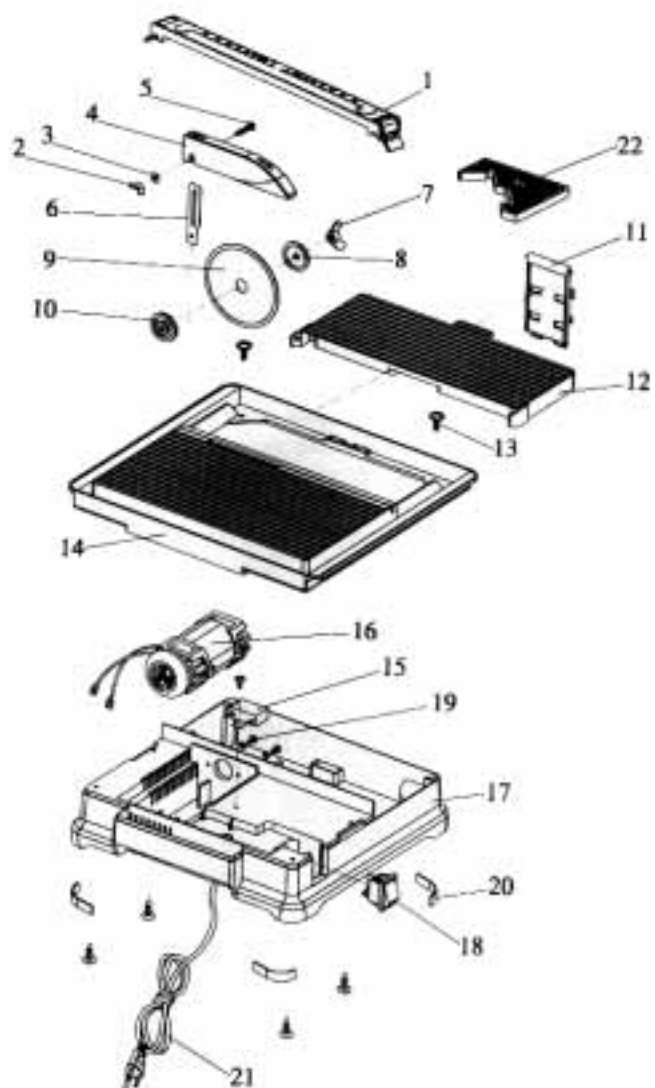
Connect Tile Saw as close as possible to power source.

EXTENSION CORDS:

Use proper extension cord and make sure your extension cord is in good condition. When using an extension cord, make sure all cords are no smaller than a #18 gauge and equipped with 3 prong plugs. Use of anything smaller may result in the overheating or burn out of the motor. It is recommended to have an electrician check the incoming voltage prior to usage to ensure safe and efficient use. The smaller the gauge number the heavier the cord.

AUTION: To avoid permanent motor damage you must use the correct extension cord. Never use more than one extension cord at a time.

EXPLODED VIEW



60084A PARTS LIST

	PARTS #	PARTS NAME	QTY
1	60084A-1	Rip guide	1
2	60084A-2	Wing nut	1
3	60084A-3	Washer	1
4	60084A-4	Blade guard	1
5	60084A-5	Screw for wing nut (Guard)	1
6	60084A-6	Guard support	1
7	60084A-7	Wing nut	1
8	60084A-8	Outer washer	1
9	50004	Blade	1
10	60084A-10	Inner washer	1
11	60084A-11	Miter support	1
12	60084A-12	Right cutting table	1
13	60084A-13	Screw for cutting table	7
14	60084A-14	Left cutting table	1
15	60084A-15	Capacitor	1
16	60084A-16	Motor	1
17	60084A-17	Frame	1
18	60084A-18	Switch	1
19	60084A-19	Screw for motor	2
20	60084A-20	Rubber stand	4
21	60084A-21	Electrical cord	1
22	60084A-22	45° Angle Cutting guide	1

Q.E.P. CO., INC.
 BOCA RATON, FL 33487
www.qep.com