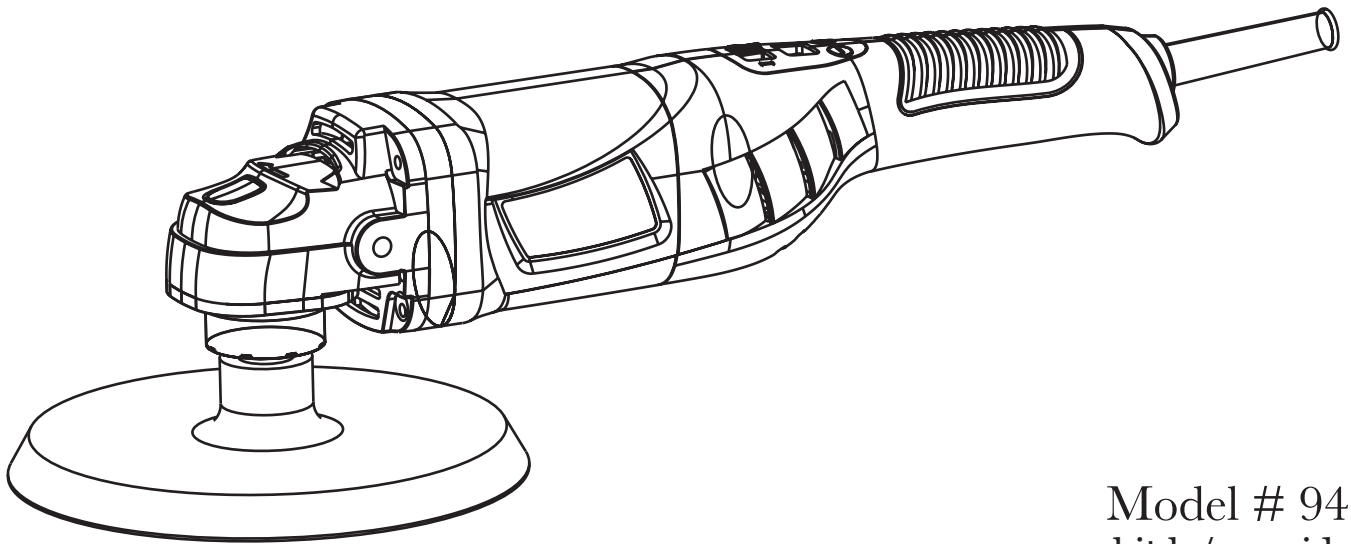




# 7-INCH POLISHER



Model # 948  
[bit.ly/wenvideo](http://bit.ly/wenvideo)


## IMPORTANT:

Your new tool has been engineered and manufactured to WEN's highest standards for easy operation, dependability and maximum user safety. When properly cared for, this product will supply rugged, trouble-free performance. Pay close attention to the rules for safe operation, warnings and cautions. If you use your tool properly and for its intended purpose, you will enjoy years of safe, reliable service.



## NEED HELP? CONTACT US!

Have product questions? Need technical support?  
Please feel free to contact us at:

 **800-232-1195** (M-F 8AM-5PM CST)

 [techsupport@wenproducts.com](mailto:techsupport@wenproducts.com)

 [WENPRODUCTS.COM](http://WENPRODUCTS.COM)

## TABLE OF CONTENTS

---

Technical Data .....	2
General Safety Rules .....	3
Specific Safety Rules For Polishing .....	4
Electrical Information .....	6
Know Your Polisher .....	7
Assembly .....	7
Polishing Instruction .....	8
Maintenance .....	9
Exploded View and Parts List .....	10
Warranty .....	12

## TECHNICAL DATA

---

Model Number:	948
Motor:	120 V, 60 Hz, 10 A
Speed:	0 to 3500 RPM
Pad Size:	7 inch
Cord length:	6-1/2 ft
Product Weight:	5 lbs
Product Dimensions:	7 x 8 x 17 inches

## GENERAL SAFETY RULES

---

Safety is a combination of common sense, staying alert and knowing how your item works. **SAVE THESE SAFETY INSTRUCTIONS.**



**WARNING:** To avoid mistakes and serious injury, do not plug in your tool until the following steps have been read and understood.

1. **READ** and become familiar with this entire instruction manual. **LEARN** the tool's applications, limitations, and possible hazards.
2. **AVOID DANGEROUS CONDITIONS.** Do not use power tools in wet or damp areas or expose them to rain. Keep work areas well lit.
3. **DO NOT** use power tools in the presence of flammable liquids or gases.
4. **ALWAYS** keep your work area clean, uncluttered, and well lit. **DO NOT** work on floor surfaces that are slippery with sawdust or wax.
5. **KEEP BYSTANDERS AT A SAFE DISTANCE** from the work area, especially when the tool is operating. **NEVER** allow children or pets near the tool.
6. **DO NOT FORCE THE TOOL** to do a job for which it was not designed.
7. **DRESS FOR SAFETY.** Do not wear loose clothing, gloves, neckties, or jewelry (rings, watches, etc.) when operating the tool. Inappropriate clothing and items can get caught in moving parts and draw you in. **ALWAYS** wear non-slip footwear and tie back long hair.
8. **WEAR A FACE MASK OR DUST MASK** to fight the dust produced by sawing operations.



**WARNING:** Dust generated from certain materials can be hazardous to your health. Always operate the tool in a well-ventilated area and provide for proper dust removal. Use dust collection systems whenever possible.

9. **ALWAYS** remove the power cord plug from the electrical outlet when making adjustments, changing parts, cleaning, or working on the tool.
10. **KEEP GUARDS IN PLACE AND IN WORKING ORDER.**
11. **AVOID ACCIDENTAL START-UPS.** Make sure the power switch is in the **OFF** position before plugging in the power cord.
12. **REMOVE ADJUSTMENT TOOLS.** Always make sure all adjustment tools are removed from the saw before turning it on.
13. **NEVER LEAVE A RUNNING TOOL UNATTENDED.** Turn the power switch to **OFF**. Do not leave the tool until it has come to a complete stop.
14. **NEVER STAND ON A TOOL.** Serious injury could result if the tool tips or is accidentally hit. **DO NOT** store anything above or near the tool.

## GENERAL SAFETY RULES

---

15. **DO NOT OVERREACH.** Keep proper footing and balance at all times. Wear oil-resistant rubber-soled footwear. Keep the floor clear of oil, scrap, and other debris.
16. **MAINTAIN TOOLS PROPERLY.** ALWAYS keep tools clean and in good working order. Follow instructions for lubricating and changing accessories.
17. **CHECK FOR DAMAGED PARTS.** Check for alignment of moving parts, jamming, breakage, improper mounting, or any other conditions that may affect the tool's operation. Any part that is damaged should be properly repaired or replaced before use.
18. **MAKE THE WORKSHOP CHILDPROOF.** Use padlocks and master switches and ALWAYS remove starter keys.
19. **DO NOT** operate the tool if you are under the influence of drugs, alcohol, or medication that may affect your ability to properly use the tool.
20. **USE SAFETY GOGGLES AT ALL TIMES** that comply with ANSI Z87.1. Normal safety glasses only have impact resistant lenses and are not designed for safety. Wear a face or dust mask when working in a dusty environment. Use ear protection such as plugs or muffs during extended periods of operation.

## SPECIFIC RULES FOR POLISHING

---



**WARNING:** Do not operate this tool until it is completely assembled and installed according to the instructions.

1. Hold your power tool by the insulated gripping surfaces, especially when performing an operation where the polishing accessory could contact hidden wiring.
2. Protect your lungs. Wear a face or dust mask during operation. Following this rule will reduce the risk of serious respiratory injury.
3. Protect your hearing. Wear hearing protection during extended periods of operation. Following this rule will reduce the risk of serious personal injury.
4. Inspect power cords periodically and repair them as needed at your nearest authorized service center. Constantly stay aware of cord location. Following this rule will reduce the risk of electric shock or fire.
5. Check damaged parts. Before further use of the tool, determine that it will operate properly and perform its intended function. Check for alignment, binding or breakage of moving parts or any other conditions that may affect its operation. A guard or other part that is damaged should be properly repaired or replaced by an authorized service center. Following this rule will reduce the risk of shock, fire, or serious injury.
6. If the power cord is damaged, it must be replaced only by the manufacturer or by an authorized service center.
7. Save these instructions. Refer to them frequently and use them to instruct others who may use this product. If you loan someone this product, loan them these instructions also.

## SPECIFIC RULES FOR POLISHING

---

### **Vibration safety**

This tool vibrates during use. Repeated or long-term exposure to vibration may cause temporary or permanent physical injury, particularly to the hands, arms and shoulders.

To reduce the risk of any vibration-related injury:

1. First be examined by a doctor and then have regular medical check-ups to ensure medical problems are not being caused or worsened from use. Pregnant women or people who have impaired blood circulation to the hand, past hand injuries, nervous system disorders, diabetes, or Raynaud's Disease should not use this tool. If you feel any symptoms related to vibration (such as tingling, numbness, and white or blue fingers), seek medical advice as soon as possible.
2. Do not smoke during use. Nicotine reduces the blood supply to the hands and fingers, increasing the risk of vibration-related injury.
3. Wear suitable gloves to reduce the vibration effects on the user.
4. Use tools with the lowest vibration when there is a choice.
5. Take vibration-free breaks during each day of work.
6. Grip tool as lightly as possible (while still keeping safe control of it). Let the tool do the work.
7. To reduce vibration, maintain the tool as explained in this manual. If any abnormal vibration occurs, stop use immediately.

# ELECTRICAL INFORMATION

---

## DOUBLE INSULATION

Double insulation is a concept in safety in electric power tools, which eliminates the need for the usual three-wire grounded power cord. All exposed metal parts are isolated from the internal metal motor components with protecting insulation. Double insulated tools do not need to be grounded.

**WARNING:** The double insulated system is intended to protect the user from shock resulting from a break in the tool's internal insulation. Observe all normal safety precautions to avoid electrical shock.

**NOTE:** Servicing of a product with double insulation requires extreme care and knowledge of the system and should be performed only by a qualified service technician. For service, we suggest you return the product to your nearest authorized service center for repair. Always use original factory replacement parts when servicing.

## ELECTRICAL CONNECTION

This product has a precision-built electric motor. It should be connected to a power supply that is 120 volts, AC only (normal household current), 60 Hz. Do not operate this product on direct current (DC). A substantial voltage drop will cause a loss of power and the motor will overheat. If the product does not operate when plugged into an outlet, double-check the power supply.



**WARNING:** This tool is for indoor use only. Do not expose to rain or use in damp locations.

## GUIDELINES FOR USING EXTENSION CORDS

Make sure your extension cord is in good condition. When using an extension cord, be sure to use one heavy enough to carry the current your product will draw. An undersized cord will cause a drop in line voltage resulting in loss of power and overheating. The table below shows the correct size to be used according to cord length and nameplate ampere rating. When in doubt, use a heavier cord. The smaller the gauge number, the heavier the cord.

AMPERAGE	REQUIRED GAUGE FOR EXTENSION CORDS			
	25 ft.	50 ft.	100 ft.	150 ft.
10 A	18 gauge	16 gauge	16 gauge	14 gauge

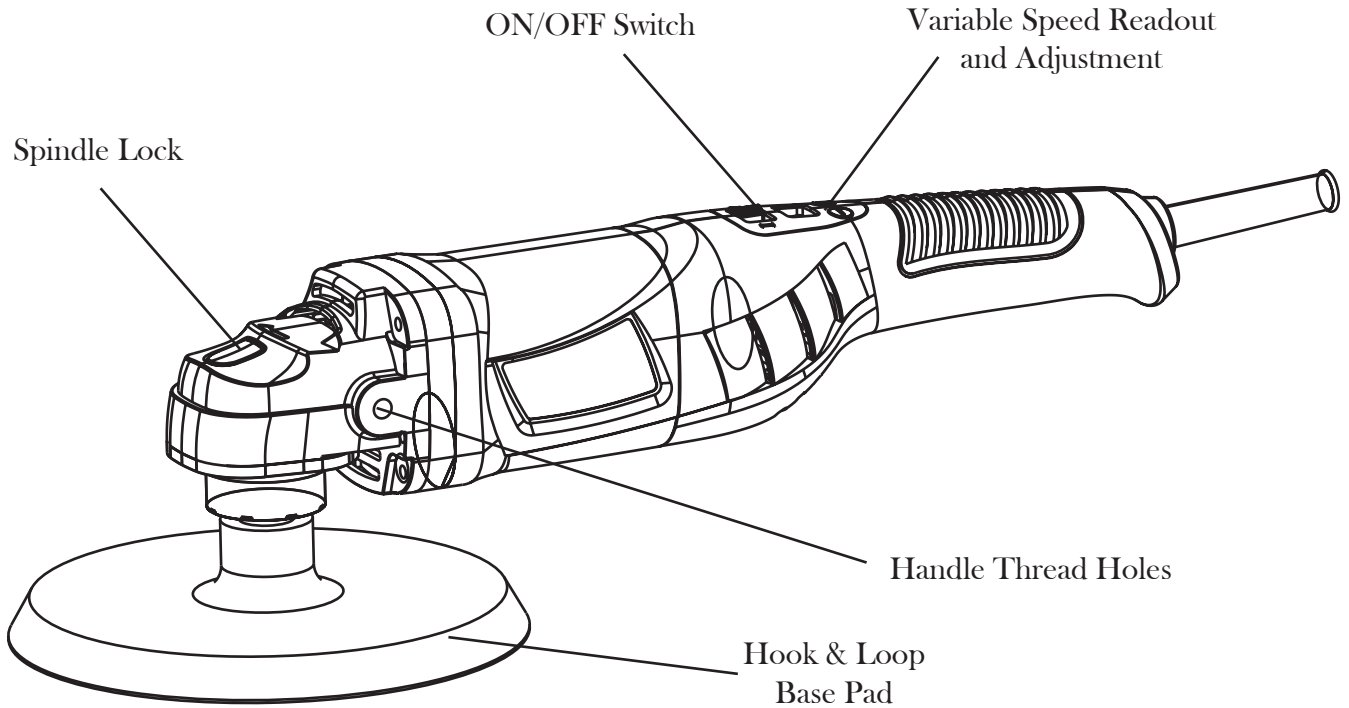
Make sure your extension cord is properly wired and in good condition. Always replace a damaged extension cord or have it repaired by a qualified person before using it.

Protect your extension cords from sharp objects, excessive heat and damp/wet areas.

Use a separate electrical circuit for your tools. This circuit must not be less than a #12 wire and should be protected with a 15 A time-delayed fuse. Before connecting the motor to the power line, make sure the switch is in the OFF position and the electric current is rated the same as the current stamped on the motor nameplate. Running at a lower voltage will damage the motor.

# KNOW YOUR POLISHER

---



## ASSEMBLY

---

### TOOL SET UP



**WARNING:** To avoid injury from accidental startups, turn switch OFF and remove the plug from the power source outlet before making any adjustments.

1. Press the spindle lock button located on the top of the head of the polisher. This prevents the spindle from rotating, allowing for installation of the hook & loop base pad. While pressing down the spindle lock button, screw the base pad tightly into place.
2. Attach the handle by sliding it into the place over the handle thread holes. Fasten it in place by using the hex key to tighten bolts and washers on either side of the handle.
3. Choose your pad of choice. Securely attach it to the center of the hook & loop fastener base pad.

# POLISHING INSTRUCTIONS

---

Always be sure the polisher is switched off and unplugged before assembling parts, making adjustments, assembling or replacing the Velcro base pad, assembling or replacing the polishing pad, or checking the functionality of the polisher.

## ON/OFF SWITCH

Push the on/off switch forward as the arrow of “I” position shown to start the polisher. Push the switch backward as the arrow of “O” position shown to stop the polisher.

## VARIABLE SPEED

Press the plus (+) button to increase the speed and the minus (-) button to decrease the speed. Below are suggestions for waxing operations. Avoid holding the polisher completely flat against a surface in one location, otherwise you run the risk of damaging the coat. These are purely guidelines for beginners - advanced users are advised to follow their own preferences.

SPEED RANGE	OPERATION
0 to 700 RPM	Finishing and Detailing
700 to 1500 RPM	Compounding and Waxing
1500 to 2400 RPM	Polishing and Buffing
2400 to 3500 RPM	Heavy Correction Work

## A FEW TIPS ON WAXING AND POLISHING A CAR

- Be mindful when polishing around or over sharp corners or contours of an object, using less pressure than you would elsewhere.
- Wax at a 15° angle to avoid streaking on the body of the car.
- Before applying any wax or compounding solution, make sure to wash the vehicle with soap and water. Remove all dirt and bug residue from the surface and then dry completely with a clean microfiber towel. Use polishing clay after cleaning if you want to give the extra 10 percent.
- Mask off areas such as handles, mirrors, bumpers, molding and decals to combat possible damage from the polisher. Attach a clean polishing pad to your tool. Try to keep the pad dry, otherwise waxing and application will become increasingly difficult.
- Apply all solutions to a two by two foot area before moving on to the next two by two foot area of the car. It is recommended to not compound and wax in direct sunlight; use a shaded area or a garage if possible. Read the instructions on your bottles of wax and compound to ensure that these are the right directions, as suggested application changes slightly depending on the product.
- If done correctly, water droplets will form tiny beads on the surface of the car’s finish. Feel free to try out different things and figure out a personal style that works best for you and your vehicle.



## MAINTENANCE

---



### TO PREVENT SERIOUS INJURY FROM ACCIDENTAL OPERATION:

Make sure that the trigger is in the “O” off-position and unplug the tool from its electrical outlet before performing any procedure in this section.



### TO PREVENT SERIOUS INJURY FROM TOOL FAILURE:

Do not use damaged equipment. If abnormal noise or vibration occurs, have the problem corrected before further use.

**BEFORE EACH USE**, inspect the general condition of the tool. Check for:

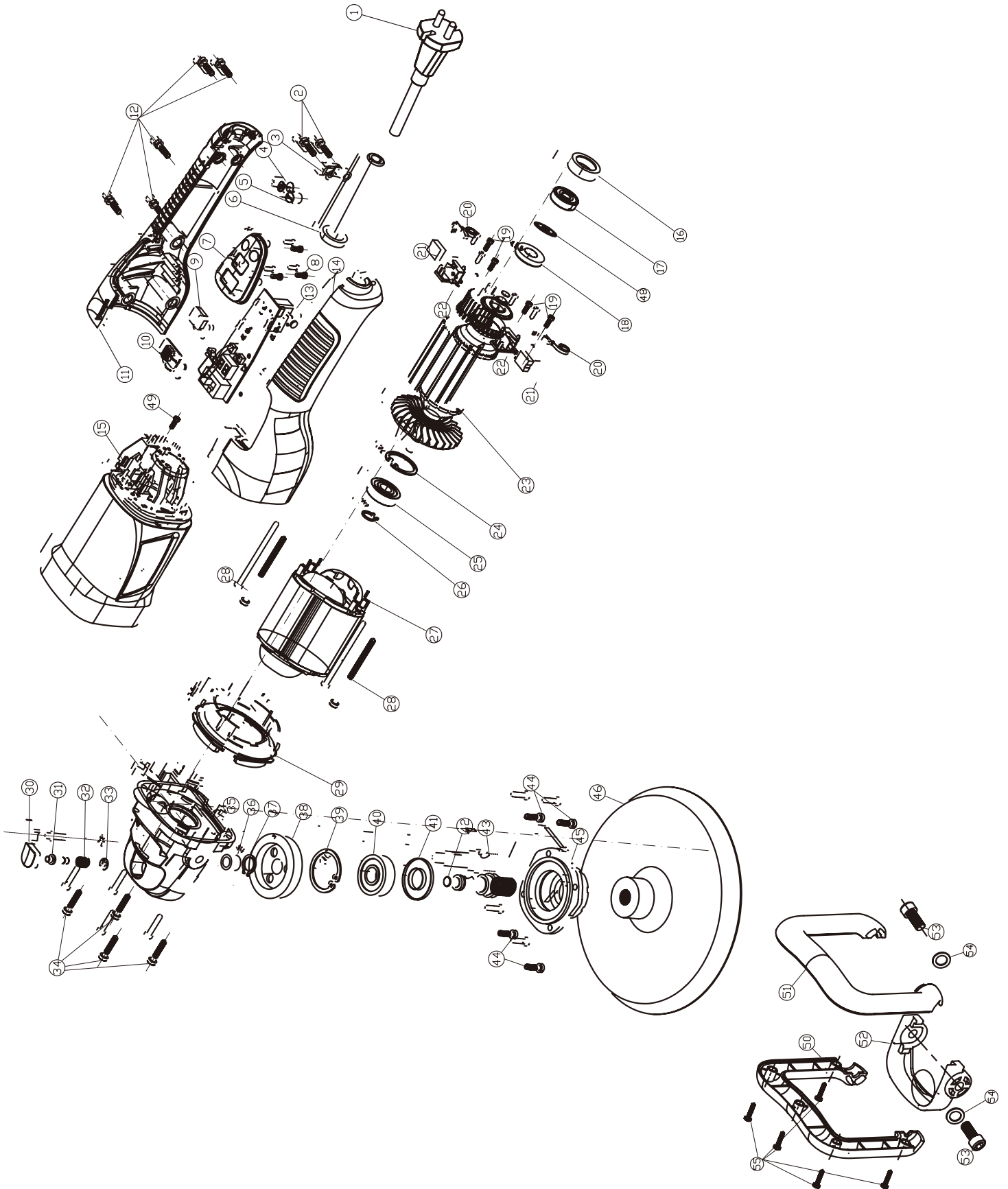
- loose hardware,
- misalignment or binding of moving parts,
- damaged cord/electrical wiring,
- cracked or broken parts, and
- any other condition that may affect its safe operation.

**AFTER USE**, wipe external surfaces of the tool with clean cloth.



**WARNING!** If the supply cord of this power tool is damaged, it must be replaced only by a qualified service technician.

# EXPLODED VIEW AND PARTS LIST



## EXPLODED VIEW AND PARTS LIST

---

Part No.	Description
948-001	Cable
948-002	Tapping Screw
948-003	Cable Clamp
948-004	Speed Increase Button
948-005	Speed Reduction Button
948-006	Cable Sheath
948-007	Switch Base
948-008	Tapping Screw
948-009	Display Screen
948-010	Shift Knob
948-011	Right Hand Grip
948-012	Tapping Screw
948-013	Circuit Board
948-014	Left Hand Grip
948-015	Motor Housing
948-016	Bearing Housing
948-017	Bearing
948-018	Magnetic Ring
948-019	Tapping Screw
948-020	Coil Spring
948-021	Carbon Brush
948-022	Carbon Brush Holder
948-023	Rotor
948-024	Hole C-Clip
948-025	Bearing
948-026	Axis C-Clip
948-027	Stator
948-028	Tapping Screw

Part. No	Description
948-029	Wind Break Ring
948-030	Arbor Lock Button
948-031	Self-Lock Pin
948-032	Lock Pin Spring
948-033	Split Washer
948-034	Tapping Screw
948-035	Gear Box
948-036	Copper Bush
948-037	Axis C-Clip
948-038	Big Gear Wheel
948-039	Hole C-Clip
948-040	Bearing
948-041	Dust Cover
948-042	Output Shaft
948-043	Key 3 x 10
948-044	Cushioned Mechanic Screw
948-045	Front Cover
948-046	Polishing Disk
948-047	Side Handle
948-048	Bearing Seal
948-049	Tapping Screw
948-050	Gasket
948-051	D-Handle
948-052	Handle Seat
948-053	Reduction Box Cover
948-054	Screw-in Reduction Box Cover
948-055	Screw

## LIMITED TWO YEAR WARRANTY

---

WEN Products is committed to building tools that are dependable for years. Our warranties are consistent with this commitment and our dedication to quality.

### LIMITED WARRANTY OF WEN CONSUMER POWER TOOLS PRODUCTS FOR HOME USE

GREAT LAKES TECHNOLOGIES, LLC (“Seller”) warrants to the original purchaser only, that all WEN consumer power tools will be free from defects in material or workmanship for a period of two (2) years from date of purchase. Ninety days for all WEN products, if the tool is used for professional use.

**SELLER’S SOLE OBLIGATION AND YOUR EXCLUSIVE REMEDY** under this Limited Warranty and, to the extent permitted by law, any warranty or condition implied by law, shall be the repair or replacement of parts, without charge, which are defective in material or workmanship and which have not been misused, carelessly handled, or misrepaired by persons other than Seller or Authorized Service Center. To make a claim under this Limited Warranty, you must make sure to keep a copy of your proof of purchase that clearly defines the Date of Purchase (month and year) and the Place of Purchase. Place of purchase must be a direct vendor of Great Lakes Technologies, LLC. Third party vendors such as garage sales, pawn shops, resale shops, or any other secondhand merchant void the warranty included with this product. Contact [techsupport@wenproducts.com](mailto:techsupport@wenproducts.com) or 1-800-232-1195 to make arrangements for repairs and transportation.

When returning a product for warranty service, the shipping charges must be prepaid by the purchaser. The product must be shipped in its original container (or an equivalent), properly packed to withstand the hazards of shipment. The product must be fully insured with a copy of the warranty card and/or the proof of purchase enclosed. There must also be a description of the problem in order to help our repairs department diagnose and fix the issue. Repairs will be made and the product will be returned and shipped back to the purchaser at no charge.

**THIS LIMITED WARRANTY DOES NOT APPLY TO ACCESSORY ITEMS THAT WEAR OUT FROM REGULAR USAGE OVER TIME INCLUDING BELTS, BRUSHES, BLADES, ETC.**

**ANY IMPLIED WARRANTIES SHALL BE LIMITED IN DURATION TO TWO (2) YEARS FROM DATE OF PURCHASE. SOME STATES IN THE U.S., SOME CANADIAN PROVINCES DO NOT ALLOW LIMITATIONS ON HOW LONG AN IMPLIED WARRANTY LASTS, SO THE ABOVE LIMITATION MAY NOT APPLY TO YOU.**

**IN NO EVENT SHALL SELLER BE LIABLE FOR ANY INCIDENTAL OR CONSEQUENTIAL DAMAGES (INCLUDING BUT NOT LIMITED TO LIABILITY FOR LOSS OF PROFITS) ARISING FROM THE SALE OR USE OF THIS PRODUCT. SOME STATES IN THE U.S. AND SOME CANADIAN PROVINCES DO NOT ALLOW THE EXCLUSION OR LIMITATION OF INCIDENTAL OR CONSEQUENTIAL DAMAGES, SO THE ABOVE LIMITATION OR EXCLUSION MAY NOT APPLY TO YOU.**

**THIS LIMITED WARRANTY GIVES YOU SPECIFIC LEGAL RIGHTS, AND YOU MAY ALSO HAVE OTHER RIGHTS WHICH VARY FROM STATE TO STATE IN THE U.S., PROVINCE TO PROVINCE IN CANADA AND FROM COUNTRY TO COUNTRY.**

**THIS LIMITED WARRANTY APPLIES ONLY TO PORTABLE ELECTRIC TOOLS, BENCH POWER TOOLS, OUTDOOR POWER EQUIPMENT AND PNEUMATIC TOOLS SOLD WITHIN THE UNITED STATES OF AMERICA, CANADA AND THE COMMONWEALTH OF PUERTO RICO. FOR WARRANTY COVERAGE WITHIN OTHER COUNTRIES, CONTACT THE WEN CUSTOMER SUPPORT LINE.**