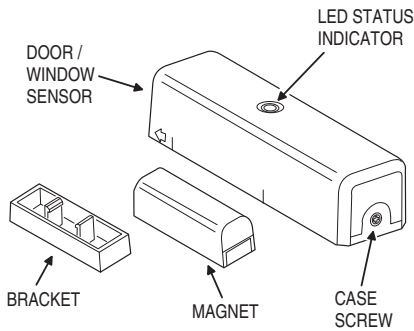


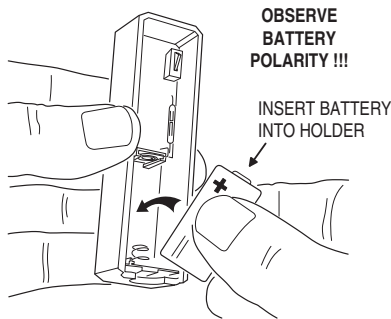
Home Security Suite Quick Programming Guide

Door / Window Sensor

1. Identify Parts

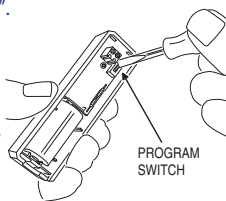


2. Insert Battery

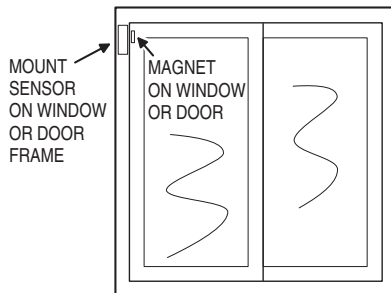


3. Add Product Via App

- Select "ADD PRODUCT".
- Select Sensors.
- Select Door / Window.
- Follow the App instructions.
- When prompted, press the Program Switch with a small tool.

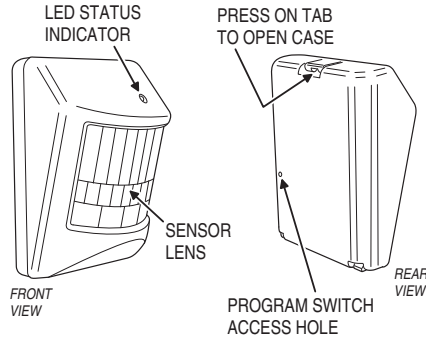


4. Install Device (refer to full instructions)

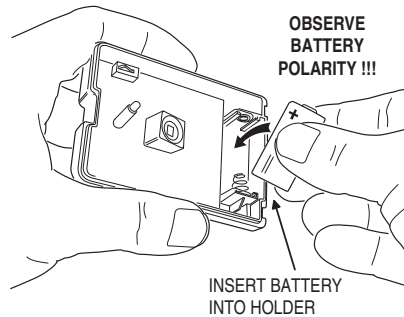


Motion Sensor

1. Identify Parts

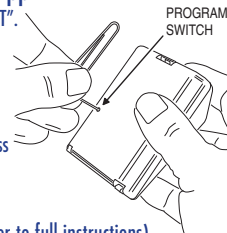


2. Insert Battery



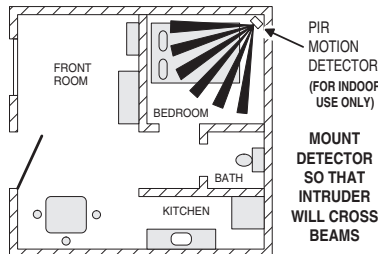
3. Add Product Via App

- Select "ADD PRODUCT".
- Select Sensors.
- Select Motion Sensor.
- Follow the App instructions.
- When prompted, press the Program Switch with a paper clip.



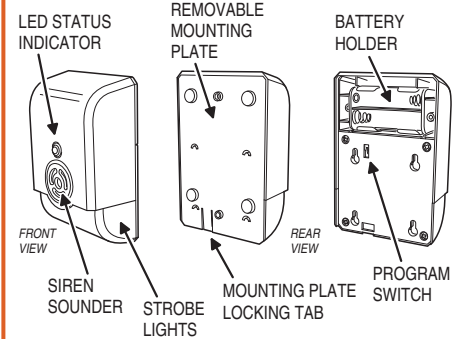
4. Install Device (refer to full instructions)

DON'T POINT AT HEAT SOURCES (HEATERS, ETC.) WINDOWS, OTHER MOTION DETECTORS OR DOOR/WINDOW TRANSMITTERS

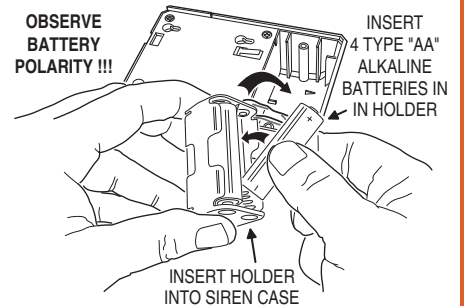


Siren / Strobe

1. Identify Parts

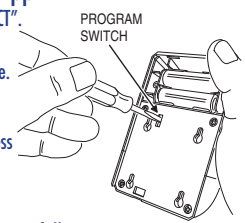


2. Insert Batteries



3. Add Product Via App

- Select "ADD PRODUCT".
- Select Alarms.
- Select Siren / Strobe.
- Follow the App instructions.
- When prompted, press the Program Switch with a small tool.



4. Install Device (refer to full instructions)

