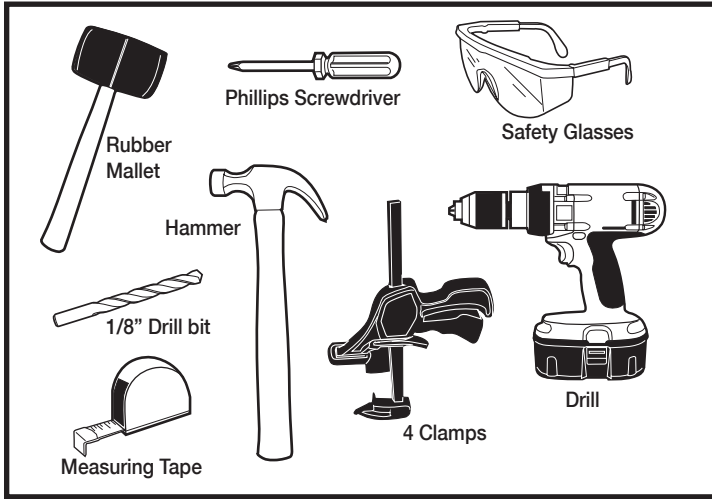


Wood Barn Door Assembly

Inspect all parts and read instructions thoroughly before beginning. It is required that you complete the desired look and finish to your door after it is fully assembled. For the best finishing results, lightly sand the door first with very fine sandpaper and wipe with a clean cloth. Variations in color and small scratches and nicks are a natural part of the wood and are not defects.

A large sturdy workbench or sturdy saw horses are recommended.

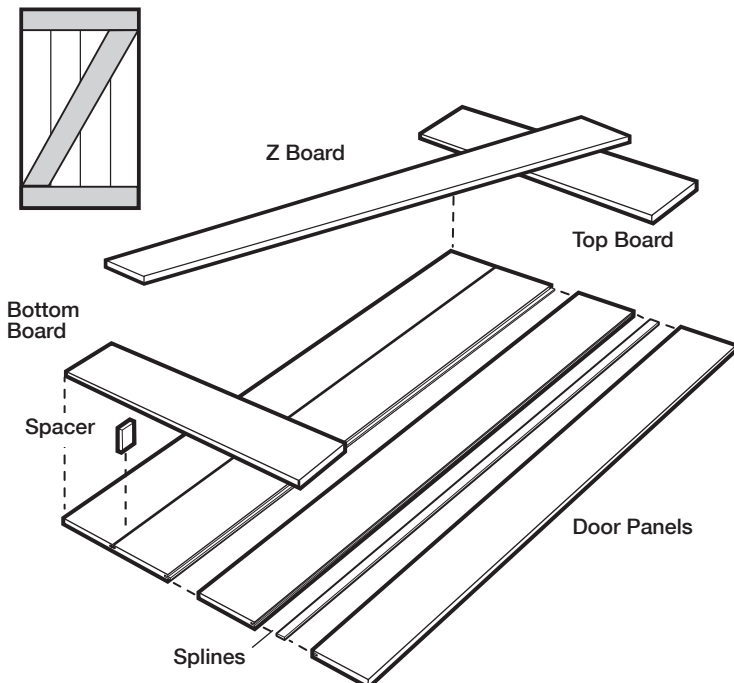
Tools Needed



Parts Included

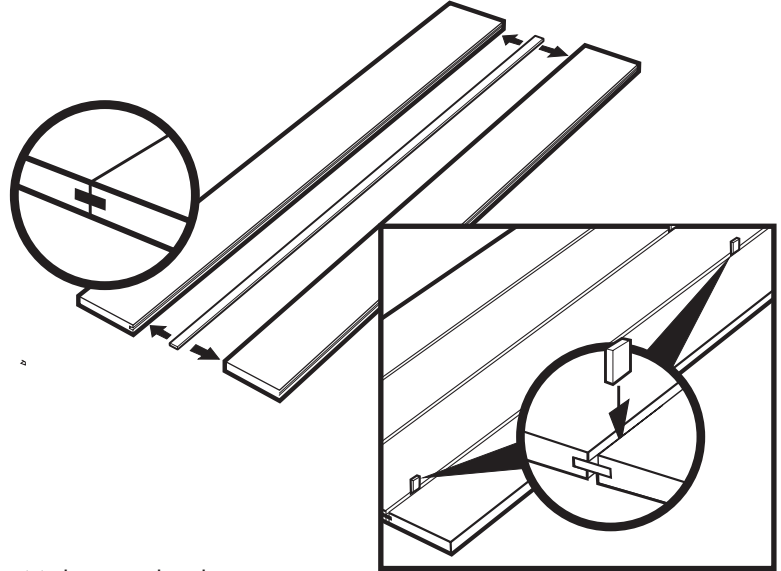
4 door panels (24" door only- 3 panels), 3 splines, 6 spacers, 1 pre-drilled top rail board, 1 pre-drilled bottom rail board, 1 pre-drilled Z Cross board and 32 screws.

Exploded View

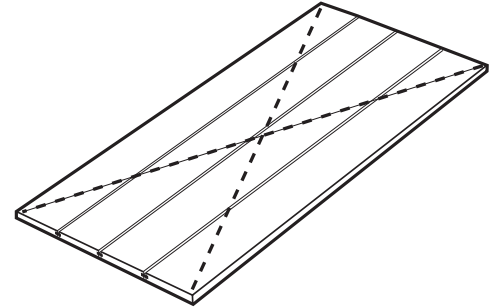


1. Assemble Door Panels

Place one door panel flat on your work surface, making sure the groove side of the panel is to the inside and the smooth side to the outside (this is an end panel). Take one of the thin wooden splines and place it evenly into the panel groove. Do not hammer the splines. Place 2 spacers onto the spline (one towards the top and one towards the bottom). This ensures even alignment of the panels. Insert the next panel into the first spline. Repeat the spline and spacer steps with the remaining panels. Make sure all panels are aligned top and bottom as you go. Panels should be evenly spaced and snug. The last panel will also be an end panel with a smooth outer edge.

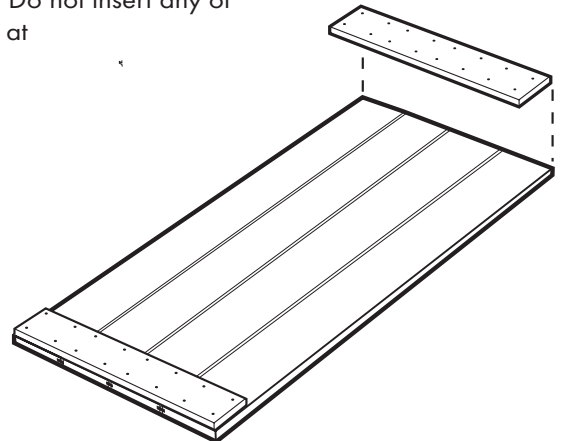


Make sure the door is square by measuring diagonally from both directions. These measurements must be equal. Using the mallet or hammer, adjust the boards until equal. Do not hit the splines. Remove the spacers.



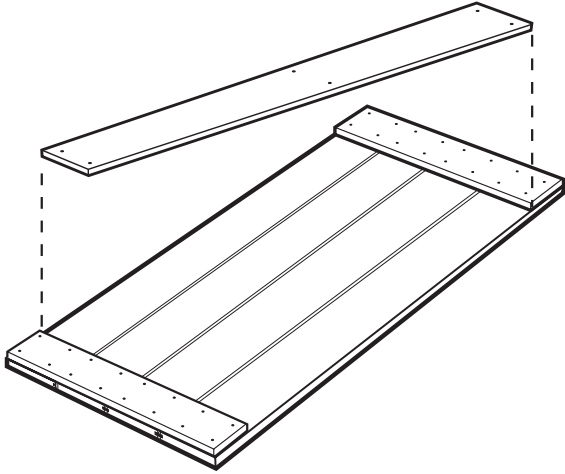
2. Top and Bottom Rail Boards

Place the top and bottom rail boards onto the assembled door panels with the pre-drilled opening side up. Make sure both panels are flush with the door edges on top and sides. There should not be any overhang. Panels should be evenly spaced and snug. Do not insert any of the screws at this point.



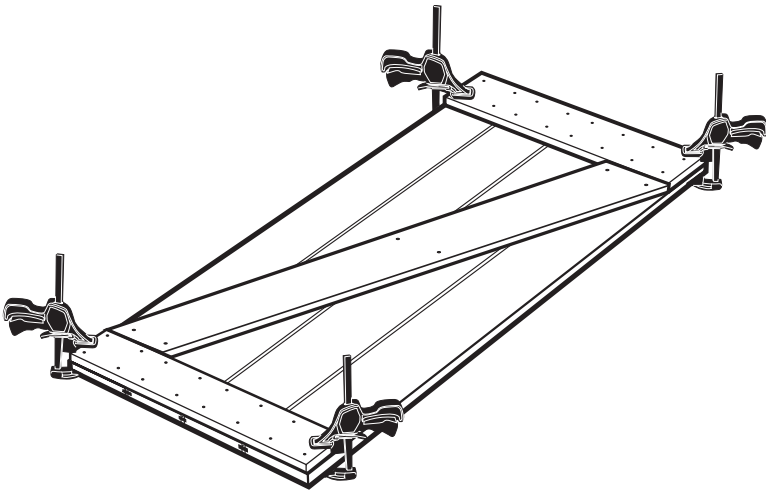
3. Z Cross Board

Place the Z Cross panel onto the door with the pre-drilled opening side up. Make sure it lays flush against the top and bottom rail boards.



4. Secure Top and Bottom Rail Boards

Once all panels and boards are flush and square, secure the top and bottom rail boards with the screws provided. Using the clamps, secure all 4 corners. With the pre-drilled holes as your guide, drill (1/8" bit) a shallow pilot hole into the 4 corner holes. Do not drill completely through the door panel. Using a screwdriver insert screws into the 4 corner pre-drilled holes. Continue process with the remaining screws. Make sure all screws are installed and secure but do not over tighten. Over tightening can cause splintering in the wood. It is important to check that all panels are still flush and square as you go.



5. Secure the Z Board

Once the top and bottom rail boards are installed, drill shallow pilot holes in door panels through the Z cross boards (using the pre-drilled holes as a guide) and then with a screwdriver, secure with the screws provided. Do not drill completely through the door panel. Do not over tighten. Over tightening can cause splintering in the wood. It is important to check that the board is still flush as you go.

6. Install Track Brackets

The door is now ready for the installation of the track brackets.

Note: If using the Wood Barn Door Track included in this kit, please refer to the provided instructions prior to installing.