



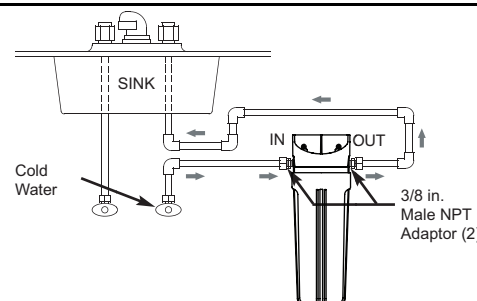
Use and Care Guide

Basic Drinking Water Filtration System

INSTALLATION LOCATION

- To filter water to a faucet, install the filtration system on the COLD supply water pipe to that faucet.
- A mounting bracket and screws are included to support the filter assembly.

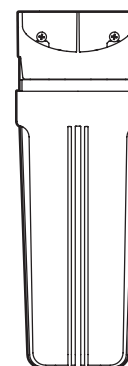
Allow a minimum of 2 in. under the filter for removing the sump in order to change the filter cartridge.



Installation

1 Installing the filtration system

- Obtain two 3/8 in. male NPT adaptors (not included) of the appropriate size and type to adapt to the sink's existing cold water supply pipe.
- Shut off the hot and cold water supply to the sink and open the faucet(s) to relieve pressure in the cold water pipe.
- Cut out a section of the COLD water supply pipe several inches long, as needed to install the filtration system. See the Installation Location drawing.
- Apply four wraps of sealant tape to the threads of the 3/8 in. male NPT adaptors (not included) and carefully turn them into the filter's inlet and outlet ports.
- With the IN side of the water filter toward the incoming water, make connections as the Installation Location figure shows. When tightening compression nuts, use a second wrench to hold the 3/8 in. male NPT adaptor while turning the nut.
- Fully open the cold water faucet downstream of the filtration system. Slowly turn the water supply back on and check for leaks.
- Turn off the cold water faucet when the water flow becomes smooth.



2 Installing or replacing a filter cartridge



CAUTION: Never remove the sump with water pressure in the filter.

- Close the water supply shutoff valve to the filter. To relieve pressure in the filtration system, open the cold water faucet downstream of the filter.
- Carefully turn the sump to the left to remove from the head, as the sump is full of water. Do not lose the O-ring seal.
- Be sure the inside of the sump is clean. Thoroughly wash with warm, soapy water and rinse.
- Remove the wrapper from the new filter cartridge and insert the filter cartridge into the sump. Some filter cartridges fit either way, while others fit only one way. Observe markings on the filter cartridge, or on the wrapper.
- Lightly lubricate the O-ring seal, in the sump, with silicone grease. Be sure it is fully seated in the groove. Hold the sump up to the filter head, aligning the center hole in the filter cartridge with the protrusion on the bottom of the head.

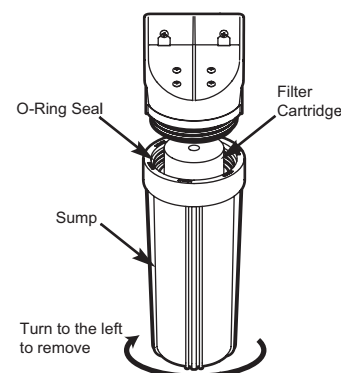
NOTE: If the sump will not tighten to the head, you may have the filter cartridge in upside down or not centered in the sump. Take the filter cartridge out and check for correct orientation.

- Being careful not to cross-thread, turn the sump to the right onto the filter head and tighten securely. Do not over tighten.
- Partially open the faucet downstream of the filtration system. Then, slowly open the water supply shutoff valve and allow the filter housing to fill with water.
- Close the faucet. Then, check for leaks between the sump and the head.

NOTE: If a leak is occurring, turn off the water supply and depressurize the filtration system. Then, remove the sump and check the O-ring for cuts, flat spots, etc., and sealing surfaces for foreign material. Clean the O-ring and lubricate with silicone grease. Carefully press into the groove in the sump.

NOTE: Taste and Odor filter cartridges contain activated carbon which is a black powder. After the new filter cartridge is installed, open the faucet downstream of the filtration system and allow carbon particles to purge from the filter cartridge. Close the faucet when you no longer see "fines" (discoloration) in the filtered water, or approximately 2 - 3 minutes.

REPLACEMENT FILTER NOTE: The rated flow of HDXVOF4 & HDXLTf4 are 0.5 & 0.6 gpm (at 50psi) respectively which may be less than the typical sink faucet flow rate. Using these filters on a system installed on a primary sink faucet may adversely affect the faucet flow rate.



Replacement Parts:

- HDGA004 - O-ring
- HDXAWQ4 - Sump removal wrench (not included)

Uses HDX™ Under-Sink Filters:

- HDXVOF4 - Premium Under Sink Filter
- HDXLTf4 - Advanced Under Sink Filter
- HDXCTf4 - Basic Under Sink Filter
- Other standard drop-in under-sink filters

See Replacement Filter Note

Safety Information

- Check with your local public works department for plumbing codes. You must follow their guidelines as you install the water filtration system.
- Do not use this system on water that is microbiologically unsafe or of unknown quality without adequate disinfection before or after the system.
- This system is only for use on COLD water (100°F / 38°C max.). Do not install on a hot water supply.
- Do not install this system where it will be exposed to outdoor weather or direct sun.
- Do not install or store this system where it will be exposed to temperatures below freezing. Water freezing in the system will damage it.
- The maximum operating water pressure of this system is 100 PSI. If your home water pressure exceeds 80 PSI, install a pressure reducing valve before installing the filter.
- This product was evaluated for certification without a faucet. Should this product be used with a non-NSF Standard 42 faucet the system is no longer considered certified as this faucet may not have been evaluate for lead content, material safety, and/or structural integrity. Faucet air gap requirements must be met.

Warranty

Glacier Bay Water Filtration Systems- Warranty

Glacier Bay Water Filtration Systems are manufactured under the highest standards of quality and workmanship. Glacier Bay Water Filtration Systems warrants to the original purchaser that this system will be leak and drip free during normal domestic use for a period of one (1) year from date of purchase. If this system should ever develop a leak or drip Glacier Bay Water Filtration Systems will free of charge provide the parts necessary to put the system back in good working condition. A replacement for any defective part will be supplied free of charge for installation by the purchaser. Defects or damage caused by use of other than authorized parts are not covered by this warranty. This warranty shall be effective from date of purchase as shown on purchaser's receipt. Glacier Bay Water Filtration Systems shall be installed per the manufacturer's installation instructions and specifications. Some states do not allow limitations on how long a warranty lasts, so the above limitation may not apply to you. This warranty is valid for the original purchaser only and excludes industrial, commercial, or business use of the product, product misuse, and product damage due to installation error, whether performed by a contractor, service company, or yourself. Glacier Bay Water Filtration Systems will not be responsible for labor charges or for damage incurred during installation, repair or replacement, nor for incidental or consequential damages. Some states, provinces and nations do not allow the exclusion or limitation of incidental or consequential damages, so the above exclusions or limitations may not apply to you. Glacier Bay Water Filtration Systems will advise you of the procedure to follow in making warranty claims.

Simply write to Glacier Bay Water Filtration Systems at the address below. Explain the defect and include proof of purchase and you name, address and telephone number or you can also call us at 1-800-247-1087.

U.S.A
Glacier Bay Water Filtration Systems
2455 Paces Ferry Road, N.W
Atlanta, GA 30339-

Canada
Glacier Bay Water Filtration Systems
900-1 Concorde Gate
Toronto, ON M3C 4H9