



PALAMOS DEEP SEATING CHAIR

IMPORTANT: PLEASE READ COMPLETE INSTRUCTION SHEET PRIOR TO ASSEMBLY!

Identify all parts packed in carton against the parts list. Remove all protective materials, place parts on a nonabrasive surface to avoid scratching. If any parts are missing or damaged, DO NOT attempt to assemble. Please contact our customer service center (Monday-Friday 9:00 a.m.-5:00 p.m.CST) at 1-866-538-7735 (fax:952-946-0031), e-mail: custserv@homecasual.net or visit our website at www.homecasual.net.

STEP 1

Place chair back (C) on a flat, soft surface.
Attach chair arm (left) (A) to chair back (C) by using bolts (E) with metal washers (F) through each hole of the chair arm and into the chair back (C). Repeat this step for chair arm (right) (B). (DO NOT TIGHTEN COMPLETELY !)

STEP 2

Attach chair seat (D) to the chair arm by using bolts (E) with metal washers (F) through each hole of the chair arm and into the chair seat (D). (DO NOT TIGHTEN COMPLETELY !)







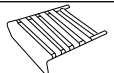

STEP 3

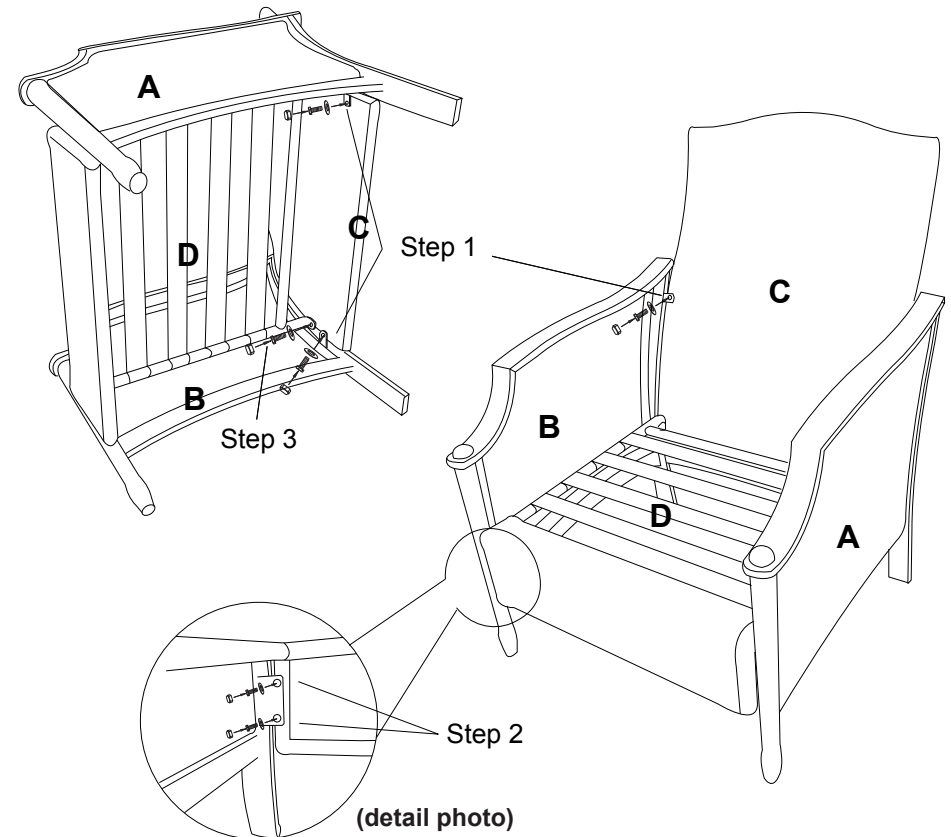
Attach chair seat (D) to the chair back (C) by using bolts (E) with metal washers (F) through each hole of the chair seat and into the chair back.

STEP 4

Tighten all bolts with the Hex wrench. Cover all bolts with plastic bolt caps.
Place the cushion on the chair seat.
Your chair is now ready for use.

Thank you for choosing a Home Casual product!

Parts List							
A	CHAIR ARM (LEFT WHEN SITTING)		2	E	BOLT (M6x15)		20
B	CHAIR ARM (RIGHT WHEN SITTING)		2	F	METAL WASHER		20
C	CHAIR BACK		2	G	PLASTIC BOLT CAP		20
D	CHAIR SEAT		2	H	HEX WRENCH		1







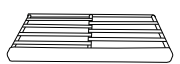






PALAMOS DEEP SEATING LOVESEAT

IMPORTANT: PLEASE READ COMPLETE INSTRUCTION SHEET PRIOR TO ASSEMBLY!

Identify all parts packed in carton against the parts list. Remove all protective materials, place parts on a nonabrasive surface to avoid scratching. If any parts are missing or damaged, DO NOT attempt to assemble. Please contact our customer service center (Monday-Friday 9:00 a.m.-5:00 p.m.CST) at 1-866-538-7735 (fax:952-946-0031), e-mail: custserv@homecasual.net or visit our website at www.homecasual.net.

Parts List							
A	CHAIR ARM (LEFT WHEN SITTING)		1	F	BOLT (M6x40)		3
B	CHAIR ARM (RIGHT WHEN SITTING)		1	G	METAL WASHER		11
C	CHAIR BACK		1	H	PLASTIC BOLT CAP		11
D	CHAIR SEAT		1	I	HEX WRENCH		1
E	BOLT (M6x15)		8				

STEP 1

Place chair back (C) on a flat, soft surface.

Attach chair arm (left) (A) to chair back (C) by using bolts (E) with metal washers (G) through each hole of the chair arm and into the chair back (C). Repeat this step for chair arm (right) (B). (DO NOT TIGHTEN COMPLETELY !)

STEP 2

Attach chair seat (D) to the chair arms by using bolts (E) with metal washers (G) through each hole of the chair arm and into the chair seat (D). (See illustration) (DO NOT TIGHTEN COMPLETELY !)

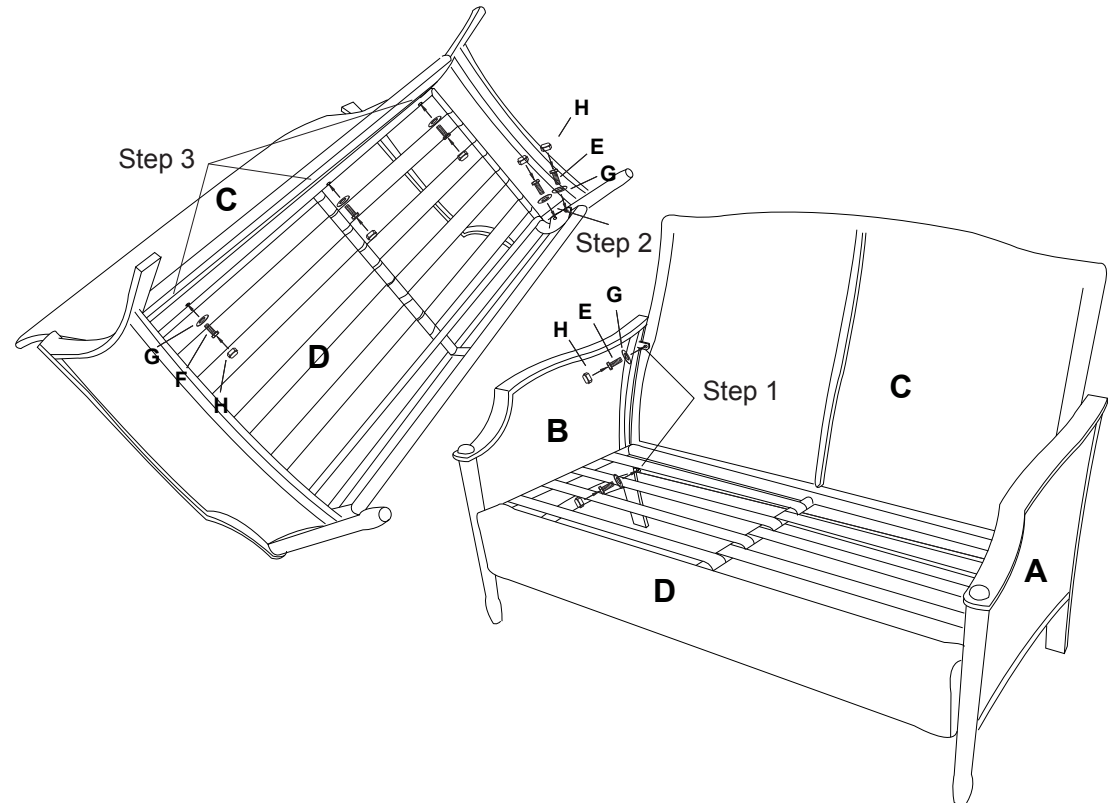
STEP 3

Attach chair seat (D) to chair back (C) by using bolts (F) with metal washers (G) through each hole of the chair back and into the chair seat (D).

STEP 4

Tighten all bolts with Hex wrench provided.

Cover all bolts with plastic bolt caps provided. Place the cushion on the chair seat. Your loveseat is now ready for use.



Thank you for choosing a Home Casual product!



PALAMOS 40"x 20" COFFEE TABLE

IMPORTANT: PLEASE READ COMPLETE INSTRUCTION SHEET PRIOR TO ASSEMBLY!

Identify all parts packed in carton against the parts list. Remove all protective materials, place parts on a nonabrasive surface to avoid scratching. If any parts are missing or damaged, DO NOT attempt to assemble. Please contact our customer service center (Monday-Friday 9:00 a.m.-5:00 p.m.CST) at 1-866-538-7735 (fax:952-946-0031), e-mail: custserv@homecasual.net or visit our website at www.homecasual.net.

STEP 1

Turn the table top (A) upside down. Attach 4 table legs (B) to the table top (A) by inserting the bolts (D) with metal washers (F) through the pre-drilled holes in the table top and legs. Do not tighten the bolts.

STEP 2

Attach the leg connector bracket (C) to the table legs (B) by inserting the bolts (E) with metal washers (F) through the pre-drilled holes in the leg connector bracket and legs. Tighten all bolts completely and cover them with plastic bolt caps (G). Important note: Each bolt should be tightened a few revolutions at a time, alternating between bolts in a cross corner (X) pattern. This will ensure your table is level by placing equal pressure on all bolt joints. Do not over tighten.

STEP 3

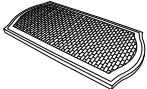

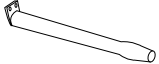






Turn the table in the upright position. Keep touch-up paint (I) for future use for both your table and chairs. Your table is now ready for use.

Thank you for choosing a Home Casual product!

IMPORTANT:

To avoid damage to your table:

- In storing patio furniture, do not stack anything on glass, stone, or marble tabletops.
- Before storing, drain all water that may have accumulated in or around patio furniture frames. If not drained properly, water can cause freeze damage.
- Cover furniture with outdoor furniture covers when not in use.
- For safety reasons, do not sit or stand on the table.

Parts List							
A	TABLE TOP		1	F	METAL WASHER		16
B	TABLE LEG		4	G	PLASTIC BOLT CAP		16
C	LEG CONNECTOR BRACKET		1	H	ALLEN WRENCH		1
D	BOLT (M6x15)		8	I	TOUCH-UP PAINT		1
E	BOLT (M6x20)		8				

