

ARGO INSERT



ARIETTA



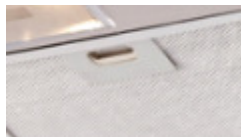
Argo is designed for discreet mounting inside cabinetry. At 28 1/4" wide and only 10 3/4" deep, Argo fits perfectly inside standard 12" deep cabinetry and is ideal for kitchens where space is limited, or where the range hood needs to be Out-of-Sight. Argo comes equipped with a powerful 400 CFM blower that can handle most cooking needs. Convenient stainless steel push button controls operate the 3 speed blower and incandescent lighting, while dishwasher safe anodized aluminum mesh filters offer easy maintenance. Argo is designed for standard ducted or recirculating installations.



Incandescent
Lamps



Stainless Steel
Push Button
Controls



Dishwasher-Safe
Anodized Aluminum
Mesh Filters

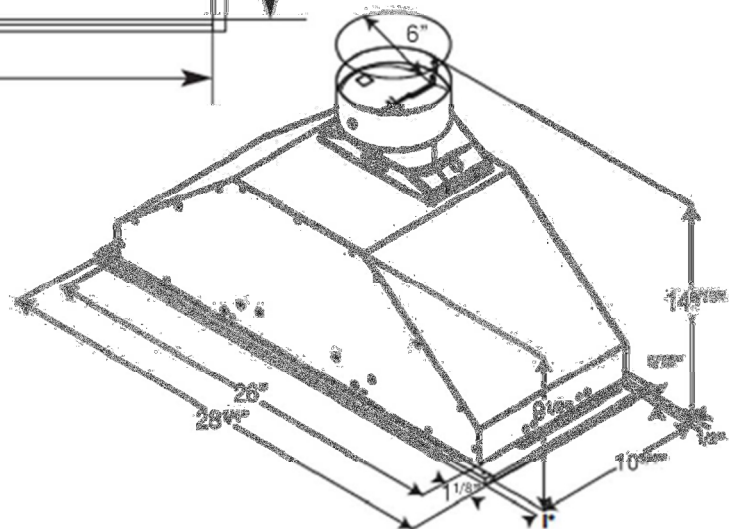
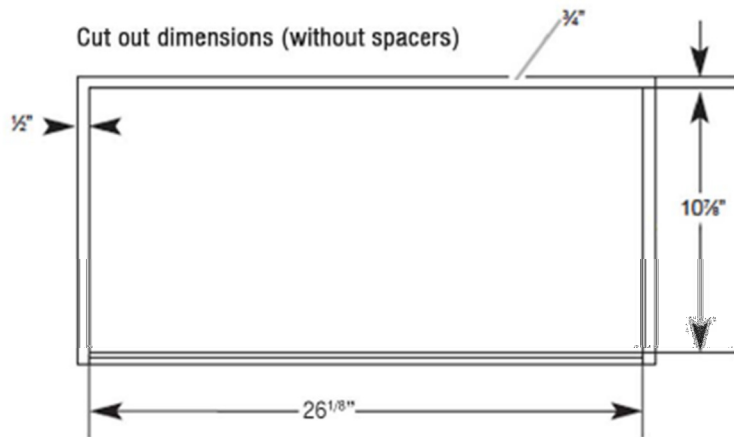
MODELS

AAR428SS ARGO 28" Stainless Steel (28 1/4"W X 10 3/4"D X 9 1/2"H)

DIMENSIONS

Features

Size (in) & Type	28" $\frac{1}{4}$ " Wide, Insert
Finish	Stainless Steel
Controls	Stainless Steel Push Buttons
Illumination	2, 40 Watt Incandescent Lamps (Bulbs Included), 1 Light Intensity
Installation Type	Ducted or Recirculating Installations. Recirculating Kit Sold Separately
Blower Performance	400 CFM, 3-Speed Internal Speed 1, 160 CFM, 1.5 Sones Speed 2, 280 CFM, 3.1 Sones Speed 3, 400 CFM, 5.9 Sones
Filter Type	2, Dishwasher-Safe, Anodized Aluminum Mesh Grease Filters
Duct Transition	6" (Round/Top)
Electrical	120V – 60 Hz 340 Watt at 2.8 Amps



Accessories



Optional
Recirculating Kit 2
Carbon Filters

CODE: KIT02770
MODEL:EXXRCK10



Optional
30" Hood Liner
29" W x 17 $\frac{1}{2}$ " or 20
 $\frac{1}{2}$ " D x 4" H

CODE: KIT02773
MODEL:EXXHDL30

Optional
36" Hood Liner
35" W x 17 $\frac{1}{2}$ " or 20
 $\frac{1}{2}$ " D x 4" H

CODE: KIT02774
MODEL:EXXHDL36

Elica Design Center



arietta by elica