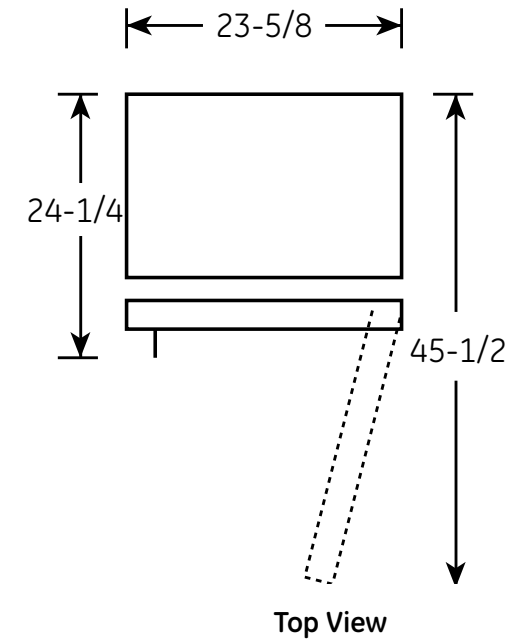
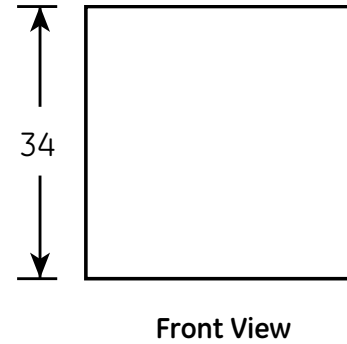


# GCE06GGH/GSH

## GE® 5.6 Cu. Ft. Compact Refrigerator

### Dimensions and Installation Information

Overall Dimensions	Height (in.) <b>A</b>	<b>33-7/8</b>
	Width (in.) <b>B</b>	<b>19-3/4</b>
	Depth with handle (in.) <b>C</b>	<b>21-1/8</b>
	Depth with door open 90° (in.) <b>D</b>	<b>39-1/8</b>
Air Clearances	Each side (in.)	<b>1/2</b>
	Top (in.)	<b>2</b>
	Back (in.)	<b>2</b>



Dimension and installation information are shown in inches.

For answers to your Monogram®, Cafe™ Series, Profile™ Series or GE® appliance questions, visit our website at [geappliances.com](http://geappliances.com) or call GE Answer Center® service, 800.626.2000.

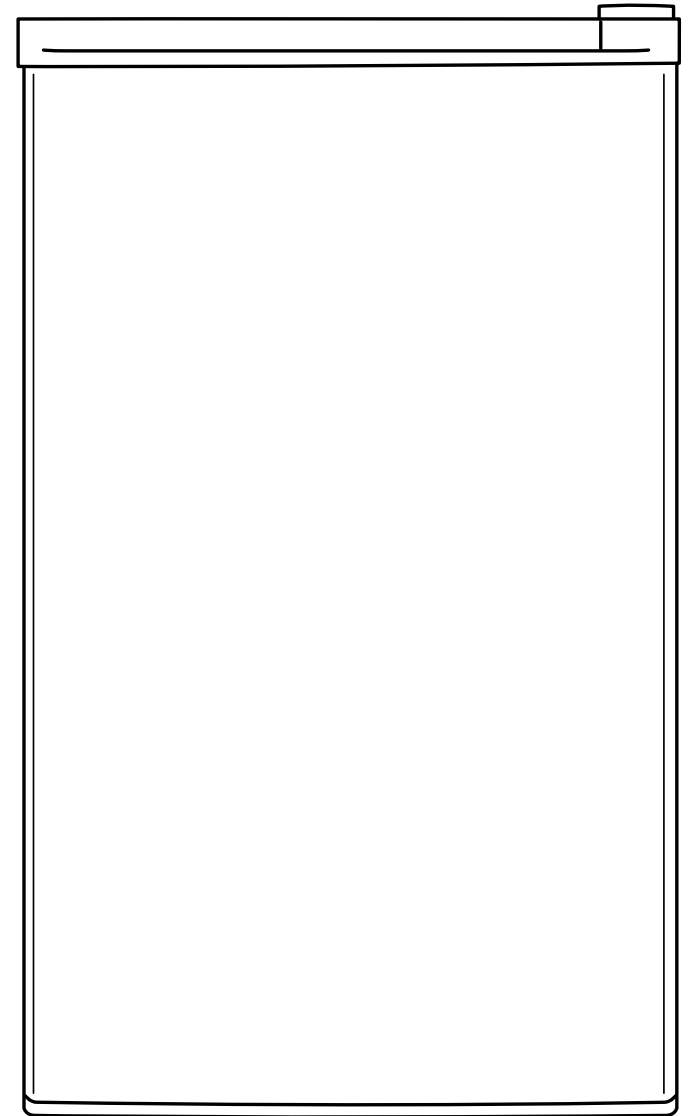


# GCE06GGH/GSH

## GE® 5.6 Cu. Ft. Compact Refrigerator

### Features and Benefits

- 5.6 cu. ft. capacity ENERGY STAR®
- Built-in or freestanding capability allows for flexible installation undercounter
- Interior lighting - Makes it easy to see what is inside
- 2 glass shelves - Creates convenient food storage with easy-to-clean shelves
- Clear crisper - Provide the ideal storage environment for fruits and vegetables
- Door shelves - Small containers and boxes are easy to find in separate door areas
- Can rack - Quick and easy access to your your favorite drinks
- Two Mini Ice 'N Easy Trays - Release ice cubes with a quick twist
- Freezer capacity - 0.49 cu. ft. freezer capacity for storing small frozen convenience items
- Recessed handles - Recessed handles make opening and closing the doors simple
- Model GCE06GGHWW - White
- Model GCE06GGHBB - Black
- Model GCE06GSHSB - Black



imagination at work



As an ENERGY STAR® partner, GE has determined that this product meets the ENERGY STAR guidelines for energy efficiency.