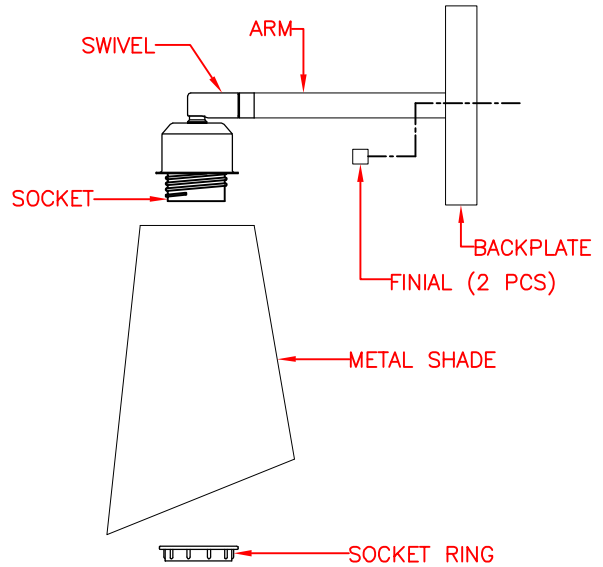


FRONT VIEW



SIDE VIEW

PRODUCT SPECIFICATIONS

- OVERALL ASSEMBLED DIMENSIONS**
HEIGHT: 30.4 CM (12"), WIDTH: 12.7 CM (5"), EXTENSION: 23.6 CM (9-1/4").
- 1 LIGHT:** UL LISTED. 60 WATT. MEDIUM BASE E-26 CERAMIC SOCKET. A WHITE METAL SOCKET RING IS PROVIDED.
- BACKPLATE:** PAINTED METAL, 12.7 CM (5") DIA. x 2 CM (3/4") HEIGHT. (2) HOLES IN BACKPLATE FOR MOUNTING SCREWS TO PASS THROUGH. SHAPED AS SHOWN.
- METAL SHADE:** BLACK OUTSIDE AND GOLD INSIDE, 13.3 CM (5-1/4") DIA. MAX. x 18.4 CM (7-1/4") HEIGHT. SHAPED AS SHOWN. METAL SHADE SHOULD FIT SNUGLY AND STRAIGHT WHEN ATTACHED.
- ARM:** PAINTED METAL, 1.6 CM (5/8") DIA. TUBING, 16.5 CM (6-1/2") LENGTH.
- SUPPLY WIRE:** UL LISTED. 18 AWG, 105', MUST EXTEND A MINIMUM OF 15.2 CM (6") PAST CENTER OF BACKPLATE. COPPER MATERIAL. WIRES MUST BE LEAD FREE.
- LABELS:** UL AND CSA OR CUL, MANUFACTURING DATE, MODEL # AND COUNTRY OF ORIGIN LABELS PROVIDED ON INSIDE OF BACKPLATE. RELAMPING LABEL FOR 60 WATT TYPE "A" BULB PROVIDED ON INSIDE OF CUP. RELAMPING LABELS ARE NOT ALLOWED TO BE PLACED ON THE OUTSIDE OF THE PRODUCT OR CUP.
- PACKAGING AND SHIPPING**
THE ITEM IS DISASSEMBLED FOR SHIPPING AS SHOWN. EACH PART IS SECURED SO THEY CAN NOT MOVE DURING SHIPPING. HARDWARE PACK #005 PROVIDED. ENTIRE FIXTURE IS COVERED IN A CLOSED PLASTIC BAG WITH A SMALL BAG OF SILICA INSIDE. THE CARTON IS MADE OF DOUBLE WALL, CORRUGATED CARDBOARD "A MA A". BROWN IN COLOR. THE INNER PACKING IS DIE-CUT CARDBOARD OR STYROFOAM TO PROTECT AND SECURE THE FIXTURE AND MUST PASS THE FEDEX AND ISTA-3A DROP TEST REQUIREMENTS. EACH CARTON SHALL BE PRINTED WITH A LINE DRAWING AND THE KENROY HOME NAME AND LOGO, MODEL NUMBER AND FINISH, EACH CARTON SHALL BE PROVIDED A UPC LABEL. THE UPC BAR CODE AS FOLLOWS: 053392125387.
- OTHER DETAILS:**
ENTIRE BACKPLATE ASSEMBLY MUST SIT FLUSH AGAINST WALL SURFACE.
- ALL VISIBLE PARTS MUST MATCH FIXTURE FINISH UNLESS OTHERWISE SPECIFIED.
- MODEL 93673BL INSTRUCTIONS ARE TO BE PRINTED CLEARLY ON QUALITY PAPER AND PACKED WITH EACH FIXTURE.
- ALL BAGS MUST BE LABELED WITH OFFICIAL "THIS BAG IS NOT A TOY" STATEMENT.
- ASSEMBLY TIME: 5 MINUTES. THE UL NUMBER IS E471015.
- DIMS OF BOX: 33 CM (13") LENGTH x 19.1 CM (7-1/2") WIDTH x 19.1 CM (7-1/2") HEIGHT. (CUFT.: 0.42')
- NET WEIGHT: 1.1 LBS. GROSS WEIGHT: 2.8 LBS.
- THIS FIXTURE IS RATED FOR DAMP LOCATION.

KENROY HOME 3723 Regent Boulevard JACKSONVILLE, FL. 32224 PHONE: 904-642-4340 FAX: 904-642-4150	THIS DOCUMENT AND THE INFORMATION THAT IT DISCLOSES IS THE EXCLUSIVE PROPERTY OF KENROY HOME. ANY REPRODUCTION OR USE OF THIS DRAWING IN PART OR IN WHOLE, WITHOUT THE EXPRESS CONSENT OF THE PROPRIETOR IS PROHIBITED. © 2016 KENROY HOME.			REVISION DATE:	MODEL #:
	DATE: 5/24/2016	SCALE: NONE	DRAWN BY: HENRY	REVISION DATE:	93673BL
	REFERENCE: ALVAR 1 LIGHT SCONCE			REVISION DATE:	FINISH: BL
				APPROVAL:	PAGE: 1 OF: 1