

Decora Z-Wave Controls™ Z-Wave Universal Dimmer

APPLICATION

The Leviton DZMX1 is a Z-Wave enabled universal dimmer designed for use for most residential lighting applications. A large range of lighting loads are supported including dimmable LED and CFL, as well incandescent, halogen and magnetic low voltage. The DZMX1 is fully compatible with Z-Wave enabled controllers, gateways, hubs, and security systems.

FEATURES AND BENEFITS

- Scene Capable Universal Dimmer
 - Z-Wave compatible
 - White, Light Almond and Ivory faces included
 - Supports Z-Wave Beaming and Network Wide Inclusion
- Scene capable
- User pre-set minimum brightness before turning off
- 49 different fade rates
- Transient surge suppression built-in
- User pre-set 'on level'
- Not for use with vizia rf+ systems

SPECIFICATIONS

- 450W Dimmable LED/CFL
- 1000W Incandescent, Halogen, MLV and Mark X
- 120V 60HZ, neutral required

AGENCY STANDARDS AND COMPLIANCE

- Complies with FCC Part 15, Class B
- NOM Certified
- CSA Certified, US/CAN (File#152105)
- UL required air gap switch disconnects power from load locally. It is concealed during normal operation and is accessible without moving the wallplate
- Z-Wave Certified

WARRANTY INFORMATION

Five-Year Limited Warranty



Z-Wave Universal Dimmer

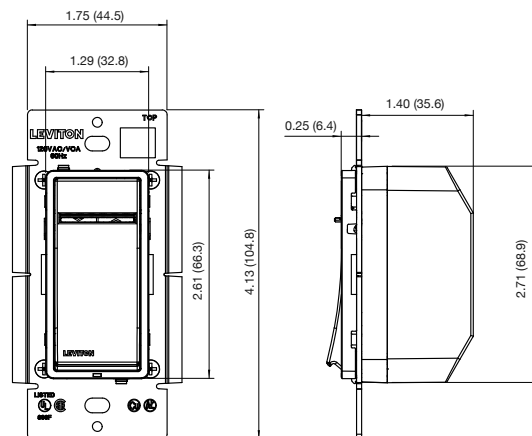
Leviton Security & Automation

4330 Michoud Blvd., New Orleans, Louisiana, 70129 • Telephone: 1-504-736-9810 • Fax: 1-504-253-2954

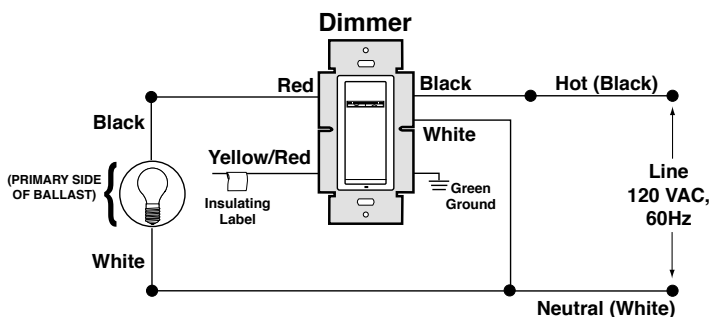
Leviton Mfg. Co., Inc.

201 North Service Road, Melville, NY 11747 Tech Line: 1-800-824-3005 Fax: 1-800-832-9538 www.leviton.com
© 2014 Leviton Manufacturing Co., Inc. All rights reserved. Subject to change without notice.

DIMENSIONAL DRAWING

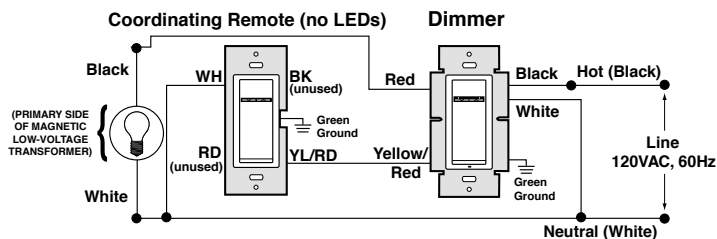


SINGLE POLE WIRING DIAGRAM

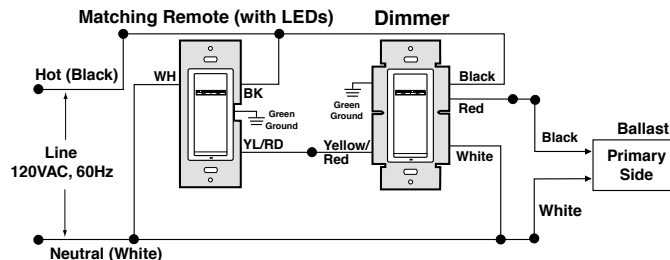


THREE-WAY WIRING DIAGRAM

3-Way Wiring with VP00R-10Z Coordinating Remote (no LEDs) Application:



3-Way Wiring with VP00R-1LZ Matching Remote (with LEDs) Application:



ORDERING INFORMATION

CAT. NO.	DESCRIPTION	RATING	COLOR
DZMX1	Z-Wave Universal Dimmer	450W Dimmable CFL/LED 1000W Incandescent/Halogen 1000VA Magnetic Low Voltage 1000W Mark X Ballasts 120VAC, 60 Hz	White/Light Almond/Ivory

Leviton Manufacturing Co., Inc.

201 North Service Road, Melville, NY 11747-3138
 Telephone: 1-800-323-8920 • Fax: 1-800-832-9538 • Tech Line: (8:30AM-7:00PM E.T. Monday-Friday): 1-800-824-3005

Leviton Security & Automation

4330 Michoud Blvd., New Orleans, Louisiana, 70129 • Telephone: 1-504-736-9810 • Fax: 1-504-253-2954

Visit our website at www.leviton.com/automation

© 2014 Leviton Manufacturing Co., Inc. All rights reserved. Subject to change without notice.

SAT-10053