

RSG257AARS

24 cu. ft. Counter Depth Side-by-Side Refrigerator with In-Door Ice Maker

Features

- Largest Storage Capacity in Counter Depth Category under 70-inch Opening Height
- Premium External Filtered Water and Ice Dispenser
- Automatic In-Door Ice Maker
- LED Tower Lighting
- Twin Cooling Plus System®
- Multi Air Flow
- Six Temperature Sensors
- Power Freeze and Power Cool Options
- Tempered Glass Spill-Proof Shelves
- Gallon Door Bins

Convenience

- Dispenser Light
- Door Alarm
- Water Filter Indicator
- Wine Rack
- Egg Container



ENERGY STAR® rated:
560 kWh/yr



Side-by-Side Design



Premium External Filtered Water and Ice Dispenser

Available Colors



Stainless Steel
(shown)



White



Black

Signature Features

TWIN COOLING PLUS®

- Refrigerator air is kept at higher, near-commercial grade humidity levels to keep perishable fruits and vegetables fresher longer.
- Drier freezer air means less freezer burn for better-tasting frozen foods.

PREMIUM EXTERNAL FILTERED WATER AND ICE DISPENSER

Samsung's new high-efficiency LED lighting gently brightens the interior of your beautifully organized refrigerator.

LED TOWER LIGHTING

Tower Lighting evenly distributes bright light throughout the refrigerator and freezer compartments.



Ranked **"Highest in Customer Satisfaction with Refrigerators"**
by J.D. Power and Associates.

SAMSUNG

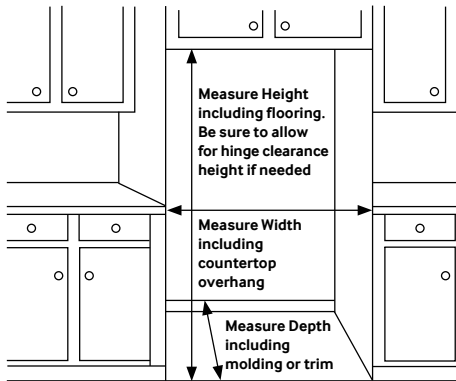
RSG257AARS

24 cu. ft. Counter Depth Side-by-Side Refrigerator with In-Door Ice Maker

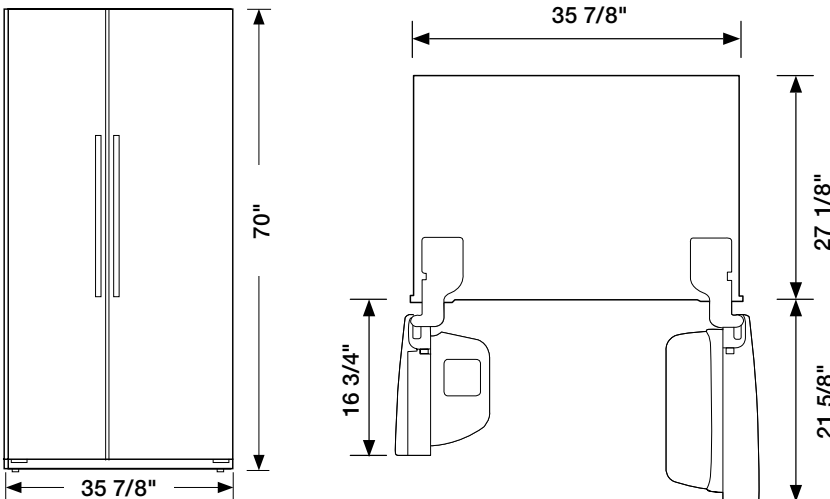
Installing Your Refrigerator

1. Measure the height, width and depth of the opening, making sure to include baseboards, molding tile, countertop overhang, etc. Check to be sure there is enough room to open the door (consider walls, islands or other obstacles when measuring).
2. Refer to chart B below to determine dimensions.
3. Allow 2" of clearance on hinge side of refrigerator when installing next to a wall where handle may make contact.
4. Allow 1" minimum clearance at rear for proper air circulation and water/electrical connections. Allow a 3/8" minimum clearance at sides and top for ease of installation.
5. Ensure each door and entry way in the home is wide enough for the refrigerator to be moved through easily.

Please note: The following dimension and cutout information is for planning purposes only. For complete installation details consult manual packed with product, or download manual on-line at samsung.com.



Dimensions



Total Capacity: 24.5 cu. ft.

Refrigerator: 15.2 cu. ft.

- 2 Humidity-Controlled Crispers
- 4 Tempered Glass Spill-Proof Shelves
- 6 Clear Door Bins
 - 1 Gallon Bin
 - 1 Dairy Bin
 - 3 Regular Bins
 - 1 Foldable Wired Can Holder (Optional)
- 3 Clear Crispers
- LED Tower Lighting (27 LED Lights)

Freezer: 9.3 cu. ft.

- 4 Tempered Glass Shelves
 - 3 Spill Proof
 - 3 Slide Out
- 3 Clear Tilting Door Bins
- 2 Clear Drawers
- Automatic In-Door Ice Maker
- LED Tower Lighting (20 LED Lights)

Accessories

Water Filter

Warranty

One (1) Year All Parts and Labor

Five (5) Years Sealed System Parts and Labor

Product Dimensions & Weight

Dimensions (WxHxD with hinges, handles and doors):

35 7/8" x 70" x 30"

Dimensions (WxHxD without hinges and door):

35 7/8" x 68 5/8" x 23 3/4"

Dimensions (WxHxD with hinge and door, no handle):

35 7/8" x 70" x 27 1/8"

Weight: 254 lbs.

Shipping Dimensions & Weight (WxHxD)

Dimensions: 38 5/16" x 75 1/8" x 31 3/8"

Weight: 284.5 lbs.

Color	Model #	UPC Code
Stainless Steel	RSG257AARS	036725595934
White	RSG257AASP	036725514133
Black	RSG257AABP	036725513136

SAMSUNG

Samsung received the highest numerical score for refrigerators in the proprietary J.D. Power and Associates 2012 Kitchen Appliance Study.SM Study based on 12,615 total responses measuring 17 brands and measures opinions of consumers about their refrigerator obtained new in the past 24 months. Proprietary study results are based on experiences and perceptions of consumers surveyed in January-February 2012. Your experiences may vary. Visit jdpower.com.

Actual color may vary. Design, specifications, and color availability are subject to change without notice. Non-metric weights and measurements are approximate.

©2013 Samsung Electronics America, Inc. 85 Challenger Road, Ridgefield Park, NJ 07660. Tel: 800-SAMSUNG. samsung.com. Samsung is a registered trademark of Samsung Electronics Co. Ltd.