

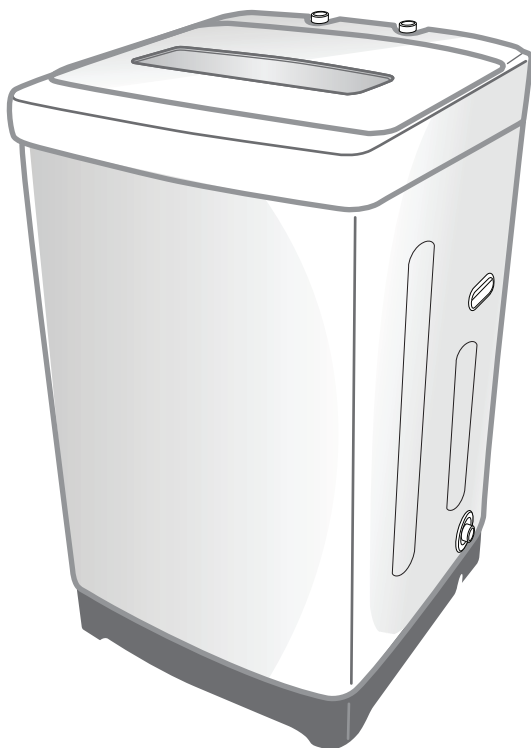
Haier

Installation and User Manual
Instructions d'installation et
Guide de l'utilisateur
Instrucciones de instalación y
Manual del usuario
HLPW028AXW

Top-Load Clothes Washer

Laveuse à chargement par le haut

Lavadora de ropa con carga superior



**Designed for
High-Efficiency;
use HE detergent.**

**Conçue pour
haute efficacité;
utiliser un
détergent HE.**

**Diseñada para un
alta eficiencia; use
detergente HE
(Alta eficiencia).**

Part # 0030811644

TABLE OF CONTENTS

WASHER SAFETY	2
PARTS AND FEATURES	5
INSTALLATION REQUIREMENTS	6
Tools Needed	6
Parts Supplied	6
Location Requirements	6
Drain System Requirements	7
Electrical Requirements	8
Grounding instructions	9
INSTALLATION INSTRUCTIONS	10
Step 1 - Unpack the Washer	10
Step 2 - Install Bottom Cover	11
Step 3 - Connect and Secure the Drain Hose	13
Step 4 - Connect the Water Hoses	14
Step 5 - Level the Washer	15
Step 6 - Complete Installation	16
CONTROL PANEL AND FEATURES	17
WASHER USE	20
Step 1 - Prepare and Sort Laundry	20
Step 2 - Add Fabric Care Products	20
Step 3 - Load the Washer	21
Step 4 - Start the Washer	21
WASHER CARE	22
Cleaning	22
Vacationing Precautions	23
Moving or Storage Preparation	23
Reinstalling/Using Washer Again	24
TROUBLESHOOTING	25
LIMITED WARRANTY	28

RECORD KEEPING

Thank you for purchasing this Haier product. This user manual will help you get the best performance from your new washer.

For future reference, record the model and serial number located on back of the washer, and the date of purchase.

Staple your proof of purchase to this manual to aid in obtaining warranty service if needed.

Model number

Serial number

Date of purchase

WASHER SAFETY

Your safety and the safety of others are very important.

We have provided many important safety messages in this manual and on your appliance. Always read and obey all safety messages.



This is the safety alert symbol.

This symbol alerts you to potential hazards that can kill or hurt you and others. All safety messages will follow the safety alert symbol and either the word "DANGER," "WARNING" or "CAUTION."

These words mean:



An imminently hazardous situation. You could be killed or seriously injured if you don't immediately follow instructions.



A potentially hazardous situation which, if not avoided, could result in death or serious bodily injury.



A potentially hazardous situation which, if not avoided, may result in moderate or minor injury.

All safety messages will tell you what the potential hazard is, tell you how to reduce the chance of injury, and tell you what can happen if the instructions are not followed.

IMPORTANT SAFETY INSTRUCTIONS

WARNING: To reduce the risk of fire, electrical shock, injury to persons, or damage when using the washer, follow basic precautions, including the following:

- Keep the area around your appliance free from combustible materials such as lint, paper, rags or chemicals.
 - Close supervision is necessary if this appliance is used by or near children. Do not allow children to play on, with, or inside this appliance.
 - Do not place articles that have been previously cleaned in, washed in, soaked in, or spotted with gasoline, dry-cleaning solvents or other flammable or explosive substances in the wash water. These substances give off vapors that could ignite or explode.
 - Do not add gasoline, dry-cleaning solvents, or other flammable or explosive substances to the wash water. These substances give off vapors that could ignite or explode.
 - Do not reach into the appliance if the wash basket, tub or agitator is moving.
 - Do not tamper with the controls.
 - To minimize the possibility of electric shock, unplug this appliance from the power supply before attempting any maintenance or cleaning.
- NOTE:** Turning power off does NOT disconnect the appliance from the power supply.
- Do not attempt to service, repair or replace any part of the appliance unless specifically recommended in this user manual or in published repair instructions that you understand and have the skills to carry out.
 - Before discarding or removing from service, remove the washer door or lid.
 - Read all of the instructions before using this appliance.
 - Use this appliance only for its intended purpose as described in this user manual.
 - Do not use the washer for commercial clothes washing.

IMPORTANT SAFETY INSTRUCTIONS

- Under certain conditions, hydrogen gas may be produced in a hot-water system that has not been used for 2 weeks or more. **HYDROGEN GAS IS EXPLOSIVE.** If the hot water system has not been used for such a period, before using a washing machine, turn on all hot-water faucets and let the water flow from each for several minutes. This will release any accumulated hydrogen gas. As the gas is flammable, do not smoke or use an open flame during this time.
- This appliance must be properly installed and located in accordance with the installation instructions before it is used.
- Do not store or install this appliance where it will be exposed to temperatures below freezing or exposed to weather, which can cause damage to the appliance.
- The appliance must be properly grounded to conform with all electrical codes and ordinances. See "Electrical Requirements" section.

READ AND SAVE THESE INSTRUCTIONS

WARNING

Suffocation Hazard

Before you throw away your old appliance, remove the door or lid so that children cannot hide or get trapped inside your old appliance.

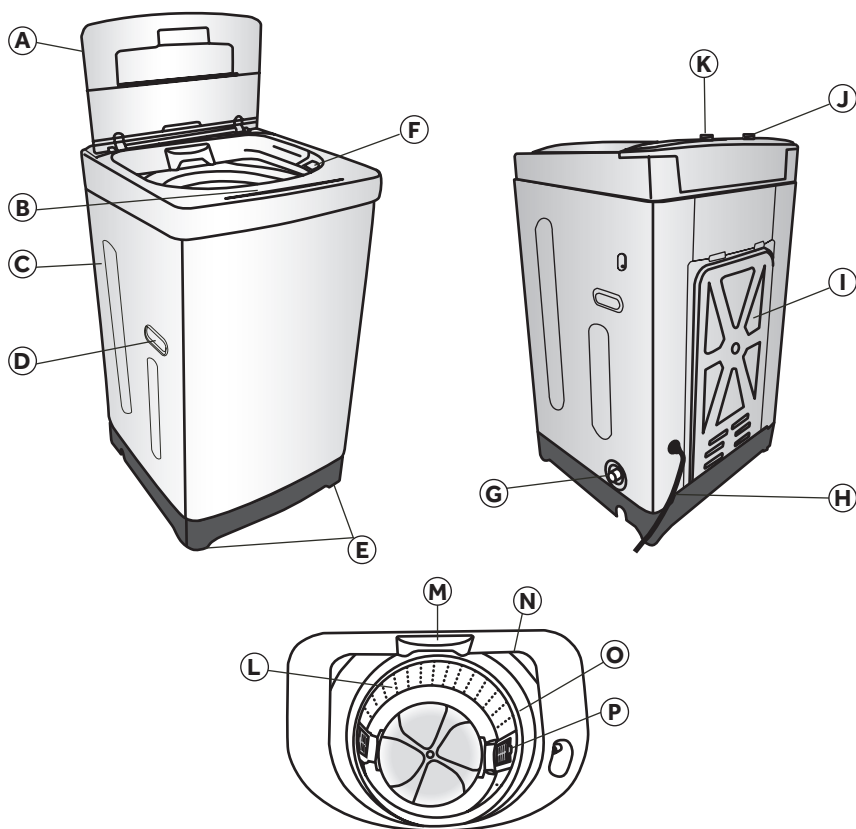
Failure to follow these instructions can result in death or brain damage.

State of California Proposition 65 Warnings:

WARNING: This product contains one or more chemicals known to the State of California to cause cancer.

WARNING: This product contains one or more chemicals known to the State of California to cause birth defects or other reproductive harm.

PARTS AND FEATURES



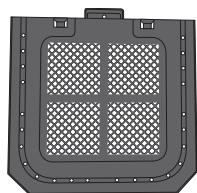
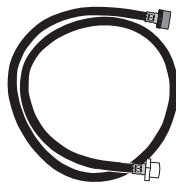
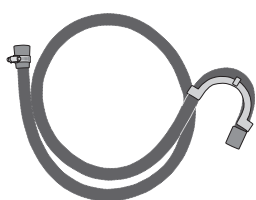
- | | |
|----------------------------------|----------------------------------|
| (A) Top Lid | (I) Access Panel |
| (B) Control Panel | (J) Cold Water Inlet Valve |
| (C) Cabinet | (K) Hot Water Inlet Valve |
| (D) Cabinet Handle | (L) Wash Basket |
| (E) Leveling Feet (2) | (M) Powdered Detergent Dispenser |
| (F) Liquid Bleach Dispenser | (N) Outer Tub Cover |
| (G) Drain Port | (O) Balance Ring |
| (H) Power Cord (120 Volt/ 60 Hz) | (P) Lint Filter |

INSTALLATION REQUIREMENTS

TOOLS NEEDED

- Pliers
- Wrench
- Flat-blade Screwdriver
- Measuring Tape
- Carpenter's Level
- Phillips Screwdriver

PARTS SUPPLIED



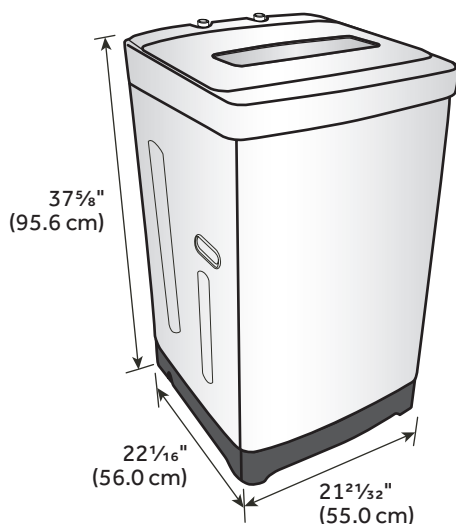
- Drain Hose Clamp
- Drain Hose Hook
- Drain Hose
- Water Hoses (2)
(flat washers pre-installed)
- User Manual
- Bottom Cover
(with screw)

LOCATION REQUIREMENTS

- The washer must be installed on a solid floor to minimize vibration during the spin cycle. A concrete floor is best.
- The floor should be level with maximum slope of 1" (25 mm) under entire washer.
- A suitable location is protected from direct sunlight and heat sources such as radiators, baseboard heaters, or cooking appliances.
- Do not install on carpeting.
- The location must have a grounded electrical outlet located within 4 ft. (1.2 m) of power cord on the back of the washer.
- Hot and cold water faucets must be present within 3 ft. (0.9 m) of the hot and cold connections on the washer.
- A water heater must supply hot water with a temperature of at least 120°F (49°C).
- The water pressure should be between 20 and 100 psi (138 and 690 kPa).

IMPORTANT: Do not install or operate the washer where it will be exposed to temperatures below 32°F (0°C). Water remaining in the washer will freeze and cause damage to the washer.

WASHER DIMENSIONS

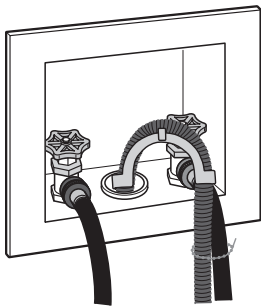


DRAIN SYSTEM REQUIREMENTS

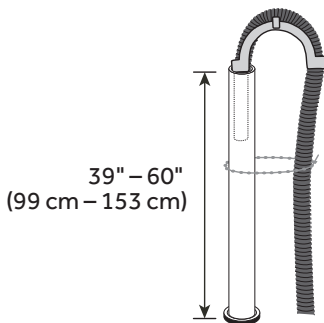
WALL OR FLOOR STANDPIPE

The height of the standpipe must be between 39" (99 cm) and 60" (153 cm) from the bottom of the washer. The minimum diameter of the standpipe must be 2" (5 cm).

Wall

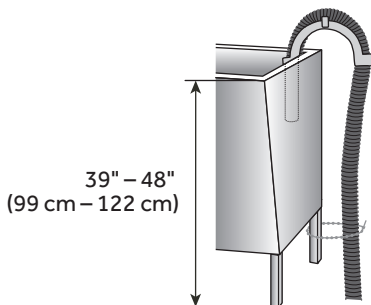


Floor



LAUNDRY TUB

The laundry tub must have a minimum capacity of 20 gal. (76 L). The height of the laundry tub must be at least 39" (99 cm) and no more than 48" (122 cm).



ELECTRICAL REQUIREMENTS

⚠ WARNING



Electrical Shock Hazard

The washer must be connected to a properly grounded 120 volt, 60 Hz., AC only, 15- or 20-amp, fused electrical supply. A time-delay fuse or circuit breaker is recommended.

Failure to do so could result in death, fire or electric shock.

- If you are in doubt the electric supply provided meets the above requirements, contact a licensed electrician.

⚠ WARNING



Electrical Shock Hazard

Plug into a grounded 3 prong outlet.

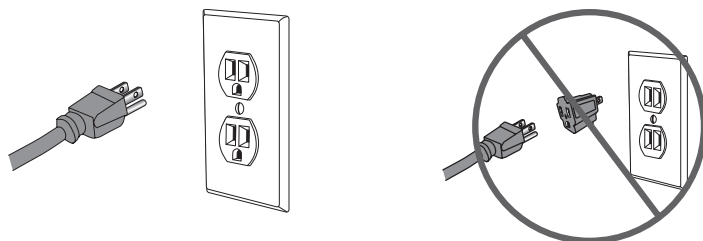
Do not remove the ground prong from the power cord plug.

Do not use an adapter.

Do not use an extension cord.

Failure to do so can result in death, fire or electrical shock.

- A 120 volt, 60 Hz., AC only, 15- or 20-amp, fused electrical supply is required. A time-delay fuse or circuit breaker is recommended. It is recommended that a separate circuit breaker serving only this appliance be provided.
- This washer is equipped with a power supply cord having a 3 prong grounding plug.
- To minimize possible shock hazard, the cord must be plugged into a mating, 3 prong, grounding-type outlet, grounded in accordance with local codes and ordinances. If a mating outlet is not available, it is the personal responsibility and obligation of the customer to have the properly grounded outlet installed by a qualified electrician.



- If codes permit and a separate ground wire is used, it is recommended that a qualified electrician determine that the ground path is adequate.
- Do not ground to a gas pipe.
- Check with a qualified electrician if you are not sure the washer is properly grounded.
- Do not have a fuse in the neutral or ground circuit.

GROUNDING INSTRUCTIONS

For a grounded, cord-connected washer:

The washer must be grounded. In the event of a malfunction or breakdown, grounding will reduce the risk of electric shock by providing a path of least resistance for electric current. The washer is equipped with a cord having an equipment-grounding conductor and a grounding plug. The plug must be plugged into an appropriate outlet that is properly installed and grounded in accordance with all local codes and ordinances.

WARNING: Improper connection of the equipment-grounding conductor can result in a risk of electric shock.

Check with a qualified electrician or serviceman if you are in doubt whether the washer is properly grounded.

Do not modify the plug provided with the washer; if it will not fit the outlet, have a proper outlet installed by a qualified electrician.

For a permanently connected washer:

The washer must be connected to a grounded metal, permanent wiring system, or an equipment-grounding conductor must be run with the circuit conductors and connected to the equipment-grounding terminal or lead on the washer.

INSTALLATION INSTRUCTIONS

We recommend that your new washer be installed by a qualified appliance technician. If you feel that you have the skills to install the washer, please read the installation instructions carefully before installing.

IMPORTANT:

- If, after completing these steps, you are unsure that the washer is properly installed, contact a qualified appliance technician.
- If your washer was just delivered and the outside temperature was below freezing, do not operate until the washer warms up to room temperature.

STEP 1 - UNPACK THE WASHER

! WARNING



Suffocation Hazard

To avoid danger of suffocation, keep plastic bag and other packing material away from babies and children. Do not use this bag in cribs, carriages and playpens. The plastic bag could block nose and mouth and prevent breathing. This bag is not a toy.

Failure to follow these instructions can result in death or brain damage.

! WARNING

Excessive Weight Hazard

Use two or more people to move and install washer.

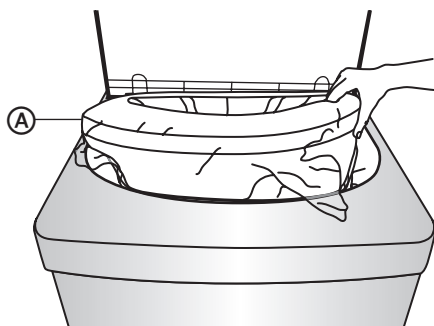
Failure to do so can result in back or other injury.

1. Remove all packing materials. This includes the foam base, molded plastic support and all adhesive tape holding the washer accessories inside and outside.

IMPORTANT: Failure to remove the packing base will cause the washer to not operate properly and will void your warranty.

- Open the lid to access the wash basket brace. Pull up on the basket brace to remove.

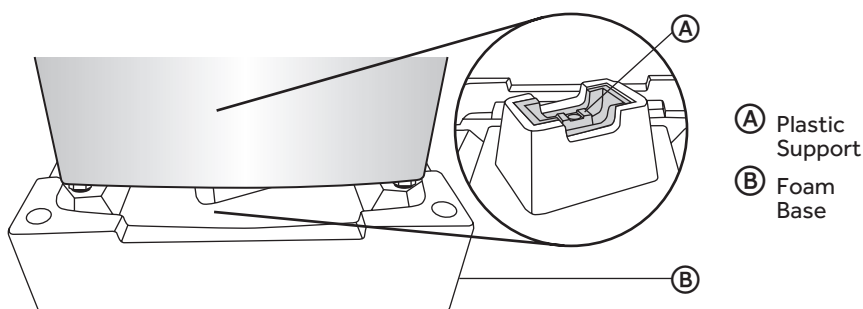
NOTE: Save the wash basket brace to use when moving the washer in the future.



(A) Wash Basket Brace

- Using two or more people, lift the washer off of the packing base and the molded plastic support.

NOTE: It is possible for the plastic support, under the U bracket, to remain attached to the bottom of the washer. Make sure it is removed with the foam base.



(A) Plastic Support

(B) Foam Base

2. Inspect the washer, and remove any remnants of packaging, tape or printed materials before using the washer.
3. Properly dispose of /recycle all packing material.

STEP 2 - INSTALL BOTTOM COVER

⚠ WARNING



Electrical Shock Hazard

Install bottom cover.

Lock all four casters prior to operating washer.

Failure to do so can result in death, electric shock or personal injury.

⚠ WARNING



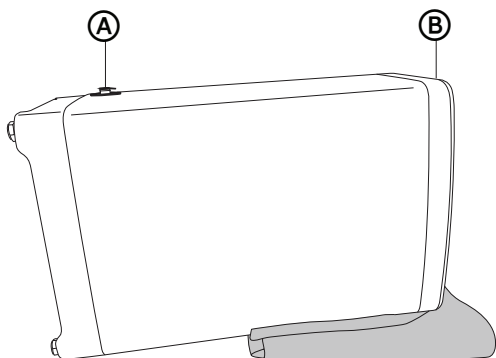
Electrical Shock Hazard

Disconnect power before servicing.

Replace all parts and panels before operating.

Failure to do so can result in death or electrical shock.

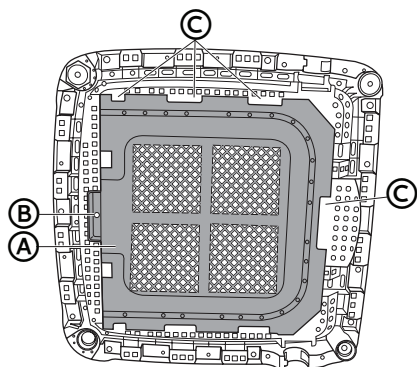
1. Lay folded blankets or towels on the floor to create an incline.
2. Using two or more people, lay the washer onto its side so that the top of the washer is higher than the base, and the drain outlet is facing upward.



- Ⓐ Drain Outlet
- Ⓑ Top of Washer

3. With the side of the bottom cover that is marked FRONT/UP toward the interior and front of the washer, align the edges of the cover with the track in the bottom of the washer.
4. From the front of the washer, slide the bottom cover fully into the track making sure the edges of the cover are behind the tabs.

NOTE: When the cover is completely inserted into the track behind the tabs, the hole for the screw will be flush and aligned with the hole in the cabinet bottom.

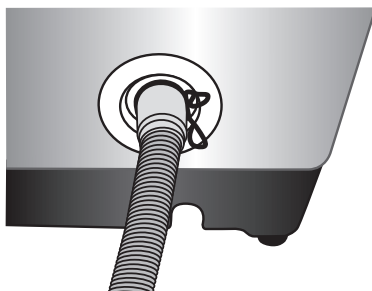


- (A) Bottom Cover
- (B) Screw Hole
- (C) Tabs

5. Using the screw (provided), fasten the bottom cover to the cabinet base.
6. Using two or more people, stand the washer upright.

STEP 3 - CONNECT AND SECURE THE DRAIN HOSE

1. Enlarge the opening by squeezing the ends of the drain hose clamp together. Slide the clamp over the end of the drain hose, and onto the flexible section of the hose.
2. Fit the end of the drain hose over the plastic drain port extending from the washer.
3. Squeeze the ends of the clamp to enlarge the opening and slide the clamp over the connection of the drain hose and drain port. Release the clamp to tighten.



4. Put the drain hose hook end in a drain pipe or laundry tub.
5. Secure the drain hose in place by fastening it to a water hose, the standpipe, or a leg on the laundry tub. See "Drain System Requirements" for illustrations.

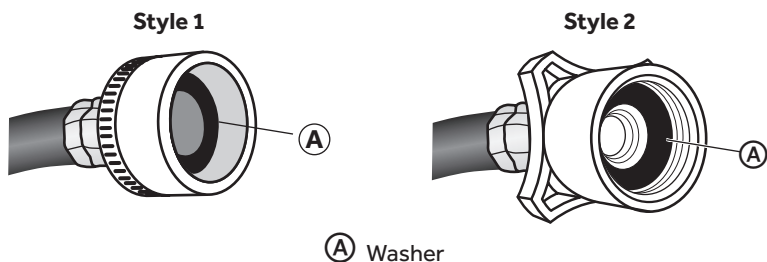
STEP 4 - CONNECT THE WATER HOSES

Depending on your model, the water hoses provided will be either **Style 1** or **Style 2**. Follow the instructions specific to the style of water hoses provided.

IMPORTANT: Only use new hoses when installing the washer. The water hoses must have a coarse thread connectors on one end (to connect to the household water supply), and fine thread connectors on the other end (to connect to the washing machine).

NOTE: Periodically inspect hoses for cracks, cuts, leaks or wear. Replace with new hoses every 5 years.

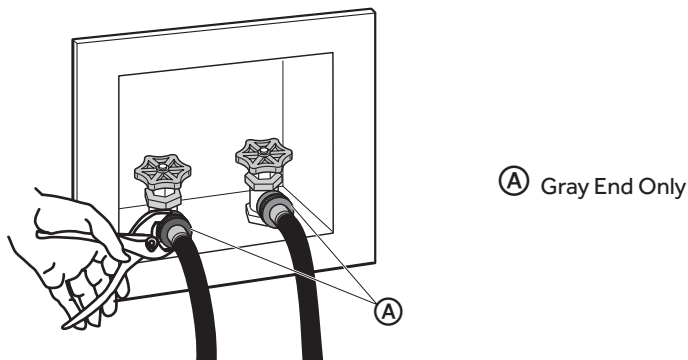
1. Check that a flat washer is present and firmly in place in each end of the water inlet hoses. Flat washers are pre-installed at the factory.



2. Thread the inlet hoses onto the water faucets by hand until firmly hand tightened.

IMPORTANT: To avoid damage to the hose couplings, do not overtighten.

NOTE: To avoid damage to the faucets do not use plumber's tape or sealants on the valve threads.



3. Thread the white end of the inlet hoses by hand onto the inlet valves marked "H" (hot) and "C" (cold) on the back of the washer until snug.

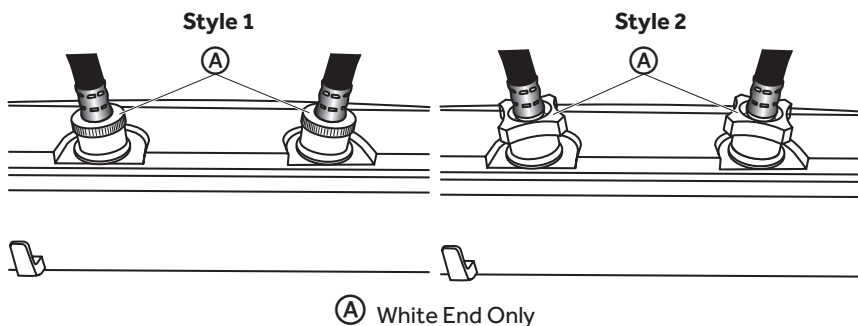
IMPORTANT:

- Do not connect the gray end of the inlet hose to the washer. You will damage the threads and it will leak.
- To avoid damage to the hose couplings, do not over tighten.

Style 1 - Using pliers, tighten the connection an additional two-thirds turn.

Style 2 - Do not use pliers to tighten the connection.

NOTE: To avoid damage to the washer inlet valves, do not use plumber's tape or sealants on the valve threads.



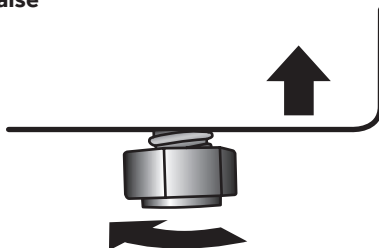
4. Turn on the hot and cold water faucets and check for leaks. If there is any leaking, check steps 1 through 3 again.

STEP 5 - LEVEL THE WASHER

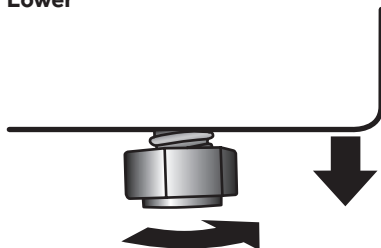
IMPORTANT: Proper leveling of the washer will help reduce noise and vibration.

1. Place washer in its final location. Check that the water and drain lines are not strained or pinched. Make sure that all four feet are firmly in contact with the floor and that the washer rests solidly in position.
2. Using a carpenter's level, check to make sure the washer is level from side to side and from front to back.
3. If the washer is not level, adjust the leveling feet. Turn clockwise to extend (raise the washer) or counterclockwise to retract (lower the washer).

Raise



Lower



STEP 6 - COMPLETE INSTALLATION**⚠ WARNING****Electrical Shock Hazard**

Plug into a grounded 3 prong outlet.

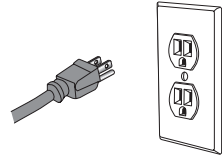
Do not remove the ground prong from the power cord plug.

Do not use an adapter.

Do not use an extension cord.

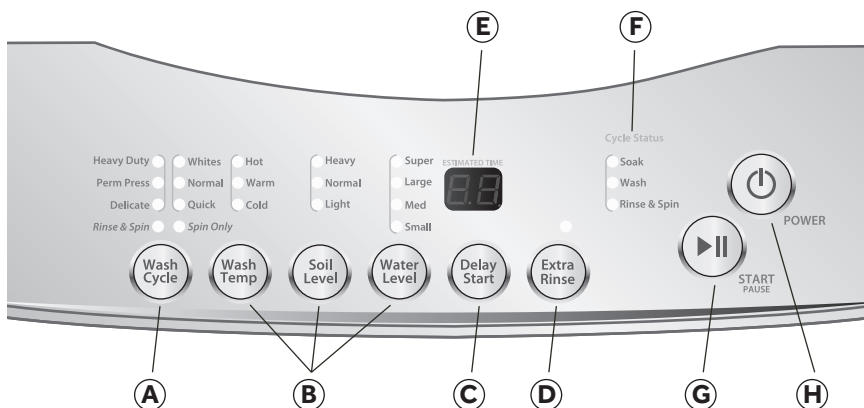
Failure to do so can result in death, fire or electrical shock.

1. Plug the washer into a grounded 3 prong outlet.
2. Check that water faucets are turned on.
3. Dispose of/recycle all packaging materials.
4. Run a normal wash cycle using detergent to test and clean the washer. See the "Operating Instructions" section.



CONTROL PANEL AND FEATURES

CONTROL PANEL



A WASH CYCLE BUTTON

- Use this button to select the desired cycle for your wash load.
- The standard default settings of each cycle will be displayed; the default settings can be changed by using the Setting buttons - Wash Temp, Soil Level, and Water Level.
- There are 8 cycles to choose from:

Heavy Duty - Use this cycle for heavily soiled durable garments. This cycle can also be used for towels, sports gear, children's clothes, etc.

Whites - Use this hot water cycle for white and light colored clothing that is susceptible to transfer of dye.

Perm Press - Use this cycle for light to normally soiled garments.

Normal - Use this cycle for normally soiled cottons and mixed fabric loads.

Delicate - Use this cycle to wash lightly soiled garments and delicate clothes that need gentle washing.

Quick - Use this cycle to wash small, lightly soiled loads that are needed in a hurry.

Rinse & Spin - Use this cycle for removing excess detergent and refreshing clean garments.

Spin Only - Use this cycle to extract water from sink washed or clean wet garments.

B SETTING BUTTONS

Wash Temp Button

- Use this button to select a wash temperature; all rinses use cold water. For best results follow your garment label instructions and use the warmest water temperature that is safe for your fabric.
- Not all selections are available for all cycles.

Soil Level Button

- Use this button to select the soil level that is most appropriate for your load. Based on the soil level, the wash time will increase or decrease by 4-8 minute increments in the Estimated Time Remaining Display.
- There are 3 soil levels to choose from - Heavy, Normal, Light

Water Level Button

- Use this button to select an appropriate water level for your load. Small is the lowest water level and Super is the highest.

C DELAY START BUTTON

- Press this button to delay the start of your wash cycle between 1 - 24 hours in one hour increments.
- Use this button to select a delayed start of the washer. The number of hours will be shown in the Estimated Time Remaining Display. Each press of the Delay Start Button will increase the time by 1 hour.
- One button press after 24 will cancel the Delay Start feature. You can also cancel the Delay Start feature by turning off power to the washer with the Power Button.
- The Start/Pause Button must be selected to begin the countdown.

D EXTRA RINSE BUTTON

- Press to add an extra rinse to your wash cycle.

NOTE: Some cycles have this option as a default. See the Cycle Guide for details.

E ESTIMATED TIME REMAINING DISPLAY

- The Estimated Time Remaining Display shows the estimated cycle time in minutes.
- When the Delay Start option is being used, the Estimated Time Remaining Display will show the delay time in hours.

F CYCLE STATUS INDICATORS

- The Cycle Status lights indicate the stages of the selected cycle.

G START/PAUSE BUTTON

- Press this button to start a selected cycle or to pause an operating cycle.

NOTE: After starting the wash cycle, you must pause the operating cycle to change the Wash Temp, Soil Level and Water Level settings.

H POWER BUTTON

IMPORTANT: Switching off power with the power button does not disconnect the appliance from the electrical supply.

- Press the power button to turn on the washer.

NOTE: If the washer is turned on, but START is not pressed, the power will automatically turn off after 5 minutes.

CYCLE GUIDE

NOTE: To protect your wash load, all options and settings are not available for all cycles. The shaded boxes indicate the default settings for each cycle.

CYCLE	FABRIC TYPE	WASH PROCESS	EST TIME	WASH TEMP	SOIL LEVEL	WATER LEVEL	EXTRA RINSE
Heavy Duty	Heavily soiled, durable colorfast fabrics	12 Min Soak 25 Min Wash Rinse Spin	1:08	Warm	Normal	Medium	•
				Hot Cold	Heavy Light	Super Large Small	
Whites	White garments	12 Min Soak 25 Min Wash Rinse Spin	1:15	Hot	Normal	Medium	•
				Warm Cold	Heavy Light	Super Large Small	
Perm Press	Wrinkle-free and synthetics	16 Min Wash Rinse Spin	:35	Warm	Normal	Medium	•
				Cold	Heavy Light	Super Large Small	
Normal	Cottons, linens and mixed garments	16 Min Wash Spray Rinse Spin	:40	Warm	Normal	Medium	•
				Hot Cold	Heavy Light	Super Large Small	
Delicate	Lingerie, sheer fabrics with lace trim	10 Min Wash Rinse Spin	:29	Warm	Normal	Medium	•
				Cold	Heavy Light	Super Large Small	
Quick	Cottons, linens and mixed garments	9 Min Wash Rinse Spin	:23	Warm	Normal	Medium	•
				Hot Cold	Heavy Light	Super Large Small	
Rinse & Spin	Unsoiled garments	Rinse Spin	:17	Cold only	n/a	Medium	•
						Super Large Small	
Spin Only	Clean soaking wet garments	Spin	:06	n/a	n/a	n/a	

• Extra Rinse will add about 7 minutes.

WASHER USE

STEP 1 - PREPARE AND SORT LAUNDRY

PREPARE LAUNDRY

- Check garment labels for manufacturer's washing instructions.
- Empty pockets and turn them inside out.
- Remove loose items (pins, bobby pins, coins, rings, earrings, napkins, etc.) from clothes to prevent scratching of the wash basket or clogging the drain pump.
- Turn down cuffs and remove any lint or dirt.
- Tie strings and sashes so they don't tangle.
- Close zippers, snaps and hooks to avoid snagging.
- Pretreat all stains and heavily soiled areas.
- Turn synthetic and wool knits inside out to avoid pilling.

SORT LAUNDRY

- Sort laundry by the type of wash cycle required (water temperature and wash action).
- Separate light colors from dark colors and colorfast items from non-colorfast items.
- Separate heavy duty fabrics from light weight fabrics.
- Separate fabrics that attract lint from fabrics that give off lint.
- Separate bulky items such as blankets or pillows.

STEP 2 - ADD FABRIC CARE PRODUCTS

ADD DETERGENT

- Use only High Efficiency detergent. HE detergents are specifically formulated with ingredients to avoid problems caused by too many soap suds. Excess suds will prevent the complete rinsing of detergent residue from clothes.
- If you select the Quick cycle, it is recommended that you use a liquid laundry detergent to achieve optimum results. Powdered detergent may not dissolve fast enough to clean well in this cycle.
- Determine the amount of detergent. Follow the detergent use instructions on the container.



NOTE: The proper amount of detergent depends on the size of the load, the soil level of the clothes, and the softness of the water being supplied to the washer.

Liquid Detergent

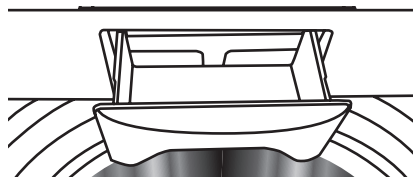
1. Fill washer with a small amount of water and add liquid detergent.

NOTE: For best results, add the detergent to the wash basket before loading with laundry.

2. Run washer for 30 seconds to dissolve detergent completely.

Powdered Detergent

1. Pour measured powdered detergent directly into the detergent dispenser.



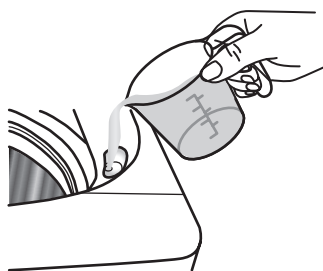
ADD BLEACH (IF DESIRED)

- Pour measured liquid chlorine bleach into the liquid chlorine bleach dispenser.

NOTE: Use only liquid bleach in this dispenser.

IMPORTANT: Be careful not to spill undiluted bleach onto the washer cabinet or your clothes. Since it is a strong chemical, it may damage clothes or the finish of the washer.

- Follow manufacturer's directions on garment label for recommended use of liquid or powder bleach.



STEP 3 - LOAD THE WASHER

1. Load garments loosely and evenly around the wash basket.
2. Do not place clothes directly over the center of the pulsator.
3. Close the washer lid.

NOTES:

- Do not overload or stuff items into the wash basket. Overloading may reduce wash efficiency, cause excess wear and possibly cause creasing or wrinkling of the load.
- The washer will not pulsate or spin with the lid open.

STEP 4 - START THE WASHER

1. Press the POWER button to turn the washer on.
2. Select a wash cycle.
3. Modify the default settings and options if desired.
4. Press the START/PAUSE button to start the wash cycle.

WASHER CARE

WARNING



Electrical Shock Hazard

Disconnect power before cleaning.

Failure to do so can result in death or electrical shock.

- Unplug or disconnect power.

CLEANING

GENERAL

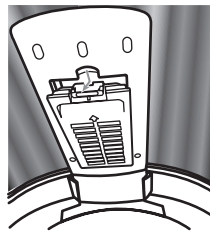
- Only use a damp or sudsy cloth for cleaning the control panel.
- If you spill liquid/powdered softener, bleach or detergent on the cabinet, wipe the cabinet immediately to avoid damage to the finish.
- Do not use abrasive cleansers, harsh chemicals, ammonia, chlorine bleach, concentrated detergent, or solvents to clean the washer. These chemicals may dissolve, damage, or discolor the washer.
- After washing clothes, leave the lid open so that moisture inside the machine can evaporate and to prevent the growth of mold or mildew.

DETERGENT DISPENSER

1. Pull the dispenser drawer out to the stop and lift up slightly to remove.
2. Rinse the dispenser with warm water and dry it thoroughly with a soft cloth.
3. Insert the drawer at a slightly downward angle and push it back into place.

LINT FILTER

1. Push down on the tab at the top of the filter to release the filter from the wash basket.
2. Turn the filter over so the back side of the filter is facing upward.
3. While holding the filter firmly with one hand, lift up on the bottom of the filter to separate the front of the filter from the back, so you can access the filter screen.
4. Clean the filter screen and replace the back of the filter.
5. Slide the filter into the wash basket and firmly press it into place.



IMPORTANT: Both lint filters must be in place during the wash cycles. Clean the lint screens after each wash load.

- Plug in or reconnect power.

VACATIONING PRECAUTIONS

- Unplug or disconnect power.
- Turn off both the cold water and hot water supply faucets. This will eliminate the potential for damage to your home if a water hose ruptures or leaks.
- Dry the wash basket.
- Leave the lid open so that moisture inside the machine can evaporate and to prevent the growth of mold or mildew.

MOVING OR STORAGE PREPARATION

In addition to performing the "Vacationing Precautions," complete the following additional steps.

- Unplug or disconnect power.
- Disconnect the water hoses and the drain hose and place them into the wash basket.
- Turn the leveling feet so that they are fully retracted into the washer cabinet.
- If moving the washer, place the wash basket brace from the original packing materials back into the top of the washer opening. Use masking tape to secure the washer lid.
- Move and store your washer in an upright position only.
- Do not store your washer in a cold environment where temperatures fall below freezing; store at room temperature.

REINSTALLING/USING WASHER AGAIN

WARNING



Electrical Shock Hazard

Plug into a grounded 3 prong outlet.

Do not remove the ground prong from the power cord plug.

Do not use an adapter.

Do not use an extension cord.

Failure to do so can result in death, fire or electrical shock.

To reinstall washer after non-use, vacation, winter storage or moving:

1. Refer to Installation Instructions to locate, level, and connect washer.
2. Before using again, run washer through the following recommended procedure:

To use washer again:

1. Flush water pipes and hoses. Reconnect water inlet hoses. Turn on both water faucets.
2. Plug in washer or reconnect power.
3. Run washer through Wash cycle to clean washer and remove antifreeze, if used.

NOTE: Use only HE High Efficiency detergent. Use half the manufacturer's recommended amount for a medium-size load.

TROUBLESHOOTING

First try the solutions suggested here to possibly avoid the cost of a service call.

OPERATION

PROBLEM	POSSIBLE CAUSE(S)	SOLUTION
Washer does not run	There is no electrical power going to the washer.	Plug the power cord into a grounded 3 prong outlet.
	Circuit breaker tripped or fuse blown	Reset/ Turn on circuit breaker or replace fuse.
	The washer is overloaded or the wash load is not balanced.	Laundry may need to be removed or redistributed to re-balance the load.
	The Delicate cycle was selected.	The washer pauses during some cycles for the laundry to soak. When the soak time ends, the washer will restart automatically.
	The washer lid is open.	Close the washer lid.
Washer lid will not open	Washer lid is locked.	Press Start/Pause to stop your washer. It may take a few moments for the lid lock to disengage.

WATER

PROBLEM	POSSIBLE CAUSE(S)	SOLUTION
Water flow is slow or filling takes a long time	Water inlet faucets are not fully turned on.	Make sure that the water faucets are fully turned on.
	Water fill hose is kinked.	Make sure the water hoses are not tangled, kinked, or pinched.
Water temperature is too warm or cold	Water heater temperature is not set correctly.	Hot water needs to be at a temperature of at least 120°F - 140°F (49°C - 60°C).
	Water inlet hoses are not connected correctly.	Make sure the inlet hoses are properly connected (hot to hot and cold to cold).
Water leaks	Water hose connections are not tight.	Make sure the inlet hose connections at the faucets and washer are tight.
	Drain hose connection is not secure or the hose is not properly positioned in the drain.	Make sure the drain hose connection at the washer is secure and that the drain hose is properly positioned at the drain location.
	Undetermined water leaks	Call a qualified plumber.

PROBLEM	POSSIBLE CAUSE(S)	SOLUTION
Water will not drain from washer	Drain hose is not properly connected to the washer.	Reconnect drain hose to the washer.
	Drain hose is not positioned properly.	In order to drain properly, the top of drain outlet must be at least 39" (99 cm) above the floor.
	Sink or drainpipe is clogged.	Remove blockages from the sink or drainpipe.

NOISE

PROBLEM	POSSIBLE CAUSE(S)	SOLUTION
Thumping Sound	Wash load may be unbalanced.	Pause the washer and redistribute items in the wash basket.
Rattling or Clanking	Foreign objects may be in the washer.	Stop the washer and check for keys or coins.
Squealing	Washer may be overloaded.	Stop the washer and remove part of the wash load.
Vibration	Washer may not be level.	Check that all 4 feet are resting firmly on the floor and that the washer is level.

CLOTHING

PROBLEM	POSSIBLE CAUSE(S)	SOLUTION
Wrinkling	Improper wash load sorting, overloading or washing at the wrong temperature.	Avoid overloading and do not mix heavy clothing with light or delicate items.
Detergent residue	Detergent may not completely dissolve in extremely cold water.	Select a warm water wash temperature and make sure the hot water heater is providing hot water; at least 120°F (49°C).
Clothing are gray or yellowed	Wash load not separated by color.	Separate darks from lights and whites to avoid the transfer of dyes.
	Did not use enough detergent or the soil level of the wash load requires a warmer wash temperature.	Large and heavily soiled laundry may need more detergent and hotter wash water. Refer to detergent manufacturer's directions for recommended usage.
Clothing is torn or snagged	Wash load is not prepared for laundering.	Tie strings and sashes. Empty pockets, fasten belts, and close zippers, metal snaps or hook fasteners before loading.
Bleach Stains NOTE: Bleach stains may appear as color loss spots	Laundry has direct contact with bleach.	Do not pour or splash bleach directly on clothing. If you are using the dispenser and still notice stains, try using diluted bleach.
Clothing appearing older and worn	Using the wrong wash cycle or water temperature.	Follow clothing manufacturer's instructions for garment care.

FOR MORE HELP, VISIT HAIER.COM OR CALL THE CONSUMER HELP LINE AT 1-877-377-3639.

LIMITED WARRANTY

IN HOME SERVICE

FULL ONE YEAR WARRANTY

For 12 months from the date of original retail purchase, Haier will repair or replace any part free of charge including labor that fails due to a defect in materials or workmanship.

Haier may replace or repair at their sole discretion any part, sub system including the entire product.

Product must be accessible, without encumbrance and installed properly to receive for warranty repair service.

LIMITED WARRANTY

After one year from the original retail purchase date, Haier will provide a part at no cost, as indicated below, to replace said part as a result of a defect in materials or workmanship. Haier is solely responsible for the cost of the part. All other costs such as labor, trip charge, etc are the responsibility of the owner.

Second through Fifth Year

Haier will provide the outer washtub and related outer tub assembly parts should the part fail to hold water.

Second through Seventh Year

Haier will provide the inner stainless steel wash basket if defective in material or workmanship.

NOTE: This warranty commences on the date the item was purchased, and the original purchase receipt must be presented to the authorized service representative before warranty repairs are rendered.

Exceptions: Commercial Use Warranty

90 days labor from date of original purchase

90 days parts from date of original purchase

No other warranty applies.

FOR WARRANTY SERVICE

Contact your nearest authorized service center. All service must be performed by a Haier authorized service center. For the name and telephone number of the nearest authorized service center, please call 1-877-337-3639.

Before calling please have available the following information:

Model number and serial number of your appliance. The name and address of the dealer you purchased the unit from and the date of purchase.

A clear description of the problem.

A proof of purchase (sales receipt).

This warranty covers appliances within the continental United States, Puerto Rico and Canada. What is not covered by this warranty:

Replacement or repair of household fuses, circuit breakers, wiring or plumbing.

A product whose original serial number has been removed or altered.

Any service charges not specifically identified as normal such as normal service area or hours.

Damage to clothing.

Damage incurred in shipping.

Damage caused by improper installation or maintenance.

Damage from misuse, abuse accident, fire, flood, or acts of nature.

Damage from service other than an authorized Haier dealer or service center.

Damage from incorrect electrical current, voltage or supply.

Damage resulting from any product modification, alteration or adjustment not authorized by Haier.

Adjustment of consumer operated controls as identified in the owner's manual.

Hoses, knobs, lint trays and all attachments, accessories and disposable parts.

Labor, service transportation, and shipping charges for the removal and replacement of defective parts beyond the initial 12-month period.

Damage from other than normal household use.

Any transportation and shipping charges.

THIS LIMITED WARRANTY IS GIVEN IN LIEU OF ALL OTHER WARRANTIES, EXPRESSED OR, INCLUDING THE WARRANTIES OF MERCHANTABILITY AND FITNESS FOR A PARTICULAR PURPOSE

The remedy provided in this warranty is exclusive and is granted in lieu of all other remedies.

This warranty does not cover incidental or consequential damages, so the above limitations may not apply to you. Some states do not allow limitations on how long an implied warranty lasts, so the above limitations may not apply to you.

This warranty gives you specific legal rights, and you may have other rights, which vary from state to state.

Haier America
New York, NY 10018

TABLE DES MATIÈRES

SÉCURITÉ DE LA LAVEUSE	30
PIÈCES ET CARACTÉRISTIQUES	33
EXIGENCES D'INSTALLATION	34
Outils nécessaires	34
Pièces fournies.....	34
Critères d'emplacement	34
Critères du système de vidange	35
Spécifications électriques.....	36
Instructions de liaison à la terre	38
INSTRUCTIONS D'INSTALLATION	38
Étape 1 - Déballer la laveuse	39
Étape 2 - Installation du couvercle inférieur	41
Étape 3 - Raccordement et immobilisation du tuyau de vidange.....	43
Étape 4 - Raccordement des tuyaux d'admission d'eau	43
Étape 5 - Nivellement de la laveuse	45
Étape 6 - Fin de l'installation	45
TABLEAU DE COMMANDE ET FONCTIONS	46
UTILISER LA LAVEUSE	50
Étape 1 - Préparation et tri du linge	50
Étape 2 - Ajout de produits de soin des tissus	51
Étape 3 - Chargement de la laveuse	52
Étape 4 - Mise en marche de la laveuse	52
GUIDE D'ENTRETIEN ET DE NETTOYAGE	52
Nettoyage et entretien.....	52
Précautions à prendre avant un départ	53
Préparation avant un déménagement ou un entreposage	54
Réinstallation/réutilisation de la laveuse.....	54
DÉPANNAGE	55
GARANTIE LIMITÉE	58

DOCUMENTS À CONSERVER

Merci d'avoir acheté ce produit Haier.
Ce manuel d'utilisation vous aidera
à obtenir la meilleure performance
possible de votre nouvelle laveuse.

Pour référence ultérieure, inscrire le
numéro de plaque signalétique situé
au dos de la laveuse, ainsi que la date
d'achat.

Pour faciliter l'obtention d'un service
sous garantie, agraffer la preuve de la
date d'achat à ce manuel.

Numéro de modèle

Numéro de série

Date d'achat

SÉCURITÉ DE LA LAVEUSE

Votre sécurité et celle des autres est très importante.

Nous donnons de nombreux messages de sécurité importants dans ce manuel et sur votre appareil ménager. Assurez-vous de toujours lire tous les messages de sécurité et de vous y conformer.



Voici le symbole d'alerte de sécurité.

Ce symbole d'alerte de sécurité vous signale les dangers potentiels de décès et de blessures graves à vous et à d'autres. Tous les messages de sécurité suivront le symbole d'alerte de sécurité et le mot "DANGER", "AVERTISSEMENT" ou "ATTENTION".

Ces mots signifient :

⚠ DANGER

Une situation de danger imminent. Vous courez le risque d'un décès ou de blessures graves si vous ne suivez pas immédiatement les instructions.

⚠ AVERTISSEMENT

Une situation potentiellement dangereuse qui, si vous ne l'évitez pas, peut provoquer la mort ou des blessures graves.

⚠ ATTENTION

Une situation potentiellement dangereuse qui, si vous ne l'évitez pas, peut entraîner des blessures légères à modérées.

Tous les messages de sécurité vous diront quel est le danger potentiel et comment réduire le risque de blessure et ce qui peut se produire en cas de non-respect des instructions.

IMPORTANTES INSTRUCTIONS DE SÉCURITÉ

AVERTISSEMENT : Afin de réduire le risque d'incendie, de choc électrique ou de blessures lors de l'utilisation de la laveuse, il convient d'observer certaines précautions fondamentales, notamment :

- L'espace autour de l'appareil doit être libre de toute matière combustible comme de la charpie, du papier, des chiffons ou des produits chimiques.
 - Une surveillance attentive s'impose lorsque cet appareil ménager est utilisé par ou à proximité d'enfants. Ne pas laisser des enfants jouer avec l'appareil, ni jouer dessus ou à l'intérieur.
 - Ne pas placer dans l'eau de lavage des articles précédemment nettoyés, lavés, trempés ou tachés avec de l'essence, des solvants pour nettoyage à sec ou d'autres substances inflammables ou explosives. Ces substances dégagent des vapeurs qui pourraient s'enflammer ou exploser.
 - Ne pas ajouter d'essence, de solvants pour nettoyage à sec ou d'autres substances inflammables ou explosives à l'eau de lavage. Ces substances dégagent des vapeurs qui pourraient s'enflammer ou exploser.
 - Ne pas accéder à l'intérieur de l'appareil si le panier de lavage, la cuve ou l'agitateur est en mouvement.
 - Ne pas effectuer d'intervention non autorisée sur les commandes.
 - Afin de réduire le risque de choc électrique, débrancher cet appareil de l'alimentation électrique avant d'effectuer un dépannage ou un nettoyage.
- REMARQUE :** La mise hors tension ne déconnecte PAS de déconnecter l'appareil de l'alimentation électrique.
- Ne pas réparer ou remplacer une quelconque pièce de l'appareil ou effectuer une opération d'entretien qui ne soit pas expressément recommandé(e) dans ce manuel d'utilisation ou dans les instructions de réparation fournies et que vous compreniez et soyez capable d'exécuter ces instructions.
 - Retirer la porte ou le couvercle de la laveuse avant de la jeter ou de la rendre inutilisable.
 - Lire toutes les instructions avant d'utiliser cet appareil.
 - Utiliser cet appareil uniquement dans le but auquel il est destiné et tel que décrit dans le présent manuel d'utilisation.
 - Ne pas utiliser la laveuse pour le nettoyage de vêtements dans un cadre commercial.

IMPORTANTES INSTRUCTIONS DE SÉCURITÉ

- Dans certaines conditions, un système d'eau chaude qui n'a pas été utilisé depuis 2 semaines ou plus peut produire de l'hydrogène. L'HYDROGÈNE EST UN GAZ EXPLOSIF. Si le système d'eau chaude est resté inutilisé pendant une telle période, ouvrir tous les robinets d'eau chaude et laisser l'eau s'y écouler pendant plusieurs minutes avant d'utiliser une laveuse. Ceci libérera toute accumulation d'hydrogène. Le gaz est inflammable : ne pas fumer ou utiliser une flamme nue durant cette période.
- Avant d'être utilisé, cet appareil doit être correctement installé et placé dans la pièce, conformément aux instructions d'installation.
- Ne pas entreposer ou installer cet appareil dans un endroit où il sera exposé aux intempéries ou à des températures inférieures au point de congélation; cela pourrait endommager l'appareil.
- L'appareil doit être correctement relié à la terre, conformément à tous les critères des codes et règlements locaux régissant les installations électriques. Voir la section "Spécifications électriques".

LIRE ET CONSERVER CES INSTRUCTIONS

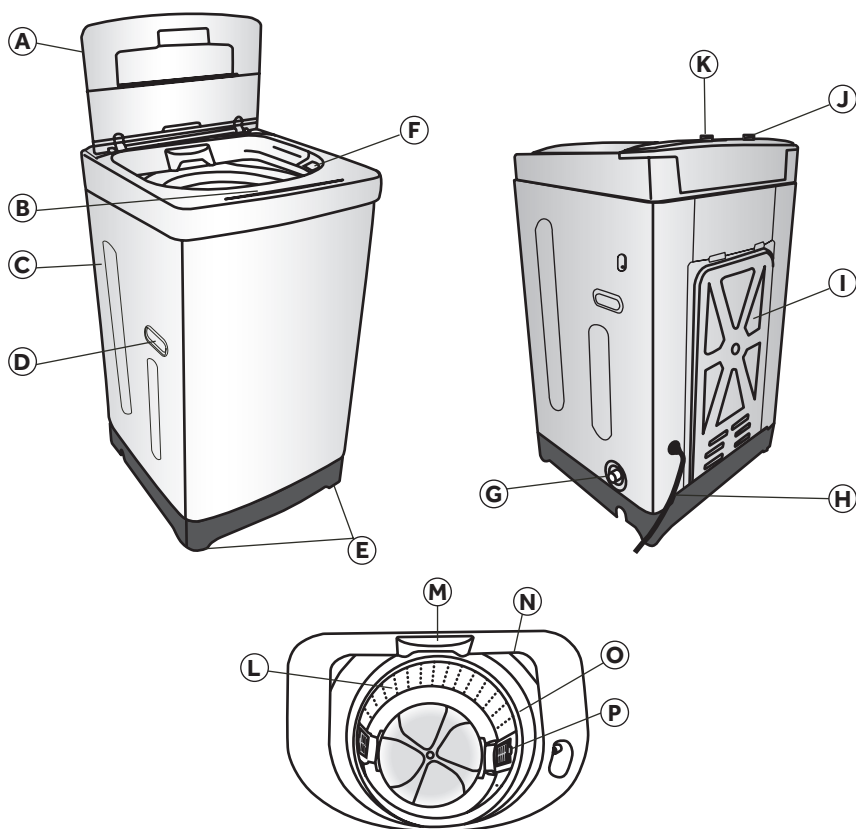
⚠ AVERTISSEMENT

Risque de suffoquer

Avant de jeter votre ancien appareil, retirer la porte ou le couvercle de façon à ce que les enfants ne puissent pas se cacher ou être coincés dans l'ancien appareil.

Le non-respect de cette instruction peut causer un décès ou des lésions cérébrales.

PIÈCES ET CARACTÉRISTIQUES



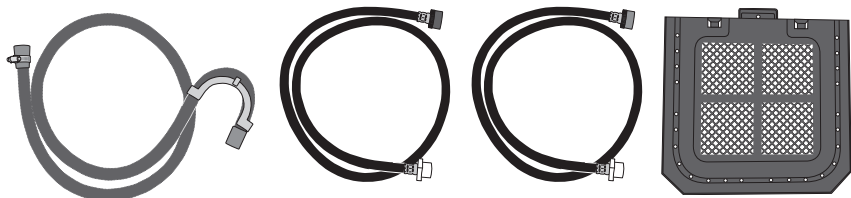
- | | |
|---|---|
| (A) Couvercle supérieur | (I) Panneau d'accès |
| (B) Tableau de commande | (J) Tuyau d'arrivée d'eau froide |
| (C) Caisse | (K) Tuyau d'arrivée d'eau chaude |
| (D) Poignée de la caisse | (L) Panier de lavage |
| (E) Pieds de nivellement (2) | (M) Distributeur de détergent en poudre |
| (F) Distributeur d'eau de Javel | (N) Cerclage de cuve externe |
| (G) Orifice de vidange | (O) Anneau d'équilibrage |
| (H) Cordon d'alimentation électrique
(120 V/60 Hz) | (P) Filtre à charpie |

EXIGENCES D'INSTALLATION

OUTILS NÉCESSAIRES

- Pince
- Clé
- Tournevis à lame plate
- Mètre ruban
- Niveau
- Tournevis Phillips

PIÈCES FOURNIES



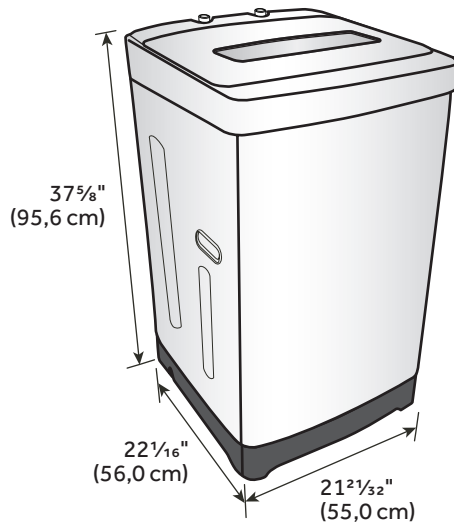
- Bride pour tuyau de vidange
- Crochet de tuyau de vidange
- Tuyau de vidange
- Tuyaux d'admission d'eau (2) (rondelles plates préinstallées)
- Manuel d'utilisation
- Couvercle inférieur (avec vis)

CRITÈRES D'EMPLACEMENT

- La laveuse doit être installée sur un plancher résistant pour réduire les vibrations durant le programme d'essorage. Un plancher en béton est idéal.
- Le plancher doit être de niveau avec une pente maximale de 1" (25 mm) sous l'ensemble de la laveuse.
- L'appareil doit être placé dans un emplacement protégé de la lumière directe du soleil et de sources de chaleur comme des radiateurs, des plinthes électriques ou des appareils de cuisson.
- Ne pas installer sur de la moquette.
- L'emplacement d'installation doit comporter une prise électrique reliée à la terre et située à 4 pi (1,2 m) maximum du cordon d'alimentation à l'arrière de la laveuse.
- Deux robinets d'eau chaude et d'eau froide doivent se situer à 3 pi (0,9 m) maximum des raccordements d'eau chaude et d'eau froide de la laveuse.
- Un chauffe-eau doit fournir une température d'eau chaude d'au moins 120°F (49°C).
- La pression de l'eau doit être comprise entre 20 à 100 lb/po² (138 et 690 kPa).

IMPORTANT : Ne pas installer ou faire fonctionner la laveuse dans un endroit où elle sera exposée à des températures inférieures à 32°F (0°C). De l'eau restée dans la laveuse gèlera et endommagera la laveuse.

DIMENSIONS DE LA LAVEUSE

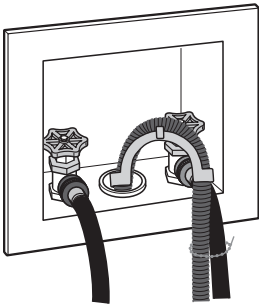


CRITÈRES DU SYSTÈME DE VIDANGE

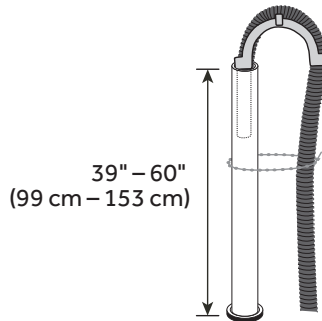
TUYAU RIGIDE DE REJET À L'ÉGOUT AU MUR OU AU PLANCHER

La hauteur du tuyau rigide de rejet à l'égout doit être comprise entre 39" (99 cm) et 60" (153 cm) à partir du bas de la laveuse. Le diamètre du tuyau rigide de rejet à l'égout doit être de 2" (5 cm) minimum.

Mur

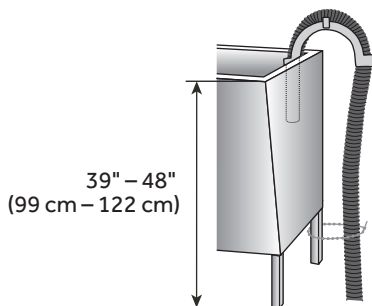


Plancher



ÉVIER DE BUANDERIE

L'évier de buanderie doit avoir une capacité minimale de 20 gal. (76 L). La hauteur de l'évier de buanderie doit être de 39" (99 cm) minimum et de 48" (122 cm) maximum.



SPÉCIFICATIONS ÉLECTRIQUES

⚠ AVERTISSEMENT



Risque de choc électrique

La laveuse doit être branchée à une prise secteur correctement mise à la terre de 120 volts, 60 Hz, CA uniquement, protégée par fusible de 15 ou 20 ampères. Il est recommandé d'utiliser un disjoncteur ou un fusible temporisé.

Le non-respect de ces instructions peut causer un décès, un incendie ou un choc électrique.

- Si l'alimentation électrique fournie ne répond pas aux critères ci-dessus, contacter un électricien agréé.

⚠ AVERTISSEMENT



Risque de choc électrique

Brancher sur une prise à 3 alvéoles reliée à la terre.

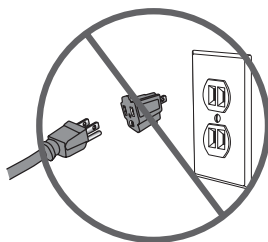
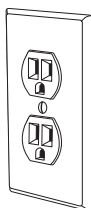
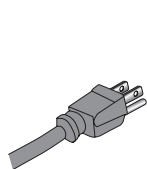
Ne pas enlever la broche de liaison à la terre du cordon d'alimentation.

Ne pas utiliser un adaptateur.

Ne pas utiliser un câble de rallonge.

Le non-respect de cette instruction pourrait causer un décès, un incendie ou un choc électrique.

- Une alimentation de 120 volts, 60 Hz, CA seulement, protégée par fusible de 15 ou 20 A est requise. Il est recommandé d'utiliser un fusible ou disjoncteur temporisé. Il est recommandé de raccorder l'appareil sur un circuit distinct exclusif à cet appareil.
- Cette laveuse comporte un cordon d'alimentation électrique terminé par une prise à 3 broches avec fiche de terre.
- Pour minimiser les risques de choc électrique, on doit brancher le cordon à une prise électrique de configuration correspondante à 3 alvéoles, reliée à la terre et installée conformément aux codes et règlements locaux. En l'absence de prise de courant correspondante disponible, le client a la responsabilité et l'obligation de faire installer par un électricien qualifié une prise électrique correctement reliée à la terre.



- Si les codes le permettent et si l'on utilise un conducteur distinct de liaison à la terre, il est recommandé de faire vérifier la qualité de la liaison à la terre par un électricien qualifié.
- Ne pas établir la liaison à la terre sur une conduite de gaz.
- En cas de doute quant à la qualité de la liaison à la terre de la laveuse, consulter un électricien qualifié.
- Ne pas installer de fusible dans le circuit de neutre ou de terre.

INSTRUCTIONS DE LIAISON À LA TERRE

Pour une laveuse reliée à la terre et connectée par un cordon :

La laveuse doit être reliée à la terre. En cas de dysfonctionnement ou de panne, la liaison à la terre réduit le risque de choc électrique en offrant au courant électrique un chemin de fuite de moindre résistance. La laveuse est dotée d'un cordon électrique comportant un conducteur de mise à la terre de l'appareil et une prise avec liaison à la terre. La prise doit être branchée à un réceptacle approprié, correctement installé et relié à la terre conformément à tous les codes et règlements locaux.

AVERTISSEMENT : Un raccordement inapproprié du conducteur de mise à la terre de l'appareil peut causer un risque de choc électrique.

Vérifier auprès d'un électricien ou technicien qualifié en cas de doute quant à la qualité de la liaison à la terre de la laveuse.

Ne pas modifier la prise fournie avec la laveuse; si elle ne correspond pas au réceptacle, faire installer un réceptacle approprié par un électricien qualifié.

Pour une laveuse raccordée en permanence :

Cette laveuse doit être raccordée à un circuit métallique permanent relié à la terre, ou bien un conducteur de mise à la terre de l'appareil doit être déroulé le long des conducteurs du circuit et raccordé à la borne ou au conducteur de mise à la terre de la laveuse.

INSTRUCTIONS D'INSTALLATION

Nous recommandons que l'installation de votre nouvelle laveuse soit réalisée par un technicien d'appareils électroménagers agréé. Si vous pensez être capable d'installer la laveuse, lire attentivement les instructions d'installation avant de procéder à l'installation.

IMPORTANT :

- Si vous n'êtes pas certain que la laveuse est correctement installée après avoir effectué ces étapes, contacter un technicien d'appareils électroménagers qualifié.
- Si la laveuse vient juste de vous être livrée et que la température extérieure est inférieure au point de congélation, ne pas faire fonctionner la laveuse avant qu'elle n'ait atteint la température ambiante.

ÉTAPE 1 - DÉBALLER LA LAVEUSE

⚠ AVERTISSEMENT



Risque de suffoquer

Afin d'éviter tout risque d'étouffement, conserver le sac en plastique et autres matériaux d'emballage hors de portée des bébés et des enfants. Ne pas utiliser ce sac dans des berceaux, poussettes ou parcs pour enfants. Le sac en plastique peut bloquer les orifices du nez et de la bouche et empêcher la respiration. Ce sac n'est pas un jouet.

Le non-respect de cette instruction peut causer un décès ou des lésions cérébrales.

⚠ AVERTISSEMENT

Risque du poids excessif

Utiliser deux ou plus de personnes pour déplacer et installer la laveuse.

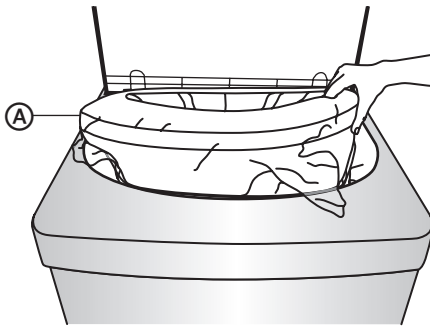
Le non-respect de cette instruction peut causer un décès ou une blessure corporelle.

1. Enlever tous les matériaux d'emballage. Cela comprend : la base en polystyrène, le support en plastique moulé et tous les adhésifs qui maintiennent les accessoires pour laveuse en place, à l'intérieur comme à l'extérieur.

IMPORTANT : Ne pas retirer la base de l'emballage peut nuire au bon fonctionnement de la laveuse et annulera la garantie.

- Ouvrir le couvercle supérieur pour retirer la pièce de fixation du panier de lavage. Tirer sur la pièce de fixation pour la retirer.

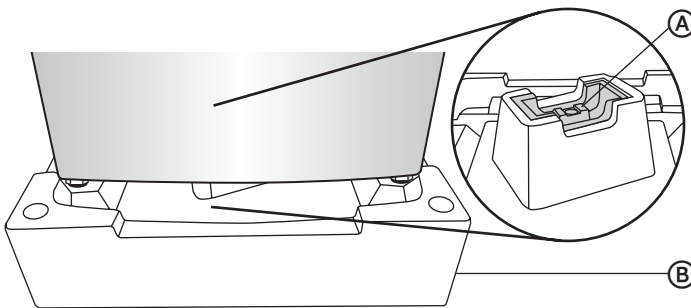
REMARQUE : Conserver la pièce de fixation du panier de lavage pour pouvoir la réutiliser en cas de déplacement ultérieur de la laveuse.



Ⓐ Pièce de fixation du panier de lavage

- À l'aide de deux personnes ou plus, soulever la laveuse pour la dégager de la base de l'emballage et du support en plastique moulé.

REMARQUE : Il est possible que le support en plastique, situé sous le support en U, reste attaché au bas de la laveuse. S'assurer de le retirer avec la base en polystyrène.



Ⓐ Support en plastique
Ⓑ Base en polystyrène

2. Inspecter la laveuse et retirer tout film protecteur, ruban adhésif ou emballage restant sur l'appareil avant de l'utiliser.
3. Jeter/recycler tous les matériaux d'emballage de manière appropriée.

ÉTAPE 2 - INSTALLATION DU COUVERCLE INFÉRIEUR

⚠ AVERTISSEMENT



Risque de choc électrique

Installer le couvercle inférieur.

Verrouiller les quatre roulettes avant de mettre la laveuse en marche.

Le non-respect de cette instruction peut causer un décès, un choc électrique ou des blessures graves.

⚠ AVERTISSEMENT



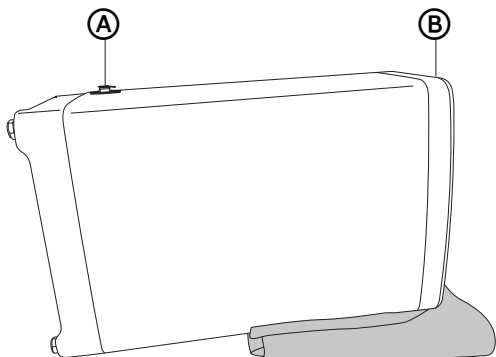
Risque de choc électrique

Déconnecter la source de courant électrique avant l'entretien.

Replacer tous les panneaux avant de faire la remise en marche.

Le non-respect de ces instructions peut causer un décès ou un choc électrique.

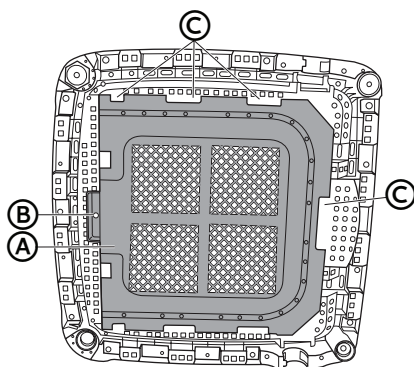
1. Étaler des couvertures ou des serviettes pliées sur le sol pour créer une inclinaison.
2. À l'aide de deux personnes au minimum, coucher la laveuse sur le côté de manière à ce que le sommet de la laveuse soit plus élevé que son socle, et que l'orifice de sortie de vidange soit orienté vers le haut.



- (A) Orifice de sortie de vidange
- (B) Dessus de la laveuse

3. Le côté du couvercle inférieur portant l'inscription FRONT/UP (avant/haut) orienté vers l'intérieur et l'avant de la laveuse, aligner les bords du couvercle avec les marques au bas de la laveuse.
4. Depuis l'avant de la laveuse, faire complètement glisser le couvercle dans les rails en s'assurant que les bords du couvercle se trouvent derrière les onglets.

REMARQUE : Lorsque le couvercle est entièrement engagé dans les rails derrière les onglets, le trou des vis sera en affleurement et aligné avec les trous au bas de la caisse.

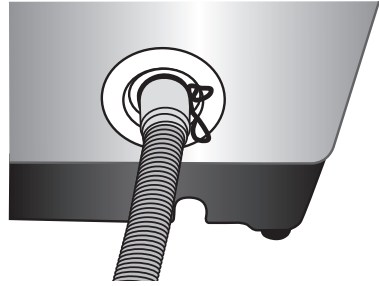


- (A) Couvercle inférieur
- (B) Trou de vis
- (C) Onglets

5. Fixer le couvercle inférieur sur le socle de la caisse à l'aide de la vis fournie.
6. À l'aide de deux personnes au minimum, mettre la laveuse en position verticale.

ÉTAPE 3 - RACCORDEMENT ET IMMOBILISATION DU TUYAU DE VIDANGE

1. Élargir l'ouverture en serrant les extrémités de la bride du tuyau de vidange l'une contre l'autre. Faire glisser la bride sur l'extrémité du tuyau de vidange, sur la partie flexible du tuyau.
2. Placer l'extrémité du tuyau de vidange sur l'orifice de vidange en plastique qui dépasse de la laveuse.
3. Appuyer sur les extrémités de la bride pour élargir l'ouverture et faire glisser la bride sur la connexion du tuyau de vidange et de l'orifice de vidange. Relâcher la bride pour serrer.
4. Placer l'extrémité crochetée du tuyau de vidange dans le conduit d'évacuation ou l'évier de buanderie.
5. Fixer le tuyau de vidange à un tuyau d'eau, au tuyau rigide de rejet à l'égout ou à l'un des pieds de l'évier de buanderie pour le maintenir en place. Voir "Critères du système de vidange" pour des illustrations.



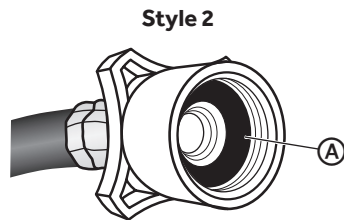
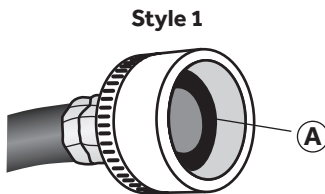
ÉTAPE 4 - RACCORDEMENT DES TUYAUX D'ADMISSION D'EAU

Selon le modèle, les tuyaux flexibles d'arrivée d'eau sont de **Style 1** ou de **Style 2**. Suivre les instructions correspondant au style des tuyaux flexibles fournis.

IMPORTANT : Utiliser uniquement un tuyau neuf pour installer la laveuse. Les tuyaux flexibles d'arrivée d'eau doivent posséder des raccords filetés à gros pas à une extrémité (pour raccorder l'arrivée d'eau du domicile), et des raccords filetés à pas fin à l'autre extrémité (pour raccorder la laveuse).

REMARQUE : Inspecter périodiquement les tuyaux pour pouvoir détecter toute coupure, usure ou fuite éventuelle. Remplacer les tuyaux et installer des tuyaux neufs tous les 5 ans environ.

1. Vérifier qu'une nouvelle rondelle plate est bien installée dans chaque extrémité des tuyaux d'arrivée d'eau. Des rondelles plates ont été préinstallées à l'usine.

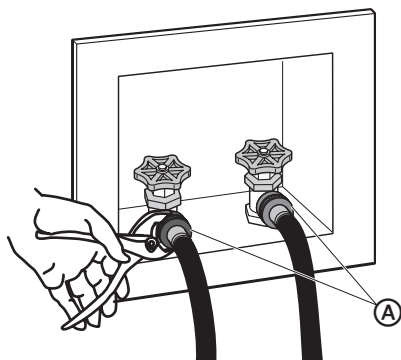


(A) Rondelle

2. Enfiler à la main l'extrémité blanche du robinet d'arrivée d'eau sur la valve d'arrivée d'eau à l'arrière de la laveuse jusqu'à ce fermement serrés à la main.

IMPORTANT : Pour éviter d'endommager les raccords de tuyau, ne pas serrer excessivement.

REMARQUE : Afin d'éviter d'endommager les robinets, ne pas utiliser de ruban adhésif pour tuyauteries ou de produits d'étanchéité sur le filetage des valves.



(A) Extrémité grise uniquement

3. Enfiler à la main l'autre extrémité des robinets d'arrivée d'eau sur les valves d'arrivée d'eau portant les mentions "H" (eau chaude) et "C" (eau froide) à l'arrière de la laveuse jusqu'à ce qu'ils soient serrés.

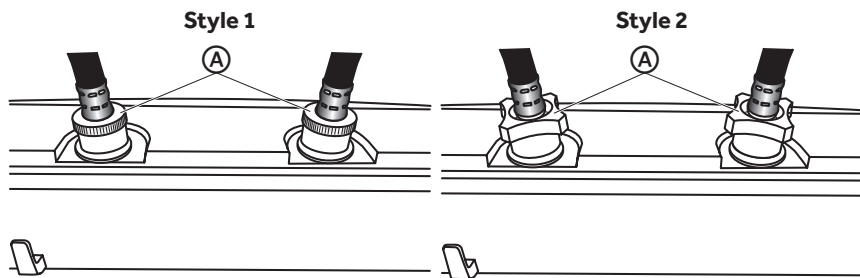
IMPORTANT :

- Ne pas raccorder l'extrémité grise du tuyau flexible d'arrivée à la laveuse, sans quoi des fuites apparaîtront du fait du filetage endommagé.
- Pour éviter d'endommager le raccord de tuyau, ne pas serrer excessivement.

Style 1 - Serrer le raccord de deux tiers de tour supplémentaires avec une pince.

Style 2 - Ne pas serrer le raccord avec une pince.

REMARQUE : Afin d'éviter d'endommager les valves d'arrivée d'eau de la laveuse, ne pas utiliser de ruban adhésif pour tuyauteries ou de produits d'étanchéité sur le filetage des valves.



(A) Extrémité blanche uniquement

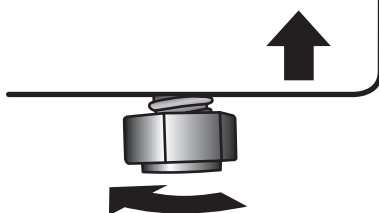
4. Ouvrir les robinets d'eau chaude et d'eau froide et vérifier l'absence de fuites. En cas de fuite, vérifier que les étapes 1 à 3 ont bien été suivies.

ÉTAPE 5 - NIVELLEMENT DE LA LAVEUSE

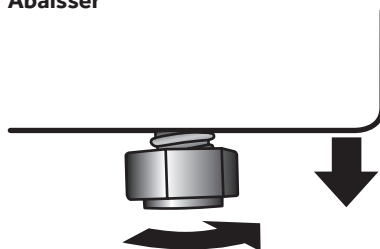
IMPORTANT : Un bon aplomb de la laveuse permet de réduire les vibrations et bruits éventuels.

1. Placer la laveuse à son emplacement final. Vérifier que les canalisations d'eau et de vidange de la laveuse ne sont pas tendues ou écrasées. Vérifier que les quatre pieds sont en contact ferme avec le plancher et que la laveuse repose solidement dessus.
2. Avec un niveau, vérifier que la laveuse est d'aplomb transversalement et d'avant en arrière.
3. Si la laveuse n'est pas d'aplomb, ajuster les pieds de nivellement. Tourner les pieds dans le sens horaire pour les déployer (et relever la laveuse) ou antihoraire pour les rétracter (et abaisser la laveuse).

Relever



Abaisser



ÉTAPE 6 - FIN DE L'INSTALLATION

⚠ AVERTISSEMENT



Risque de choc électrique

Brancher sur une prise à 3 alvéoles reliée à la terre.

Ne pas enlever la broche de liaison à la terre du cordon d'alimentation.

Ne pas utiliser un adaptateur.

Ne pas utiliser un câble de rallonge.

Le non-respect de cette instruction pourrait causer un décès, un incendie ou un choc électrique.

1. Brancher la laveuse dans une prise de courant à 3 alvéoles, reliée à la terre.
2. Vérifier que les robinets d'arrivée d'eau sont ouverts.
3. Éliminer/recycler tous les matériaux d'emballage.
4. Effectuer un programme de lavage normal avec un détergent pour tester et nettoyer la laveuse. Voir la section "Instructions d'utilisation".

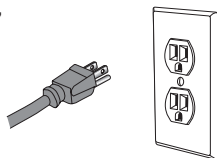
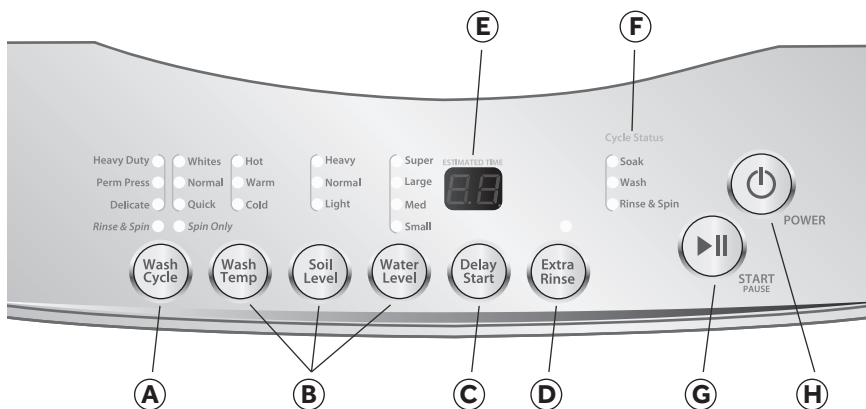


TABLEAU DE COMMANDE ET FONCTIONS

TABLEAU DE COMMANDE



A BOUTON WASH CYCLE (PROGRAMME DE LAVAGE)

- Utiliser ce bouton pour sélectionner le programme désiré pour votre charge de lavage.
- Les réglages par défaut correspondant à chaque programme s'affichent ; les réglages par défaut peuvent être modifiés en utilisant les boutons de réglage – Wash Temp (température de lavage), Soil Level (niveau de saleté) et Water Level (niveau d'eau).
- L'utilisateur peut choisir parmi 8 programmes :

Heavy Duty (service intense) – Utiliser ce programme pour les vêtements résistants très sales. On peut utiliser ce programme pour les serviettes, les équipements de sport, les vêtements d'enfants, etc.

Whites (blancs) – Utiliser ce programme à eau chaude pour les articles blancs ou de couleur claire susceptibles de déteindre.

Perm Press (pressage permanent) – Utiliser ce programme pour les vêtements présentant un degré de saleté léger ou normal.

Normal – Utiliser ce programme pour les articles en coton et les charges de tissus mixtes présentant un degré de saleté normal.

Delicate (articles délicats) – Utiliser ce programme pour laver les articles peu sales et les vêtements délicats nécessitant un lavage en douceur.

Quick (rapide) – Utiliser ce programme pour laver de petites charges peu sales dont on a besoin rapidement.

Rinse & Spin (rinçage et essorage) – Utiliser ce programme pour éliminer l'excès de détergent et rafraîchir des vêtements propres.

Spin Only (essorage uniquement) – Utiliser ce programme pour éliminer l'eau restée dans des vêtements lavés à la main ou qui sont propres et mouillés.

B BOUTONS DE RÉGLAGE

Bouton Wash Temp (température de lavage)

- Utiliser ce bouton pour choisir une température de lavage ; tous les rinçages utilisent de l'eau froide. Pour des résultats optimaux, suivre les instructions figurant sur l'étiquette des vêtements et utiliser la température d'eau de lavage la plus élevée possible ne présentant pas de danger pour le tissu.
- Les options ne sont pas toutes disponibles pour tous les programmes.

Bouton Soil Level (niveau de saleté)

- Utiliser ce bouton pour sélectionner le niveau de saleté qui correspond le mieux à la charge. En fonction du niveau de saleté, la durée de lavage augmentera ou diminuera par tranches de 4 à 8 minutes sur l'affichage de durée résiduelle estimée.
- On peut choisir parmi 3 niveaux de saleté – Heavy (très sale), Normal, Light (peu sale)

Bouton Water Level (niveau d'eau)

- Utiliser ce bouton pour choisir le niveau d'eau adapté à la charge. Small (bas) est le niveau d'eau le plus faible et Super est le plus élevé.

C BOUTON DELAY START (MISE EN MARCHÉ DIFFÉRÉE)

- Appuyer sur ce bouton pour différer le démarrage de votre programme de lavage de 1 à 24 heures par tranches d'une heure.
- Utiliser ce bouton pour choisir un départ différé de la laveuse. Le nombre d'heures de décalage sera affiché sur l'affichage de durée résiduelle estimée. Chaque pression sur le bouton Delay Start (mise en marche différée) diffèrera la mise en marche d'une heure supplémentaire.
- Pour annuler la fonction de mise en marche différée, appuyer une fois de plus sur le bouton lorsque l'affichage indique 24. L'utilisateur peut également annuler la fonction mise en marche différée en mettant hors tension la laveuse au moyen du bouton Power (mise sous tension).
- Il faut appuyer sur le bouton Start/Pause (mise en marche/pause) pour lancer le compte à rebours.

D BOUTON EXTRA RINSE (RINÇAGE SUPPLÉMENTAIRE)

- Appuyer sur ce bouton pour ajouter un rinçage supplémentaire au programme de lavage.

REMARQUE : Avec certains programmes, cette option est activée par défaut. Voir le Guide des programmes pour plus de détails.

E AFFICHAGE DE DURÉE RÉSIDUELLE ESTIMÉE

- L'affichage de durée résiduelle estimée indique la durée de programme estimée en minutes.
- Quand l'option Delay Start (mise en marche différée) est utilisée, l'affichage de durée résiduelle estimée indiquera la durée du délai choisi en heures.

F TÉMOINS LUMINEUX DE PROGRAMME

- Les témoins lumineux de programme indiquent les étapes du programme sélectionné.

G BOUTON START/PAUSE (MISE EN MARCHÉ/PAUSE)

- Appuyer sur ce bouton pour démarrer un programme sélectionné ou suspendre un programme en cours.

REMARQUE : Une fois un programme de lavage lancé, le programme en cours doit être suspendu si l'on souhaite modifier les réglages Wash Temp (température de lavage), Soil Level (niveau de saleté) et Water Level (niveau d'eau).

H BOUTON POWER (MISE SOUS TENSION)

IMPORTANT : Éteindre l'appareil en utilisant le bouton Power (mise sous tension) ne débranche pas l'appareil de l'alimentation électrique.

- Appuyer sur ce bouton pour mettre sous tension la laveuse.

REMARQUE : Si la laveuse est sous tension et que l'on n'appuie pas sur le bouton START (mise en marche), elle s'éteint automatiquement au bout de 5 minutes.

GUIDE DES PROGRAMMES

REMARQUE : Pour protéger la charge de lavage, tous les options et réglages ne sont pas disponibles pour tous les programmes. Les cases grisées indiquent les réglages par défaut correspondant à chaque programme.

PRO-GRAMME	TYPE DE TISSU	PRO-CESSUS DE LAVAGE	DURÉE ESTI-MÉE	TEMPÉ-RATURE DE LAVAGE	NIVEAU DE SALETÉ	NIVEAU D'EAU	RINÇAGE SUPPLÉ-MEN-TAIRE
Heavy Duty (service intense)	Tissus résistants grand teint très sales	12 min de trempage 25 min de lavage Rinçage Essorage	1:08	Warm (tiède)	Normal	Medium (moyen)	•
				Hot (chaud) Cold (froid)	Heavy (très sale) Light (peu sale)	Super Large (élevé) Small (bas)	

PRO-GRAMME	TYPE DE TISSU	PRO-CESSUS DE LAVAGE	DURÉE ESTI-MÉE	TEMPÉ-RATURE DE LAVAGE	NIVEAU DE SALETÉ	NIVEAU D'EAU	RINÇAGE SUPPLÉ-MEN-TAIRE
Whites (blancs)	Vête-ments blancs	12 min de trempage 25 min de lavage Rinçage Essorage	1:15	Hot (chaud)	Normal	Medium (moyen)	•
				Warm (tiède) Cold (froid)	Heavy (très sale) Light	Super Large (élevé) Small (bas)	
Perm Press (pressage permanent)	Tissus infrois-sables et synthé-tiques	16 min de lavage Rinçage Essorage	:35	Warm (tiède)	Normal	Medium (moyen)	•
				Cold (froid)	Heavy (très sale) Light (peu sale)	Super Large (élevé) Small (bas)	
Normal	Articles en coton, linge de maison et charges mixtes	16 min de lavage Rinçage par vapori-sation Essorage	:40	Warm (tiède)	Normal	Medium (moyen)	•
				Hot (chaud) Cold (froid)	Heavy (très sale) Light (peu sale)	Super Large (élevé) Small (bas)	
Delicate (articles délicats)	Lingerie, tissus trans-parents avec orne-ments en dentelle	10 min de lavage Rinçage Essorage	:29	Warm (tiède)	Normal	Medium (moyen)	•
				Cold (froid)	Heavy (très sale) Light (peu sale)	Super Large (élevé) Small (bas)	
Quick (rapide)	Articles en coton, linge de maison et charges mixtes	9 min de lavage Rinçage Essorage	:23	Warm (tiède)	Normal	Medium (moyen)	•
				Hot (chaud) Cold (froid)	Heavy (très sale) Light (peu sale)	Super Large (élevé) Small (bas)	

PRO-GRAMME	TYPE DE TISSU	PRO-CESSUS DE LAVAGE	DURÉE ESTI-MÉE	TEMPÉ-RATURE DE LAVAGE	NIVEAU DE SALETÉ	NIVEAU D'EAU	RINÇAGE SUPPLÉ-MEN-TAIRE
Rinse & Spin (rinçage et essorage)	Vête-ments propres	Rinçage Essorage	:17	Cold (froid) seule-ment	n/a	Medium (moyen)	•
						Super Large (élevé) Small (bas)	
Spin Only (esso-rage seule-ment)	Vête-ments propres encore mouillés	Essorage	:06	n/a	n/a	n/a	

- Le rinçage supplémentaire allonge le programme d'environ 7 minutes.

UTILISER LA LAVEUSE

ÉTAPE 1 - PRÉPARATION ET TRI DU LINGE

PRÉPARATION DU LINGE

- Consulter les étiquettes de vêtement du fabricant pour les instructions de lavage.
- Vider les poches et les retourner.
- Retirer tout objet pouvant culbuter (épingles, pinces à cheveux, pièces de monnaie, bagues, boucles d'oreilles, mouchoirs en papier, etc.) des vêtements pour éviter d'érafler le panier de lavage ou d'obstruer la pompe de vidange.
- Déplier les revers et enlever la charpie ou la poussière.
- Attacher les ceintures et les cordons pour qu'ils ne s'emmêlent pas.
- Fermer les fermetures à glissière, les boutons pression et les crochets afin qu'ils ne s'accrochent pas à d'autres articles.
- Prétraiter toutes les taches et zones très sales.
- Retourner les tricotés synthétiques et les lainages pour éviter le boulochage.

TRI DU LINGE

- Trier le linge en fonction du type de programme de lavage nécessaire (température de l'eau et action de lavage).
- Séparer les couleurs foncées des couleurs claires et les articles grand teint des articles qui déteignent.
- Séparer les tissus lourds et les tissus légers.
- Séparer les tissus qui retiennent la charpie de ceux qui la forment.
- Séparer les articles volumineux tels que les couvertures ou les oreillers.

ÉTAPE 2 - AJOUT DE PRODUITS DE SOIN DES TISSUS

AJOUT DE DÉTERGENT

- Utiliser uniquement un détergent Haute efficacité. Les détergents HE sont spécialement formulés avec des composants qui évitent les problèmes causés par une production excessive de mousse. Une production excessive de mousse empêchera l'élimination complète du détergent des vêtements.
- Si on choisit le programme Quick (rapide), il est recommandé d'utiliser un détergent de lessive liquide pour obtenir des résultats optimaux. Un détergent en poudre peut ne pas se dissoudre assez rapidement pour bien nettoyer avec ce programme.
- Déterminer la quantité de détergent. Suivre les instructions d'utilisation du détergent figurant sur le récipient.



REMARQUE : La quantité de détergent nécessaire dépend du volume de la charge, du niveau de saleté des vêtements et de la dureté de l'eau qui alimente la laveuse.

Détergent liquide

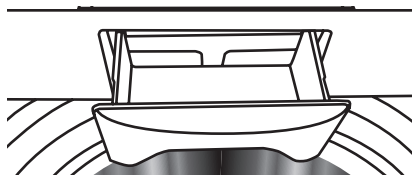
1. Verser une petite quantité d'eau dans la laveuse et ajouter le détergent liquide.

REMARQUE : Pour de meilleurs résultats, ajouter le détergent dans le panier de lavage avant d'y placer la charge de linge.

2. Faire fonctionner la laveuse pendant 30 secondes pour dissoudre complètement le détergent.

Détergent en poudre

1. Verser le détergent en poudre directement dans le distributeur prévu à cet effet.

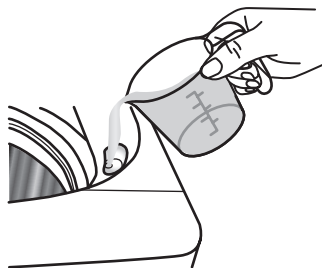


AJOUT D'AGENT DE BLANCHIMENT (SI DÉSIRÉ)

- Verser la mesure d'eau de Javel dans le distributeur d'eau de Javel.

REMARQUE : Utiliser uniquement de l'agent de blanchiment liquide dans ce distributeur.

IMPORTANT : Veiller à ne pas renverser d'agent de blanchiment non dilué sur la caisse de la laveuse ou sur les vêtements. Un agent de blanchiment est un produit chimique puissant qui peut endommager les vêtements ou le revêtement de la laveuse.



- Suivre les directives du fabricant sur les étiquettes de soin du tissu concernant les modalités d'utilisation recommandées pour un agent de blanchiment liquide ou en poudre.

ÉTAPE 3 - CHARGEMENT DE LA LAVEUSE

1. Charger les vêtements sans les tasser et de façon uniforme le long de la paroi du panier de lavage.
2. Ne pas placer les vêtements directement sur le centre du pulsateur.
3. Rabattre le couvercle de la laveuse.

REMARQUES :

- Ne pas surcharger les articles ni les tasser dans le panier de lavage. La surcharge peut réduire l'efficacité du lavage, causer une usure excessive et dans certains cas, entraîner la formation de plis ou le froissement de la charge.
- La laveuse n'effectue ni agitation, ni essorage lorsque le couvercle est ouvert.

ÉTAPE 4 - MISE EN MARCHÉ DE LA LAVEUSE

1. Appuyer sur le bouton POWER (mise sous tension) pour mettre la laveuse sous tension.
2. Sélectionner un programme de lavage.
3. Si désiré, modifier les réglages par défauts et options.
4. Appuyer sur le bouton START/PAUSE (mise en marche/pause) pour démarrer le programme de lavage.

GUIDE D'ENTRETIEN ET DE NETTOYAGE

⚠ AVERTISSEMENT



Risque de choc électrique

Déconnecter la source de courant électrique avant le nettoyage.

Le non-respect de cette instruction peut causer un décès ou un choc électrique.

- Débrancher ou déconnecter la source de courant électrique.

NETTOYAGE ET ENTRETIEN

GÉNÉRAL

- Utiliser uniquement un chiffon mouillé ou trempé d'eau savonneuse pour nettoyer le tableau de commande.

- Si l'on renverse de l'assouplissant pour tissu, de l'agent de blanchiment ou du détergent liquide/en poudre sur la caisse, essuyer immédiatement la caisse pour éviter d'endommager le revêtement.
- Ne pas utiliser de nettoyeurs abrasifs, de produits chimiques puissants, d'ammoniaque, d'agent de blanchiment au chlore, de détergent concentré ou de solvants pour nettoyer la laveuse. Ces produits chimiques peuvent dissoudre, endommager ou décolorer la laveuse.
- Après avoir lavé des vêtements, laisser le couvercle ouvert pour que l'humidité à l'intérieur de la machine puisse s'évaporer et pour empêcher l'apparition de moisissure.

DISTRIBUTEUR DE DÉTERGENT

1. Tirer le tiroir du distributeur jusqu'à la butée et le soulever légèrement pour le retirer.
2. Rincer le distributeur à l'eau tiède et le sécher parfaitement avec un chiffon doux.
3. Insérer le tiroir en l'inclinant légèrement vers le bas et le remettre en place.

FILTRE À CHARPIE

1. Appuyer sur l'onglet de la partie supérieure du filtre pour dégager le filtre du panier de lavage.
2. Faire pivoter le filtre sur lui-même afin que la partie arrière du filtre soit orientée vers le haut.
3. Tout en tenant le filtre fermement d'une main, soulever la base du filtre pour séparer l'avant de l'arrière du filtre, afin de pouvoir accéder au tamis du filtre.
4. Nettoyer le tamis du filtre et replacer l'arrière du filtre.
5. Faire glisser le filtre dans le panier de lavage et appuyer fermement pour le remettre en place.



IMPORTANT: Les deux filtres à charpie doivent être en place pendant les programmes de lavage. Nettoyer les tamis de filtre après chaque charge de lavage.

- Brancher l'appareil ou reconnecter la source de courant électrique.

PRÉCAUTIONS À PRENDRE AVANT UN DÉPART

- Fermer les robinets d'alimentation en eau. Ceci permettra d'éviter d'endommager votre domicile en cas de rupture ou de fuite des tuyaux.
- Débrancher la laveuse de la prise de courant électrique.
- Sécher le panier de lavage.
- Laisser le couvercle ouvert pour que l'humidité à l'intérieur de la machine puisse s'évaporer et pour empêcher l'apparition de moisissure.

PRÉPARATION AVANT UN DÉMÉNAGEMENT OU UN ENTREPOSAGE

Effectuer les étapes suivantes en complément des "Précautions à prendre avant un départ".

- Débrancher ou déconnecter la source de courant électrique.
- Déconnecter les tuyaux d'arrivée d'eau et le tuyau de vidange et les placer dans le panier de lavage.
- Tourner les pieds de nivellement de façon à ce qu'ils soient complètement rétractés dans la caisse de la laveuse.
- Si l'on doit déplacer la laveuse, replacer la pièce de protection du panier de lavage des matériaux d'emballage d'origine dans le sommet de l'ouverture de la laveuse. Utiliser du ruban de masquage pour fixer le couvercle de la laveuse.
- Déplacer et entreposer la laveuse uniquement en position verticale.
- Ne pas entreposer la laveuse dans un environnement froid où la température descendra en dessous du point de congélation; l'entreposer à température ambiante.

RÉINSTALLATION/RÉUTILISATION DE LA LAVEUSE

AVERTISSEMENT



Risque de choc électrique

Brancher sur une prise à 3 alvéoles reliée à la terre.

Ne pas enlever la broche de liaison à la terre du cordon d'alimentation.

Ne pas utiliser un adaptateur.

Ne pas utiliser un câble de rallonge.

Le non-respect de cette instruction pourrait causer un décès, un incendie ou un choc électrique.

Pour réinstaller la laveuse en cas de non-utilisation, d'entreposage pour l'hiver, de déménagement ou en période de vacances :

1. Consulter les instructions d'installation pour choisir l'emplacement, régler l'aplomb de la laveuse et la raccorder.
2. Avant de réutiliser la laveuse, exécuter la procédure recommandée suivante :

Remise en marche de la laveuse :

1. Vidanger les canalisations d'eau et les tuyaux. Reconnecter les tuyaux d'arrivée d'eau. Ouvrir les deux robinets d'eau.
2. Brancher la laveuse ou reconnecter la source de courant électrique.

3. Faire exécuter à la laveuse le programme Wash (lavage) pour nettoyer la laveuse et éliminer l'antigel, le cas échéant.

REMARQUE : Utiliser uniquement du détergent HE Haute efficacité. Utiliser la moitié de la quantité recommandée par le fabricant pour une charge de taille moyenne.

DÉPANNAGE

Essayez tout d'abord les solutions suggérées ici et évitez les coûts pour le service de réparation.

FONCTIONNEMENT

PROBLÈME	CAUSE(S) POSSIBLE(S)	SOLUTION
La laveuse ne fonctionne pas	La laveuse n'est pas alimentée.	Brancher le cordon d'alimentation dans une prise à 3 alvéoles reliée à la terre.
	Le disjoncteur s'est enclenché ou le fusible est grillé.	Réenclencher le disjoncteur ou remplacer le fusible.
	La laveuse est surchargée ou la charge à laver n'est pas équilibrée.	Il est peut-être nécessaire de retirer le linge ou de le redistribuer pour ré-équilibrer la charge.
	Le programme Delicate (délicat) a été sélectionné.	La laveuse s'interrompt pendant certains programmes pour laisser tremper le linge. Une fois la période de trempage écoulée, la laveuse se remet automatiquement en marche.
	Le couvercle de la laveuse est ouvert.	Fermer le couvercle de la laveuse.
Le couvercle de la laveuse ne s'ouvre pas	Le couvercle de la laveuse est verrouillé.	Appuyer sur Start/Pause (mise en marche/pause) pour interrompre la laveuse. Le verrou du couvercle peut mettre un moment pour se désengager.

EAU

PROBLÈME	CAUSE(S) POSSIBLE(S)	SOLUTION
Le débit est lent ou le remplissage prend du temps	Les robinets d'alimentation en eau ne sont pas complètement ouverts.	S'assurer que les robinets sont complètement ouverts.
	Le tuyau de remplissage d'eau est déformé.	S'assurer que les tuyaux ne sont ni emmêlés, ni écrasés, ni tordus.

PROBLÈME	CAUSE(S) POSSIBLE(S)	SOLUTION
La température de l'eau est trop chaude ou trop froide	La température du chauffe-eau n'a pas été réglée correctement.	L'eau chaude doit être réglée à une température d'au moins 120°F - 140°F (49°C - 60°C).
	Les tuyaux d'arrivée d'eau n'ont pas été raccordés correctement.	Vérifier que les tuyaux d'arrivée d'eau sont correctement raccordés (eau chaude avec eau chaude et eau froide avec eau froide).
Fuites d'eau	Les raccords du tuyau de remplissage d'eau ne sont pas serrés	Vérifier que les raccords du tuyau d'arrivée d'eau au niveau du robinet et de la laveuse sont bien serrés.
	Le raccord du tuyau de vidange n'est pas fixé en place ou le tuyau n'est pas correctement positionné sur l'orifice de vidange.	Vérifier que le raccordement du tuyau de vidange à la laveuse est solide et que le tuyau de vidange est correctement placé au niveau de l'évacuation.
	Fuites d'eau indéterminées	Contactez un plombier qualifié.
L'eau ne se vide pas de la laveuse	Le tuyau d'évacuation n'est pas correctement raccordé à la laveuse.	Raccorder le tuyau de vidange à la laveuse.
	Le tuyau de vidange n'est pas positionné correctement.	Pour que la vidange puisse s'effectuer correctement, le sommet de l'orifice d'évacuation doit se trouver à au moins 39" (99 cm) au-dessus du plancher.
	L'évier ou le conduit d'évacuation est obstrué.	Retirer ce qui bloque l'évier ou le conduit d'évacuation.

BRUIT

PROBLÈME	CAUSE(S) POSSIBLE(S)	SOLUTION
Bruit saccadé	La charge de lavage est peut-être déséquilibrée.	Suspendre le programme de la laveuse et ré-agencer les articles dans le panier de lavage.
Cliquetis ou sons métalliques	Des objets étrangers se trouvent peut-être dans la laveuse.	Interrompre la laveuse et chercher des clés ou des pièces de monnaie.
Grincement	La laveuse est peut-être surchargée.	Arrêter la laveuse et retirer une partie de la charge de lavage.
Vibration	La laveuse n'est peut-être pas d'aplomb.	Vérifier que les 4 pieds sont en contact ferme avec le plancher et que la laveuse est d'aplomb.

VÊTEMENTS

PROBLÈME	CAUSE(S) POSSIBLE(S)	SOLUTION
Froissement	La charge de lavage n'a pas été triée correctement, est trop importante ou n'a pas été lavée à la bonne température.	Éviter de surcharger la laveuse et ne pas mélanger de vêtements lourds avec des articles légers ou délicats.
Résidus de détergent	Il est possible que le détergent ne se dissolve pas complètement dans une eau de lavage très froide.	Choisir une eau de lavage tiède et vérifier que l'eau chaude provenant du chauffe-eau du domicile atteint une température d'au moins 120°F (49°C).
Les vêtements ressortent grisâtres ou jaunis	La charge de lavage n'a pas été triée selon les couleurs.	Séparer les couleurs foncées des couleurs claires et articles blancs afin d'éviter tout transfert de teinture.
	Quantité de détergent utilisée insuffisante, ou niveau de saleté de la charge de lavage nécessitant une température de lavage plus chaude.	Les articles de grande taille ou très sales peuvent nécessiter plus de détergent et une eau de lavage plus chaude. Suivre les instructions du fabricant concernant les modalités d'utilisation recommandées pour le détergent.
Les vêtements sont déchirés ou accrochés	La charge de lavage n'a pas été préparée pour la lessive.	Nouer les ficelles et les ceintures. Vider les poches, fermer les ceintures et fermetures à glissière, les bouton-pression métalliques et agrafes avant de charger les vêtements.
Taches de décoloration REMARQUE : Des taches de décoloration peuvent prendre la forme de taches de couleur plus claire.	La lessive est en contact direct avec l'agent de blanchiment.	Ne pas verser ni projeter ou faire éclabousser de l'agent de blanchiment directement sur les vêtements. Si l'on utilise le distributeur et que l'on remarque tout de même des taches, essayer d'utiliser de l'agent de blanchiment dilué.
Vêtements d'apparence vieille et usée	Mauvais programme de lavage ou mauvaise température de lavage.	Suivre les instructions du fabricant concernant l'entretien des vêtements.

POUR OBTENIR DE L'AIDE SUPPLÉMENTAIRE, VISITER HAIER.COM OU CONTACTER LA LIGNE D'ASSISTANCE À LA CLIENTÈLE AU 1-877-377-3639.

GARANTIE LIMITÉE

SERVICE À DOMICILE GARANTIE COMPLÈTE DE UN AN

Pendant 12 mois à compter de la date d'achat d'origine, Haier réparera ou remplacera gratuitement n'importe quelle pièce (main-d'œuvre comprise) comportant un défaut de matériau ou de fabrication.

Haier peut choisir à sa seule discrétion de remplacer ou réparer des pièces, des sous-systèmes ou le produit tout entier.

Le produit doit être accessible, dégagé et installé correctement pour bénéficier du service de réparation sous garantie.

GARANTIE LIMITÉE

Au-delà d'un an après la date d'achat d'origine, Haier fournira gratuitement une pièce (tel qu'indiqué ci-dessous) pour remplacer ladite pièce suite à un défaut de matériau ou de fabrication. Haier assume l'entière responsabilité du coût de cette pièce. Tout autre coût, tels les frais de main-d'œuvre, de déplacement, etc, sont à la charge du propriétaire.

De la deuxième à la cinquième année

Dans l'éventualité où une pièce venait à ne pas retenir l'eau, Haier fournira la cuve de lavage externe et les pièces d'assemblage de cuve externe associées.

De la deuxième à la septième année

Haier fournira le panier de lavage en acier inoxydable si celui-ci présente un défaut de matériau ou de fabrication.

REMARQUE : Cette garantie prend effet à la date à laquelle l'article a été acheté et le reçu de l'achat d'origine doit être présenté au représentant de dépannage autorisé avant qu'une quelconque réparation sous garantie ne soit effectuée.

Exceptions : Garantie pour usage de location

90 jours sur la main-d'œuvre à compter de la date d'achat d'origine

90 jours sur les pièces à compter de la date d'achat d'origine

Aucune autre garantie ne s'applique.

SERVICE AU TITRE DE LA GARANTIE

Contactez le centre de dépannage autorisé le plus proche. Tout dépannage doit être effectué par un centre de dépannage autorisé Haier. Pour le nom et le numéro de téléphone du centre de dépannage autorisé le plus proche de votre domicile, composer le 1-877-337-3639.

Avant d'appeler le centre, veuillez garder à disposition les renseignements suivants :

Numéros de plaque signalétique de l'appareil. Le nom et l'adresse du revendeur auprès duquel vous avez acheté l'appareil, ainsi que la date d'achat.

Une description claire du problème rencontré. Une preuve d'achat (reçu de vente).

58

Cette garantie est valable pour le service des appareils domestiques aux États-Unis contigus et au Canada et lorsque le service est disponible, en Alaska, à Hawaï et Porto Rico.

Cette garantie ne couvre pas :

Le remplacement ou la réparation des fusibles, disjoncteurs, du câblage ou du circuit de plomberie du domicile.

Un produit dont le numéro de série d'origine a été enlevé ou modifié.

Tous frais de dépannage non identifiés comme étant normaux tel un dépannage dans une zone ou une tranche horaire normale. Vêtements endommagés.

Les dommages liés à l'expédition.

Les dommages liés à une installation ou un entretien inadapté.

Les dommages causés par l'un des éléments suivants : Mauvaise utilisation, utilisation abusive, accident, incendie ou catastrophe naturelle.

Les dommages résultant d'un dépannage fourni par une entité autre qu'un revendeur ou centre de dépannage autorisé Haier.

Les dommages causés par un courant, une tension ou une alimentation électrique incorrects.

Les dommages résultant d'une quelconque modification ou altération du produit ou d'un ajustement non autorisé par Haier.

Un ajustement des commandes utilisées par le consommateur tel qu'identifié dans le manuel de l'utilisateur.

Les tuyaux, boutons, plateaux à charpie et tout accessoire ou pièce jetable.

Les frais de main-d'œuvre, transport pour dépannage et d'expédition pour le retrait et le remplacement de pièces défectueuses au-delà de la période de 12 mois.

Les dommages liés à une utilisation autre qu'une utilisation domestique normale.

Tout frais de transport et d'expédition.

CETTE GARANTIE LIMITÉE REMPLACE TOUTE AUTRE GARANTIE EXPRESSE OU IMPLICITE, Y COMPRIS, MAIS PAS SEULEMENT, LES GARANTIES IMPLICITES, Y COMPRIS LES GARANTIES DE QUALITÉ MARCHANDE OU D'APTITUDE À UN USAGE PARTICULIER

Le recours offert dans cette garantie est exclusif et se substitue à toute autre garantie.

Cette garantie ne couvre pas les dommages fortuits ou indirects; aussi les limitations décrites ci-dessus peuvent ne pas s'appliquer à votre cas. Certains États ne permettent pas de limitation sur la durée d'une garantie implicite, aussi les limitations décrites ci-dessus peuvent ne pas s'appliquer à votre cas.

Cette garantie vous confère des droits juridiques spécifiques. Vous pouvez également jouir d'autres droits qui peuvent varier d'un État à l'autre.

Haier America
Wayne, NJ 07470

ÍNDICE

SEGURIDAD DE LA LAVADORA	60
PIEZAS Y CARACTERÍSTICAS	63
REQUISITOS DE INSTALACIÓN	64
Herramientas necesarias	64
Piezas suministradas	64
Requisitos de ubicación.....	64
Requisitos del sistema de desagüe.....	65
Requisitos eléctricos	66
Instrucciones de puesta a tierra	68
INSTRUCCIONES DE INSTALACIÓN	69
Paso 1 - Desempaque de la lavadora	69
Paso 2 - Instalación de la cubierta de la parte inferior	71
Paso 3 - Conecte y asegure la manguera de desagüe	73
Paso 4 - Conecte las mangueras de agua.....	73
Paso 5 - Nivele la lavadora	75
Paso 6 - Complete la instalación.....	75
PANEL DE CONTROL Y CARACTERÍSTICAS	76
USO DE LA LAVADORA	80
Paso 1 - Prepare y separe las prendas	80
Paso 2 - Agregue los productos para el cuidado de las telas.....	81
Paso 3 - Cargue la lavadora	82
Paso 4 - Ponga la lavadora en marcha.....	82
GUÍA PARA EL CUIDADO Y LA LIMPIEZA	82
Limpieza y mantenimiento.....	83
Precauciones al irse de vacaciones.....	83
Preparación para la mudanza o el almacenaje	84
Cómo volver a instalar o usar la lavadora nuevamente	84
SOLUCIÓN DE PROBLEMAS	85
GARANTÍA LIMITADA	88

INFORMACIÓN A TENER EN CUENTA

Le agradecemos la compra de este producto de marca Haier. Este manual para el usuario le ayudará a obtener el mejor funcionamiento de su nueva lavadora.

Para referencia futura, anote el número de modelo y de serie, que están situados en la parte posterior de la lavadora, y la fecha de compra.

Engrape la prueba de compra de este manual para asistirle cuando necesite obtener servicio bajo la garantía.

Número de modelo

Número de serie

Fecha de compra

SEGURIDAD DE LA LAVADORA

Su seguridad y la seguridad de los demás es muy importante.

Hemos incluido muchos mensajes importantes de seguridad en este manual y en su electrodoméstico. Lea y obedezca siempre todos los mensajes de seguridad.



Este es el símbolo de advertencia de seguridad.

Este símbolo le llama la atención sobre peligros potenciales que pueden ocasionar la muerte o una lesión a usted y a los demás. Todos los mensajes de seguridad irán a continuación del símbolo de advertencia de seguridad y de la palabra "PELIGRO", "ADVERTENCIA" o "PRECAUCIÓN".

Estas palabras significan:

! PELIGRO

Se trata de una situación de peligro inminente. Si no sigue las instrucciones de inmediato, usted puede morir o sufrir una lesión grave.

! ADVERTENCIA

Se trata de una situación posiblemente peligrosa que, de no evitarse, podría causar la muerte o una lesión grave.

! PRECAUCIÓN

Se trata de una situación posiblemente peligrosa que, de no evitarse, podría causar lesiones moderadas o leves.

Todos los mensajes de seguridad le dirán el peligro potencial, le dirán cómo reducir las posibilidades de sufrir una lesión y lo que puede suceder si no se siguen las instrucciones.

INSTRUCCIONES IMPORTANTES DE SEGURIDAD

ADVERTENCIA: Para reducir el riesgo de incendio, choque eléctrico, lesiones a personas o daños al utilizar la lavadora, siga precauciones básicas, incluyendo las siguientes:

- Mantenga el área alrededor del aparato libre de materiales combustibles, tales como pelusa, papel, trapos o productos químicos.
 - Es necesario supervisar cuidadosamente a los niños si los mismos usan el aparato o cuando éste se use cerca de ellos. No permita que los niños jueguen con o sobre este aparato ni en el interior del mismo.
 - No coloque artículos que hayan sido previamente limpiados, lavados, puestos en remojo o manchados con gasolina, disolventes de limpieza en seco u otras sustancias inflamables o explosivas en el agua de lavado. Estas sustancias despiden vapores que pueden encenderse o causar una explosión.
 - No agregue gasolina, solventes para limpiar en seco u otras sustancias inflamables o explosivas al agua de lavado. Estas sustancias despiden vapores que pueden encenderse o causar una explosión.
 - No introduzca las manos en el aparato si la canasta de lavado, la tina o el agitador se está moviendo
 - No trate de forzar los controles.
 - Para reducir al mínimo la posibilidad de un choque eléctrico, desenchufe este aparato del suministro de energía antes de intentar realizar el mantenimiento o la limpieza.
- NOTA:** Apagar el poder NO desconectará el aparato del suministro de energía.
- No intente proveer servicio, reparación ni reemplazar ninguna parte del aparato a menos que esto se recomiende específicamente en este manual o en instrucciones de reparación publicadas para el usuario que usted comprenda y si cuenta con la experiencia necesaria para llevar a cabo dicha reparación.
 - Antes de desechar la lavadora o de retirarla del servicio, quítele la puerta o la tapa.
 - Lea todas las instrucciones antes de usar este aparato.
 - Use este aparato solamente para el propósito que fue diseñado, como se describe en este manual para el usuario.
 - No use la lavadora con propósitos de lavandería comercial.

INSTRUCCIONES IMPORTANTES DE SEGURIDAD

- Bajo ciertas condiciones, puede generarse gas hidrógeno en un sistema de agua caliente que no se haya usado por dos semanas o un período mayor. **EL GAS HIDRÓGENO ES EXPLOSIVO.** Si no se ha usado el sistema de agua caliente durante dicho período, antes de usar una máquina de lavar, abra todos los grifos de agua caliente y deje que corra el agua de cada uno por varios minutos. Esto liberará todo el gas hidrógeno que se haya acumulado. Debido a la inflamabilidad de dicho gas, no fume ni use una llama abierta durante este lapso.
- Antes de usarse este aparato, deberá ser debidamente instalado y ubicado de acuerdo a las instrucciones de instalación.
- No guarde este aparato ni lo instale en donde se verá expuesto a temperaturas por debajo del punto de congelación ni expuesto a las inclemencias del tiempo, ya que esto puede ocasionar daños al mismo.
- El aparato deberá ser conectado a tierra como es debido, para que cumpla con todos los códigos y ordenanzas eléctricos. Vea la sección "Requisitos eléctricos".

LEA Y GUARDE ESTAS INSTRUCCIONES

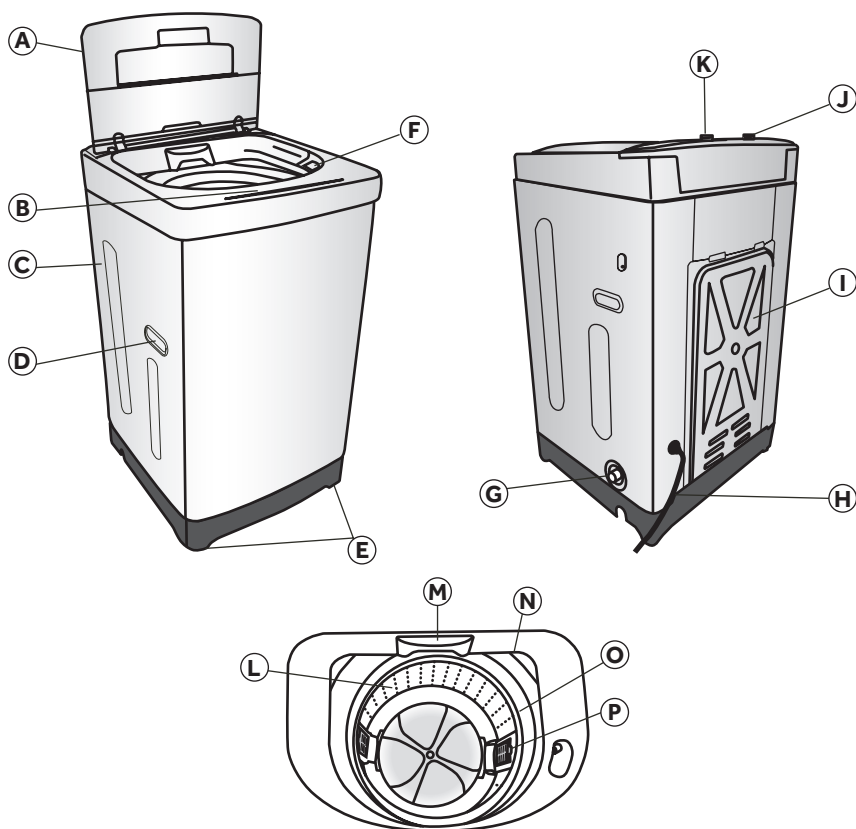
⚠ ADVERTENCIA

Peligro de asfixia

Antes de deshacerse de su viejo aparato, quítele la puerta o la tapa, para que los niños no puedan esconderse ni quedar atrapados dentro del mismo.

No seguir esta instrucción puede ocasionar la muerte o daño al cerebro.

PIEZAS Y CARACTERÍSTICAS



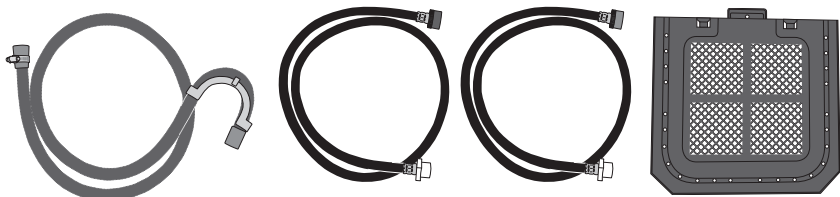
- | | |
|---|---|
| (A) Tapa superior | (I) Panel de acceso |
| (B) Panel de control | (J) Válvula de entrada de agua fría |
| (C) Carcasa | (K) Válvula de entrada de agua caliente |
| (D) Manija del armario | (L) Canasta de lavado |
| (E) Patas niveladoras (2) | (M) Depósito de detergente en polvo |
| (F) Depósito del blanqueador líquido | (N) Cubierta exterior de la tina |
| (G) Conducto de desagüe | (O) Aro de balance |
| (H) Cable eléctrico (120 voltios / 60 Hz) | (P) Filtro de pelusa |

REQUISITOS DE INSTALACIÓN

HERRAMIENTAS NECESARIAS

- Alicates
- Llave de tuercas
- Destornillador de hoja plana
- Cinta de medir
- Nivel de carpintero
- Destornillador phillips

PIEZAS SUMINISTRADAS



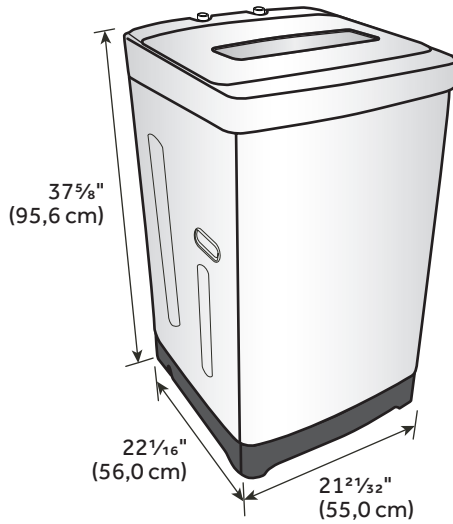
- Abrazadera de la manguera de desagüe
- Gancho de la manguera de desagüe
- Manguera de desagüe
- Mangueras de agua (2) (con arandelas planas instaladas previamente)
- Manual para el usuario
- Cubierta inferior (con tornillo)

REQUISITOS DE UBICACIÓN

- La lavadora deberá ser instalada sobre un piso sólido, para reducir al mínimo la vibración durante el ciclo de exprimido. El piso de hormigón es el mejor.
- El piso deberá estar nivelado y con un declive máximo de 1" (25 mm) debajo de toda la lavadora.
- Un lugar apropiado, protegido de la luz directa del sol y de fuentes de calor, tales como radiadores, zócalos radiantes o aparatos de cocción.
- No la instale sobre una alfombra.
- El lugar deberá tener un contacto eléctrico conectado a tierra, ubicado a menos de 4 pies (1,2 m) del cable eléctrico, en la parte posterior de la lavadora.
- Los grifos de agua fría y caliente deberán estar a menos de 3 pies (0,9 m) de las conexiones de agua fría y caliente en la lavadora.
- Un calentador de agua deberá proveer agua caliente a una temperatura de por lo menos 120 °F (49 °C).
- La presión de agua deberá estar entre 20 y 100 lb/pulg² (138 y 690 kPa).

IMPORTANTE: No instale ni ponga a funcionar esta lavadora donde estará expuesta a temperaturas por debajo de 32 °F (0 °C). El agua que quede en la lavadora se congelará y ocasionará daños a la misma.

DIMENSIONES DE LA LAVADORA

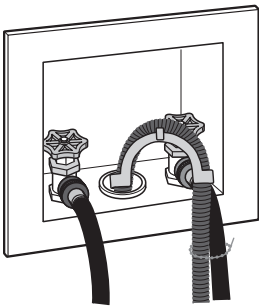


REQUISITOS DEL SISTEMA DE DESAGÜE

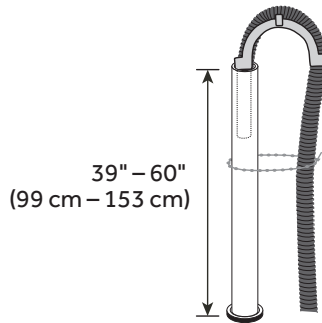
TUBO VERTICAL DE PARED O POR EL PISO

La altura del tubo vertical deberá ser entre 39" (99 cm) y 60" (153 cm) desde la base de la lavadora. El tubo vertical deberá tener un diámetro mínimo de 2" (5 cm).

Pared

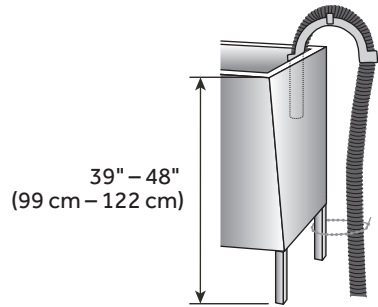


Piso



TINA DE LAVADERO

La tina de lavadero necesita una capacidad mínima de 20 gal (76 L). La tina de lavadero deberá tener una altura de por lo menos 39" (99 cm) y no más de 48" (122 cm).



REQUISITOS ELÉCTRICOS

⚠ ADVERTENCIA



Peligro de Choque Eléctrico

La lavadora deberá ser enchufada en un contacto eléctrico debidamente puesto a tierra, de 120 voltios, 60 Hz, CA solamente, de 15 ó 20 amperios, con fusibles. Se recomienda un fusible retardador o un cortacircuitos.

No seguir estas instrucciones puede ocasionar la muerte, incendio o choque eléctrico.

- Si el suministro eléctrico provisto no satisface los requisitos mencionados anteriormente, póngase en contacto con un electricista competente autorizado.

⚠ ADVERTENCIA



Peligro de Choque Eléctrico

Conecte a un contacto de pared de conexión a tierra de 3 terminales.

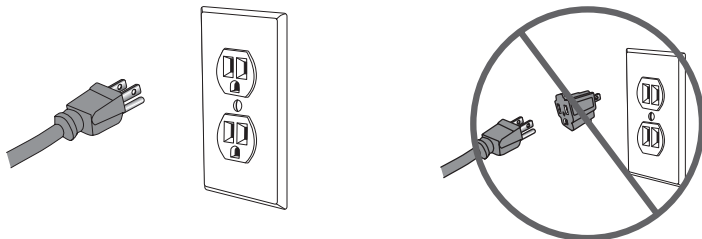
No quite el terminal de conexión a tierra del cable de alimentación.

No use un adaptador.

No use un cable eléctrico de extensión.

No seguir estas instrucciones puede ocasionar la muerte, incendio o choque eléctrico.

- Se necesita un suministro eléctrico de 120 voltios, 60 hertzios, CA solamente, de 15 o 20 amperios y protegido con fusibles. Se recomienda un fusible retardador o un cortacircuitos independiente que preste servicio únicamente a este aparato.
- Esta lavadora viene equipada con un cable de suministro eléctrico dotado de un enchufe de 3 terminales con conexión a tierra.
- Para reducir al mínimo el peligro de posibles choques eléctricos, el cable debe estar enchufado en un tomacorriente apropiado de pared de 3 terminales, con conexión a tierra de acuerdo con los códigos y ordenanzas locales. Si no hay disponible un tomacorriente equivalente, es responsabilidad y obligación personal del cliente tener un tomacorriente apropiado con conexión a tierra instalado por un electricista competente.



- Si los códigos lo permiten y se emplea un alambre de conexión a tierra separado, se recomienda que un electricista competente determine si la trayectoria de conexión a tierra es adecuada.
- No conecte a tierra a un tubo de gas.
- Si no está seguro de que la conexión a tierra de la lavadora sea la adecuada, verifíquela con un electricista competente.
- No coloque un fusible en el circuito neutro o de puesta a tierra.

INSTRUCCIONES DE PUESTA A TIERRA

Para la conexión de una lavadora mediante cable eléctrico conectado a tierra:

La lavadora debe estar conectada a tierra. En el caso de funcionamiento defectuoso o avería, la conexión a tierra reducirá el riesgo de choque eléctrico al proporcionar una vía de menor resistencia para la corriente eléctrica.

La lavadora usa un cable que cuenta con un conductor para la conexión a tierra del equipo y un enchufe de conexión a tierra. El enchufe debe conectarse en un contacto apropiado, que esté debidamente instalado y conectado a tierra de acuerdo con todos los códigos y ordenanzas locales.

ADVERTENCIA: La conexión inadecuada del conductor a tierra para el equipo puede resultar en un riesgo de choque eléctrico.

Si no está seguro de que la conexión a tierra de la lavadora sea la adecuada, verifíquela con un electricista o técnico de servicio competente.

No modifique el enchufe provisto con la lavadora; si no encaja en el tomacorriente, consulte con un electricista competente para instalar un contacto adecuado.

Para la conexión permanente de una lavadora:

La lavadora debe estar conectada a un sistema de cableado de metal permanente, conectado a tierra, o se debe tender un conducto para la conexión a tierra del equipo con los conductores de circuito y conectado al terminal del equipo o al conductor de suministro de la lavadora.

INSTRUCCIONES DE INSTALACIÓN

Se recomienda que un técnico de aparatos competente instale su nueva lavadora. Si le parece que tiene la habilidad para instalar la lavadora, lea las instrucciones de instalación cuidadosamente antes de hacerlo.

IMPORTANT:

- Si después de seguir estos pasos no está seguro de haber instalado la lavadora adecuadamente, póngase en contacto con un técnico de aparatos competente.
- Si recién le han entregado la lavadora y la temperatura del exterior estaba por debajo del punto de congelación, no ponga a funcionar la lavadora hasta que alcance la temperatura ambiente.

PASO 1 - DESEMPAQUE DE LA LAVADORA

! ADVERTENCIA



Peligro de asfixia

Para evitar el peligro de asfixia, mantenga la bolsa de plástico y otros materiales de envío lejos del alcance de los bebés y los niños. No use esta bolsa en cunas, cochecitos ni corrales. La bolsa de plástico podría bloquear la nariz y la boca, impidiendo la respiración. Esta bolsa no es un juguete.

No seguir esta instrucción puede ocasionar la muerte o daño al cerebro.

! ADVERTENCIA

Peligro de Peso Excesivo

Use dos o más personas para mover e instalar la lavadora.

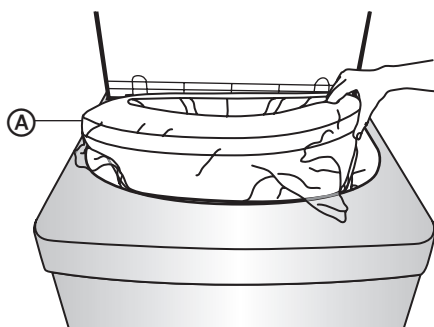
No seguir esta instrucción puede ocasionar una lesión en la espalda u otro tipo de lesiones.

1. Quite todos los materiales de embalaje. Esto incluye: la base de espuma, soporte de plástico moldeado y toda la cinta adhesiva que mantiene sujetos los accesorios del interior y el exterior de la lavadora.

IMPORTANTE: Si no quita la base del embalaje, la lavadora no funcionará correctamente y se anulará la garantía.

- Abra la tapa para acceder al soporte de la canasta de lavado. Jale hacia arriba del soporte de la canasta para quitarla.

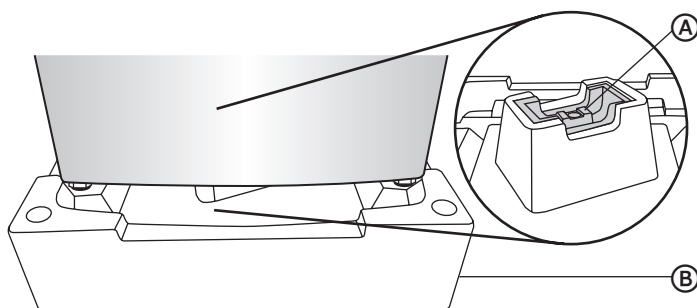
NOTA: Guarde el soporte de la canasta de lavado para usarlo cuando mueva la lavadora en el futuro.



(A) Soporte de la canasta de lavado

- Con la ayuda de dos o más personas, levante la lavadora para quitarla de la base del embalaje y del soporte de plástico moldeado.

NOTA: Es posible que el soporte de plástico, debajo del soporte en forma de U, permanezca sujeto a la base de la lavadora. Asegúrese de que se quite con la base de espuma.



(A) Soporte de plástico
(B) Base de espuma

2. Inspeccione la lavadora y quite los restos de materiales de embalaje, cinta o material impreso antes de usar la lavadora.
3. Deshágase apropiadamente de todos los materiales de embalaje o recíclelos.

PASO 2 - INSTALACIÓN DE LA CUBIERTA DE LA PARTE INFERIOR

⚠ ADVERTENCIA



Peligro de choque eléctrico

Instale la cubierta de la base.

Trabe las cuatro ruedecillas antes de poner en funcionamiento la lavadora.

No seguir esta instrucción puede ocasionar la muerte, choque eléctrico o lesiones físicas.

⚠ ADVERTENCIA



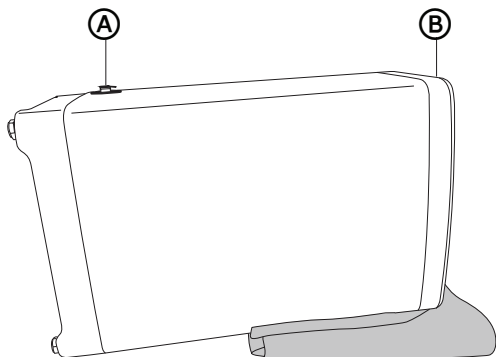
Peligro de Choque Eléctrico

Desconecte el suministro de energía antes de dar mantenimiento.

Vuelva a colocar todos los paneles antes de hacer funcionar.

No seguir estas instrucciones puede ocasionar la muerte o choque eléctrico.

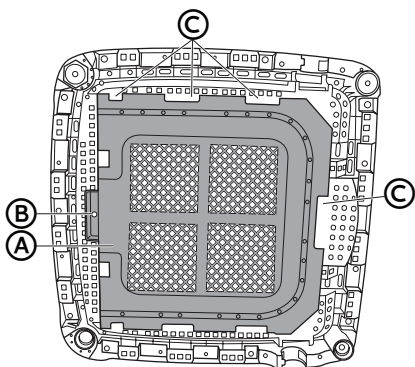
1. Disponga las mantas o toallas dobladas en el piso para crear una pendiente.
2. Con la ayuda de dos o más personas, coloque la lavadora sobre su lateral de modo que la parte superior de la lavadora esté más arriba que la base y la salida del desagüe quede mirando hacia arriba.



- Ⓐ Salida del desagüe
- Ⓑ Parte superior de la lavadora

3. Con el lado de la cubierta de la parte inferior marcado con la leyenda FRONT/UP (Frente/Arriba) hacia el interior y el frente de la lavadora, alinee los bordes de la cubierta con la guía en la parte inferior de la lavadora.
4. Desde el frente de la lavadora, deslice la cubierta de la parte inferior totalmente en la guía asegurándose de que los bordes de la cubierta estén detrás de las lengüetas.

NOTA: Cuando la cubierta está totalmente insertada dentro de la guía detrás de las lengüetas, el orificio para el tornillo estará nivelado y alineado con el orificio dentro de la parte inferior del armario.

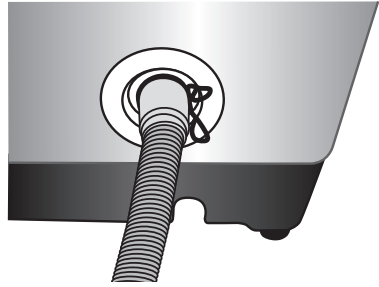


- Ⓐ Cubierta de la parte inferior
- Ⓑ Orificio del tornillo
- Ⓒ Lengüetas

5. Con el tornillo (provisto), sujete la cubierta de la parte inferior a la base del armario.
6. Con la ayuda de dos o más personas, coloque la lavadora en posición vertical.

PASO 3 - CONECTE Y ASEGURE LA MANGUERA DE DESAGÜE

1. Agrande la abertura apretando a la vez los extremos de la abrazadera de la manguera de desagüe. Deslice la abrazadera sobre el extremo de la manguera de desagüe y sobre la sección flexible de la manguera.
2. Haga encajar el extremo de la manguera de desagüe sobre el puerto de desagüe de plástico de la lavadora.
3. Apriete los extremos de la abrazadera para agrandar las aberturas y deslice la abrazadera sobre la conexión de la manguera de desagüe y el puerto de desagüe. Suelte la abrazadera para ajustar.
4. Coloque el extremo del gancho de la manguera de desagüe en un tubo o tina de lavadero.
5. Asegure la manguera de desagüe en su lugar sujetándola a una manguera de agua, al tubo vertical o a la pata de la tina de lavadero. Consulte "Requisitos para el sistema de desagüe" para ver las imágenes.



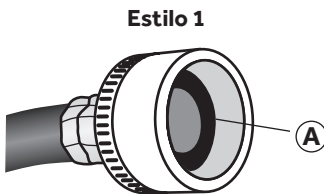
PASO 4 - CONECTE LAS MANGUERAS DE AGUA

Según el modelo, las mangueras de agua provistas serán de **Estilo 1** o **Estilo 2**. Siga las instrucciones específicas para el estilo de mangueras de agua provistas.

IMPORTANTE: Utilice solamente mangueras nuevas cuando instale la lavadora. Las mangueras de agua deben tener conectores de rosca gruesa en un extremo (para conectar al suministro de agua del hogar) y conectores de rosca fina en el otro extremo (para conectar a la máquina de lavar).

NOTA: Inspeccione periódicamente las mangueras para ver si tienen rajaduras, cortes, fugas o desgaste. Reemplácelas con mangueras nuevas cada 5 años.

1. Cerciórese de que cada extremo de las mangueras de entrada de agua tenga una arandela plana colocada firmemente en su lugar. Las arandelas planas han sido instaladas previamente de fábrica.

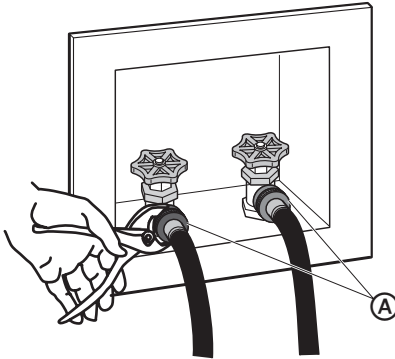


(A) Arandela

2. Enrosque a mano el extremo blanco de la manguera de entrada en la válvula de entrada en la parte posterior de la lavadora, hasta que quede firmemente mano se tensó.

IMPORTANTE: Para evitar daños en los acoplamientos de las mangueras, no los apriete en exceso.

NOTA: Para evitar daños en los grifos, no use cinta de plomero ni ningún tipo de sellador en las roscas de las válvulas.



Ⓐ Solo el extremo gris

3. Enrosque a mano el otro extremo de las mangueras de entrada sobre las válvulas de entrada marcadas con una "H" (para agua caliente) y una "C" (para agua fría) en la parte posterior de la lavadora, hasta que queden apretadas.

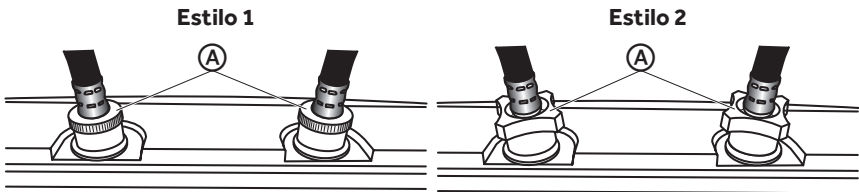
IMPORTANTE:

- No conecte el extremo gris de la manguera de entrada a la lavadora. Dañará las roscas y filtrarán.
- Para evitar daños en el acoplamiento de la manguera, no lo apriete en exceso.

Estilo 1 - Con las pinzas, apriete la conexión dos tercios de vuelta adicional.

Estilo 2 - No use pinzas para apretar la conexión.

NOTA: Para evitar daños en la válvula de entrada de la lavadora, no use cinta de plomero ni selladores en las roscas de la válvula.



Ⓐ Solo el extremo blanco

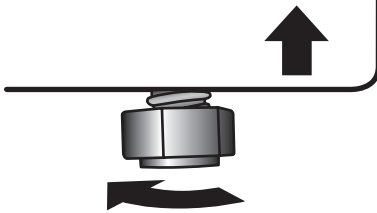
4. Abra los grifos de agua fría y caliente y revise si hay fugas. Si hay alguna fuga, revise nuevamente los pasos 1 al 3.

PASO 5 - NIVELE LA LAVADORA

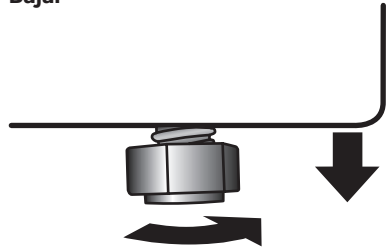
IMPORTANTE: La nivelación apropiada de su lavadora ayudará a reducir el ruido y la vibración.

1. Coloque la lavadora en su ubicación final. Cerciérese de que las líneas de agua y de desagüe no estén tirantes ni pinchadas. Cerciérese de que las cuatro patas estén en contacto firme con el piso y que la lavadora descansa firmemente en su posición.
2. Con un nivel de carpintero, cerciérese de que la lavadora esté nivelada de lado a lado y de frente hacia atrás.
3. Si la lavadora no está nivelada, regule las patas niveladoras. Gírelas hacia la derecha para extender (levantar la lavadora) o hacia la izquierda para retraer (bajar la lavadora).

Levantar



Bajar



PASO 6 - COMPLETE LA INSTALACIÓN

⚠ ADVERTENCIA



Peligro de Choque Eléctrico

Conecte a un contacto de pared de conexión a tierra de 3 terminales.

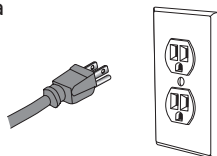
No quite el terminal de conexión a tierra del cable de alimentación.

No use un adaptador.

No use un cable eléctrico de extensión.

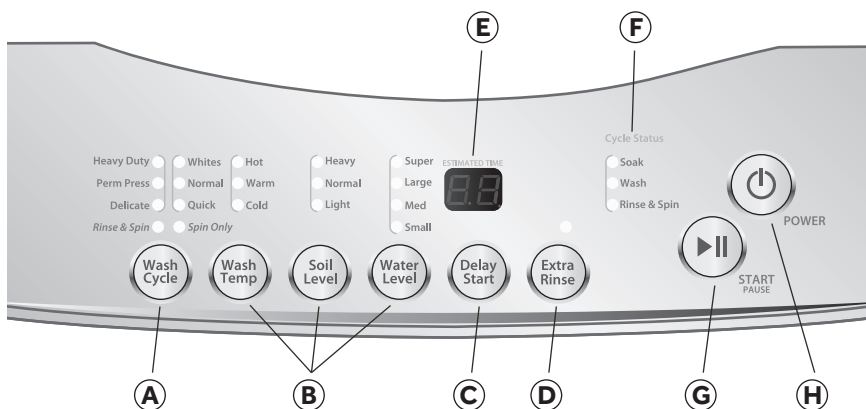
No seguir estas instrucciones puede ocasionar la muerte, incendio o choque eléctrico.

1. Enchufe la lavadora en un contacto de pared de conexión a tierra de 3 terminales.
2. Verifique que los grifos de agua estén abiertos.
3. Deshágase de todos los materiales de embalaje o recíclelos.
4. Ponga a funcionar un ciclo de lavado normal con detergente, para probar y limpiar la lavadora. Consulte la sección "Instrucciones para el funcionamiento".



PANEL DE CONTROL Y CARACTERÍSTICAS

PANEL DE CONTROL



A BOTÓN WASH CYCLE (CICLO DE LAVADO)

- Use este botón para seleccionar el ciclo deseado para su carga de lavado.
- Los ajustes prefijados estándares de cada ciclo aparecerán en pantalla; los ajustes prefijados pueden cambiarse con los botones de ajuste: Wash Temp (Temperatura de lavado), Soil Level (Nivel de suciedad) y Water Level (Nivel de agua).
- Hay 8 ciclos automáticos para elegir:

Heavy Duty (Intenso) - Use este ciclo para prendas durables con suciedad profunda. Este ciclo también puede usarse para toallas, artículos deportivos, ropa de niños, etc.

Whites (Ropa blanca) - Use este ciclo de agua caliente para prendas blancas y de colores claros que pueden teñirse.

Perm Press (Planchado permanente) - Use este ciclo para prendas con suciedad de ligera a normal.

Normal - Use este ciclo para las prendas de algodón y cargas de telas mixtas con suciedad normal.

Delicate (Ropa delicada) - Use este ciclo para lavar prendas con suciedad ligera y ropa delicada que necesite un lavado delicado.

Quick (Rápido) - Use este ciclo para lavar cargas pequeñas de prendas con suciedad ligera que necesite de prisa.

Rinse & Spin (Enjuague y exprimido) - Use este ciclo para quitar el exceso de detergente y revitalizar las prendas limpias.

Spin Only (Sólo exprimido) - Use este ciclo para extraer agua de la tina o de las prendas limpias que estén mojadas.

B BOTONES DE AJUSTE

Botón Wash Temp (Temperatura de lavado)

- Use este botón para seleccionar una temperatura de lavado; todos los enjuagues se realizan con agua fría. Para obtener mejores resultados, siga las instrucciones de la etiqueta de las prendas y use la temperatura del agua más caliente que la tela pueda resistir.
- No todas las selecciones están disponibles con todos los ciclos.

Botón Soil Level (Nivel de suciedad)

- Use este botón para seleccionar el nivel de suciedad más apropiado para la carga. Según el nivel de suciedad, el tiempo de lavado aumentará o disminuirá en incrementos de 4 a 8 minutos en la pantalla de Estimated Time Remaining (Tiempo estimado restante).
- Hay 3 niveles de suciedad para elegir - Intenso, Normal, Ligero

Botón Water Level (Nivel de agua)

- Use este botón para seleccionar un nivel de agua adecuado para la carga. El ajuste Small (Pequeño) es el nivel más bajo de agua; el ajuste Super (Súper) es el más alto.

C BOTÓN DELAY START (INICIO DIFERIDO)

- Presione este botón para retrasar el inicio del ciclo de lavado entre 1 a 24 horas en incrementos de una hora.
- Use este botón para seleccionar un inicio diferido de la lavadora. La cantidad de horas se mostrará en la pantalla Estimated Time Remaining (Tiempo estimado restante). Cada vez que presione el botón Delay Start (Inicio diferido), el tiempo se incrementará en 1 hora.
- Si presiona el botón después de 24, cancelará la función de inicio diferido. También puede cancelar la función de Delay Start (Inicio diferido) si desconecta la energía de la lavadora con el botón Power (Encendido)
- Se debe seleccionar el botón Start/Pause (Inicio/Pausa) para comenzar la cuenta regresiva.

D BOTÓN EXTRA RINSE (ENJUAGUE ADICIONAL)

- Presione para agregar un enjuague adicional a su ciclo de lavado.

NOTA: Algunos ciclos tienen esta opción por defecto. Consulte la Guía de ciclos para obtener detalles.

E PANTALLA ESTIMATED TIME REMAINING (TIEMPO ESTIMADO RESTANTE)

- La pantalla Estimated Time Remaining (Tiempo estimado restante) muestra el tiempo estimado del ciclo en minutos.
- Cuando se usa la opción Delay Start (Inicio diferido), la pantalla Estimated Time Remaining (Tiempo estimado restante) mostrará el tiempo de retraso en horas.

F INDICADORES DEL ESTADO DEL CICLO

- Las luces del estado del ciclo indica las etapas del ciclo seleccionado.

G BOTÓN START/PAUSE (INICIO/PAUSA)

- Presione este botón para poner en marcha un ciclo seleccionado o hacer una pausa en un ciclo que esté en marcha.

NOTA: Luego de iniciar el ciclo de lavado, deberá hacer una pausa en el ciclo que esté en marcha para cambiar los ajustes de Wash Temp (Temperatura de lavado), Soil Level (Nivel de suciedad) y Water Level (Nivel de agua).

H BOTÓN POWER (ENCENDIDO)

IMPORTANTE: El apagado de la unidad con el botón Power (Encendido) no desconecta el aparato del suministro eléctrico.

- Presione el botón Power (Encendido) para encender la lavadora.

NOTA: Si la lavadora está encendida, pero no se presiona START (Inicio), se apagará automáticamente después de 5 minutos.

GUÍA DE CICLOS

NOTA: Para proteger su carga de lavado, no todas las opciones y ajustes estarán disponibles para todos los ciclos. Las cajas sombreadas indican los ajustes por defecto para cada ciclo.

CICLO	TIPO DE TELA	PROCESO DE LAVADO	TIEMPO EST.	WASH TEMP (TEMP. DE LAVADO)	SOIL LEVEL (NIVEL DE SUCIEDAD)	WATER LEVEL (NIVEL DE AGUA)	EXTRA RINSE (ENJUAGUE ADICIONAL)
Heavy Duty (Intenso)	Telas durables que no destiñen, con suciedad profunda	Remojo de 12 minutos Lavado de 25 minutos Rinse (Enjuague) Spin (Exprimido)	1:08	Warm (Tibia)	Normal	Medium (Media)	•
				Hot (Caliente) Cold (Fria)	Heavy (Intenso) Light (Ligero)	Super (Super) Large (Grande) Small (Pequeño)	

CICLO	TIPO DE TELA	PROCESO DE LAVADO	TIEMPO EST.	WASH TEMP (TEMP. DE LAVADO)	SOIL LEVEL (NIVEL DE SUCIEDAD)	WATER LEVEL (NIVEL DE AGUA)	EXTRA RINSE (ENJUAGUE ADICIONAL)
Whites (Ropa blanca)	Prendas blancas	Remojo de 12 minutos Lavado de 25 minutos Rinse (Enjuague) Spin (Expri-mido)	1:15	Hot (Ca-liente)	Normal	Medium (Media)	•
				Warm (Tibia) Cold (Fria)	Heavy (In-tenso) Light (Ligero)	Super (Súper) Large (Grande) Small (Pe-queño)	
Perm Press (Plan-chado perma-nente)	Telas antia-rrugas y sinté-ticas	Lavado de 16 minutos Rinse (Enjuague) Spin (Expri-mido)	:35	Warm (Tibia)	Normal	Medium (Media)	•
				Cold (Fria)	Heavy (In-tenso) Light (Ligero)	Super (Súper) Large (Grande) Small (Pe-queño)	
Normal	Telas de algodón, lino y prendas mez-cladas	Lavado de 16 minutos Enjuague por rociado Spin (Expri-mido)	:40	Warm (Tibia)	Normal	Medium (Media)	•
				Hot (Ca-liente) Cold (Fria)	Heavy (In-tenso) Light (Ligero)	Super (Súper) Large (Grande) Small (Pe-queño)	
Delicate (Ropa delicada)	Prendas de lencería, telas finas con encaje	Lavado de 10 minutos Rinse (Enjuague) Spin (Expri-mido)	:29	Warm (Tibia)	Normal	Medium (Media)	•
				Cold (Fria)	Heavy (In-tenso) Light (Ligero)	Super (Súper) Large (Grande) Small (Pe-queño)	
Quick (Rápido)	Telas de algodón, lino y prendas mez-cladas	Lavado de 9 minutos Rinse (Enjuague) Spin (Expri-mido)	:23	Warm (Tibia)	Normal	Medium (Media)	•
				Hot (Ca-liente) Cold (Fria)	Heavy (In-tenso) Light (Ligero)	Super (Súper) Large (Grande) Small (Pe-queño)	

CICLO	TIPO DE TELA	PROCESO DE LAVADO	TIEMPO EST.	WASH TEMP (TEMP. DE LAVADO)	SOIL LEVEL (NIVEL DE SUCIEDAD)	WATER LEVEL (NIVEL DE AGUA)	EXTRA RINSE (ENJUAGUE ADICIONAL)
Rinse & Spin (Enjuague y exprimido)	Prendas limpias	Rinse (Enjuague) Spin (Exprimido)	:17	Sólo fría	n/a	Medium (Media)	•
						Super (Súper) Large (Grande) Small (Pequeño)	
Spin Only (Sólo exprimido)	Prendas limpias mojadas	Spin (Exprimido)	:06	n/a	n/a	n/a	

- La función Extra Rinse (Enjuague adicional) agregará aproximadamente 7 minutos.

USO DE LA LAVADORA

PASO 1 - PREPARE Y SEPRE LAS PRENDAS

PREPARE LAS PRENDAS

- Revise las etiquetas de las prendas para ver las instrucciones de lavado.
- Vacíe los bolsillos y vuélvalos al revés.
- Quite los artículos sueltos (alfileres, horquillas, monedas, anillos, aretes, servilletas, etc.) de las prendas para evitar que rayen la canasta de lavado u obstruyan la bomba de desagüe.
- Dé vuelta los puños y quite la pelusa o la suciedad.
- Ate los cordones y fajas de modo que no se enreden.
- Cierre los zipers, broches de presión y corchetes para evitar que se enganchen.
- Trate previamente todas las manchas y las áreas con suciedad profunda.
- Vuelva al revés las prendas sintéticas y los tejidos de lana para evitar que se llenen de motitas.

SEPRE LAS PRENDAS

- Separe la ropa según el ciclo de lavado necesario (temperatura del agua y acción de lavado).
- Separe los colores claros de los colores oscuros, los artículos que no destiñen de los que sí destiñen.
- Separe las telas pesadas de las telas ligeras.
- Separe las telas que atraen pelusa de las telas que sueltan pelusa.
- Separe artículos voluminosos como frazadas o almohadas.

PASO 2 - AGREGUE LOS PRODUCTOS PARA EL CUIDADO DE LAS TELAS

AGREGUE DETERGENTE

- Use solamente un detergente de alta eficiencia. Los detergentes HE (Alta eficiencia) han sido especialmente formulados con ingredientes que evitan los problemas ocasionados por el exceso de espuma del jabón. El exceso de espuma impedirá el enjuague completo de los restos de detergente de las prendas.
- Si selecciona el ciclo Quick (Rápido), se recomienda que use detergente de lavandería líquido para alcanzar resultados óptimos. El detergente en polvo puede que no se disuelva lo suficientemente rápido para limpiar bien en este ciclo.
- Determine la cantidad de detergente. Siga las instrucciones de uso del detergente que aparecen en el recipiente.



NOTA: La cantidad adecuada de detergente depende del tamaño de la carga, el nivel de suciedad de las prendas y el grado de agua blanda que se suministre a la lavadora.

Detergente líquido

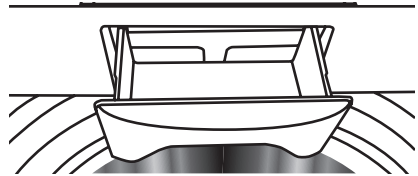
1. Llene la lavadora con una pequeña cantidad de agua y agregue detergente líquido.

NOTA: Para mejores resultados, agregue detergente a la canasta de lavado antes de cargar la ropa.

2. Ponga a funcionar durante 30 segundos para disolver completamente el detergente.

Detergente en polvo

1. Vierta la cantidad medida de detergente en polvo en el depósito de detergente.

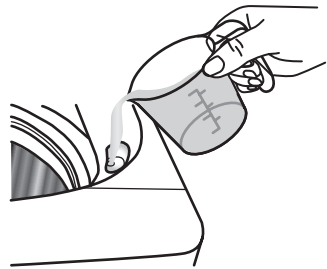


AGREGUE BLANQUEADOR (SI LO DESEA)

- Vierta una medida de blanqueador líquido con cloro en el depósito de blanqueador líquido con cloro.

NOTA: Use solamente blanqueador líquido en este depósito.

IMPORTANTE: Tenga cuidado de no derramar el blanqueador sobre la carcasa de la lavadora ni sobre la ropa. Debido a que es un producto químico poderoso, puede dañar la ropa o el acabado de la lavadora.



- Siga las instrucciones del fabricante en la etiqueta de las prendas sobre el uso recomendado de blanqueador líquido o en polvo.

PASO 3 - CARGUE LA LAVADORA

1. Cargue las prendas de modo flojo y uniforme alrededor de la canasta de lavado.
2. No cargue las prendas directamente sobre el centro del pulsador.
3. Cierre la tapa de la lavadora.

NOTAS:

- No cargue en exceso ni apriete los artículos para que quepan en la canasta de lavado. Sobrecargar la lavadora puede reducir la eficiencia de lavado, causar desgaste excesivo y posiblemente, ocasionar pliegues o arrugas en la carga.
- La lavadora no agitará ni exprimirá con la tapa abierta.

PASO 4 - PONGA LA LAVADORA EN MARCHA

1. Toque el botón POWER (Encendido) para encender la lavadora.
2. Seleccione un ciclo de lavado.
3. Modifique los ajustes y las opciones por defecto, si lo desea.
4. Presione el botón de INICIO/PAUSA para comenzar con el ciclo de lavado.

GUÍA PARA EL CUIDADO Y LA LIMPIEZA

! ADVERTENCIA



Peligro de choque eléctrico

Desconecte el suministro de energía antes de limpiarlo.

No seguir esta instrucción puede ocasionar la muerte o choque eléctrico.

- Desenchufe o desconecte el suministro de energía.

LIMPIEZA Y MANTENIMIENTO

GENERAL

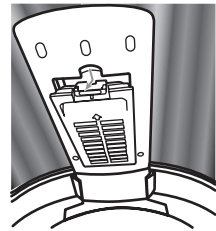
- Utilice solamente un paño húmedo o jabonoso para limpiar el panel de control.
- Si derrama suavizante, blanqueador o detergente líquido o en polvo sobre la carcasa, límpiela inmediatamente con un paño húmedo para evitar daños en el acabado.
- No use productos de limpieza abrasivos, productos químicos irritantes, amoníaco, blanqueador con cloro, detergente concentrado o solventes para limpiar la lavadora. Estos productos químicos pueden disolver, dañar o decolorar la lavadora.
- Luego de lavar la ropa, deje la puerta abierta para que se evapore la humedad del interior de la máquina y así evitar que se forme moho.

DEPÓSITO DE DETERGENTE

1. Jale la gaveta de depósito hacia afuera hasta que se detenga y levántela ligeramente para quitarla.
2. Enjuague el depósito con agua tibia y séquelo completamente con un paño suave.
3. Inserte la gaveta en un ángulo ligeramente inclinado hacia abajo y empújelo hacia atrás para colocarlo en su lugar.

FILTRO DE PELUSA

1. Empuje hacia abajo la lengüeta de la parte superior del filtro para liberarlo de la canasta de lavado.
2. Gire el filtro hacia arriba para que el lado posterior del mismo quede mirando hacia arriba.
3. Mientras sostiene firmemente el filtro con una mano, levante de la parte inferior del filtro para separar el frente del filtro de la parte de atrás para que pueda acceder a la malla del filtro.
4. Limpie la malla del filtro y vuelva a colocar la parte de atrás del filtro.
5. Deslice el filtro dentro de la canasta de lavado y presiónelo con firmeza para colocarlo en su lugar.



IMPORTANT: Ambos filtros de pelusa deben estar en su lugar durante los ciclos de lavado. Limpie los filtros de pelusa después de cada carga de lavado.

- Enchufe o vuelva a conectar el suministro de energía.

PRECAUCIONES AL IRSE DE VACACIONES

- Cierre los grifos de suministro de agua. Esto eliminará la posibilidad de daños a su hogar si hay una ruptura o fugas en la manguera.
- Desenchufe la lavadora del contacto eléctrico.
- Seque la canasta de lavado.
- Deje la puerta abierta para que se evapore la humedad del interior de la máquina y así evitar que se forme moho.

PREPARACIÓN PARA LA MUDANZA O EL ALMACENAJE

Aparte de seguir las "Precauciones al irse de vacaciones", complete los pasos adicionales indicados a continuación.

- Desenchufe o desconecte el suministro de energía.
- Desconecte las mangueras de agua y la manguera de desagüe; colóquelas en la canasta de lavado.
- Gire las patas niveladoras para que queden replegadas completamente dentro de la carcasa de la lavadora.
- Si va a mover la lavadora, coloque el soporte de la canasta de lavado de los materiales originales de envío nuevamente en el interior de la parte superior de la abertura de la lavadora. Asegure la tapa de la lavadora con cinta adhesiva protectora.
- Mueva la lavadora y guárdela solamente en la posición vertical.
- No guarde la lavadora en un ambiente frío en donde las temperaturas estarán por debajo del punto de congelación; guárdela a temperatura ambiente.

CÓMO VOLVER A INSTALAR O USAR LA LAVADORA NUEVAMENTE

⚠ ADVERTENCIA



Peligro de Choque Eléctrico

Conecte a un contacto de pared de conexión a tierra de 3 terminales.

No quite el terminal de conexión a tierra del cable de alimentación.

No use un adaptador.

No use un cable eléctrico de extensión.

No seguir estas instrucciones puede ocasionar la muerte, incendio o choque eléctrico.

Para volver a instalar la lavadora después de periodos de desuso, vacaciones, almacenamiento durante el invierno o mudanza:

1. Consulte las Instrucciones de instalación para ubicar, nivelar y conectar la lavadora.
2. Antes de usar la lavadora nuevamente, póngala a funcionar siguiendo el procedimiento recomendado a continuación:

Para volver a usar la lavadora:

1. Deje correr el agua por los tubos y las mangueras. Vuelva a conectar las mangueras de entrada de agua. Abra ambos grifos de agua.
2. Enchufe la lavadora o vuelva a conectar el suministro de energía.
3. Ponga a funcionar la lavadora en Wash Cycle (Ciclo de lavado) para limpiarla y quitar el anticongelante, en caso de haberlo usado.

NOTA: Use solamente un detergente de alto rendimiento (HE). Use la mitad de la cantidad recomendada por el fabricante para una carga mediana.

SOLUCIÓN DE PROBLEMAS

Pruebe las soluciones sugeridas aquí y posiblemente se evite el gasto de una visita de servicio técnico.

FUNCIONAMIENTO

PROBLEMA	POSIBLE(S) CAUSA(S)	SOLUCIÓN
La lavadora no funciona	No está conectado el suministro eléctrico a la lavadora.	Conecte el cable eléctrico a un tomacorriente de pared de 3 terminales con conexión a tierra.
	Se disparó el cortacircuitos o se quemó un fusible	Reemplace/encienda el cortacircuitos o cambie el fusible.
	La lavadora está sobrecargada o la carga de lavado no está equilibrada.	Es posible que haya que quitar o redistribuir la ropa para volver a equilibrar la carga.
	Se seleccionó el ciclo Delicate (Ropa delicada).	La lavadora hace pausas en algunos ciclos para que se remoje la ropa. La lavadora volverá a ponerse en marcha automáticamente cuando se termine el tiempo de remojo.
	La tapa de la lavadora está abierta.	Cierre la tapa de la lavadora.
La tapa de la lavadora no se abre	La tapa de la lavadora está bloqueada.	Presione Start/Pause (Inicio/Pausa) para detener la lavadora. Puede tardar algunos segundos en desbloquearse la puerta.

AGUA

PROBLEMA	POSIBLE(S) CAUSA(S)	SOLUCIÓN
El flujo de agua está lento o el llenado demora mucho tiempo	Los grifos de entrada de agua no están abiertos por completo.	Asegúrese de que los grifos de agua estén abiertos por completo.
	La manguera de llenado de agua está retorcida.	Asegúrese de que las mangueras de agua no estén enredadas, retorcidas ni aplastadas.

PROBLEMA	POSIBLE(S) CAUSA(S)	SOLUCIÓN
La temperatura del agua está demasiado caliente o fría	La temperatura del calentador de agua no está ajustada correctamente.	El agua caliente deberá estar a una temperatura de por lo menos 120 °F a 140 °F (49 °C a 60 °C).
	Las mangueras de entrada de agua no están conectadas correctamente.	Asegúrese de que las mangueras de entrada estén conectadas como es debido (caliente con caliente, fría con fría).
Fugas de agua	Las conexiones de las mangueras de agua no están ajustadas.	Asegúrese de que estén ajustadas las conexiones de las mangueras de entrada en los grifos y la lavadora.
	La conexión de la manguera de desagüe no está firme o la manguera no está ubicada correctamente en el desagüe.	Asegúrese de que la conexión de la manguera de desagüe en la lavadora esté firme y que la manguera de desagüe esté colocada correctamente en la ubicación del desagüe.
	Fugas de agua no determinadas	Llame a un plomero competente.
La lavadora no desagua	La manguera de desagüe no está conectada correctamente a la lavadora.	Vuelva a conectar la manguera de desagüe a la lavadora.
	La manguera de desagüe no está ubicada correctamente.	Para que funcione como es debido, la parte superior de la salida de desagüe deberá estar por lo menos 39" (99 cm) por encima del piso.
	El fregadero o el tubo de desagüe están obstruidos.	Destape el fregadero o el tubo de desagüe.

RUIDO

PROBLEMA	POSIBLE(S) CAUSA(S)	SOLUCIÓN
Sonido de golpeteo	Es posible que la carga de ropa no esté equilibrada.	Haga una pausa en la lavadora y vuelva a distribuir las prendas en la canasta de lavado.
Sonido metálico o de traqueteo	Es posible que haya objetos extraños en la lavadora.	Detenga la lavadora y compruebe que no haya monedas ni llaves.
Chirrido	La lavadora puede estar sobrecargada.	Detenga la lavadora y quite una parte de la carga de lavado.
Vibración	Es posible que la lavadora no esté nivelada.	Verifique que las 4 patas estén firmemente apoyadas en el piso y que la lavadora esté nivelada.

ROPA

PROBLEMA	POSIBLE(S) CAUSA(S)	SOLUCIÓN
Arrugas	Separación incorrecta de la carga de lavado, sobrecarga o lavado a la temperatura equivocada.	Evite sobrecargar la lavadora y no mezcle la ropa pesada con prendas ligeras o delicadas.
Restos de detergente	Es posible que el detergente no se disuelva por completo en el agua extremadamente fría.	Seleccione una temperatura tibia de lavado y asegúrese de que el calentador de agua suministre agua caliente a por lo menos 120 °F (49 °C).
Las prendas se han puesto grisáceas o amarillentas	No se separó la carga de lavado por color.	Separe los colores oscuros de los claros y blancos para evitar que se tiñan.
	No usó suficiente detergente o el nivel de suciedad de la carga de lavado requiere una temperatura de lavado más elevada.	Es posible que las cargas grandes y con mucha suciedad necesiten más detergente y agua más caliente. Consulte las instrucciones del fabricante del detergente para conocer el uso recomendado.
Ropa rota o enganchada	No se preparó la carga de lavado.	Ate los cordones y fajas. Vacíe los bolsillos, cierre las cremalleras, sujete las correas y cierre los ganchos de metal o sujetadores con gancho antes de cargar.
Manchas de blanqueador NOTA: Es posible que las manchas de blanqueador luzcan como puntos decolorados	La ropa tiene contacto directo con el blanqueador.	No vierta ni salpique el blanqueador directamente sobre la ropa. Si usa el depósito y aún ve manchas, pruebe usando blanqueador diluido.
La ropa parece más vieja y gastada	Se está usando un ciclo de lavado incorrecto o la temperatura de agua equivocada.	Siga las instrucciones de cuidado del fabricante de la prenda.

SI NECESITA MÁS AYUDA, VISITE HAIER.COM O COMUNÍQUESE CON LA LÍNEA DE AYUDA AL CONSUMIDOR LLAMANDO AL 1-877-377-3639.

GARANTÍA LIMITADA

SERVICIO EN EL HOGAR

GARANTÍA COMPLETA POR UN AÑO

Durante 12 meses a partir de la fecha de compra original en la tienda, Haier reparará o reemplazará cualquier pieza del aparato sin costo, incluyendo la mano de obra, si la misma falla debido a defectos en los materiales o en la mano de obra.

Haier puede reemplazar o reparar, a su sola discreción, cualquier pieza, subsistema, incluso el producto entero.

El producto debe ser accesible, sin inconvenientes, e instalarse de forma adecuada para recibir el servicio técnico de reparación por parte de la garantía.

GARANTÍA LIMITADA

Después de un año a partir de la fecha de compra original en la tienda, Haier proveerá una pieza sin costo, como se indica a continuación, para reemplazar la pieza mencionada como resultado de defectos en los materiales o en la mano de obra. Haier se hará responsable solamente por el costo de la pieza. Cualquier otro costo tales como la mano de obra, los cargos por viaje, etc., serán responsabilidad del propietario.

Del segundo al quinto año

Haier proveerá la tina exterior de lavado y las piezas de ensamblaje relacionadas con la misma si ésta no logra contener el agua.

Del segundo al séptimo año

Haier proveerá la canasta interior de lavado de acero inoxidable si presentara defectos en los materiales o en la mano de obra.

NOTA: Esta garantía comienza en la fecha de compra de este producto, y el recibo original deberá presentarse al representante autorizado de servicio antes de hacerse las reparaciones bajo la garantía.

Excepciones: Garantía bajo uso de alquiler

90 días en la mano de obra a partir de la fecha de compra original

90 días en las piezas a partir de la fecha de compra original

No es aplicable ninguna otra garantía.

PARA OBTENER SERVICIO BAJO LA GARANTÍA

Póngase en contacto con el centro de servicio autorizado más cercano a su localidad. Todo servicio deberá ser realizado por un centro de servicio autorizado por Haier. Para obtener el nombre y el número de teléfono del centro de servicio autorizado más cercano, llame al 1-877-337-3639.

Antes de llamar, tenga a mano la siguiente información:

Número de modelo y de serie del aparato. El nombre y la dirección del distribuidor en donde compró la unidad y la fecha de compra.

Una descripción clara del problema.

Un comprobante de compra (recibo de compra).

88

Esta garantía cubre servicios para electrodomésticos dentro de los Estados Unidos continental y Canadá y donde esté disponible en Alaska, Hawaii y Puerto Rico.

Lo que no está cubierto bajo esta garantía:

Reemplazo o reparación de fusibles domésticos, cortacircuitos, cableado o plomería.

Un producto cuyo número de serie original haya sido removido o alterado.

Cualquier cargo por servicio que no haya sido identificado específicamente como servicio normal, como puede ser el área o las horas de servicio.

Daños a la ropa.

Daños ocurridos durante el transporte.

Daños ocasionados por la instalación o el mantenimiento inadecuados.

Daños por el uso incorrecto, abuso, accidente, incendio, inundación o fenómenos de la naturaleza.

Daños debidos al servicio efectuado por un distribuidor o centro de servicio que sea diferente del autorizado por Haier.

Daños ocasionados por la corriente, el voltaje o el suministro eléctrico incorrectos.

Daños que resulten de cualquier modificación hecha en el producto, alteración o ajustes no autorizados por Haier.

Ajuste de los controles manejados por el cliente según han sido identificados en el manual del propietario.

Mangueras, perillas, bandejas de pelusa y todos los otros aditamentos, accesorios y piezas desechables.

Cargos por mano de obra, transporte para el servicio y envío para la remoción y el reemplazo de las piezas defectuosas que se efectúen después del período inicial de 12 meses.

Daños ocasionados por un uso diferente al doméstico normal.

Cualquier gasto de transporte y de envío.

ESTA GARANTÍA LIMITADA REEMPLAZA TODAS LAS OTRAS GARANTÍAS, EXPRESAS O IMPLÍCITAS QUE INCLUYAN, ENTRE OTRAS, LAS GARANTÍAS DE COMERCIABILIDAD O DE CAPACIDAD PARA UN PROPÓSITO EN PARTICULAR

El recurso provisto en esta garantía es exclusivo y está otorgado en lugar de cualquier otro recurso.

Esta garantía no cubre daños incidentales o consecuentes, de modo que las limitaciones indicadas anteriormente pueden no aplicarse en su caso. Algunos estados no permiten las limitaciones acerca de cuánto tiempo dura una garantía implícita, de modo que las limitaciones arriba indicadas quizás no le correspondan.

Esta garantía le otorga derechos legales específicos, y es posible que usted tenga otros derechos, los cuales varían de un estado a otro.

Haier America
Wayne, NJ 07470

IMPORTANT

Do Not Return This Product To The Store
If you have a problem with this product, please contact the
"Haier Customer Satisfaction Center" at
1-877-337-3639.

DATED PROOF OF PURCHASE, MODEL #, AND SERIAL #
REQUIRED FOR WARRANTY SERVICE

IMPORTANT

Ne pas Réexpédier ce Produit au Magasin
Pour tout problème concernant ce produit, veuillez contacter
le service des consommateurs "Haier Customer Satisfaction Center" au
1-877-337-3639.

UNE PREUVE D'ACHAT DATEE EST REQUISE POUR BENEFICIER DE LA GARANTIE.

IMPORTANTE

No regrese este producto a la tienda
Si tiene algún problema con este producto, por favor contacte el
"Centro de Servicio al Consumidor de Haier" al
1-877-337-3639 (Válido solo en E.U.A).
NECESITA UNA PRUEBA DE COMPRA FECHADA, NÚMERO DE MODELO
Y DE SERIE PARA EL SERVICIO DE LA GARANTÍA

Made in China
Fabriqué en Chine
Hecho en China

Haier

Haier America
Wayne, NJ 07470

HLPW028AXW
Issued: July 2015

Printed in China

Part # 0030811644