

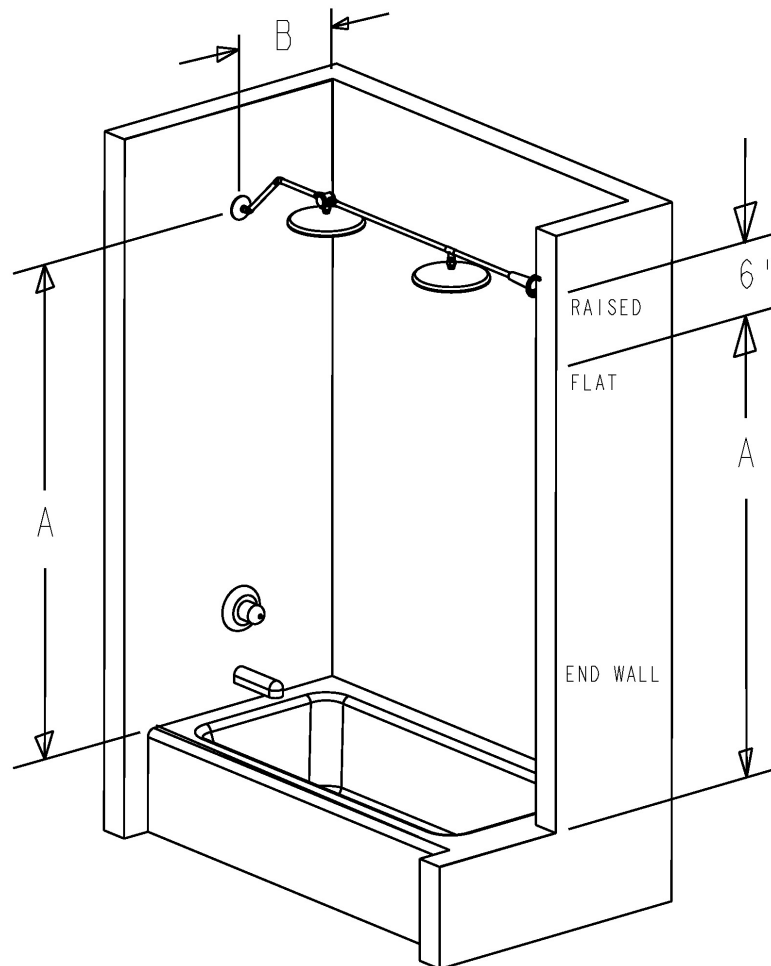
# Rainforest Shower System

## Assembly Instructions

Thank you for purchasing your new Rainforest Shower System. Please review the instructions below and refer to the figures before starting your installation. While this system is designed for the do it yourselfer, hiring a licensed plumber for some applications may be necessary.

### Assembly TJ:

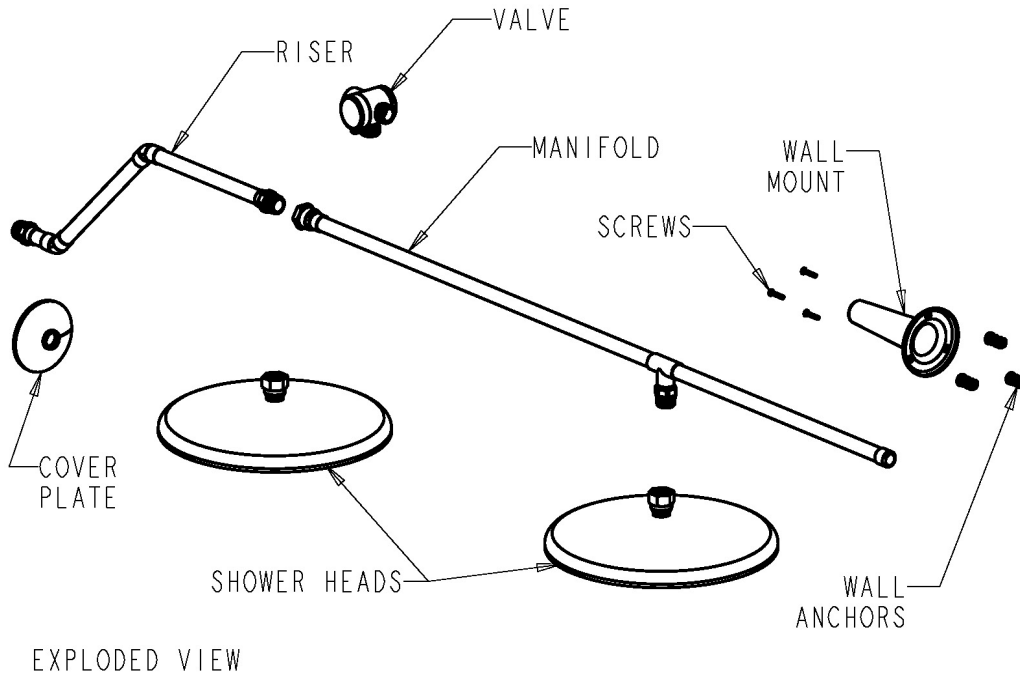
1. Unpack the Rainforest Shower System, and place the components on a padded surface. Make sure you have all the parts shown in the exploded view.
2. Apply Teflon tape to the ends of all male thread fittings. (3-4 wraps min)
3. Remove your current shower head and arm from the shower head outlet. Clean the outlet threads.
4. Take measurements "A" and "B" for the center of the shower outlet. For the flat system, mark "A" and "B" on the end wall. For the raised system, add 6" to measurement "A" and mark the end wall.
5. Using the wall bracket as a template, hold it on center over your mark. Mark the centers for the 3 screws, and install the appropriate wall anchors. Install the wall bracket with the three screws and tighten with hand tools only. Do not over tighten, or use a drill/driver to tighten.
6. Install the riser (flat or raised) into the shower head outlet. For the raised riser, make sure the outlet matches dimension "B". Grip the fittings closest to the shower outlet to tighten.
7. Install the valve onto the riser, note the valve orientation.
8. Insert the capped end of the manifold into the wall bracket, attach the other end to the valve.
9. Make sure your shower connections are vertical, attach the shower heads and cover plate.



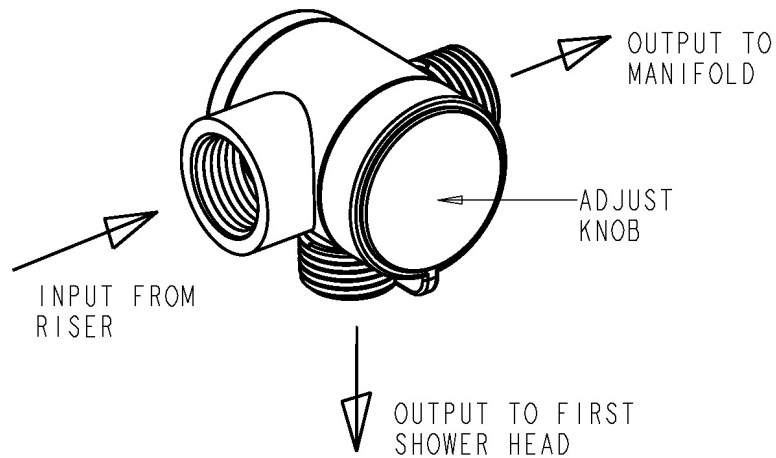
SHOWER STALL CUT-AWAY VIEW

# Rainforest Shower System

## Assembly Instructions



### VALVE ORIENTATION



The Rainforest Shower System is a patent pending product. You can learn more about this product and others at [www.rainforestss.com](http://www.rainforestss.com)

Rainforest Shower Systems  
10001 Patterson Ave, Suite 207  
Richmond, VA 23238  
804-750-1930  
[sales@rainforestss.com](mailto:sales@rainforestss.com)