



184 Charles Street - Malden, MA 02148 - Phone - 781-321-9600 Fax - 781-321-8650

SunSetter Window Awning

Helper Needed

Tools Needed: Electric Drill, 13/64" Drill Bit, 1/8" Drill Bit, Pencil, Philips Screwdriver, Tape Measure, Level, 3/8" Socket and 3" extension, 5mm Allen Wrench, 3/16" Masonry drill bit, 5/16" Masonry drill bit, Hammer

Additional Tools Needed If Inside Operation of Window Awning is Planned: 1/4"x6" Drill Bit (or longer as needed for your outside wall thickness)

Parts Supplied: Hood Unit, Front Bar, 2 Arms, 2 Arm Bracket Covers, 1 Cord Cleat, 1 Cord Pulley, 1 Feed Thru Bushing, 2 Hook Screws (1/4" x 1 3/4"), 2 Hex Bolts (1/4" x 2"), 2 Washers (1/4"), 4 Pan-Head Screws (#8 x 1 1/2"), 4 Flat-Head Screws (#8 x 1), 6 Plastic Wall Anchors

WARNING: FAILURE TO FOLLOW THESE INSTRUCTIONS CAN RESULT IN PERSONAL INJURY! PLEASE READ THESE INSTRUCTIONS IN THEIR ENTIRETY BEFORE ATTEMPTING TO COMPLETE THIS PROCESS.

PLEASE NOTE THAT LEFT AND RIGHT REFERENCES ARE AS YOU ARE FACING YOUR MOUNTING LOCATION.

The SunSetter Window Awning can be operated from either inside or outside your home. You will need 4 1/2" of unobstructed vertical space along the wall for the entire length of your awning.

NOTE: For Inside operation, a hole will need to be drilled through the wall on the left side of the Hood Unit. **When determining the mounting location of your Window Awning it is important to ensure that there will be no obstruction on the inside of the wall for the Pull Cord drill hole.**

Before Starting please familiarize yourself with the components of the awning as shown in figure 1.

NOTE: Be sure to use the actual Hood Unit as the template for locating the hole locations for the Hex Bolts and Hook Screws.

1. Determine the desired location of your window awning and have a helper hold the Hood Unit in position while you ensure it is level. Once level, use a pencil to mark the outline of the slot in the Left and Right Wall Bracket, as shown in Figure 2 and 2a. Remove the Hood Unit from the wall.
2. Starting at the top of either of the outlined slots you made in step 1, with a plumb straight edge, draw a line down the center of each slot from top to bottom as shown in Figure 2a. Repeat for the other side of the awning.

- Starting on the Left side. From the top of the outlined slot, measure down the center line $\frac{1}{4}$ " and mark the location of the left side Hook Screw hole. Repeat for the right side. (See Figure 2a).

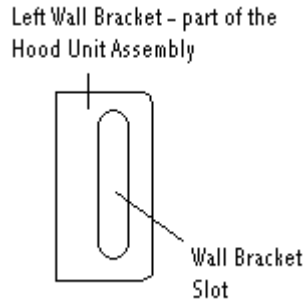


Figure 2:

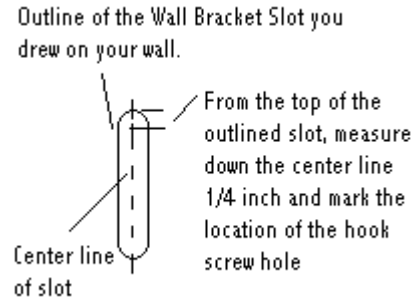


Figure 2a:

- Starting on the Left side. From the bottom of the outlined slot, measure up the center line $\frac{1}{4}$ " and mark the location of the left Hex Bolt hole. Repeat for the right side. (See Figure 2c).

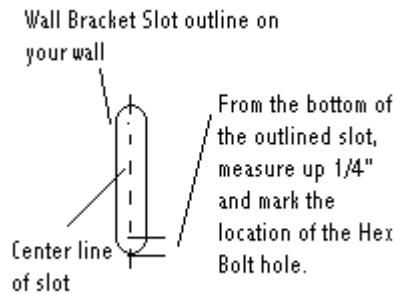


Figure 2c:

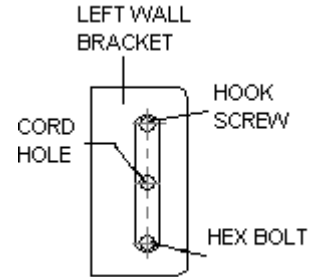


Figure 2d:

- If you plan on operating your Window Awning from inside your home, on the **left side only** of the mounting location, measure the distance from the center of the Hex Bolt location to the center of the Hook Screw location and make a new mark for the Cord Hole on the center line half way between these two points, as shown in figure 2d.

NOTE: If installing Window Awning on wood frame walls w/wood, vinyl, stucco or aluminum siding, proceed with steps 6a and 7a. If installing Window Awning into masonry, brick or concrete walls, proceed to steps 6b and 7b.

Wood frame walls w/wood, vinyl, stucco or aluminum siding.

- Using a $\frac{13}{64}$ " drill bit, pre-drill holes at both left and right locations for the Hook Screws as shown in Figure 2a. Install a Hook Screw into each of the Hook Screw locations. Be sure to leave $\frac{1}{4}$ " of the Hook Screw exposed between the wall and the hooked end of the Hook Screw, see Figure 3.

- 7a. Install the Hood Unit onto the Hook Screws and ensure it is level. Once level, double check the locations of the Hex Bolt marks, making new marks if needed. Once final Hex Bolt locations are determined, **remove** the Hood Unit and use a 13/64" drill bit to pre-drill holes in both left and right locations for the Hex Bolts as shown in Figure 2c. **Do not** install Hex Bolts at this time.

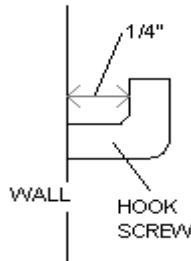


Figure 3:

Masonry, brick or concrete walls.

- 6b. Using a 3/16" masonry drill bit. Pre-drill pilot holes 1 3/4" deep into the walls at both the left and right locations for the Hook Screws as shown in Figure 2a. With a 5/16" masonry drill bit, enlarge the holes 1" deep. Insert plastic masonry anchors into the holes, large side out. Install the Hook Screws into the Hook Screw locations. Be sure to leave 1/4" of the hook screw exposed between the wall and the hooked end of the Hook Screw, see Figure 3.
- 7b. Install the Hood Unit onto the Hook Screws and ensure it is level. Once level, double check the locations of the Hex Bolt marks, making new marks if needed. Once final Hex Bolt locations are determined, **remove** the Hood Unit and using a 3/16" masonry drill bit, pre-drill pilot holes 1 3/4" deep into the walls at both the left and right locations for the Hex Bolts as shown in Figure 2c. With a 5/16" masonry drill bit, enlarge the holes 1" deep. Insert plastic masonry anchors into the holes, large side out. **Do not** install Hex Bolts at this time.
8. If awning is to be operated from **INSIDE** the home, refer to Inside Operation on Page 6. If **OUTSIDE** operation, continue to Step 9.
9. Install the Hood Unit onto Hook Screws and ensure it is level.

NOTE: It is Important that you check the clearance between the wall bracket and the end of the hook screws, you want the wall bracket to fit snugly against the end of each hook screw. If you can slide the wall bracket back and forth on the hook screw, remove the Hood Unit and tighten the hook screw one full turn. Install the Hood Unit and check the clearance again. Repeat this procedure until wall brackets fit snugly against the hook screws.

10. With Hood Unit level, install the Hex Bolts and washers into the Hex Bolt locations on both the left and right side of the awning using a 3/8" socket with 3" or greater extension.
11. Insert the Front Bar into the open end of the fabric and center so that an equal amount of the bar is exposed on either end. Allow the fabric to completely unroll.

12. To determine the location for the Arm Bracket measure down 24" from the bottom edge of each Hood Unit Wall Bracket and mark the horizontal as shown in Figure 4.
13. Using a straight edge aligned with the edge of the Hood Unit, ensure the straight edge is level and mark the vertical where it crosses the horizontal as shown in figure 4. Repeat for both sides of awning.

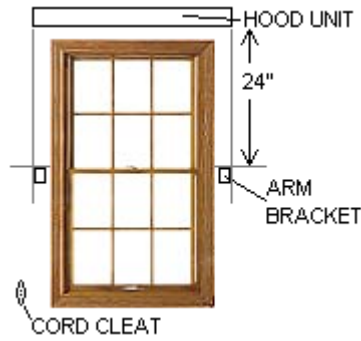


Figure 4:

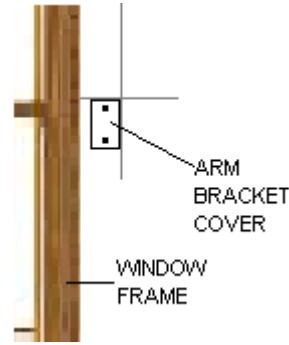


Figure 5:

14. Align the Arm Bracket Cover within the horizontal and vertical as shown in Figure 5. Ensure the Cover is plumb and mark both hole locations. For wood, vinyl, stucco or aluminum siding, remove the Arm Bracket Cover and pre-drill both hole locations with a 1/8" drill bit. For Brick or concrete walls, using a 1/4" masonry drill bit, drill holes approximately 1 1/2" deep. Insert plastic wall anchors into holes, and using a hammer, tap flush with the surface of the concrete. Repeat for the other side of awning.
15. Slide the Arm Bracket Cover over the Arm Bracket and orient the arm on the wall so the Rubber Front Bar Insert is as shown in Figure 6. Ensure Bracket is plumb and insert the upper pan-head screw. Repeat for the other side of the awning.
16. Slide the Rubber Front Bar Insert into the front bar. While holding the Front Bar, tighten the Insert using a 5mm Allen wrench. Repeat for the other side of awning.
17. Determine location of the Cord Cleat on the wall and mark the hole locations. For wood, vinyl, stucco or aluminum siding pre-drill the hole locations using a 1/8" drill bit. For brick or concrete walls, using a 1/4" masonry drill bit, drill holes approximately 1 1/2" deep. Insert plastic wall anchors into holes, and using a hammer, tap flush with the surface of the concrete. Install the Cord Cleat using the (#8 x 1) flat head screws provided. For best results, install the Cord Cleat near the bottom left corner of your window as in Figure 4.

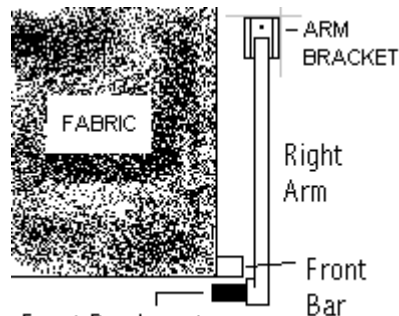


Figure 6: Front Bar Insert

WARNING: WHEN OPERATING, STAND TO THE SIDE OF THE WINDOW AWNING AS ARMS ARE SPRING LOADED AND COULD FALL FORWARD RAPIDLY IF NOT OPERATED PROPERLY.

18. Pull the Window Awning Cord so that the awning fabric rolls up completely under the Hood Unit and tie off cord on cleat.
19. Install the bottom pan-head screws into the Arm Brackets.
20. Test Awning for proper operation.

For Inside Operation:

In order for your Window Awning to be operated from inside your home a hole will need to be drilled through the wall before the Hood Unit is installed.

IMPORTANT: Before drilling, record the distance of the cord hole mark made in Step 5 from the window frame and transfer this measurement to wall inside house. **Ensure inside location is free of obstruction and will allow needed surface space for the installation of the Cord Pulley.**

- A. From outside, drill the hole using a ¼ x 6” drill bit (or longer as needed for your outside wall thickness).
- B. Insert the Feed Thru Bushing in the hole on outside wall.
- C. Cut the end of the cord to remove the Cord Grip and feed the cord through the hole using a coat hanger or knitting needle or a similar object.
- D. From inside, the cord should be fed through the back of the Cord Pulley and allowed to hang over the Pulley mechanism, see Figure 7. Fit the Pulley onto the wall making sure the cord opening fits in the drilled hole and mark the upper and lower hole locations.

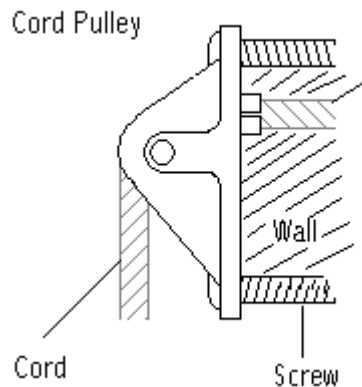


Figure 7:

- E. Remove the Pulley and pre-drill the upper and lower hole locations. Install the Cord Pulley onto the wall using two #8 x 1” flat head screws.
- F. Your Helper should now install Hood Unit onto Hook Screws on outside wall and ensure it is level.
- G. Pull cord through and ensure there is no obstruction. Reattach Cord Grip on end of cord.

- H. Determine location of the Cord Cleat on inside wall and mark the hole locations. Pre-drill the hole locations using a 1/8" drill bit. Install the Cord Cleat using two #8 x 1" flat-head screws provided. For best results, install the Cord Cleat near the bottom right corner of your window.

CONTINUE TO STEP 10 ON PAGE 4.

Cord Pulley - Inside Use Only

Awning Hood Unit

Awning Fabric

Cord Cleat

Fabric Front Bar

Right Arm Assembly

Left Arm Assembly

Arm Bracket Cover

Arm Bracket Cover

Figure 1

