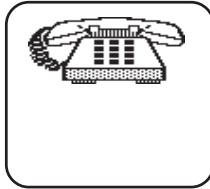




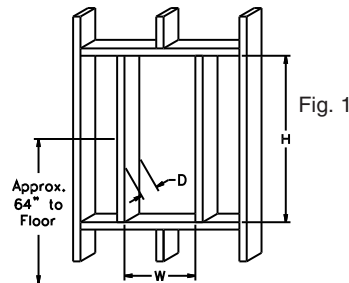
MODEL: _____,
 RECESS MOUNTED, STEEL
 MEDICINE CABINET



	W	H	D
Wall Opening	14	18	3 1/2
Overall Size	21	31	

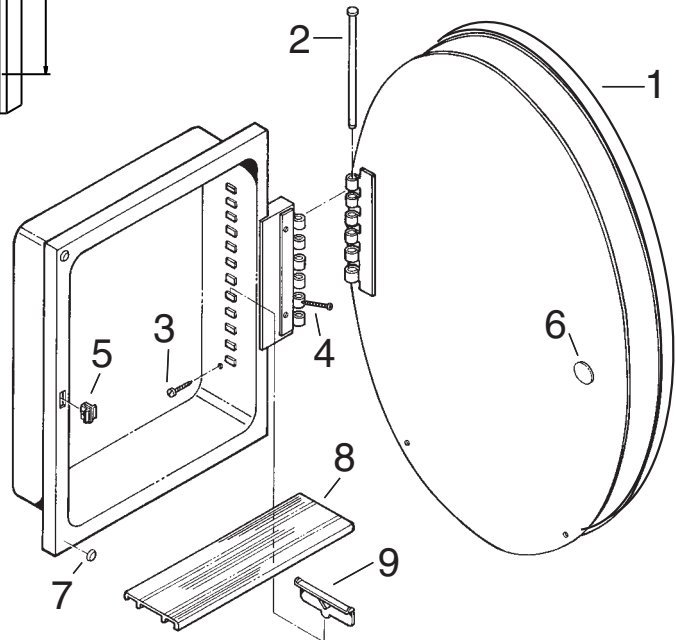
- Carefully remove all packing material. Place shelves, mirror and hardware package aside until needed.
- Determine desired location of cabinet on wall. Mark wall to show wall opening size (see dimension chart). Generally, the recommended height to the center of the cabinet is 64" from the floor. (Fig. 1)
- Cut wall opening, being careful not to damage the surrounding wall surface. Wall studs, plumbing or electrical lines that interfere must be removed or relocated. Insert framing to support all plaster board edges.
- Insert cabinet into wall opening in plumb and centered position. Use a carpenter's level and shim corners of cabinet if necessary. Secure to wall studs through the four (4) mounting holes inside cabinet (screws provided).
- Drive two (2) 2 1/2" screws (from parts bag) through holes in hinge, drywall and into wall framing for additional mirror support.
- Remove the hinge pin from the cabinet hinge - position the mirror to the body and secure with hinge pin.
- Remove striker plate (#6) from parts bag - remove the paper backing and position with face against the magnet. Close door and apply pressure against door to seat striker plate to door.
- Place shelf brackets at desired height. Place shelves on brackets.
- Remove bumpers from hardware bag and position to body. (Refer to Service Parts drawing - Key No. 7 for bumper locations.)

- Use only clean warm water and a clean, soft, lint-free cloth.
- DO NOT USE cleaners that contain strong solutions of ammonia, vinegar, or chlorine.
- DO NOT USE powdered cleansers or steel wool.
- Never spray cleaning agent directly on mirror, especially on exposed edges and mirror backing. Apply cleaner to soft cloth and wipe mirror. Dry mirror thoroughly.
- Keep mirror dry. A well ventilated bathroom is important.



KEY NO.	PART NO.	DESCRIPTION
1	P137000 A97016008 A97016009	Door Assm - Honey Oak Door Assm - Maple Door Assm - White
2	98009022P	Hinge Pin, Painted
3	*	Mounting Screws, #8 x 1 1/2" (4 req.)
4	7132	Mirror Support Screw #8 x 2 1/2" (2 req.)
5	7106	Magnet
6	A97015555	Strike Plate
7	7189	Bumper (2 req.)
8	7005	Shelf, plastic (2 req.)
9	**A99050235 3330	Shelf, glass (2 req.) Shelf Bracket (4 req.)

* Standard hardware - may be purchased locally.
 Order replacement parts by "PART NO." - NOT by "KEY NO."
 **Models 1370M and 1370WH



Broan-NuTone warrants to the original consumer purchaser of its product that such products will be free from defects in materials or workmanship for a period of one year from the date of original purchase.
 THERE ARE NO OTHER WARRANTIES, EXPRESS OR IMPLIED, INCLUDING, BUT NOT LIMITED TO, IMPLIED WARRANTIES OF MERCHANTABILITY OR FITNESS FOR A PARTICULAR PURPOSE.
 During this one-year period, Broan-NuTone will, at its option, repair or replace, without charge, any product or part which is found to be defective under normal use and service.
 THIS WARRANTY DOES NOT EXTEND TO FLUORESCENT LAMP STARTERS AND TUBES. This warranty does not cover (a) normal maintenance and service or (b) any product or parts which have been subject to misuse, negligence, accident, improper maintenance or repair (other than by Broan-NuTone), faulty installation or installation contrary to recommended installation instructions.
 The duration of any implied warranty is limited to the one-year period as specified for the express warranty. Some states do not allow limitation on how long an implied warranty lasts, so the above limitation may not apply to you.
 BROAN-NUTONE'S OBLIGATION TO REPAIR OR REPLACE, AT BROAN-NUTONE'S OPTION, SHALL BE THE PURCHASER'S SOLE AND EXCLUSIVE REMEDY UNDER THIS WARRANTY. BROAN-NUTONE SHALL NOT BE LIABLE FOR INCIDENTAL, CONSEQUENTIAL OR SPECIAL DAMAGES ARISING OUT OF OR IN CONNECTION WITH PRODUCT USE OR PERFORMANCE.
 Some states do not allow the exclusion or limitation of incidental or consequential damages, so the above limitation or exclusion may not apply to you.
 This warranty gives you specific legal rights, and you may also have other rights, which vary from state to state. This warranty supersedes all prior warranties.
 To qualify for warranty service, you must (a) notify Broan-NuTone at the address or telephone number stated below, (b) give the model number and part identification and (c) describe the nature of any defect in the product or part. At all time of requesting warranty service, you must present evidence of the original purchase date.